

Product Specifications

Customer	
Model Name	NTWP270 V613
Model Number	NTWP270 <u>XXSXX</u>-SI<u>XXXXXX</u>-<u>XXXX</u>-613

* X = A~Z, 0~9 (Depends on Options.)



Records of Revision			
Vision	Modifying	Old Description	New Description
v2501.1	Preliminary Specification		

Features

- ★ 27 inch Panel, 1920x1080 (FHD) Resolution
- ★ VA Wide Viewing Angle Technology (178°/178°)
- ★ Intel® 13th Generation Core i Series CPU
- ★ DDR4 8G RAM, Max to 32G
- ★ GbE LAN Port x2
- ★ 128G SSD, Max to 1T
- ★ Realtek Audio HAD Codec,
- ★ RS485 Port x1, RS232 Port x6
- ★ USB 3.0 x6
- ★ Narrow Bezel, True Flat Projected Capacitive Touch Screen
- ★ 7H Hardness Tempered Cover Glass
- ★ 10 points Multi-touch, Supports NEXTECH Dedicated Stylus
- ★ Metal Cabinet with Diverse Combine Options
- ★ Made in Taiwan, 3 Years Warranty
- ★ Optional High Brightness 1000nits, for Outdoor Environment
- ★ Optional Anti-Glare&UV/Antibacterial/Privacy Filter Surface Treatment



PSE



BSMI



RoHS



CE



ISO9001



FCC



Desktop Stand



Wall Mounting



Open-frame Brackets



Panel Mount

System Specifications

CPU	Intel® Core i U Series Processor
Memory	DDR4 SO-DIMM, Max. Capacity 32G
Network	2 * Intel® GbE LAN Chip (10/100/1000 Mbps, RJ45)
Storage	SATA3.0 7P Connector (With 1 * SATA Power Wafer)x1 M.2 Key-M Slot (PCIe x4/ SATA, Default PCIE 4x, Support PCIe x4 NVMe, 2280) x1
Sound Chip	Realtek Audio HAD Codec
Rear I/O	HDMI x1, DP x1 RJ45 LAN Ports x2 USB 3.0 x6 RS485 x1, RS232 x6 Line-Out + MIC 2in1 3.5mm Jack x1
Operating Temp.	0~60°C
Storage Temp.	-20~75°C
Power Input	12VDC-in

Display Specifications

Screen Diagonal	685.6mm (27.0 inch)	Display Mode	VA Type, Normally Black
Display Area	597.6x336.2 mm	Backlight Unit	LED (white LED)
Resolution	1920x1080 (FHD)	Viewing Angle (L/R, U/D)	178°/178° (CR=10)
Contrast Ratio	3000:1	Response Time	5 msec.
Display Ratio	16:9	Backlight Lifetime	>30,000 Hours
Support Colors	16.7M Colors	Operating Temp.	0~50°C
Pixel Pitch	264x264 um	Storage Temp.	-20~60°C

Display Options

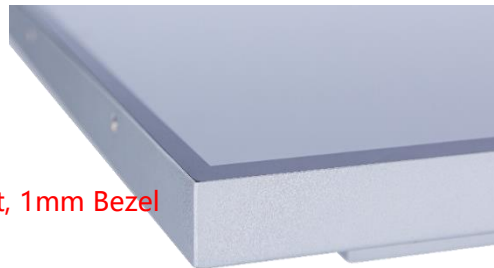
Brightness			
	Brightness	Environment	Model Name
Standard	300nits	General	NTWP270NXSXX-SIXXXXXX-XXXX-613
Option	1000nits	Outdoor Environment	NTWP270AXSXX-SIXXXXXX-XXF2-613

Touch Options

Touch Screen		
	Description	Model Name
Standard	Projected Capacitive Touch	NTWP270XPSXX-SIXXXXXX-XXXX-613
Option	Non-Touch	NTWP270X0SXX-SIXXXXXX-XXXX-613

Projected Capacitive Touch

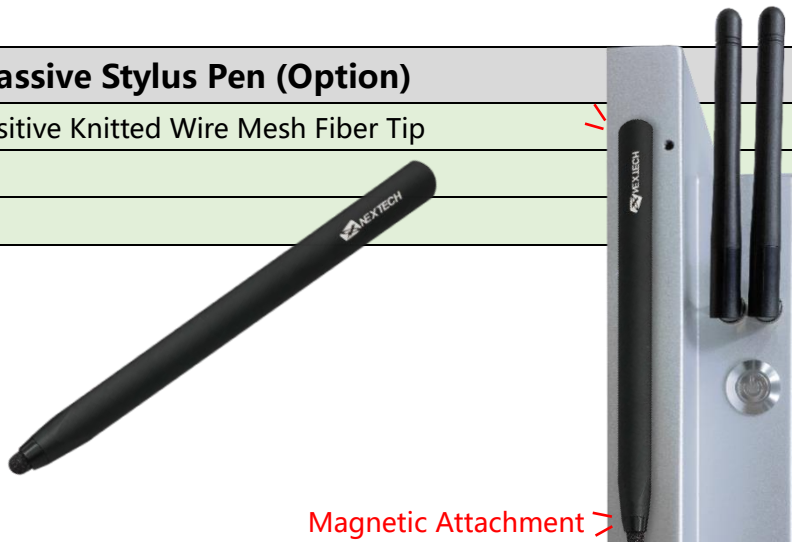
Touch Technology	Projected Capacitive	Thickness of Cover Lens	2.9±0.2mm
Allowed Touch Points	10 points	Hardness of Cover Lens	7H
Transparency	≥87%	IK Ratings	IK07
Accuracy	99.00%		



* True Flat, 1mm Bezel

Surface Treatment		
	Description	Model Name
Standard	(none)	NTWP270XXS00-SIXXXXXX-XXXX-613
Option 1	Anti-Glare&Anti-UV Coating	NTWP270XXSGG-SIXXXXXX-XXXX-613
Option 2	Antibacterial (AB Film)	NTWP270XXSAB-SIXXXXXX-XXXX-613
Option 3	Anti-Spy (AS Film)	NTWP270XXSFF-SIXXXXXX-XXXX-613

Passive Stylus Pen (Option)	
Technology	Passive High Sensitive Knitted Wire Mesh Fiber Tip
Size of tip	6mm
Magnetic Attachment	Yes



Magnetic Attachment >

System Options

CPU		
	Item	Model Name
Standard	Core i3-1315U	NTWP270XXSXX-SI31XXX-XXXX-613
Option 1	Core i5-1335U	NTWP270XXSXX-SI 51 XXX-XXXX-613
Option 2	Core i7-1355U	NTWP270XXSXX-SI 71 XXX-XXXX-613

Memory		
	Item	Model Name
Standard	DDR4 SO-DIMM 8G	NTWP270XXSXX-SIXX8XX-XXXX-613
Option 1	DDR4 SO-DIMM 16G	NTWP270XXSXX-SIXX A XX-XXXX-613
Option 2	DDR4 SO-DIMM 32G	NTWP270XXSXX-SIXX B XX-XXXX-613
Option 3	DDR4 SO-DIMM 64G	NTWP270XXSXX-SIXX C XX-XXXX-613

Storage		
	Item	Model Name
Standard	SSD 128G	NTWP270XXSXX-SIXXXS1-XXXX-613
Option 1	SSD 256G	NTWP270XXSXX-SIXXX S2 -XXXX-613
Option 2	SSD 512G	NTWP270XXSXX-SIXXX S3 -XXXX-613
Option 3	SSD 1T	NTWP270XXSXX-SIXXX H1 -XXXX-613
Option 4	SSD 128G + SATA HDD 1T	NTWP270XXSXX-SIXXX SH -XXXX-613

System Options (Continued)

Material of Cabinet		
	Description	Model Name
Standard	SECC	NTWP270XXSXX-SIXXXXXX-SXXX-613
Option 1	Stainless Steel	NTWP270XXSXX-SIXXXXXX-LXXX-613
Option 2	Aluminum	NTWP270XXSXX-SIXXXXXX-AXXX-613

Color of Cabinet		
	Description	Model Name
Standard	Silver	NTWP270XXSXX-SIXXXXXX-XSXX-613
Option 1	White	NTWP270XXSXX-SIXXXXXX-XWXX-613
Option 2	Black	NTWP270XXSXX-SIXXXXXX-XBXX-613
Options	Other Colors	NTWP270XXSXX-SIXXXXXX-XXXX-613

* X = A~Z, 0~9 (Depends on Color)

Cooling Fan		
	Description	Model Name
Standard	Fanless	NTWP270XXSXX-SIXXXXXX-XX0X-613
Option	7 Blades/4000r.p.m/28.3dB	NTWP270XXSXX-SIXXXXXX-XXFX-613

Power Input		
	Description	Model Name
Standard	12VDC-in, with AC/DC Adapter	NTWP270XXSXX-SIXXXXXX-XXX2-613
Option	100~240V AC, C14 AC Power Socket	NTWP270XXSXX-SIXXXXXX-XXXA-613

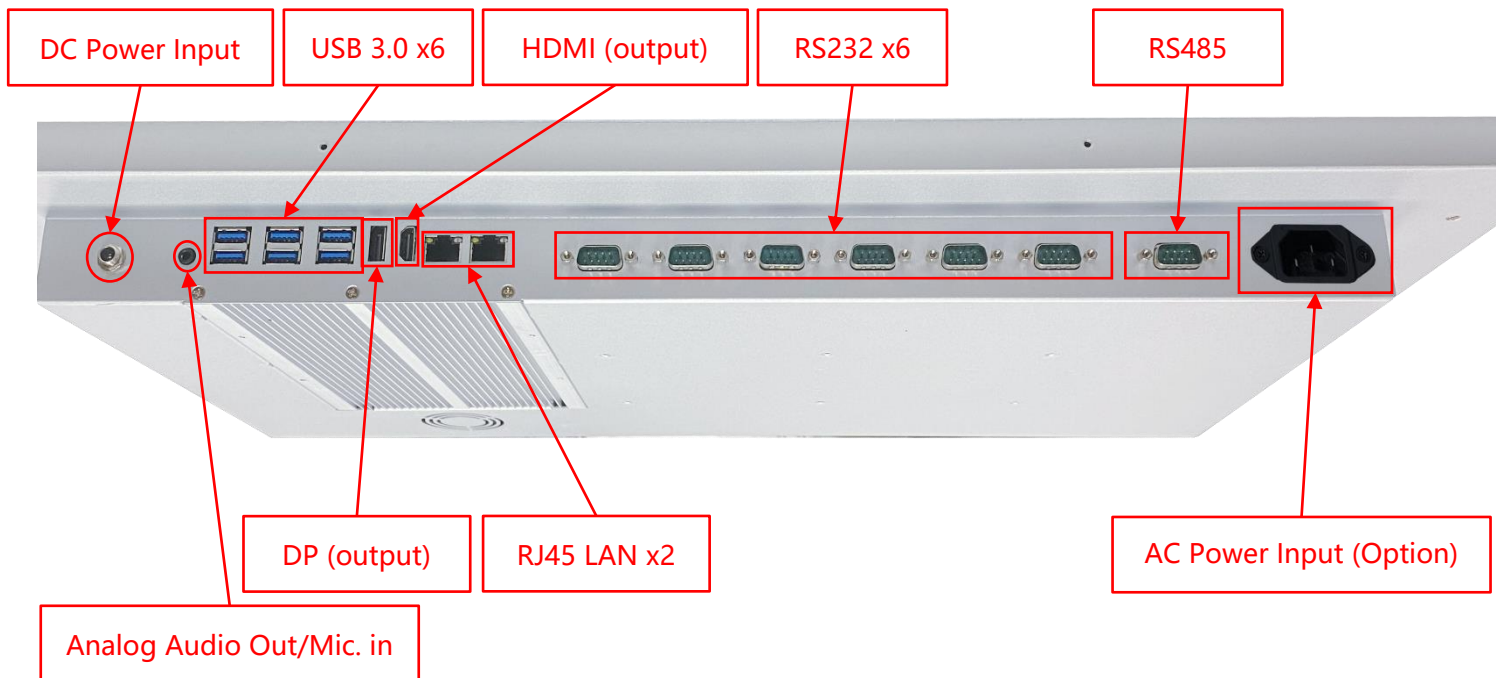
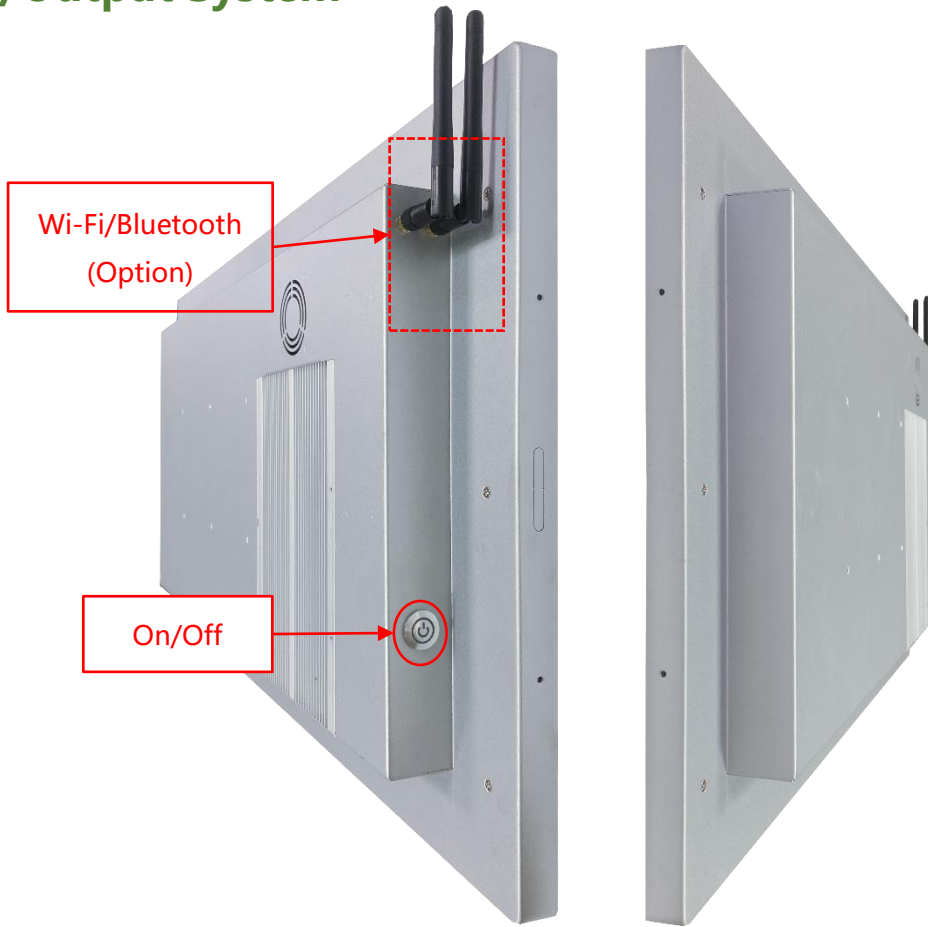


DC-in



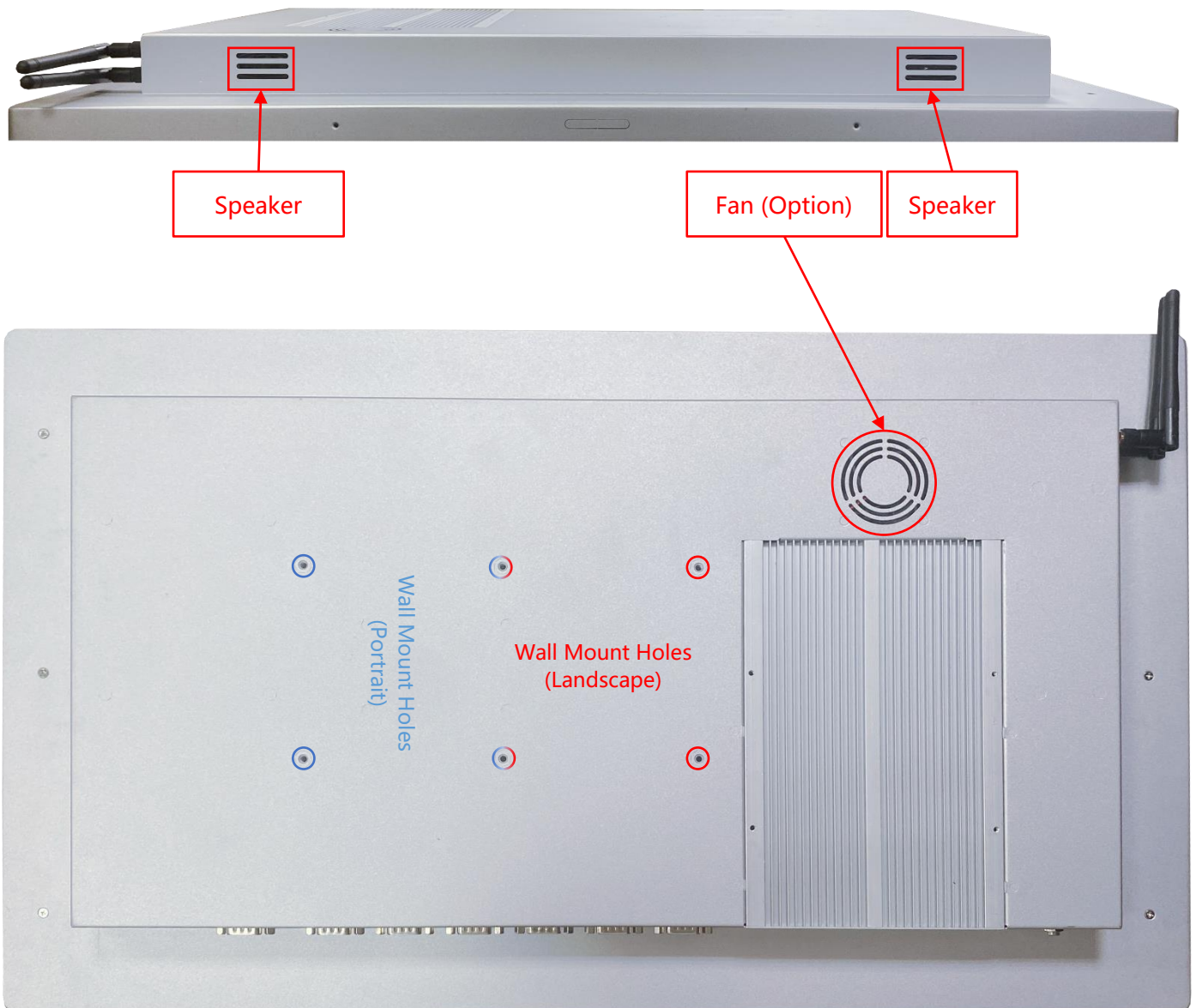
AC-in

Input /Output System



Nextech WP Series 27" Industrial All-in-one Touch PC

NTWP270 V613



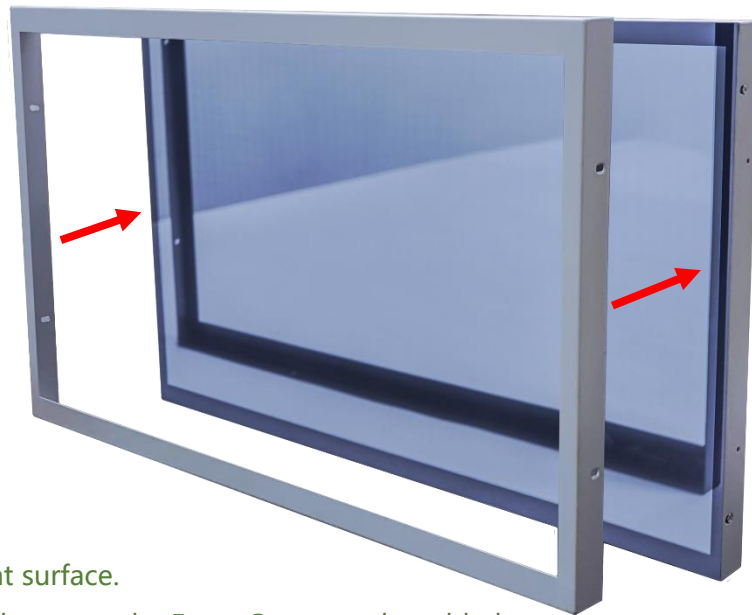
Input / Output	Connectors	Input / Output	Connectors
HDMI (Output)	1	Analog Audio Out/Mic. in	1
DP (Output)	1	Speakers	2W x2
USB 3.0	6	DC Power Input	1
RS485	1	AC Power Input	Option
RS232	6	Wi-Fi/Bluetooth & Antenna	Option
LAN (RJ45)	2		

Camera & Microphone (Option)



Lens	1/3.06" CMOS Image sensor
Max. Resolution	12MP 3840x3104
Default Resolution	3840x2160 (UHD/4K)
Pixel Size	1.12um x1.12um
Device Name	12Mp WebCam
Auto Focus	Yes
Focus Distance	10 CM~Infinity
Input Voltage	5V
Microphone Sensitivity	-26 dBFS
Frequency	2.4 MHz
Data Latency	18~60 nsec

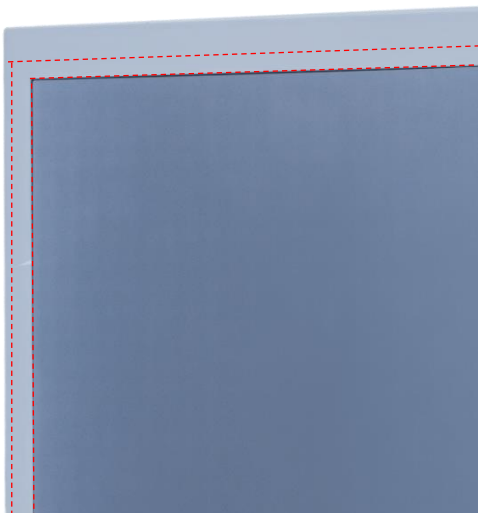
Front Cover (Option)



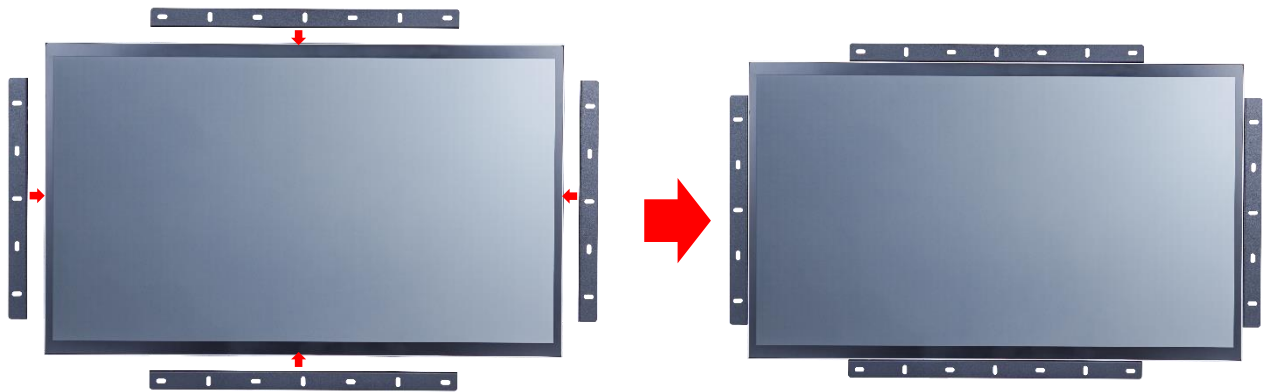
The standard **NTWP270** is true flat surface.
To protect the corners of the touch screen, the Front Cover can be added.



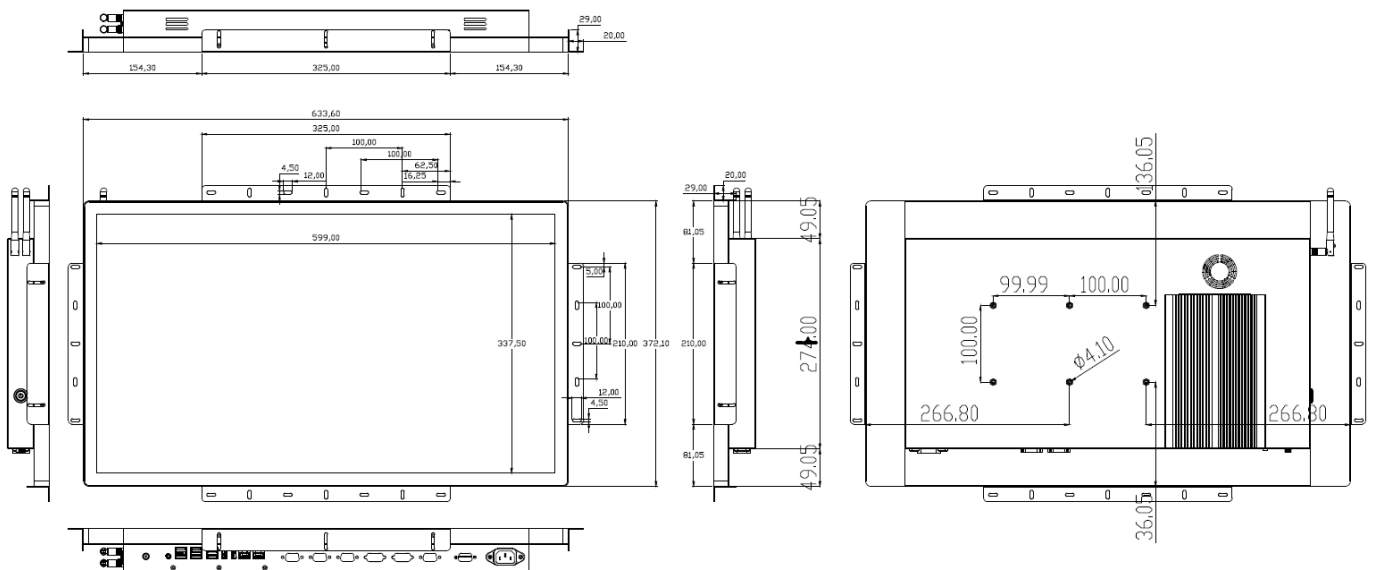
The watertight gasket can be added between the Front Cover and **NTWP270**.
It complies **IP65** on front.



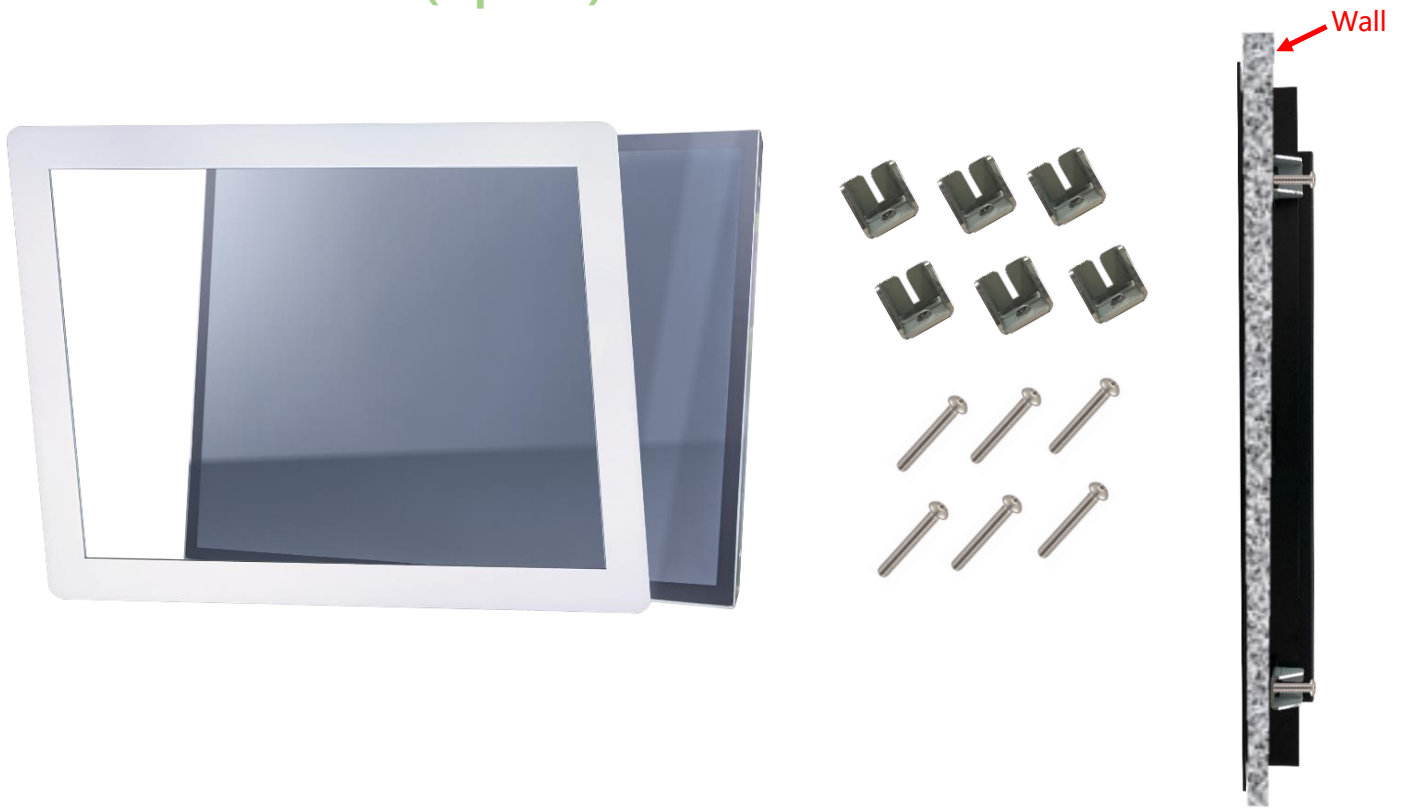
Open-frame Brackets (Option)



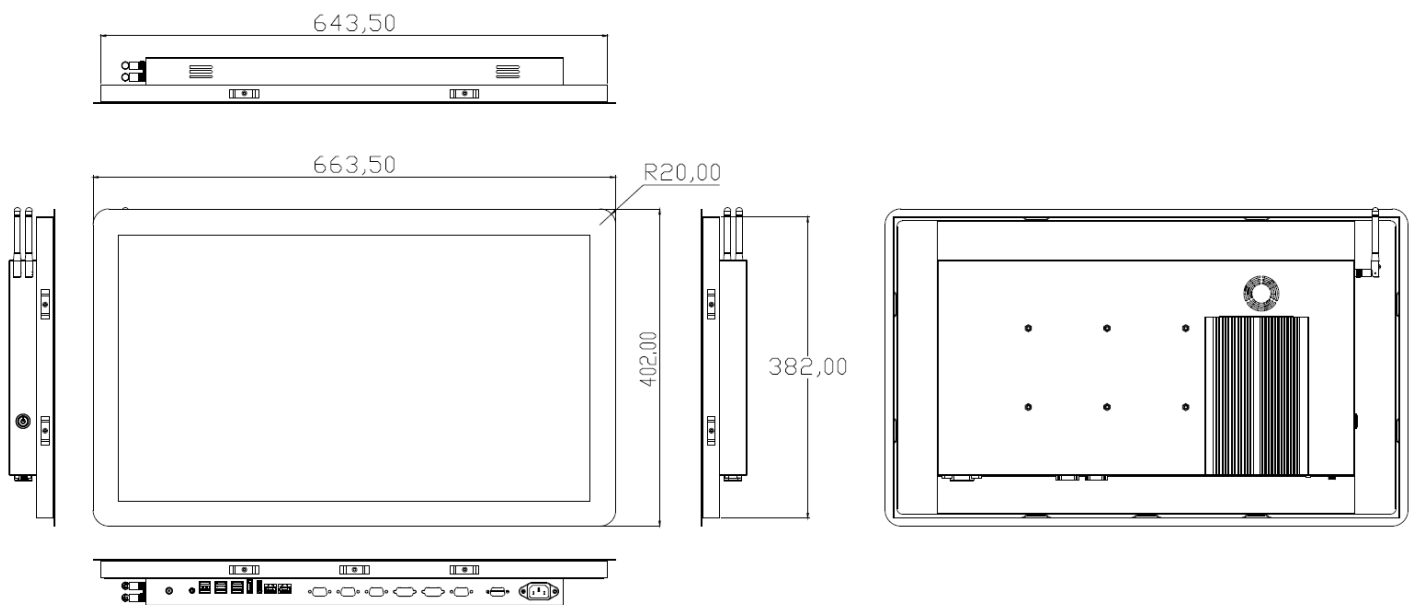
Dimension for Installing with Open-frame Brackets

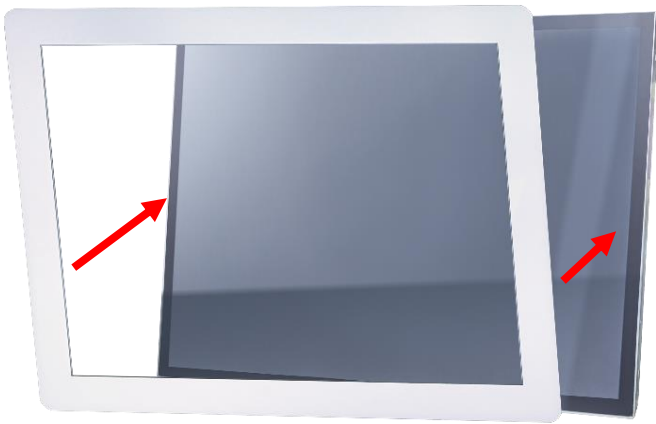


Panel Mount Kits (Option)

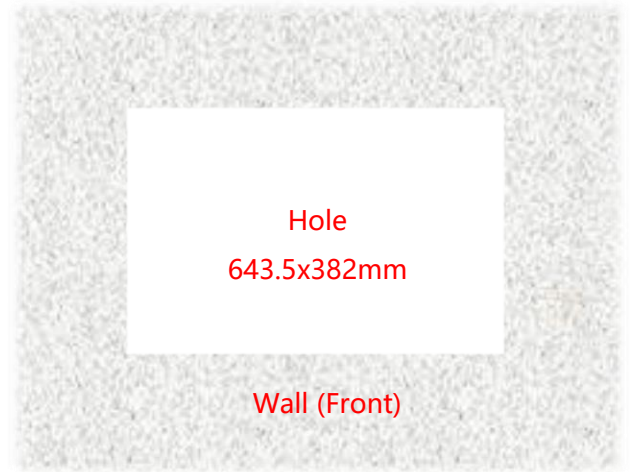


Dimension for Installing with Panel Mount Kits

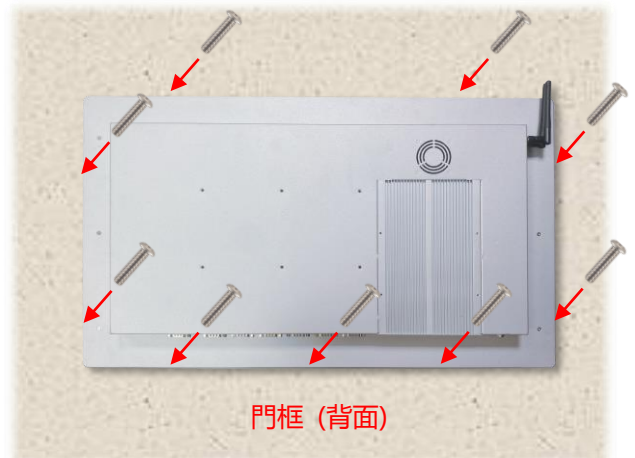




Step 1: Assemble the front module with the screen body. (This step is pre-assembled at the factory.)



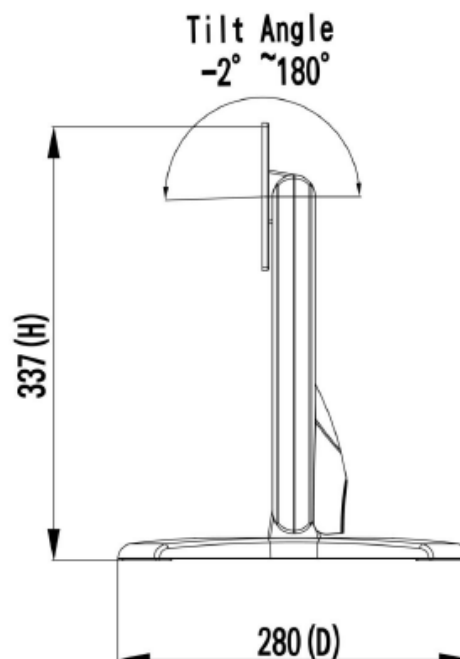
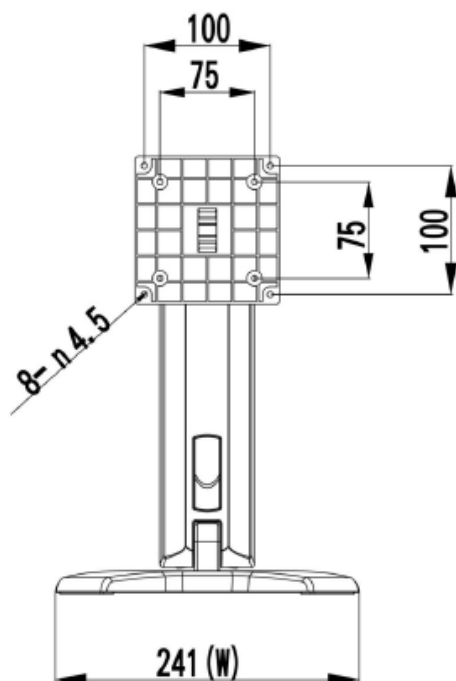
Step 2: Insert the screen from the front into the pre-cut opening.



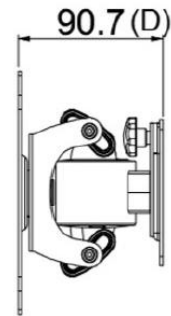
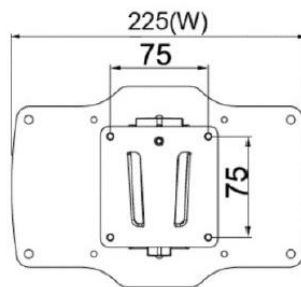
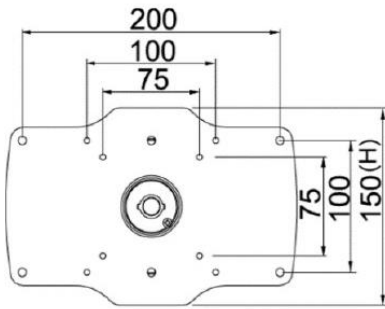
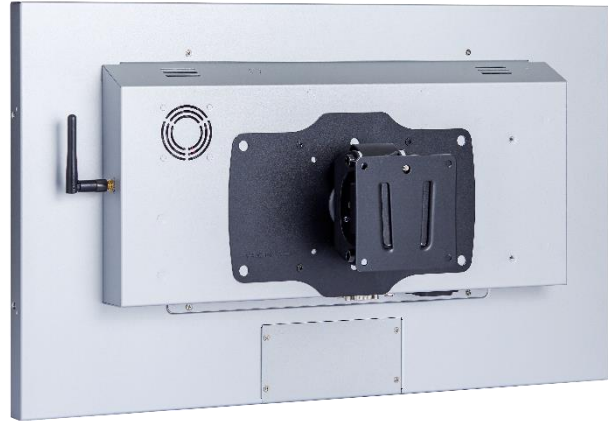
Step 3: Attach the clips from the back and secure with screws. (Up to 9 clips can be installed as needed or per positional limitations.)

Desktop Stand (Option)

Item	B Stand	Part No.	DST-0B003/DST-1B003
Mounting Pattern	100x100 / 75x75 mm	Dimension (WxHxD) mm	241(H)x275(W)x337(D) mm
Material	Steel/Plastic/Aluminum	Net Weight	2.1 KG
Tilt (Hinge)	-2° ~+180°	Support Max. Weight	20 KG



Wall Mount Bracket (Option)



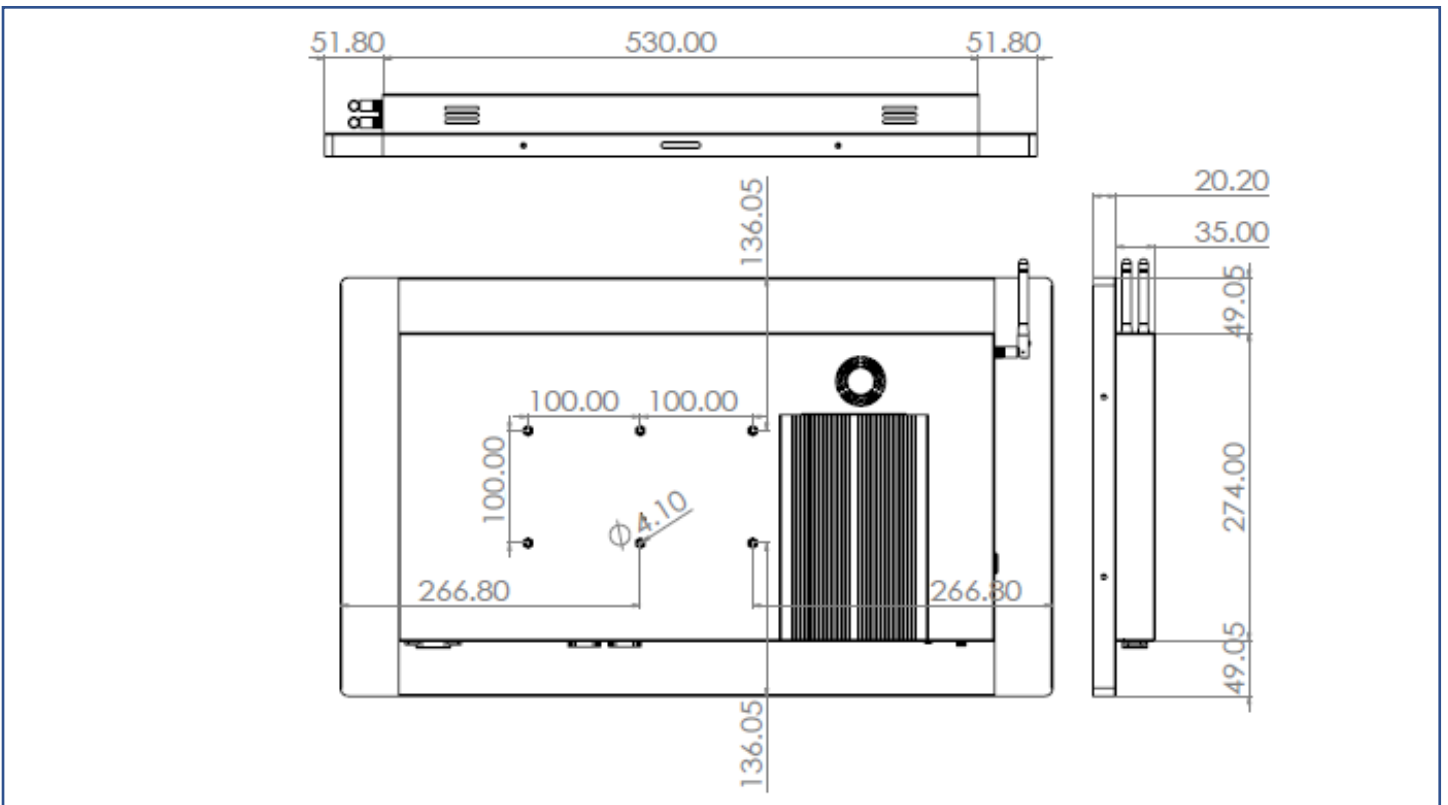
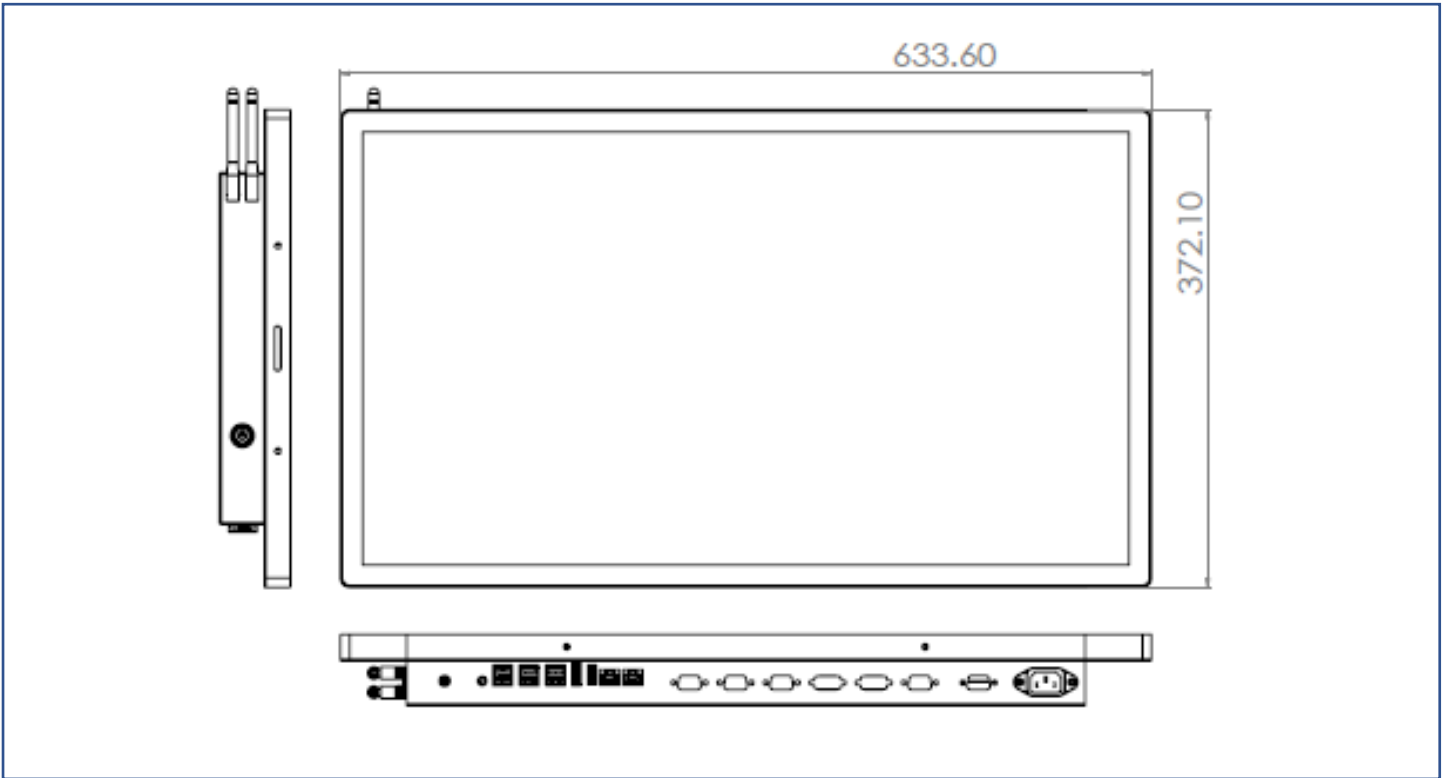
Packing Information



Unit Carton Size	806x173x530 mm
Unit N. Weight	≤8.7 KG
Unit G. Weight	≤11.0 KG
Units per Pallet	18 units
Pallet Size	120x100x179 CM

Physical Specifications

Dimension	633.6x372.1x55.2(±2)mm	Net Weight	≤8.7 KG
VESA Mounting	100x100 mm	Gross Weight	≤11.0 KG



Cosmetic Inspection Standard

Display Area Allowance			
Defect description	Defective Specifications	Allowance	Remarks
Dot Defect (including dark dot, particles, bubbles, pits, dust, foreign matter)	$D \leq 0.2\text{mm}$	Ignored	D=Diameter
	$0.2 < D \leq 0.7\text{mm}$	$N \leq 5$	N=Quantity
	$0.7 < D \leq 1\text{mm}$	$N \leq 3$	
	$D > 1\text{mm}$	$N \leq 0$	
Linear Defect (including scratches, fluff, particles)	$W \leq 0.15\text{mm}$	Ignored	W=Width
	$0.15 < W \leq 0.5\text{mm}, L \leq 15\text{mm}$	$N \leq 2$	L=Length
	$W > 0.5\text{mm}$ or $L > 15\text{mm}$	NG	

* Visual inspection distance: 60cm, 90 degree (same for front/side/back)

Front Appearance Allowance (Including Coating)			
Defect description	Defective Specifications	Allowance	Remarks
Dot Defect (including particles, bubbles, pits...etc.)	$D \leq 0.7\text{mm}$	Ignored	D=Diameter
	$0.7 < D \leq 1.5\text{mm}$	$N \leq 3$	N=Quantity
	$D > 1.5\text{mm}$	$N \leq 0$	
Linear Defect (including scratches, fluff, particles)	$W \leq 0.2\text{mm}, L \leq 15\text{mm}$	Ignored	W=Width, L=Length
	$0.2 < W \leq 0.7\text{mm}, L \leq 15\text{mm}$	$N \leq 1$	
	$W > 0.7\text{mm}$ or $L > 15\text{mm}$	NG	

Side / Back Appearance Allowance (Including Coating)			
Defect description	Defective Specifications	Allowance	Remarks
Dot Defect (including particles, bubbles, pits...etc.)	$D \leq 1.5\text{mm}$	Ignored	D=Diameter
	$1.5 < D \leq 3\text{mm}$	$N \leq 8$	N=Quantity
	$D > 3\text{mm}$	$N \leq 2$	
Linear Defect (including scratches, fluff, particles)	$W \leq 0.8\text{mm}, L \leq 15\text{mm}$	Ignored	W=Width, L=Length
	$0.8 < W \leq 1.5\text{mm}, L \leq 15\text{mm}$	$N \leq 5$	
	$W > 1.5\text{mm}$ or $L > 15\text{mm}$	NG	



Display Area
(Red Area)



Front Appearance (Red Area)



Back Appearance