

Product Specifications

Customer	
Model Name	NTWP270 V500
Model Number	NTWP270<u>XXSXX</u>-J6<u>XXXXXX</u>-<u>XXFX</u>-500

* X = A~Z, 0~9 (Depends on Options.)



Records of Revision			
Vision	Modifying	Old Description	New Description
v2001.1	Preliminary Specification		
v2001.2	Revise Model Number of Surface Film		
v2001.3	Revise Option of CPU		
V2001.4	Replace the Wall Mount		
v2001.5	1. Defining the Standards for Surface 2. Format Updated		



Features

- ★ 27" 1920x1080 (FHD) Resolution
- ★ VA Wide Viewing Angle Technology (178°/178°)
- ★ Intel® Skylake/ Kaby Lake CPU
- ★ DDR4 8G RAM (Max. 32G)
- ★ Serial ATAIIIx1, mSATA/mPCIe x1
- ★ True Flat Projected Capacitive Touch Screen, 7H Hardness Tempered Cover Glass
- ★ 10 points Multi-touch , Supports Active Stylus
- ★ Metal Cabinet with Diverse Combine Options
- ★ Made in Taiwan, 3 Years Warranty, designed for Harsh Environments
- ★ Optional High Brightness 1500nits, for Outdoor Environment
- ★ Optional Antibacterial/Anti-Glare/AR/AF/AS Surface Treatment



Desktop Stand



Side Brackets



Wall Mounting



PSE



BSMI



FCC



CE



RoHS



ISO9001



System Specifications

CPU	Intel® Skylake, Kaby Lake Celeron/Core I series CPU
Memory	DDR4 SO-DIMM x2, Max. 32G
Storage	SATA x1, mSATA/mPCIe x1
GPU	Intel® HD Graphics
Sound Chip	Realtek ALC662 Audio CODEC
Network	Intel Gigabit LAN, 2 * RJ45 ports

Display Specifications

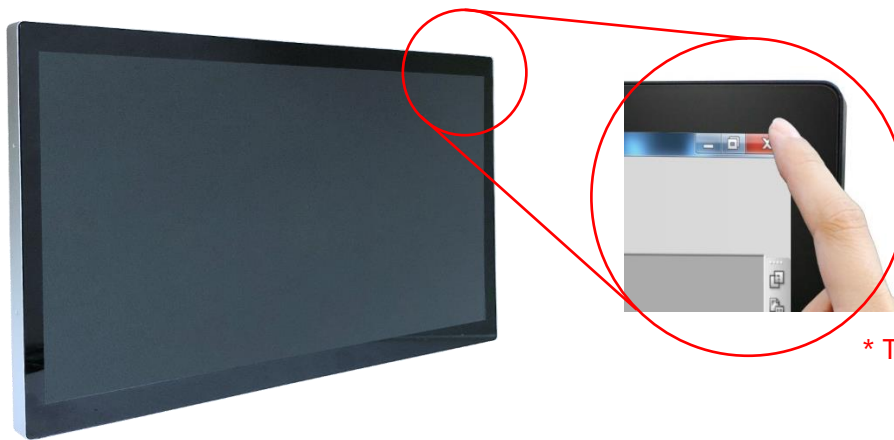
Screen Diagonal	685.6mm (27.0 inch)	Display Mode	VA Type, Normally Black
Display Area	597.6x336.2 mm	Backlight Unit	LED (white LED)
Resolution	1920x1080 (FHD)	Viewing Angle (L/R, U/D)	178°/178° (CR=10)
Contrast Ratio	3000:1	Backlight Lifetime	>30,000 Hours
Display Ratio	16:9	Operating Temp.	0~50°C
Support Colors	16.7M Colors	Storage Temp.	-20~60°C
Pixel Pitch	264x264 um	Surface Treatment	Anti-glare, Hardness 3H
Response Time	5 msec.		

Display Options

Brightness			
	Brightness	Environment	Model Name
Standard	300nits	General	NTWP270NXSXX-J6XXXXX-XXFX-500
Option 1	1000nits	Outdoor Environment	NTWP270AXSXX-J6XXXXX-XXFX-500
Option 2	1500nits	Sunlight Readable	NTWP270FXSXX-J6XXXXX-XXFX-500

Touch Options

Projected Capacitive			
Model Name	NTWP270 <u>X</u> <u>P</u> <u>S</u> <u>X</u> <u>X</u> -J6 <u>X</u> <u>X</u> <u>X</u> <u>X</u> <u>X</u> - <u>X</u> <u>X</u> <u>F</u> <u>X</u> -500		
Touch Technology	Projected Capacitive	Thickness of Cover Lens	2.0±0.2mm
Allowed Touch Points	10 points	Hardness of Cover Lens	7H
Transparency	≥87%	IK Ratings	IK07
Accuracy	99.00%		



* True Flat, 1mm Bezel

Non-Touch	
Model Name	NTWP270 <u>X</u> <u>0</u> <u>S</u> <u>X</u> <u>X</u> -J6 <u>X</u> <u>X</u> <u>X</u> <u>X</u> <u>X</u> - <u>X</u> <u>X</u> <u>F</u> <u>X</u> -500

Surface Treatment Options		
	Description	Model Name
Standard	(none)	NTWP270<u>X</u><u>X</u><u>S</u><u>00</u>-J6<u>X</u><u>X</u><u>X</u><u>X</u><u>X</u>-<u>X</u><u>X</u><u>F</u><u>X</u>-500
Option	Anti-Glare Coating	NTWP270 <u>X</u> <u>X</u> <u>S</u> <u>GG</u> -J6 <u>X</u> <u>X</u> <u>X</u> <u>X</u> <u>X</u> - <u>X</u> <u>X</u> <u>F</u> <u>X</u> -500
Option	Antibacterial (AB Film)	NTWP270 <u>X</u> <u>X</u> <u>S</u> <u>AB</u> -J6 <u>X</u> <u>X</u> <u>X</u> <u>X</u> <u>X</u> - <u>X</u> <u>X</u> <u>F</u> <u>X</u> -500
Option	Anti-Glare +UV-Cut (AG+UV Film)	NTWP270 <u>X</u> <u>X</u> <u>S</u> <u>GU</u> -J6 <u>X</u> <u>X</u> <u>X</u> <u>X</u> <u>X</u> - <u>X</u> <u>X</u> <u>F</u> <u>X</u> -500
Option	Anti-Glare +Fouling/Fingerprint (AG+AFP Film)	NTWP270 <u>X</u> <u>X</u> <u>S</u> <u>GP</u> -J6 <u>X</u> <u>X</u> <u>X</u> <u>X</u> <u>X</u> - <u>X</u> <u>X</u> <u>F</u> <u>X</u> -500
Option	Anti-Reflective +Fouling/Fingerprint (AR+AFP Film)	NTWP270 <u>X</u> <u>X</u> <u>S</u> <u>RP</u> -J6 <u>X</u> <u>X</u> <u>X</u> <u>X</u> <u>X</u> - <u>X</u> <u>X</u> <u>F</u> <u>X</u> -500
Option	Anti-Glare +Reflective +Fouling/Fingerprint (AG+AR+AFP Film)	NTWP270 <u>X</u> <u>X</u> <u>S</u> <u>GR</u> -J6 <u>X</u> <u>X</u> <u>X</u> <u>X</u> <u>X</u> - <u>X</u> <u>X</u> <u>F</u> <u>X</u> -500
Option	Anti-Spy (AS Film)	NTWP270 <u>X</u> <u>X</u> <u>S</u> <u>SF</u> -J6 <u>X</u> <u>X</u> <u>X</u> <u>X</u> <u>X</u> - <u>X</u> <u>X</u> <u>F</u> <u>X</u> -500



System Options

CPU		
	Item	Model Name
Standard	Intel® Core i3-7100U	NTWP270XXSXX-J631XXX-XXFX-500
Option 1	Intel® Core i5-7300U	NTWP270XXSXX-J653XXX-XXFX-500
Option 2	Intel® Core i7-7600U	NTWP270XXSXX-J671XXX-XXFX-500
Option 3	Intel® Skylake Celeron 3855U	NTWP270XXSXX-J6C3XXX-XXFX-500

Memory		
	Item	Model Name
Standard	DDR4 SO-DIMM 8G	NTWP270XXSXX-J6XX8XX-XXFX-500
Option 1	DDR4 SO-DIMM 16G	NTWP270XXSXX-J6XXAXX-XXFX-500
Option 2	DDR4 SO-DIMM 32G	NTWP270XXSXX-J6XXBXX-XXFX-500

Storage		
	Item	Model Name
Standard	SSD 128G	NTWP270XXSXX-J6XXXS1-XXFX-500
Option 1	SSD 256G	NTWP270XXSXX-J6XXXS2-XXFX-500
Option 2	SSD 512G	NTWP270XXSXX-J6XXXH5-XXFX-500
Option 3	SATA HDD 1T	NTWP270XXSXX-J6XXXH1-XXFX-500

System Options (Continued)

Material of Cabinet		
	Description	Model Name
Standard	SECC	NTWP270XXSXX-J6XXXXX-<u>S</u>FX-500
Option 1	Stainless Steel	NTWP270XXSXX-J6XXXXX- <u>L</u> FX-500
Option 2	Aluminum	NTWP270XXSXX-J6XXXXX- <u>A</u> FX-500

Color of Cabinet		
	Description	Model Name
Standard	Silver	NTWP270XXSXX-J6XXXXX-<u>X</u>SFX-500
Option 1	White	NTWP270XXSXX-J6XXXXX- <u>X</u> WFX-500
Option 2	Black	NTWP270XXSXX-J6XXXXX- <u>X</u> BFX-500
Options	Other Color	NTWP270XXSXX-J6XXXXX- <u>X</u> FX-500

* X = A~Z, 0~9 (Depends on Color)

Power Input		
	Description	Model Name
Standard	12VDC-in(2.1φ), with 12V Adapter	NTWP270XXSXX-J6XXXXX-<u>XX</u>F<u>3</u>-500
Option	100~240V AC, C14 AC Power Socket	NTWP270XXSXX-J6XXXXX- <u>XX</u> F <u>A</u> -500

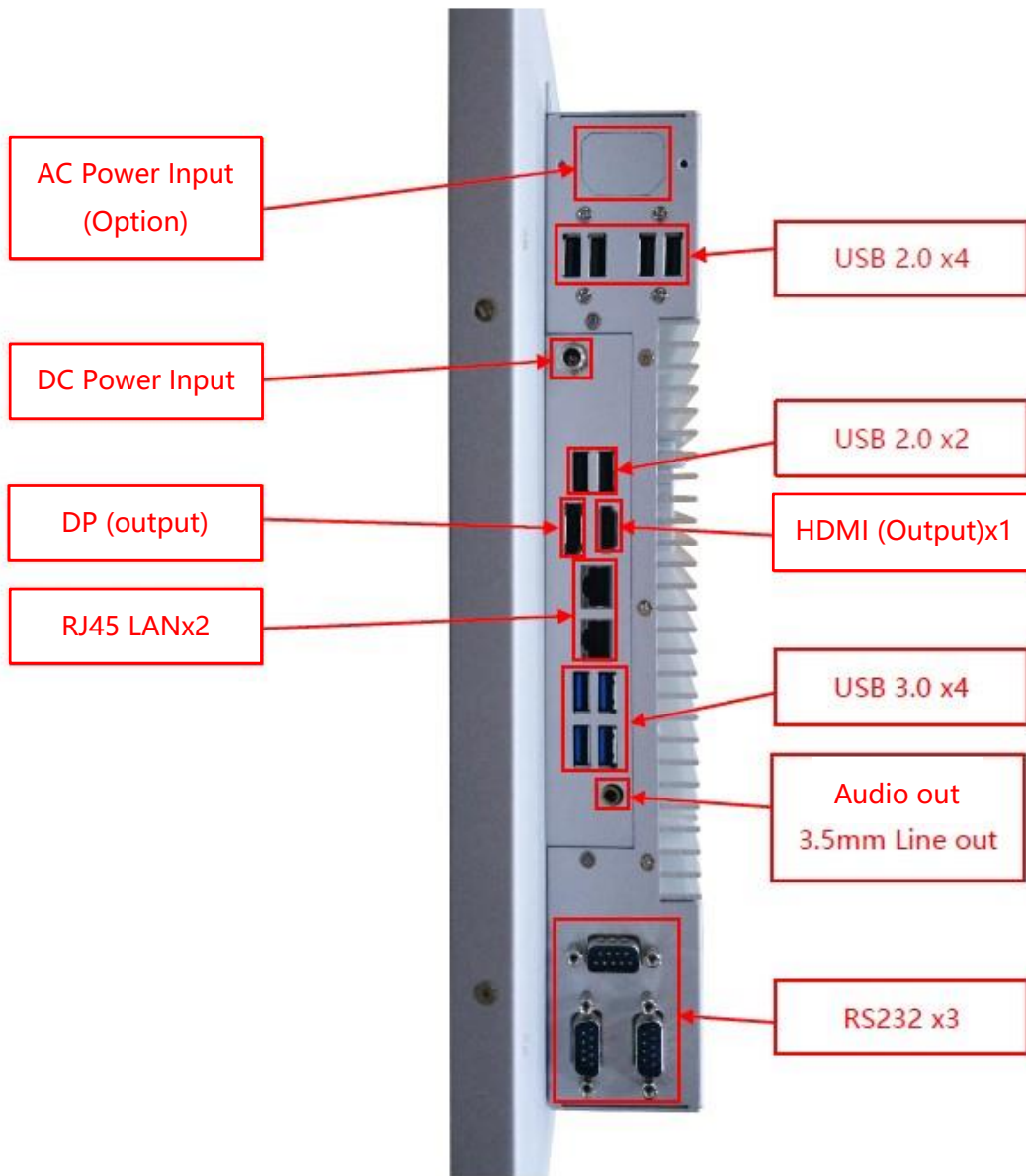


DC-in, Locking Jack



AC-in, C14 Plug

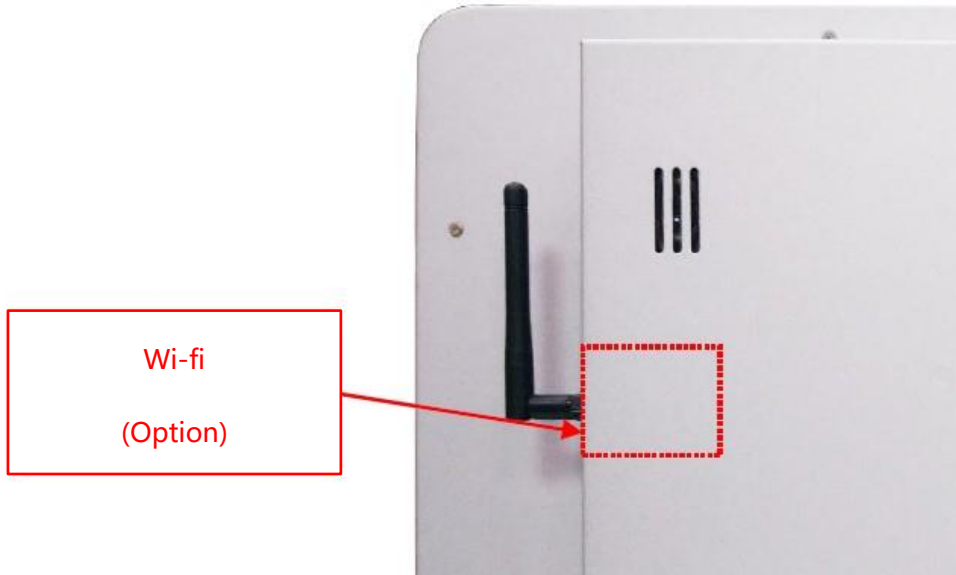
Input /Output System



Input / Output	Connectors	Input / Output	Connectors
HDMI (Output)	1	USB 3.0	4
DP (Output)	1	USB 2.0	6
Audio Output /Mic Input (3.5mm)	1	RS232	3
DC Power Input	1	LAN (RJ45)	2
AC Power Input	Option	Wi-Fi/Bluetooth & Antenna	Option
Speakers	2W x2		

Other Options

Wireless Network (Option)	
Spec	Wi-Fi a/b/g/n/ac, Dual Mode Bluetooth 2.1/2.1+EDR,3.0,3.0+HS,4.0 (BLE) (Wi-Fi+BT4.0)



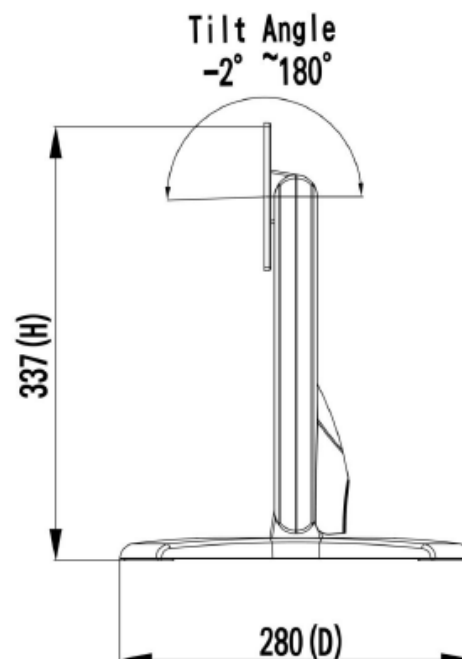
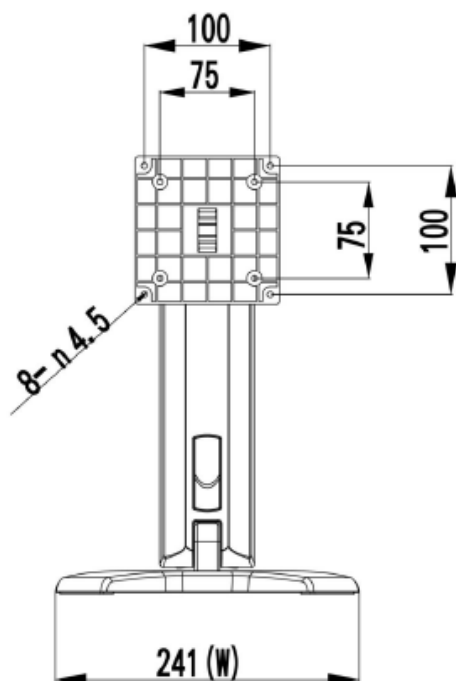
Active Stylus (Option)

Technology	Active Capacitive Coupled
Working Frequencies	90~250 KHZ
Pressure Level	256~1024 Levels
Side Buttons	2 Side Buttons (Eraser, Barrel)
Active Tip Force	5~25g
Max. Tip Force	400g

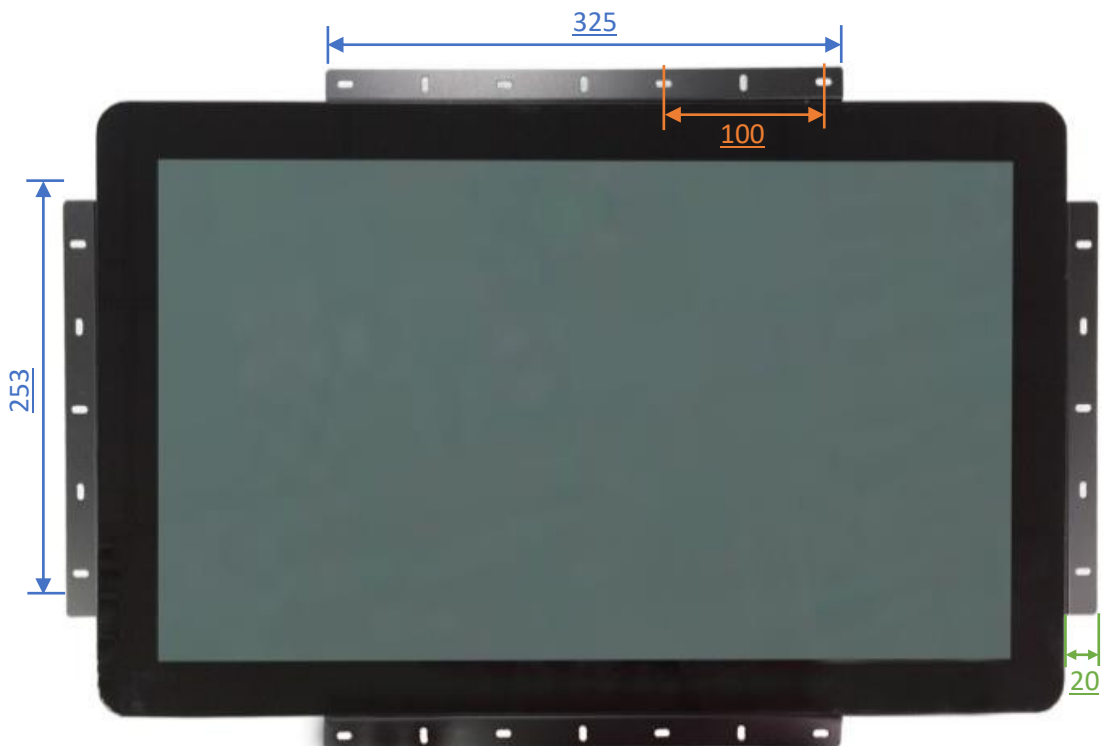
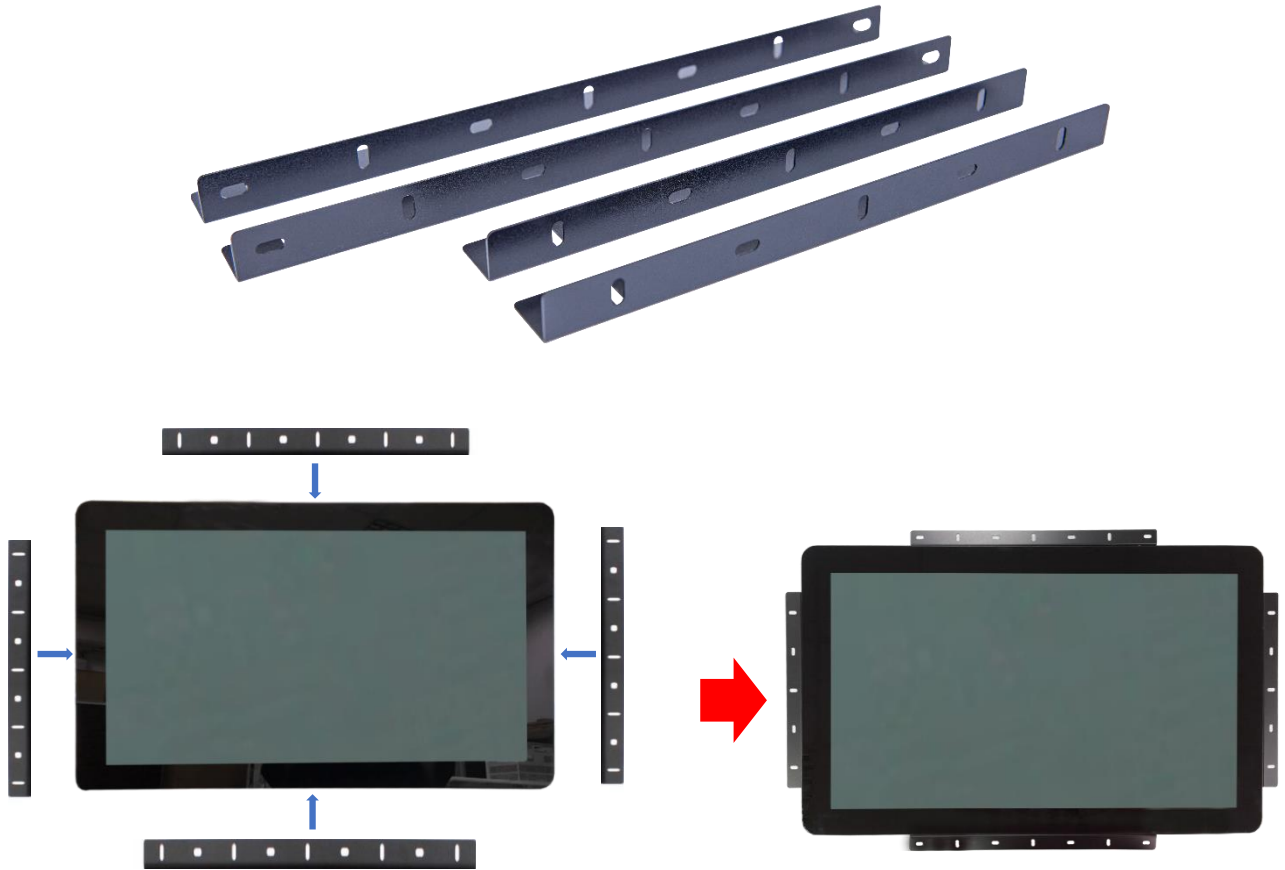


Desktop Stand (Option)

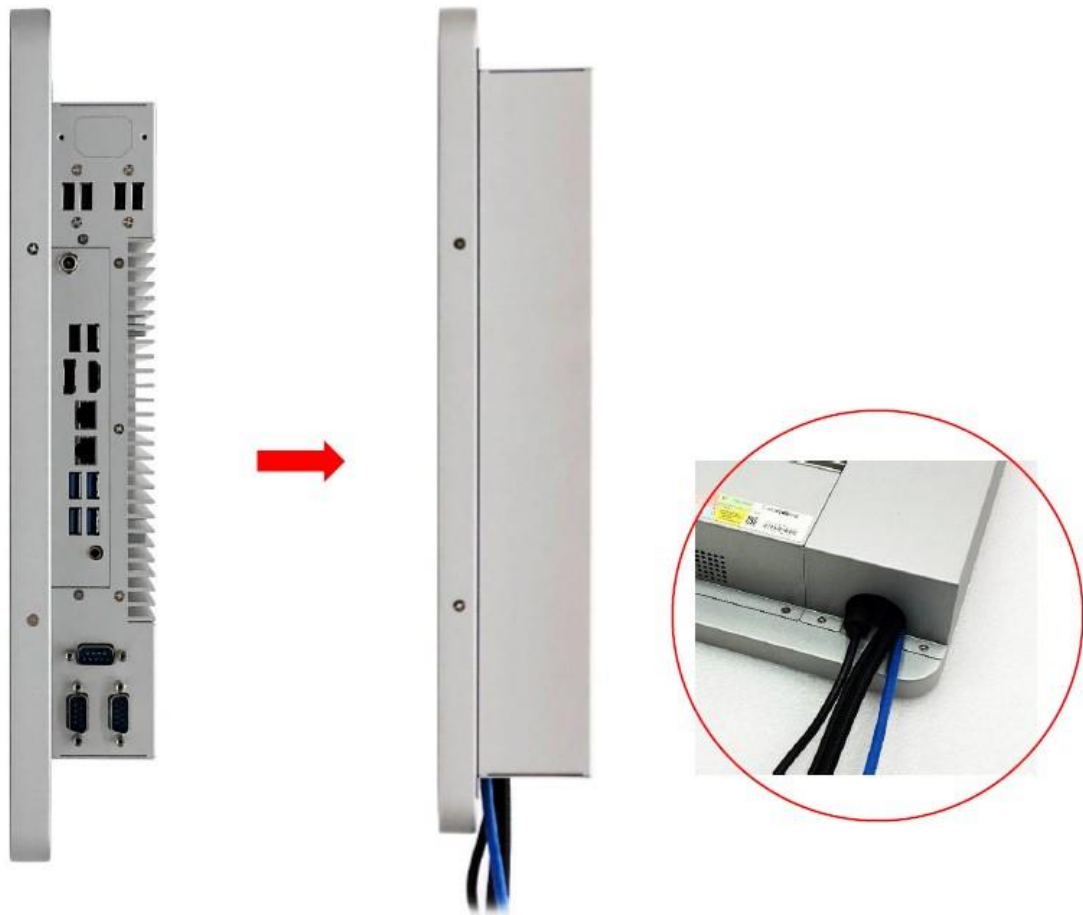
Item	B Stand	Part No.	DST-0B003/DST-1B003
Mounting Pattern	100x100 / 75x75 mm	Dimension (WxHxD)	203x275x227 mm
Material	Steel/Plastic/Aluminum	Net Weight	1.8 KG
Tilt (Hinge)	-2° ~+180°	Support Max. Weight	15 KG



Open-frame Brackets (Option)



Connector Protective Cover (Option)



Front Cover (Option)



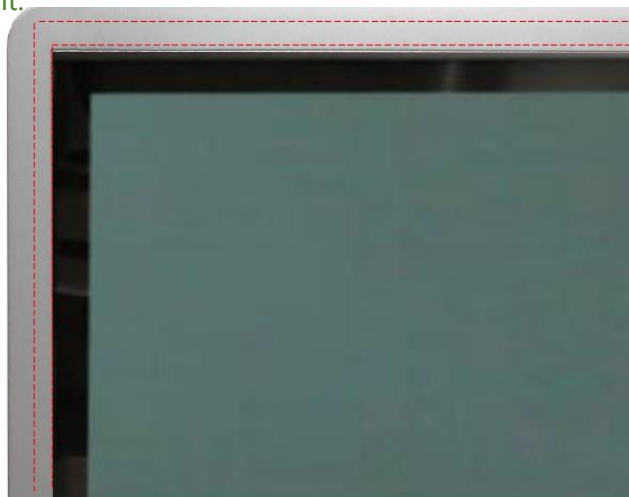
The standard **NTWP270** is true flat surface.

To protect the corners of the touch screen, the Front Cover can be added.

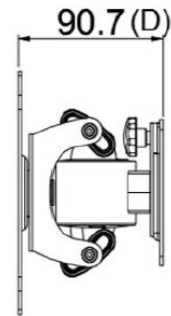
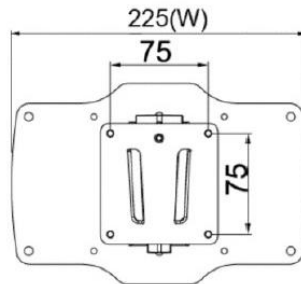
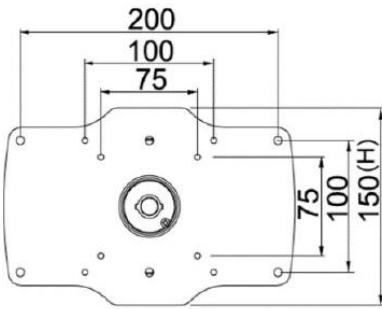
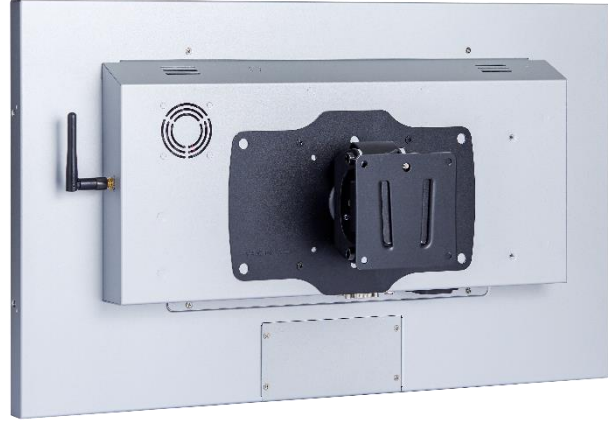


The watertight gasket can be added between the Front Cover and **NTWP270**.

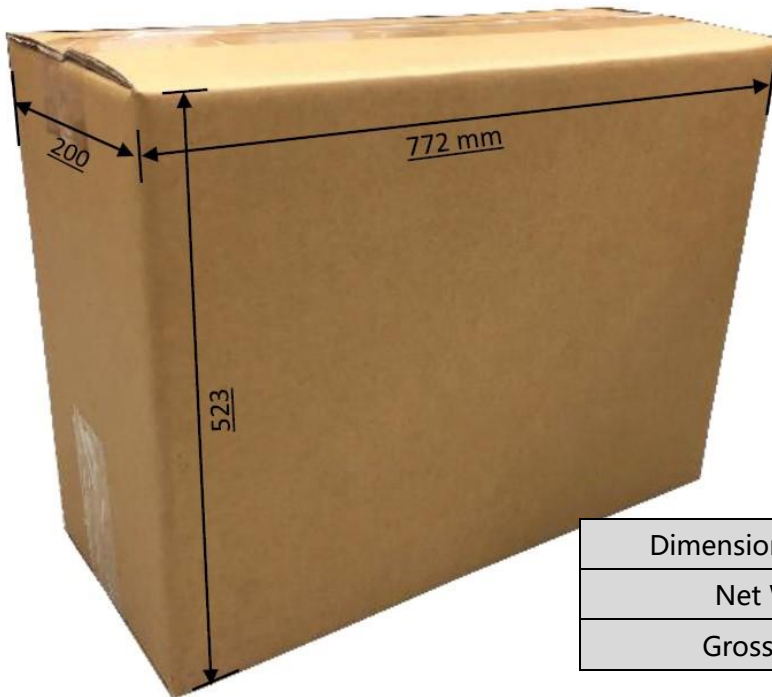
It complies **IP65** on front.



Wall Mount Bracket (Option)



Packing Information



Dimensions of Carton	772x200x523 mm
Net Weight	≤10.2 KG
Gross Weight	≤12.4 KG

Cosmetic Inspection Standard

Display Area Allowance			
Defect description	Defective Specifications	Allowance	Remarks
Dot Defect (including dark dot, particles, bubbles, pits, dust, foreign matter)	$D \leq 0.2\text{mm}$	Ignored	D=Diameter
	$0.2 < D \leq 0.7\text{mm}$	$N \leq 5$	N=Quantity
	$0.7 < D \leq 1\text{mm}$	$N \leq 3$	
	$D > 1\text{mm}$	$N \leq 0$	
Linear Defect (including scratches, fluff, particles)	$W \leq 0.15\text{mm}$	Ignored	W=Width
	$0.15 < W \leq 0.5\text{mm}, L \leq 15\text{mm}$	$N \leq 2$	L=Length
	$W > 0.5\text{mm}$ or $L > 15\text{mm}$	NG	

* Visual inspection distance: 60cm, 90 degree (same for front/side/back)

Front Appearance Allowance (Including Coating)			
Defect description	Defective Specifications	Allowance	Remarks
Dot Defect (including particles, bubbles, pits...etc.)	$D \leq 0.7\text{mm}$	Ignored	D=Diameter
	$0.7 < D \leq 1.5\text{mm}$	$N \leq 3$	N=Quantity
	$D > 1.5\text{mm}$	$N \leq 0$	
Linear Defect (including scratches, fluff, particles)	$W \leq 0.2\text{mm}, L \leq 15\text{mm}$	Ignored	W=Width, L=Length
	$0.2 < W \leq 0.7\text{mm}, L \leq 15\text{mm}$	$N \leq 1$	
	$W > 0.7\text{mm}$ or $L > 15\text{mm}$	NG	

Side / Back Appearance Allowance (Including Coating)			
Defect description	Defective Specifications	Allowance	Remarks
Dot Defect (including particles, bubbles, pits...etc.)	$D \leq 1.5\text{mm}$	Ignored	D=Diameter
	$1.5 < D \leq 3\text{mm}$	$N \leq 8$	N=Quantity
	$D > 3\text{mm}$	$N \leq 2$	
Linear Defect (including scratches, fluff, particles)	$W \leq 0.8\text{mm}, L \leq 15\text{mm}$	Ignored	W=Width, L=Length
	$0.8 < W \leq 1.5\text{mm}, L \leq 15\text{mm}$	$N \leq 5$	
	$W > 1.5\text{mm}$ or $L > 15\text{mm}$	NG	



Display Area
(Red Area)



Front Appearance (Red Area)



Back Appearance