

Product Specifications

Customer	
Model Name	NTWP215 V511
Model Number	NTWP215 <u>XXSXX</u>-GI<u>XXXXXX</u>-<u>XXXX</u>-511

* X = A~Z, 0~9 (Depends on Options.)



Records of Revision			
Vision	Modifying	Old Description	New Description
v2210.1	Preliminary Specification		
v2210.2	Add Stylus Pen Option		
v2210.3	New trademark released		

Features

- ★ 21.5 inch Industrial Grade Panel, 1920x1080 (FHD) Resolution
- ★ AHVA Wide Viewing Angle Technology , 178°/178°
- ★ Intel® 11th Generation Core i Series CPU
- ★ DDR4 8G RAM (Max. 32G)
- ★ Narrow Bezel, True Flat Projected Capacitive Touch Screen
- ★ 7H Hardness Tempered Cover Glass
- ★ 10 points Multi-touch, Supports NEXTECH Dedicated Stylus
- ★ Metal Cabinet with Diverse Combine Options
- ★ Made in Taiwan, 3 Years Warranty
- ★ Optional High Brightness 1500nits, for Outdoor Environment
- ★ Optional AG Coating/Antibacterial/Privacy Filter Surface Treatment



PSE



BSMI



RoHS



CE



ISO9001



FCC



Desktop Stand



Wall Mounting



Open-frame Brackets



Panel Mount

System Specifications

CPU	Intel® 11th Generation Core i Series CPU
Memory	DDR4 SO-DIMM x2, Max. 64G
Storage	Ultra-Fast M.2 with PCIe Gen3 x2, SATA 6Gb/s x1
GPU	Intel® UHD Graphics
Sound Chip	Realtek Audio CODEC
Network	Intel Gigabit LAN, RJ45 ports x2

Display Specifications

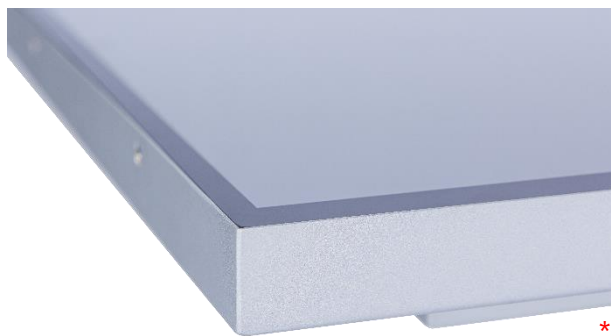
Screen Diagonal	21.5 inch	Display Mode	AHVA Mode, Normally Black
Display Area	476.0x267.7 mm	Backlight Unit	LED (white LED)
Resolution	1920x1080 (FHD)	Viewing Angle (L/R, U/D)	178°/178° (CR=10)
Contrast Ratio	1000:1	Response Time	22 msec.
Display Ratio	16:9	Backlight Lifetime	>50,000 Hours
Support Colors	16.7M Colors	Operating Temp.	0~50°C
Pixel Pitch	247.95x247.95 um	Storage Temp.	-20~60°C

Display Options

Brightness			
	Brightness	Environment	Model Name
Standard	250nits	General	NTWP215 N XSXX-GIXXXXX-XXXX-511
Option 1	1000nits	Outdoor Environment	NTWP215 A XSXX-GIXXXXX-XX F X-511
Option 2	1500nits	Sunlight Readable	NTWP215 F XSXX-GIXXXXX-XX F X-511

Touch Options

Projected Capacitive			
Model Name	NTWP215X <u>P</u> SXX-G <u>I</u> XXXXX- <u>X</u> XXX-511		
Touch Technology	Projected Capacitive	Thickness of Cover Lens	2.9±0.2mm
Allowed Touch Points	10 points	Hardness of Cover Lens	7H
Transparency	≥87%	IK Ratings	IK07
Accuracy	99.00%		



* True Flat, 1mm Bezel

Non-Touch	
Model Name	NTWP215X <u>0</u> SXX-G <u>I</u> XXXXX- <u>X</u> XXX-511

Surface Treatment		
	Description	Model Name
Standard	(none)	NTWP215XXS<u>00</u>-G<u>I</u>XXXXX-<u>X</u>XXX-511
Option 1	Anti-Glare Coating	NTWP215XXS <u>GG</u> -G <u>I</u> XXXXX- <u>X</u> XXX-511
Option 2	Antibacterial (AB Film)	NTWP215XXS <u>AB</u> -G <u>I</u> XXXXX- <u>X</u> XXX-511
Option 3	Anti-Spy (AS Film)	NTWP215XXS <u>SF</u> -G <u>I</u> XXXXX- <u>X</u> XXX-511

System Options

CPU		
	Item	Model Name
Standard	Intel® Core i3-1115G4E	NTWP215XXSXX-GI31XXX-XXXX-511
Option 1	Intel® Core i5-1135G7	NTWP215XXSXX-GI51XXX-XXXX-511
Option 2	Intel® Core i7-1165G7	NTWP215XXSXX-GI71XXX-XXXX-511

Memory		
	Item	Model Name
Standard	DDR4 SO-DIMM 8G	NTWP215XXSXX-GIXX8XX-XXXX-511
Option 1	DDR4 SO-DIMM 16G	NTWP215XXSXX-GIXXAXX-XXXX-511
Option 2	DDR4 SO-DIMM 32G	NTWP215XXSXX-GIXXBXX-XXXX-511
Option 3	DDR4 SO-DIMM 64G	NTWP215XXSXX-GIXXCXX-XXXX-511

Storage		
	Item	Model Name
Standard	SSD 128G	NTWP215XXSXX-GIXXXS1-XXXX-511
Option 1	SSD 256G	NTWP215XXSXX-GIXXXS2-XXXX-511
Option 2	SSD 512G	NTWP215XXSXX-GIXXXS3-XXXX-511
Option 3	SATA HDD 1T	NTWP215XXSXX-GIXXH1-XXXX-511
Option 4	SSD 128G + SATA HDD 1T	NTWP215XXSXX-GIXXSH-XXXX-511

Material of Cabinet		
	Description	Model Name
Standard	SECC	NTWP215XXSXX-GIXXXXX-SXXX-511
Option 1	Stainless Steel	NTWP215XXSXX-GIXXXXX-LXXX-511
Option 2	Aluminum	NTWP215XXSXX-GIXXXXX-AXXX-511

System Options (Continued)

Color of Cabinet		
	Description	Model Name
Standard	Silver	NTWP215XXSXX-GIXXXXXX-<u>X</u>SXX-511
Option 1	White	NTWP215XXSXX-GIXXXXXX- <u>X</u> WXX-511
Option 2	Black	NTWP215XXSXX-GIXXXXXX- <u>X</u> BXX-511
Options	Other Colors	NTWP215XXSXX-GIXXXXXX- <u>X</u> XXX-511

* X = A~Z, 0~9 (Depends on Color)

Cooling Fan		
	Description	Model Name
Standard	Fanless	NTWP215XXSXX-GIXXXXXX-XX<u>0</u>X-511
Option	7 Blades/4000r.p.m/28.3dB	NTWP215XXSXX-GIXXXXXX-XX <u>F</u> X-511

Power Input		
	Description	Model Name
Standard	9~24DC-in, with AC/DC Adapter	NTWP215XXSXX-GIXXXXXX-XXX<u>5</u>-511
Option	100~240V AC, C14 AC Power Socket	NTWP215XXSXX-GIXXXXXX-XXX <u>A</u> -511

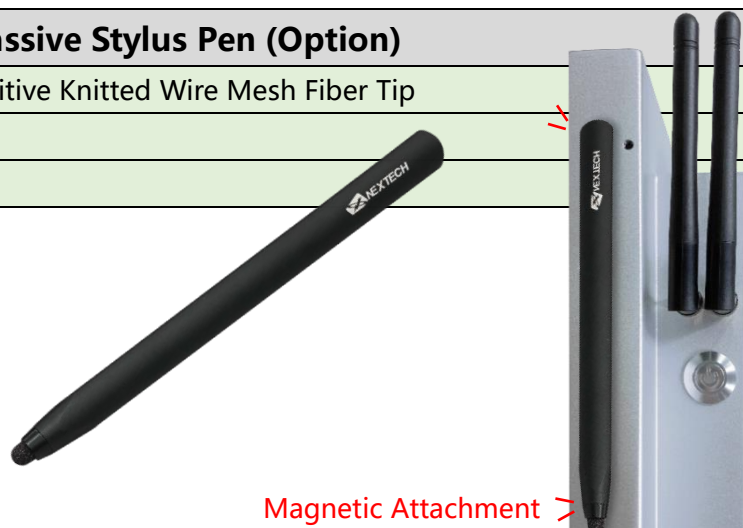


DC-in



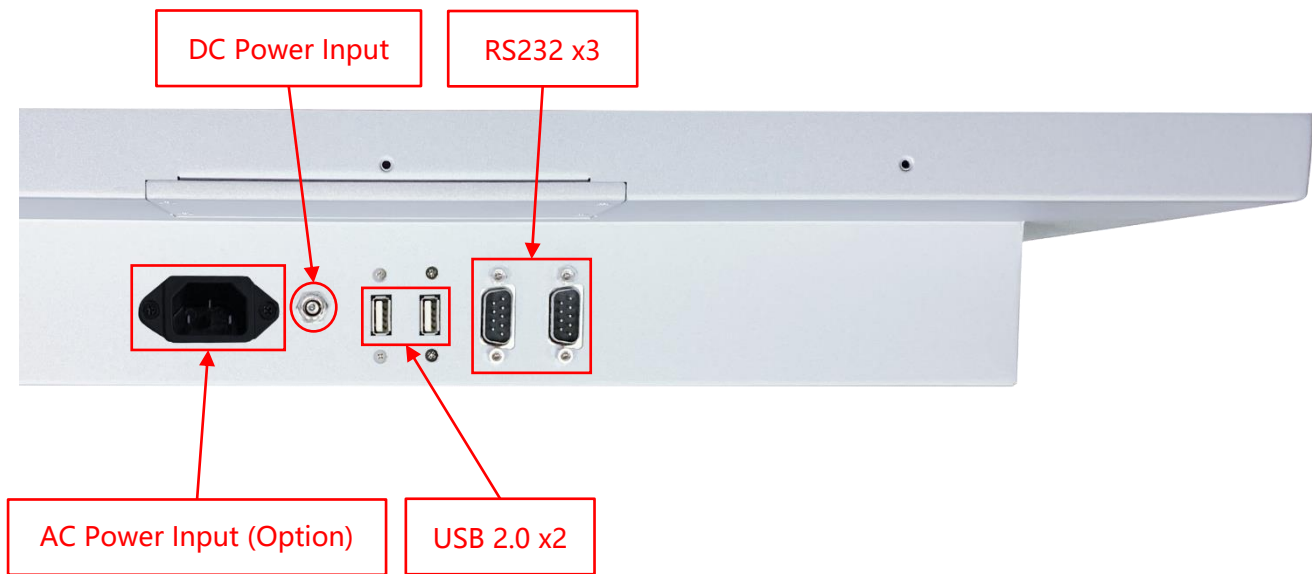
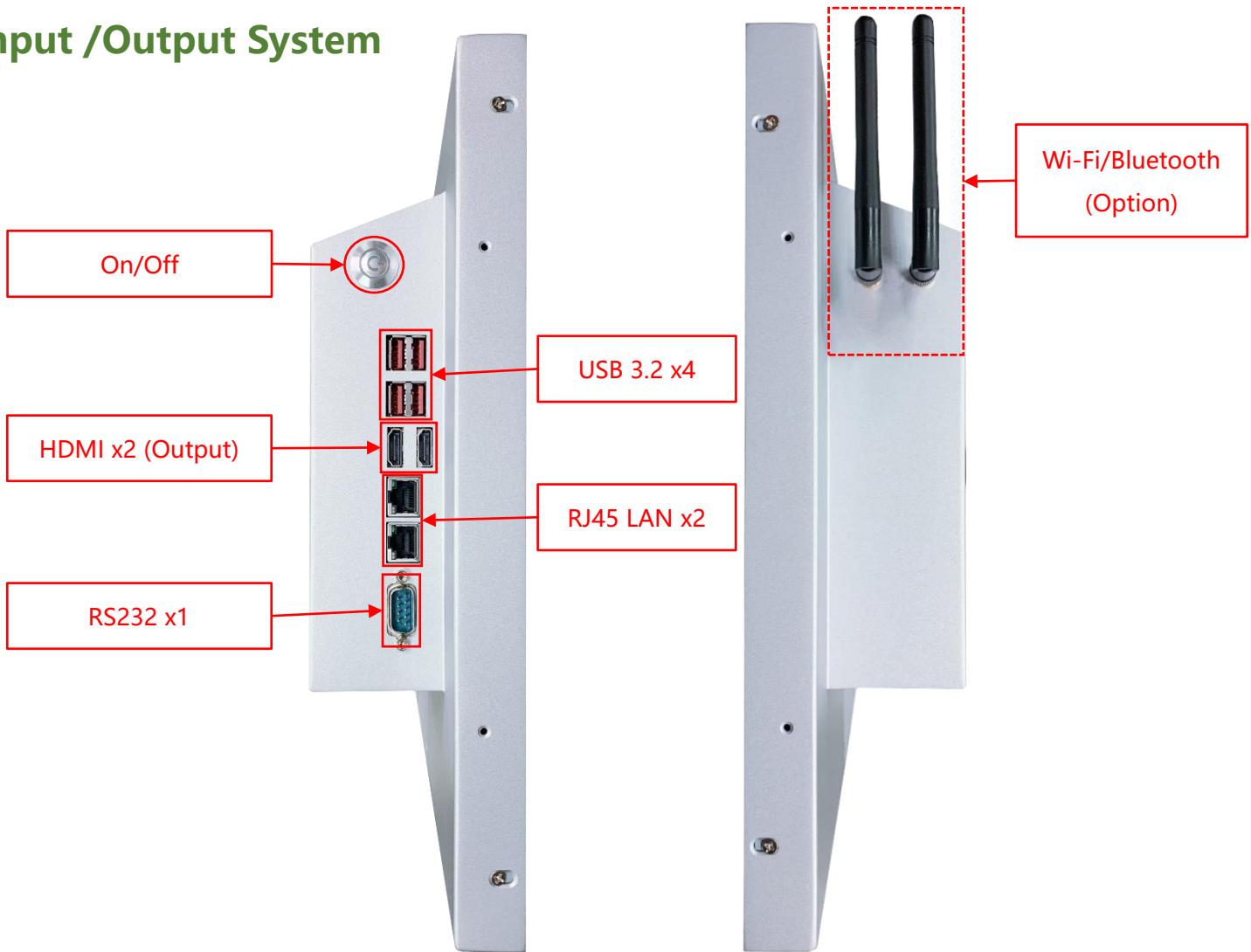
AC-in

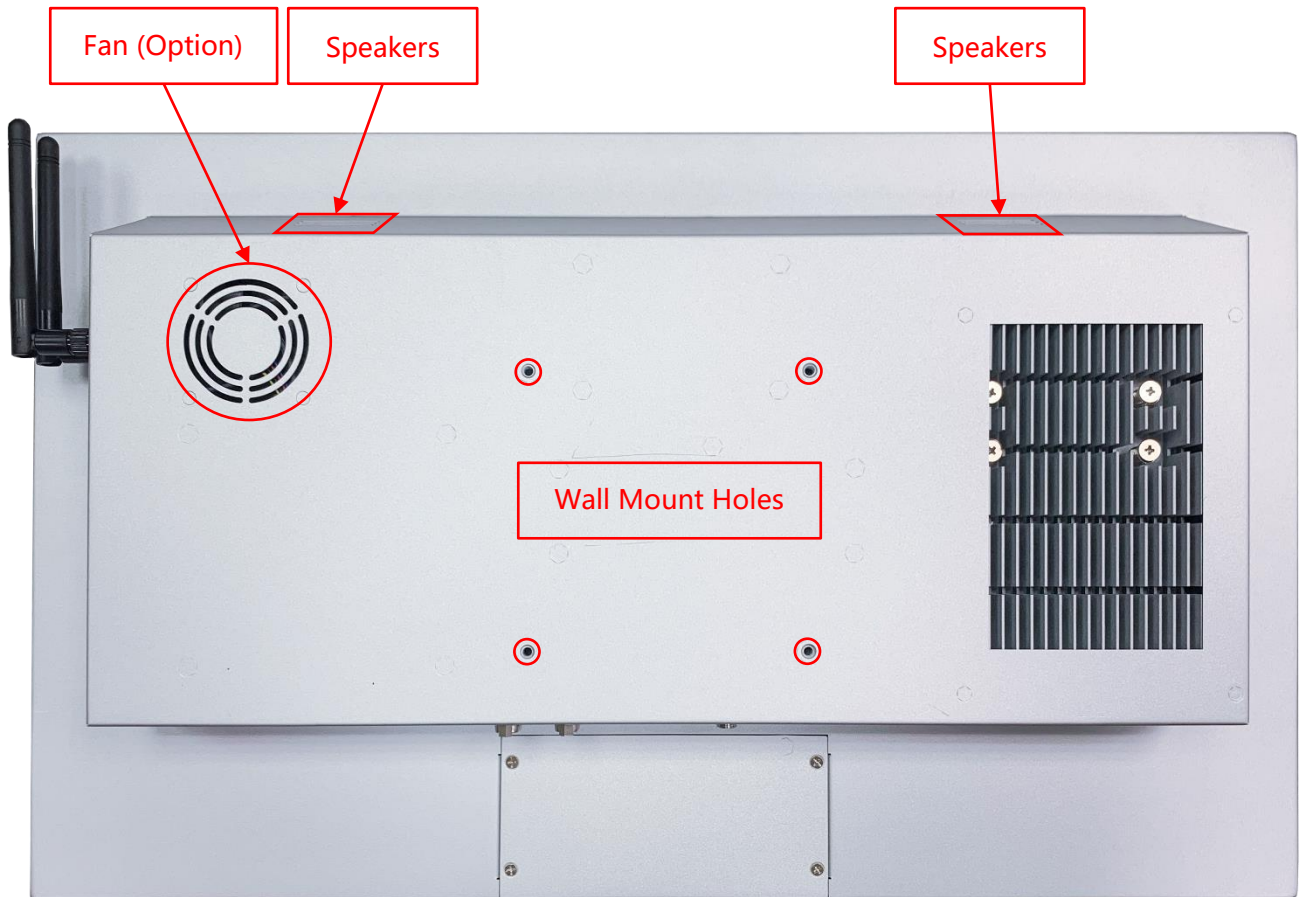
Passive Stylus Pen (Option)	
Technology	Passive High Sensitive Knitted Wire Mesh Fiber Tip
Size of tip	6mm
Magnetic Attachment	Yes



Magnetic Attachment >

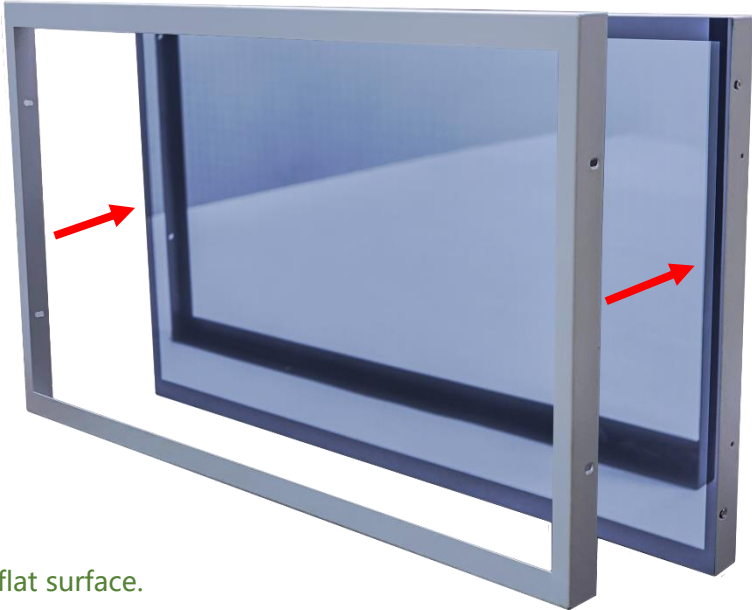
Input /Output System





Input / Output	Connectors	Input / Output	Connectors
HDMI (Output)	2	Speakers	2W x2
USB 3.0	4	DC Power Input	1
USB 2.0	2	AC Power Input	Option
RS232	3	Wi-Fi/Bluetooth & Antenna	Option
LAN (RJ45)	2		

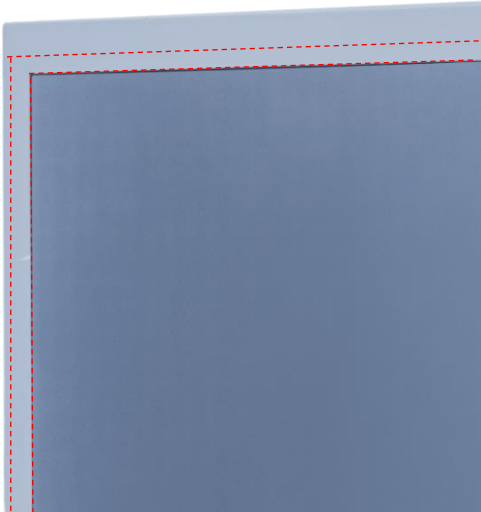
Front Cover (Option)



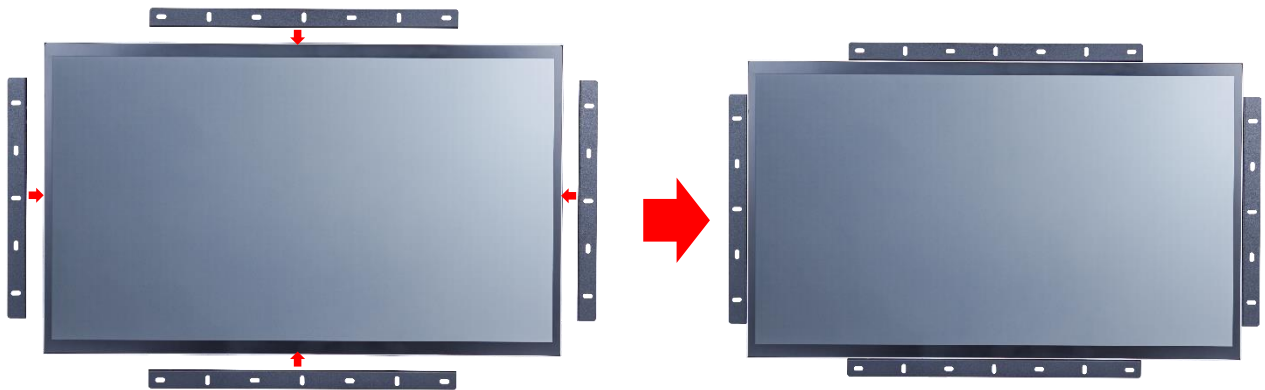
The standard **NTWP215** is true flat surface.
To protect the corners of the touch screen, the Front Cover can be added.



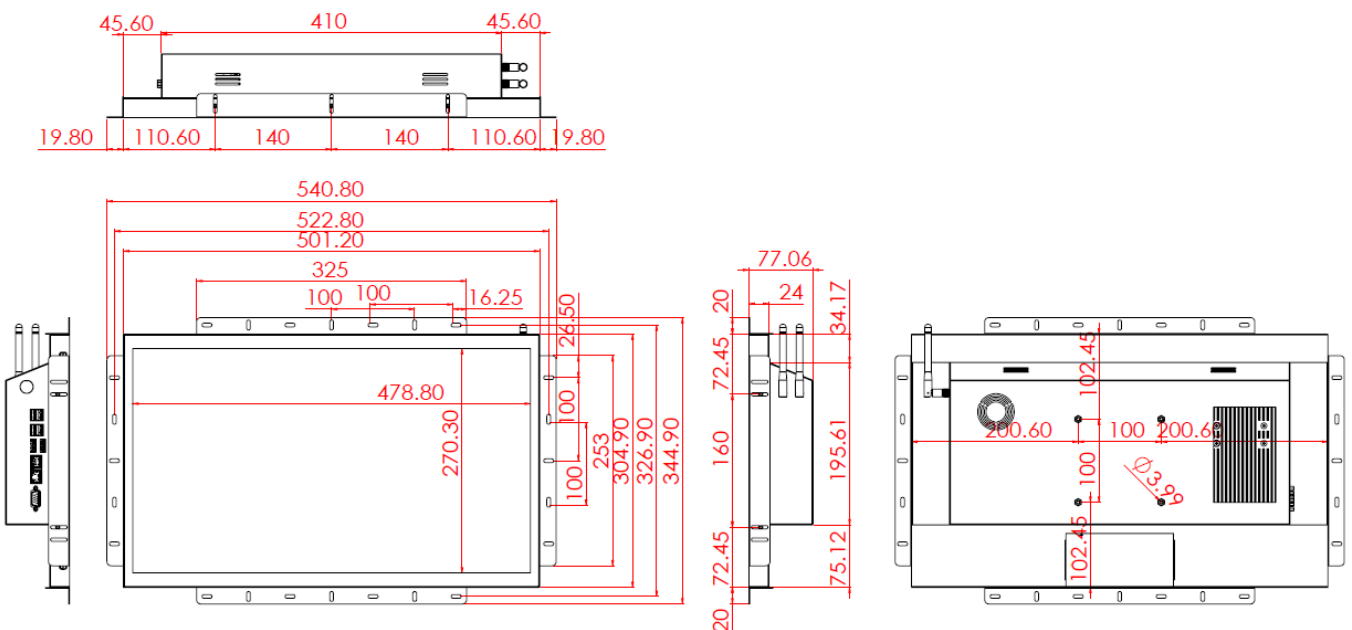
The watertight gasket can be added between the Front Cover and **NTWP215**.
It complies **IP65** on front.

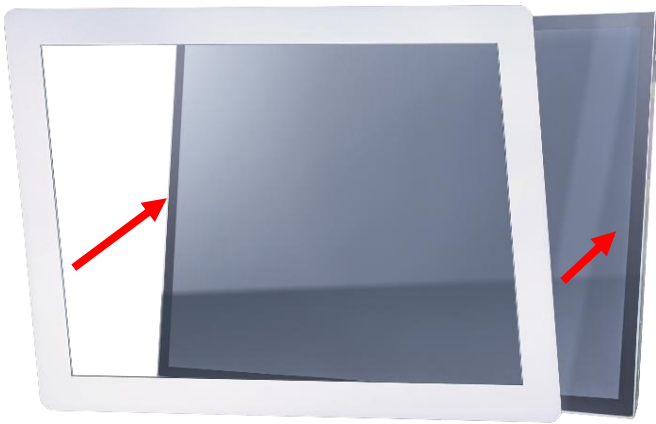


Open-frame Brackets (Option)

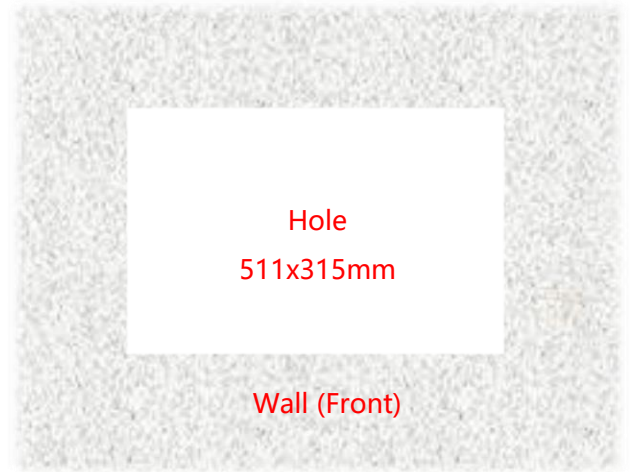


Dimension for Installing with Open-frame Brackets

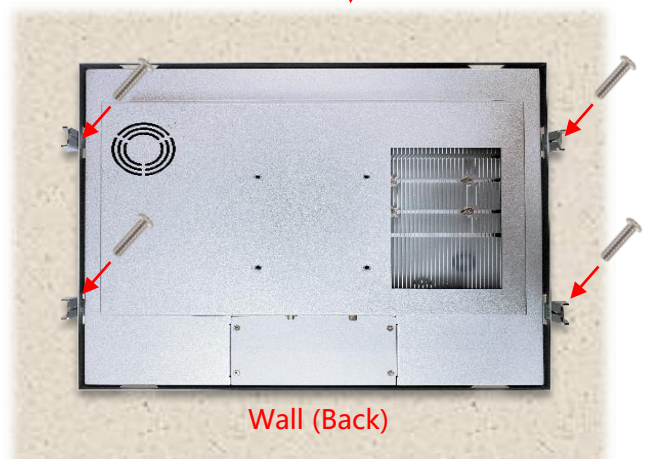




Step 1: Assemble the front module with the screen body. (This step is pre-assembled at the factory.)



Step 2: Insert the screen from the front into the pre-cut opening.



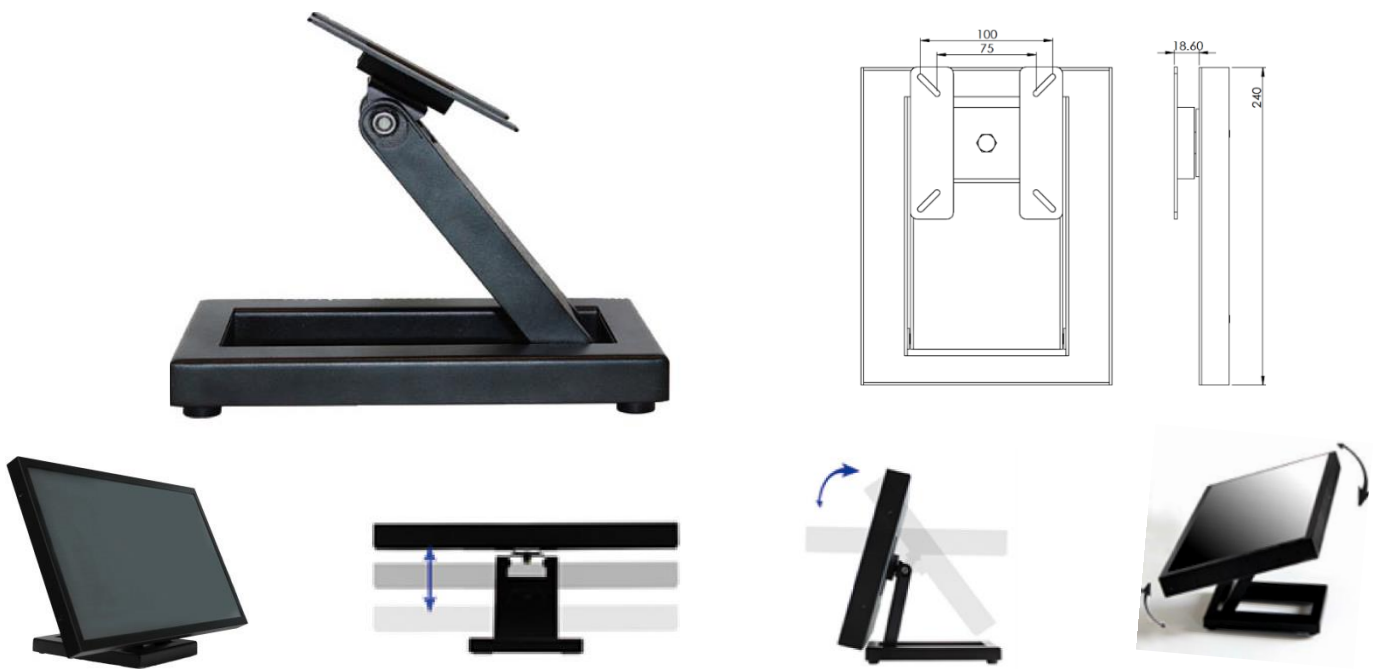
Step 3: Attach the clips from the back and secure with screws. (Up to 10 clips can be installed as needed or per positional limitations.)

Desktop Stand (Option)

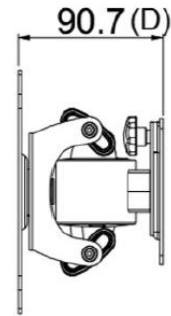
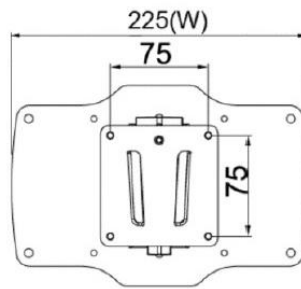
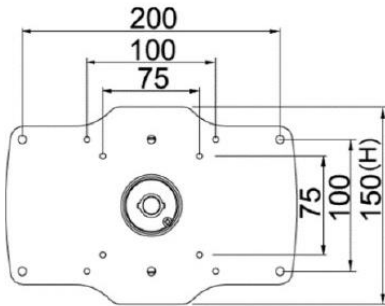
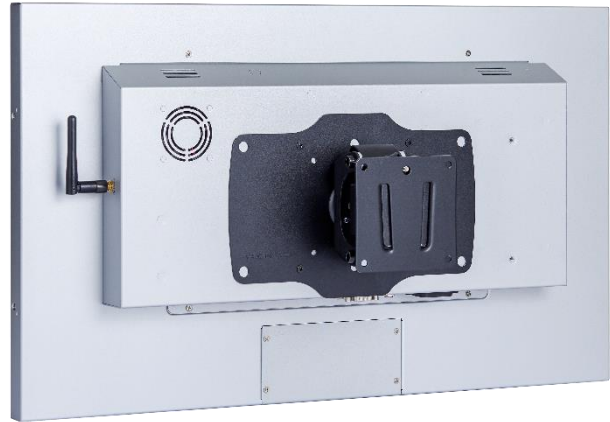
Item	B Stand	Part No.	DST-0B002/DST-1B002
Mounting Pattern	100x100 / 75x75 mm	Dimension (WxHxD)	203x275x227 mm
Material	Steel/Plastic/Aluminum	Net Weight	1.8 KG
Tilt (Hinge)	-2° ~ +180°	Support Max. Weight	15 KG



Item	Z Stand	Part No.	DST-0BZ01/DST-1BZ01
Mounting Pattern	100x100 / 75x75 mm	Dimension (WxHxD)	190x240x41.6
Material	SECC	Net Weight	2.6 KG
Tilt (Hinge)	±360°	Support Max. Weight	15 KG



Wall Mount Bracket (Option)



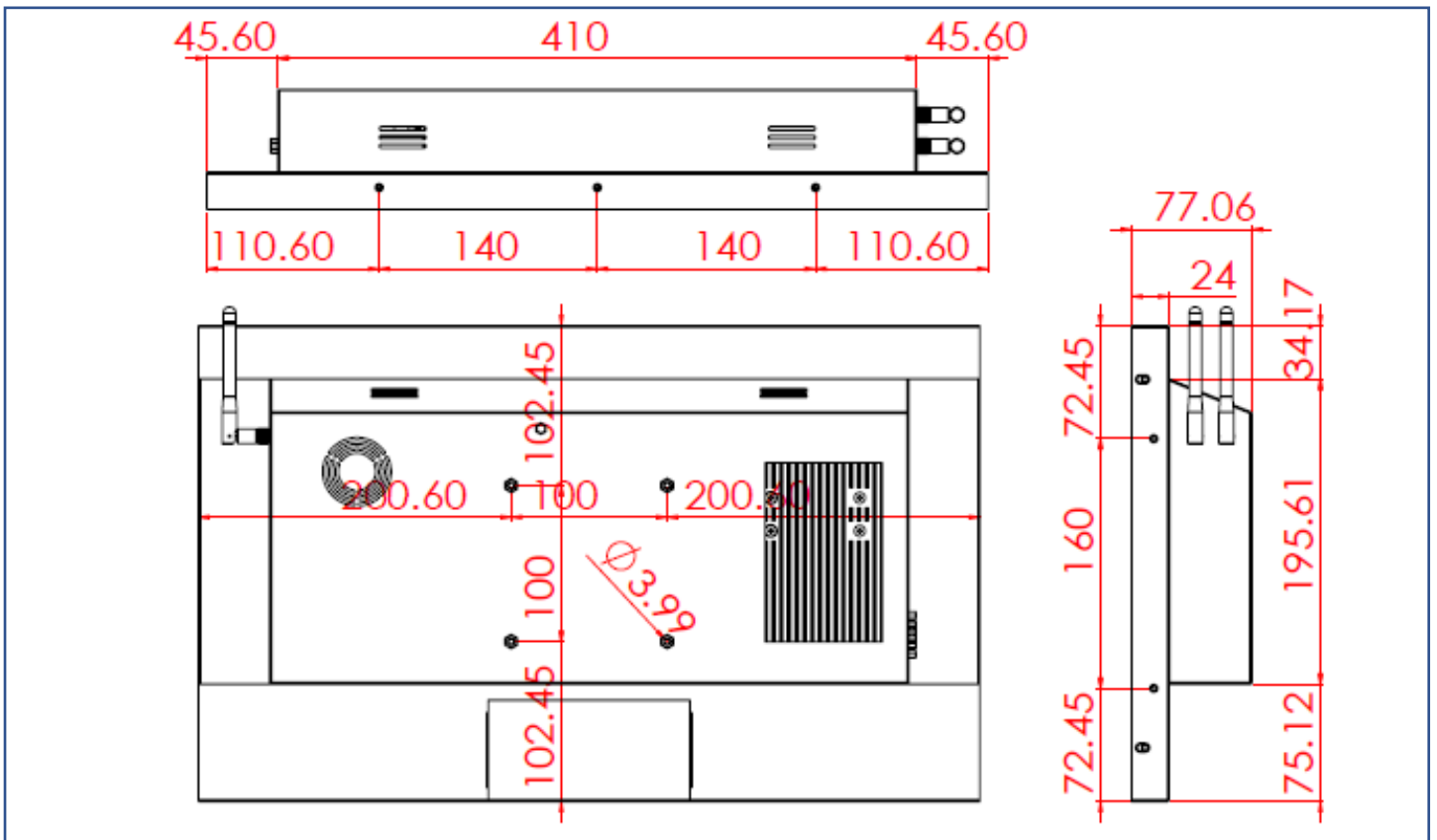
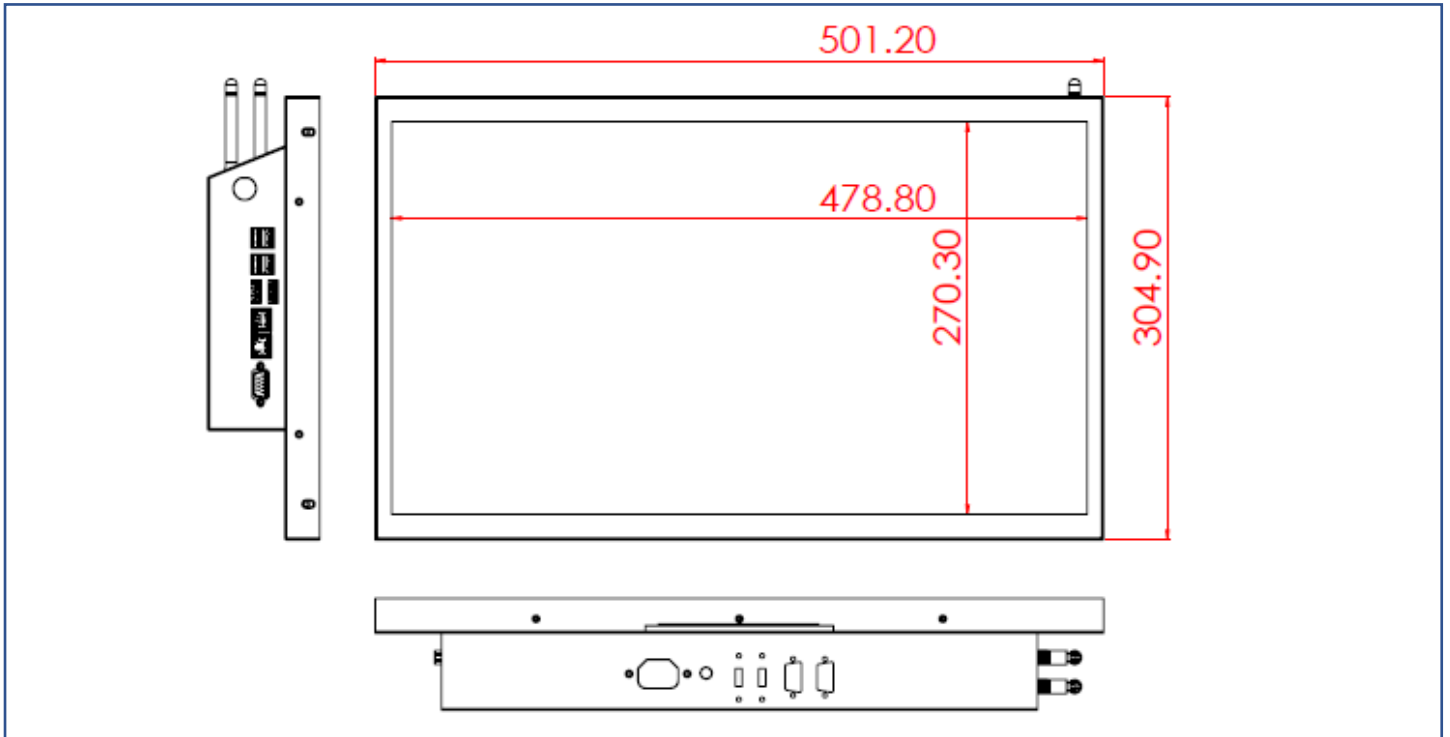
Packing Information



Unit Carton Size	670x155x445 mm
Unit N. Weight	≤5.4 KG
Unit G. Weight	≤7.2 KG
Units per Pallet	30 units
Pallet Size	120x100x147 CM

Physical Specifications

Dimension	501x305x77(±2)mm (W/O Antenna)	Net Weight	≤5.4 KG
VESA Mounting	100x100 mm	Gross Weight	≤7.2 KG



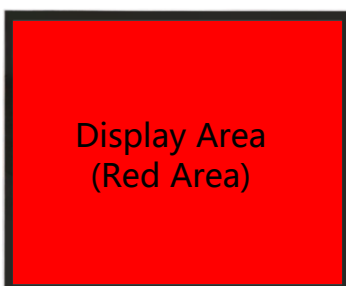
Cosmetic Inspection Standard

Display Area Allowance			
Defect description	Defective Specifications	Allowance	Remarks
Dot Defect (including dark dot, particles, bubbles, pits, dust, foreign matter)	$D \leq 0.2\text{mm}$	Ignored	D=Diameter
	$0.2 < D \leq 0.7\text{mm}$	$N \leq 5$	N=Quantity
	$0.7 < D \leq 1\text{mm}$	$N \leq 3$	
	$D > 1\text{mm}$	$N \leq 0$	
Linear Defect (including scratches, fluff, particles)	$W \leq 0.15\text{mm}$	Ignored	W=Width
	$0.15 < W \leq 0.5\text{mm}, L \leq 15\text{mm}$	$N \leq 2$	L=Length
	$W > 0.5\text{mm}$ or $L > 15\text{mm}$	NG	

* Visual inspection distance: 60cm, 90 degree (same for front/side/back)

Front Appearance Allowance (Including Coating)			
Defect description	Defective Specifications	Allowance	Remarks
Dot Defect (including particles, bubbles, pits...etc.)	$D \leq 0.7\text{mm}$	Ignored	D=Diameter
	$0.7 < D \leq 1.5\text{mm}$	$N \leq 3$	N=Quantity
	$D > 1.5\text{mm}$	$N \leq 0$	
Linear Defect (including scratches, fluff, particles)	$W \leq 0.2\text{mm}, L \leq 15\text{mm}$	Ignored	W=Width, L=Length
	$0.2 < W \leq 0.7\text{mm}, L \leq 15\text{mm}$	$N \leq 1$	
	$W > 0.7\text{mm}$ or $L > 15\text{mm}$	NG	

Side / Back Appearance Allowance (Including Coating)			
Defect description	Defective Specifications	Allowance	Remarks
Dot Defect (including particles, bubbles, pits...etc.)	$D \leq 1.5\text{mm}$	Ignored	D=Diameter
	$1.5 < D \leq 3\text{mm}$	$N \leq 8$	N=Quantity
	$D > 3\text{mm}$	$N \leq 2$	
Linear Defect (including scratches, fluff, particles)	$W \leq 0.8\text{mm}, L \leq 15\text{mm}$	Ignored	W=Width, L=Length
	$0.8 < W \leq 1.5\text{mm}, L \leq 15\text{mm}$	$N \leq 5$	
	$W > 1.5\text{mm}$ or $L > 15\text{mm}$	NG	



Display Area
(Red Area)



Front Appearance (Red Area)



Back Appearance