

# Product Specifications

<b>Customer</b>	
<b>Model Name</b>	<b>NTWP215-6 V511</b>
<b>Model Number</b>	<b>NTWP215H<u>X6XX</u>-GI<u>XXXXX</u>-<u>XXFX</u>-511</b>

\* X = A~Z, 0~9 (Depends on Options.)



Records of Revision			
Vision	Modifying	Old Description	New Description
v2407.1	Preliminary Specification		

## Features

- ★ 21.5 inch Industrial Grade Panel, 1920x1080 (FHD) Resolution
- ★ 1500nits High Brightness
- ★ AHVA Wide Viewing Angle Technology , 178°/178°
- ★ Intel® 11th Generation Core i Series CPU
- ★ DDR4 8G RAM (Max. 32G)
- ★ Narrow Bezel, True Flat Projected Capacitive Touch Screen
- ★ 7H Hardness Tempered Cover Glass
- ★ 10 points Multi-touch, Supports NEXTECH Dedicated Stylus
- ★ Metal Cabinet with Diverse Combine Options
- ★ Made in Taiwan, 3 Years Warranty, Designed for Harsh Environments
- ★ Optional AG Coating/Antibacterial/Privacy Filter Surface Treatment



PSE



BSMI



RoHS



CE



ISO9001



FCC



Desktop Stand



Wall Mounting



Open-frame Brackets



Panel Mount

## System Specifications

CPU	<b>Intel® 11th Generation Core i Series CPU</b>
Memory	<b>DDR4 SO-DIMM x2, Max. 64G</b>
Storage	<b>Ultra-Fast M.2 with PCIe Gen3 x2, SATA 6Gb/s x1</b>
GPU	<b>Intel® UHD Graphics</b>
Sound Chip	<b>Realtek Audio CODEC</b>
Network	<b>Intel Gigabit LAN, RJ45 ports x2</b>

## Display Specifications

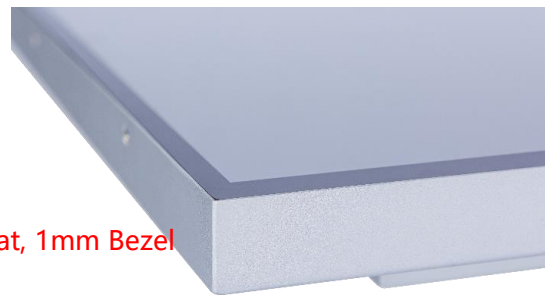
Screen Diagonal	<b>21.5 inch</b>	Display Mode	<b>Normally Black</b>
Display Area	<b>476.6x268.1 mm</b>	Backlight Unit	<b>LED (white LED)</b>
Resolution	<b>1920x1080 (FHD)</b>	Viewing Angle (L/R, U/D)	<b>178°/178° (CR=10)</b>
Contrast Ratio	<b>1000:1</b>	Response Time	<b>14 msec.</b>
Display Ratio	<b>16:9</b>	Backlight Lifetime	<b>&gt;30,000 Hours</b>
Support Colors	<b>16.7M Colors</b>	Operating Temp.	<b>-20~70°C</b>
Pixel Pitch	<b>0.24825x0.24825 mm</b>	Storage Temp.	<b>-30~80°C</b>
Brightness	<b>1500nits</b>		

## Touch Options

Touch Screen		
	Description	Model Name
<b>Standard</b>	<b>Projected Capacitive Touch</b>	<b>NTWP215HP6XX-GIXXXXX-XXFX-511</b>
Option	Non-Touch	NTWP215H06XX-GIXXXXX-XXFX-511

### Projected Capacitive Touch

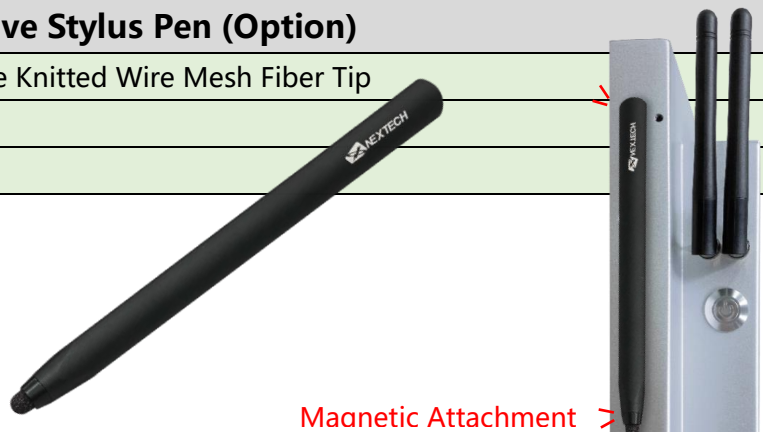
Touch Technology	Projected Capacitive	Thickness of Cover Lens	2.9±0.2mm
Allowed Touch Points	10 points	Hardness of Cover Lens	7H
Transparency	≥87%	IK Ratings	IK07
Accuracy	99.00%		



\* True Flat, 1mm Bezel

Surface Treatment		
	Description	Model Name
<b>Standard</b>	<b>(none)</b>	<b>NTWP215HX600-GIXXXXX-XXFX-511</b>
Option 1	Anti-Glare Coating	NTWP215HX6GG-GIXXXXX-XXFX-511
Option 2	Antibacterial (AB Film)	NTWP215HX6AB-GIXXXXX-XXFX-511
Option 3	Anti-Spy (AS Film)	NTWP215HX6SF-GIXXXXX-XXFX-511

Passive Stylus Pen (Option)	
Technology	Passive High Sensitive Knitted Wire Mesh Fiber Tip
Size of tip	6mm
Magnetic Attachment	Yes



Magnetic Attachment >

## System Options

CPU		
	Item	Model Name
<b>Standard</b>	<b>Intel® Core i3-1115G4E</b>	<b>NTWP215HX6XX-GI<u>31</u>XXX-XXFX-511</b>
Option 1	Intel® Core i5-1135G7	NTWP215HX6XX-GI <u>51</u> XXX-XXFX-511
Option 2	Intel® Core i7-1165G7	NTWP215HX6XX-GI <u>71</u> XXX-XXFX-511

Memory		
	Item	Model Name
<b>Standard</b>	<b>DDR4 SO-DIMM 8G</b>	<b>NTWP215HX6XX-GIXX<u>8</u>XX-XXFX-511</b>
Option 1	DDR4 SO-DIMM 16G	NTWP215HX6XX-GIXX <u>A</u> XX-XXFX-511
Option 2	DDR4 SO-DIMM 32G	NTWP215HX6XX-GIXX <u>B</u> XX-XXFX-511
Option 3	DDR4 SO-DIMM 64G	NTWP215HX6XX-GIXX <u>C</u> XX-XXFX-511

Storage		
	Item	Model Name
<b>Standard</b>	<b>SSD 128G</b>	<b>NTWP215HX6XX-GIXXX<u>S1</u>-XXFX-511</b>
Option 1	SSD 256G	NTWP215HX6XX-GIXXX <u>S2</u> -XXFX-511
Option 2	SSD 512G	NTWP215HX6XX-GIXXX <u>S3</u> -XXFX-511
Option 3	SATA HDD 1T	NTWP215HX6XX-GIXXX <u>H1</u> -XXFX-511
Option 4	SSD 128G + SATA HDD 1T	NTWP215HX6XX-GIXXX <u>SH</u> -XXFX-511

## System Options (Continued)

Material of Cabinet		
	Description	Model Name
<b>Standard</b>	<b>SECC</b>	<b>NTWP215HX6XX-GIXXXXXX-<u>S</u>FX-511</b>
Option 1	Stainless Steel	NTWP215HX6XX-GIXXXXXX- <u>L</u> FX-511
Option 2	Aluminum	NTWP215HX6XX-GIXXXXXX- <u>A</u> FX-511

Color of Cabinet		
	Description	Model Name
<b>Standard</b>	<b>Silver</b>	<b>NTWP215HX6XX-GIXXXXXX-<u>X</u>SFX-511</b>
Option 1	White	NTWP215HX6XX-GIXXXXXX- <u>X</u> WFX-511
Option 2	Black	NTWP215HX6XX-GIXXXXXX- <u>X</u> BFX-511
Options	Other Colors	NTWP215HX6XX-GIXXXXXX- <u>X</u> XFX-511

\* X = A~Z, 0~9 (Depends on Color)

Power Input		
	Description	Model Name
<b>Standard</b>	<b>9~24DC-in, with AC/DC Adapter</b>	<b>NTWP215HX6XX-GIXXXXXX-<u>XX</u>F5-511</b>
Option	100~240V AC, C14 AC Power Socket	NTWP215HX6XX-GIXXXXXX- <u>XX</u> FA-511

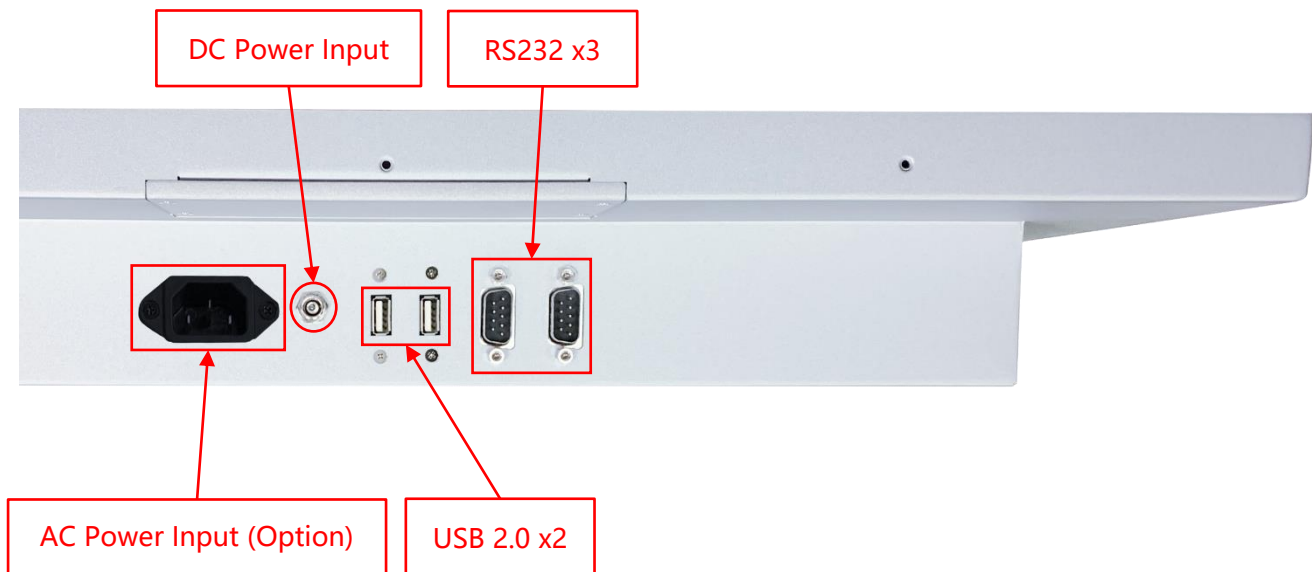
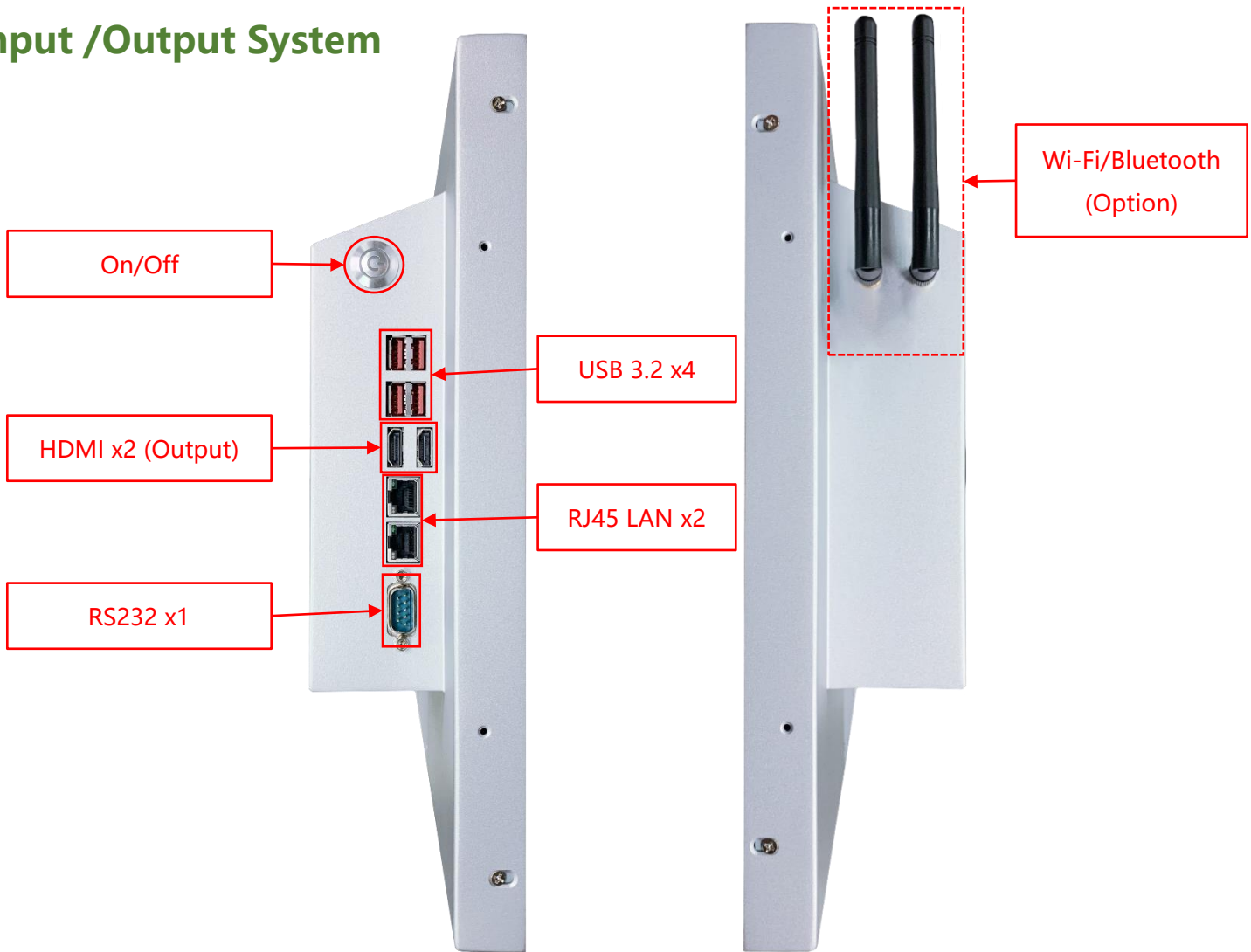


DC-in



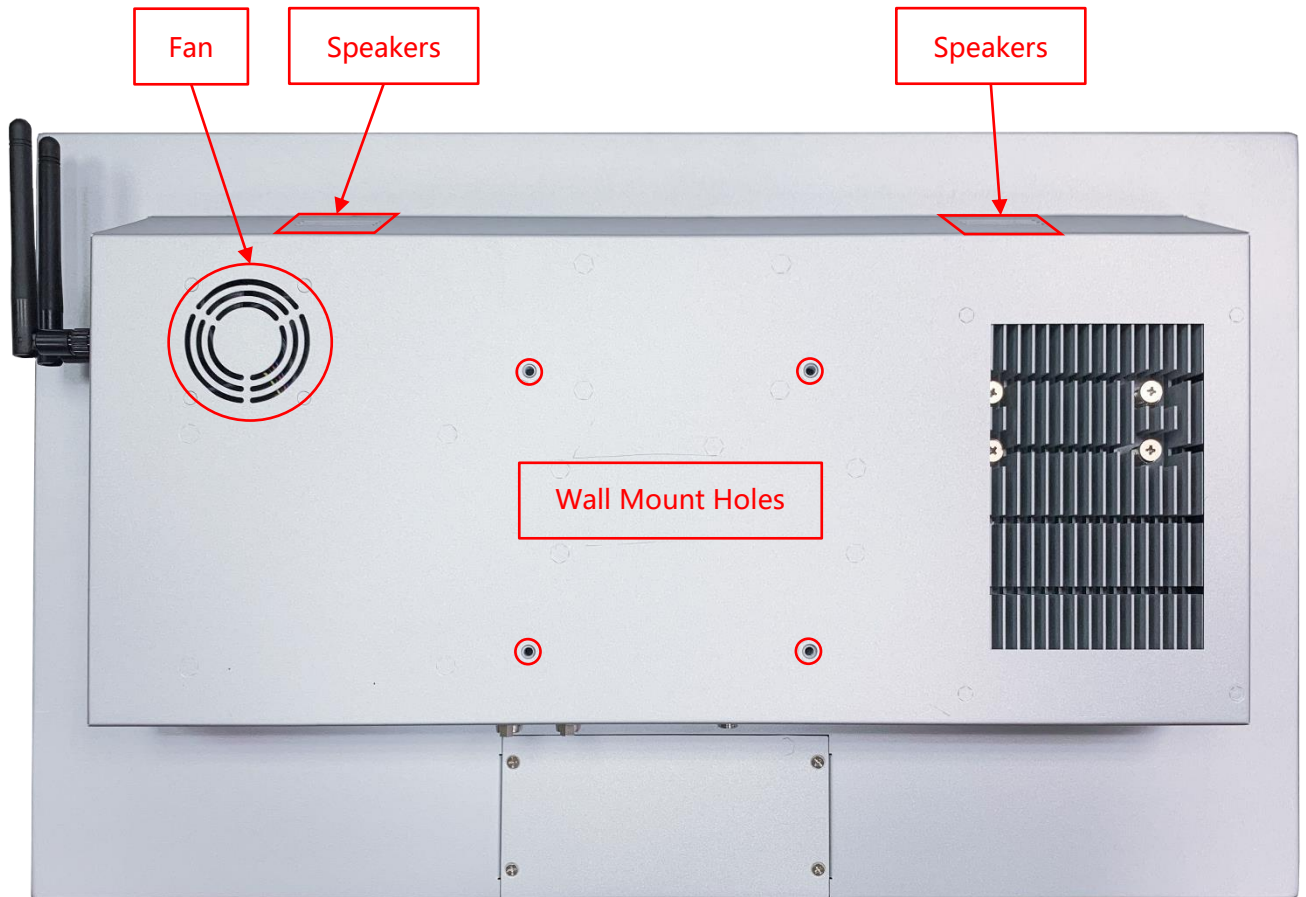
AC-in

## Input /Output System



# Nextech WP Series 21.5" All-in-one Touch PC

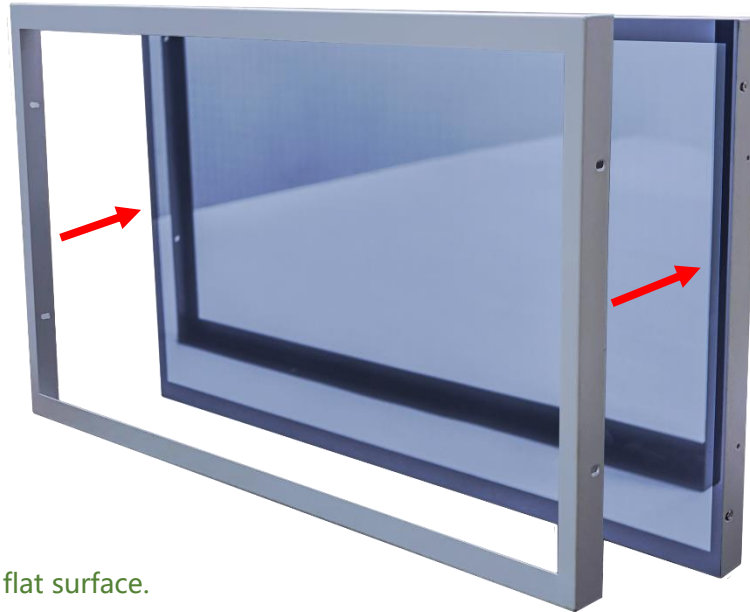
**NTWP215-6 V511**



Input / Output	Connectors	Input / Output	Connectors
HDMI (Output)	2	Speakers	2W x2
USB 3.0	4	DC Power Input	1
USB 2.0	2	AC Power Input	Option
RS232	3	Wi-Fi/Bluetooth & Antenna	Option
LAN (RJ45)	2		



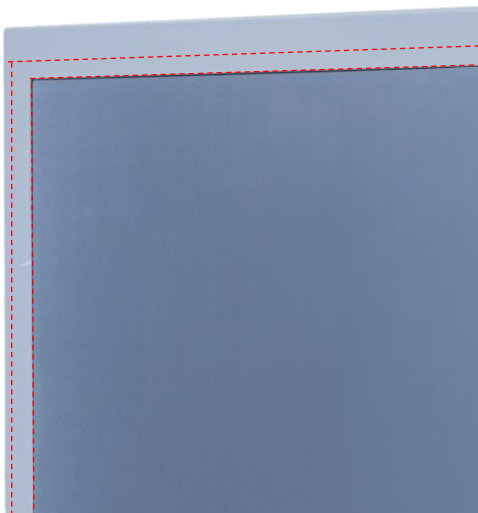
## Front Cover (Option)



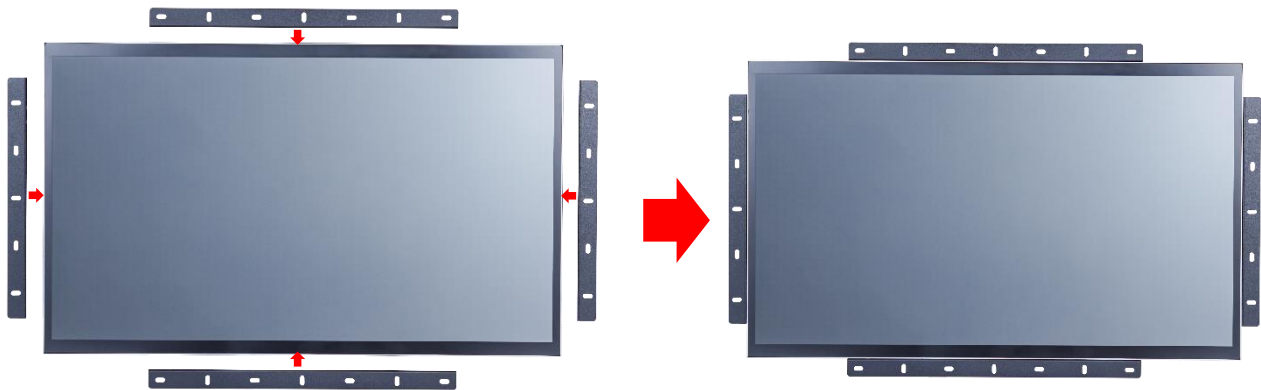
The standard **NTWP215** is true flat surface.  
To protect the corners of the touch screen, the Front Cover can be added.



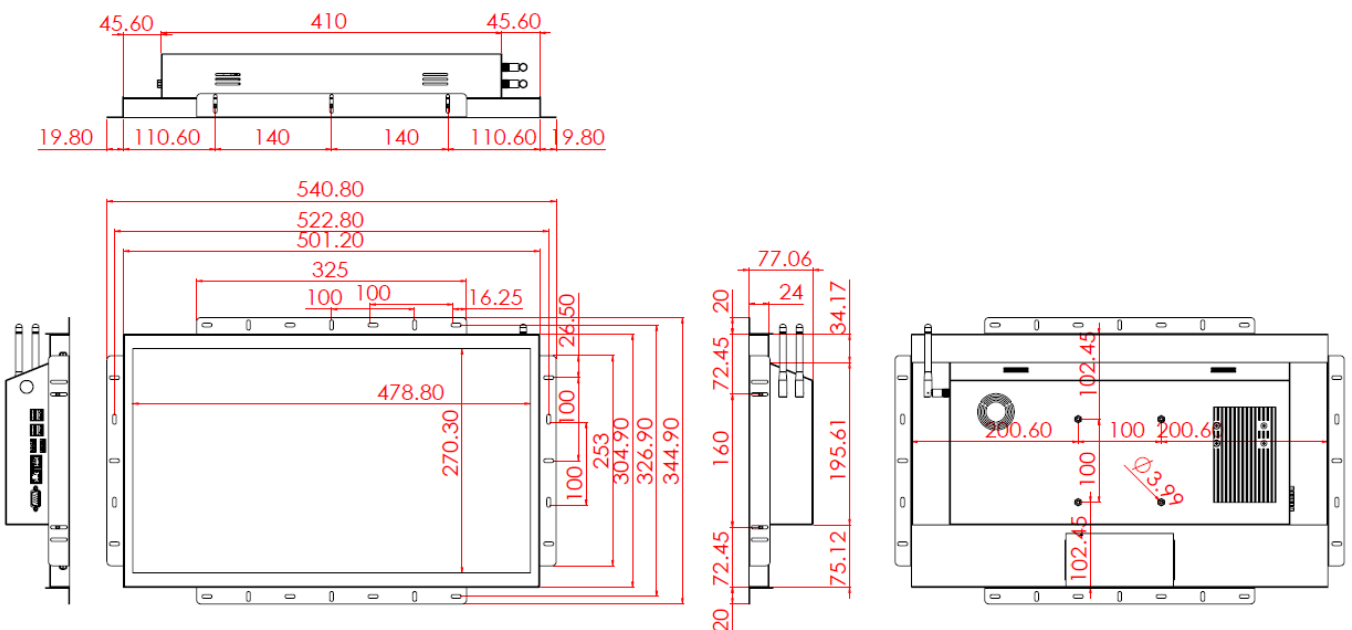
The watertight gasket can be added between the Front Cover and **NTWP215**.  
It complies **IP65** on front.



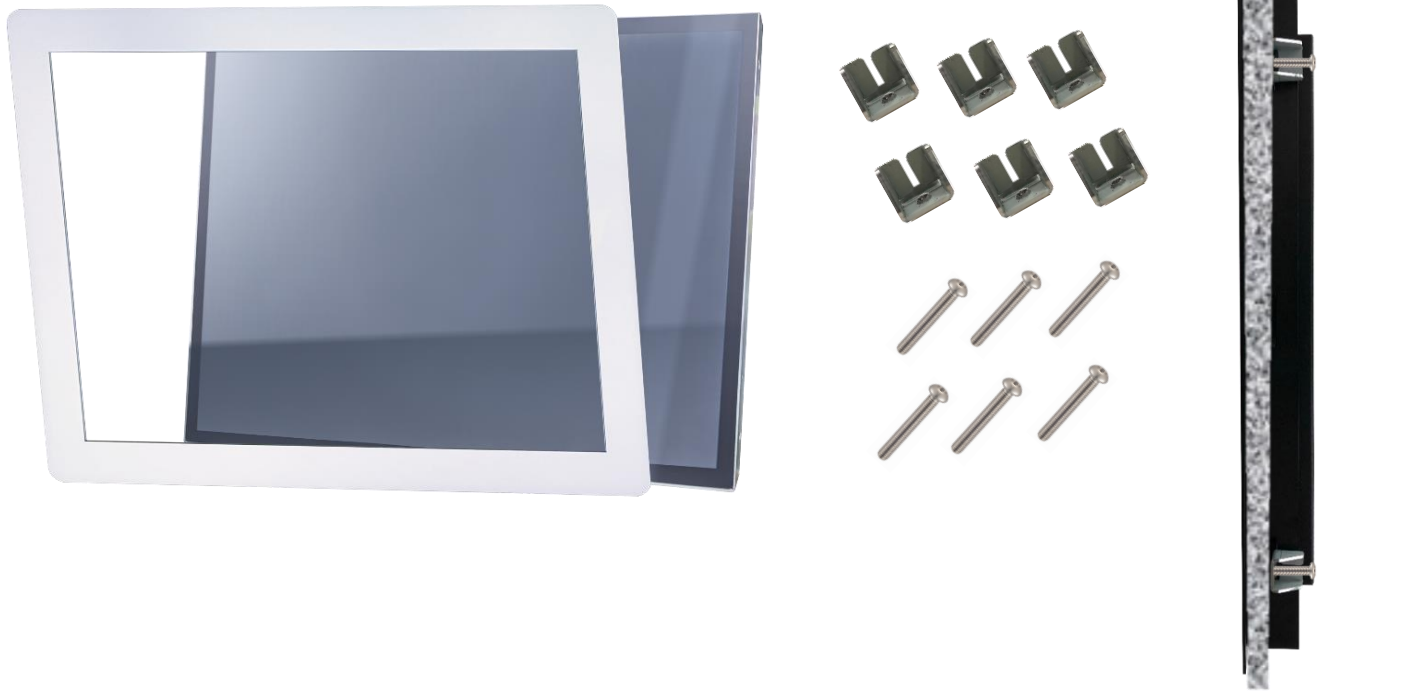
**Open-frame Brackets (Option)**



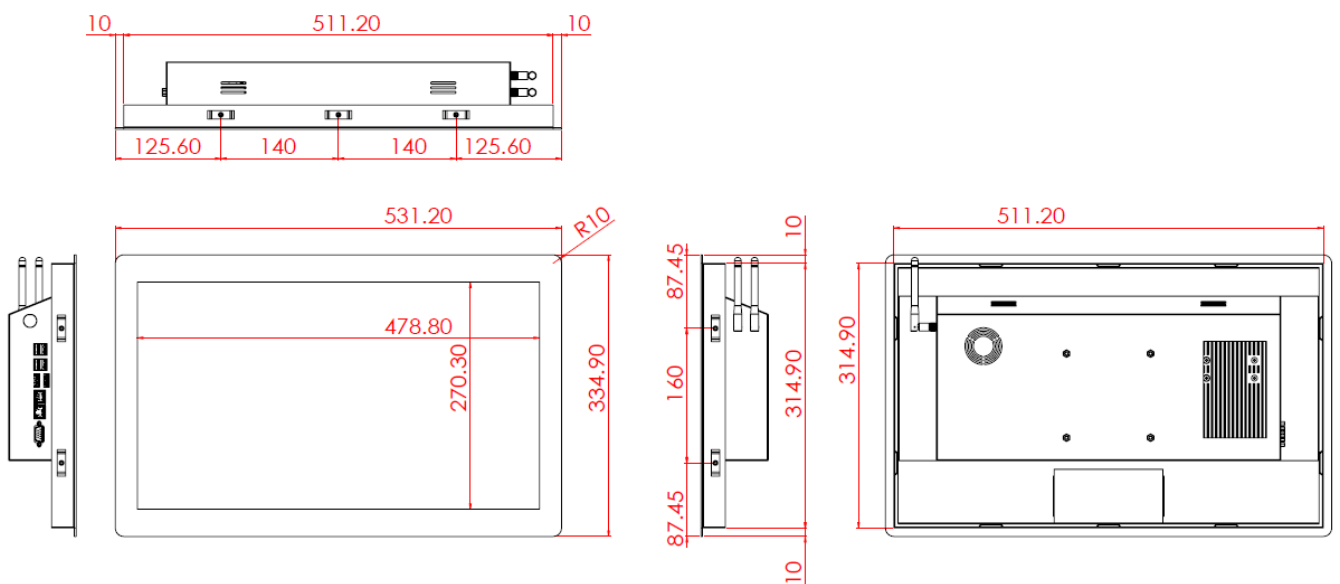
**Dimension for Installing with Open-frame Brackets**

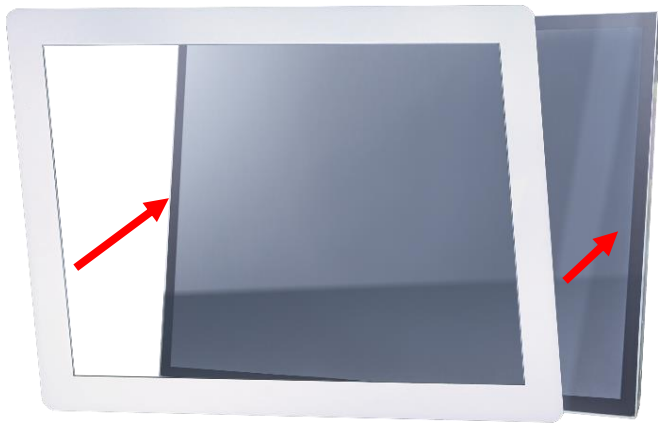


Panel Mount Kits (Option)

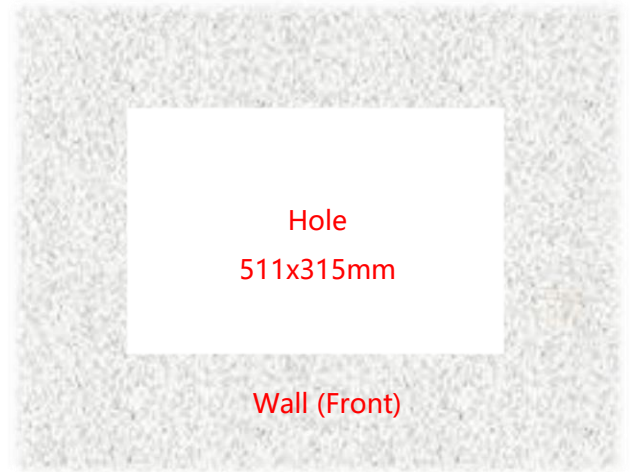


Dimension for Installing with Panel Mount Kits

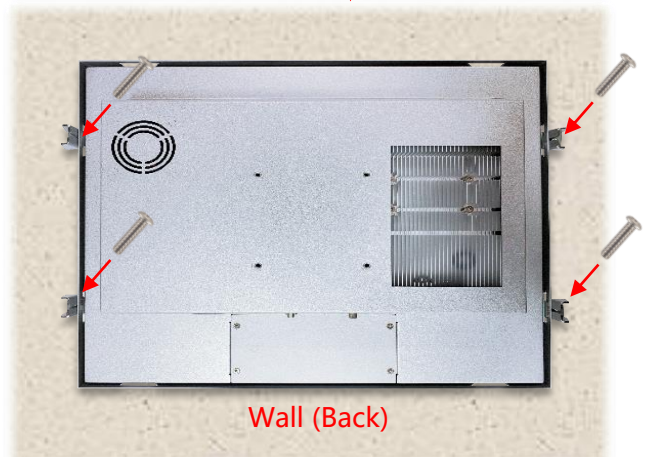




Step 1: Assemble the front module with the screen body. (This step is pre-assembled at the factory.)



Step 2: Insert the screen from the front into the pre-cut opening.



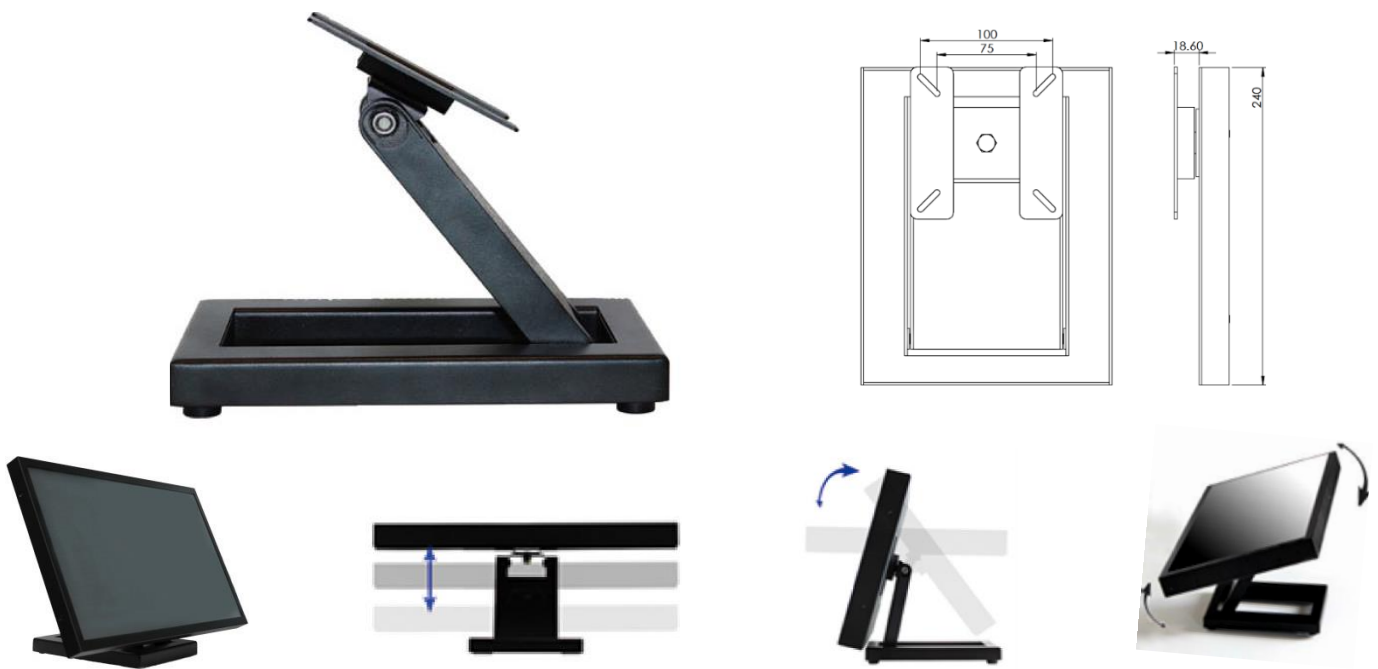
Step 3: Attach the clips from the back and secure with screws. (Up to 10 clips can be installed as needed or per positional limitations.)

### Desktop Stand (Option)

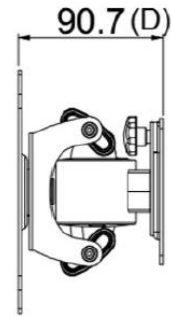
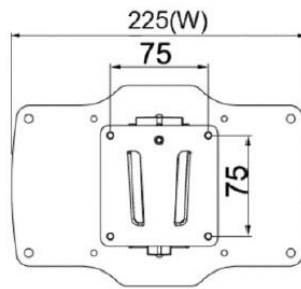
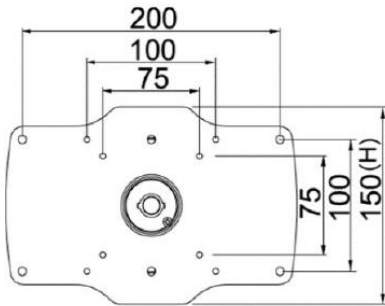
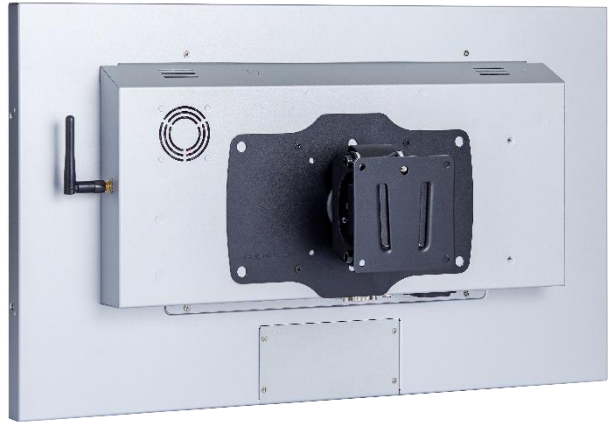
Item	B Stand	Part No.	DST-0B002/DST-1B002
Mounting Pattern	100x100 / 75x75 mm	Dimension (WxHxD)	203x275x227 mm
Material	Steel/Plastic/Aluminum	Net Weight	1.8 KG
Tilt (Hinge)	-2° ~ +180°	Support Max. Weight	15 KG



Item	Z Stand	Part No.	DST-0BZ01/DST-1BZ01
Mounting Pattern	100x100 / 75x75 mm	Dimension (WxHxD)	190x240x41.6
Material	SECC	Net Weight	2.6 KG
Tilt (Hinge)	±360°	Support Max. Weight	15 KG



## Wall Mount Bracket (Option)



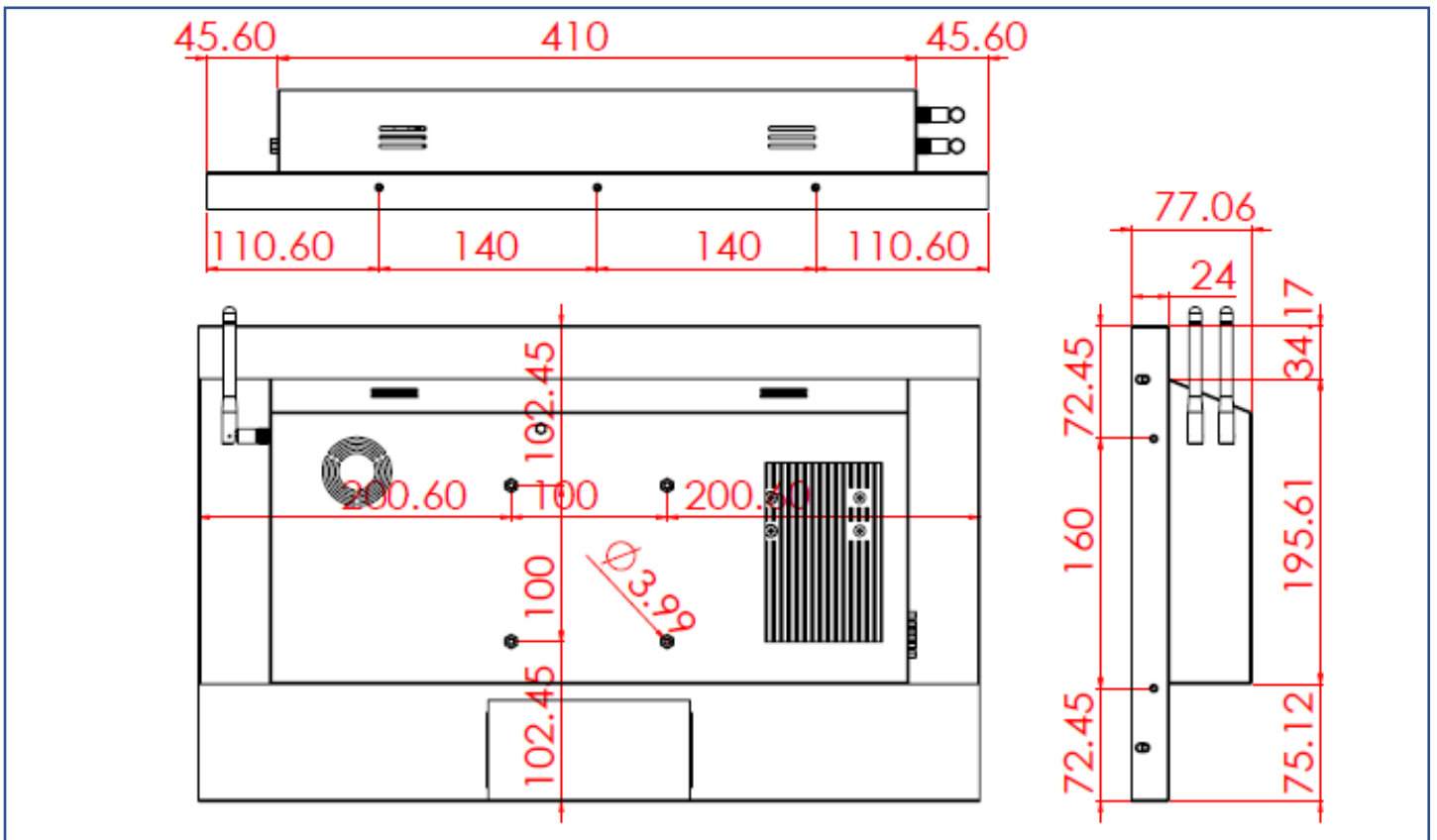
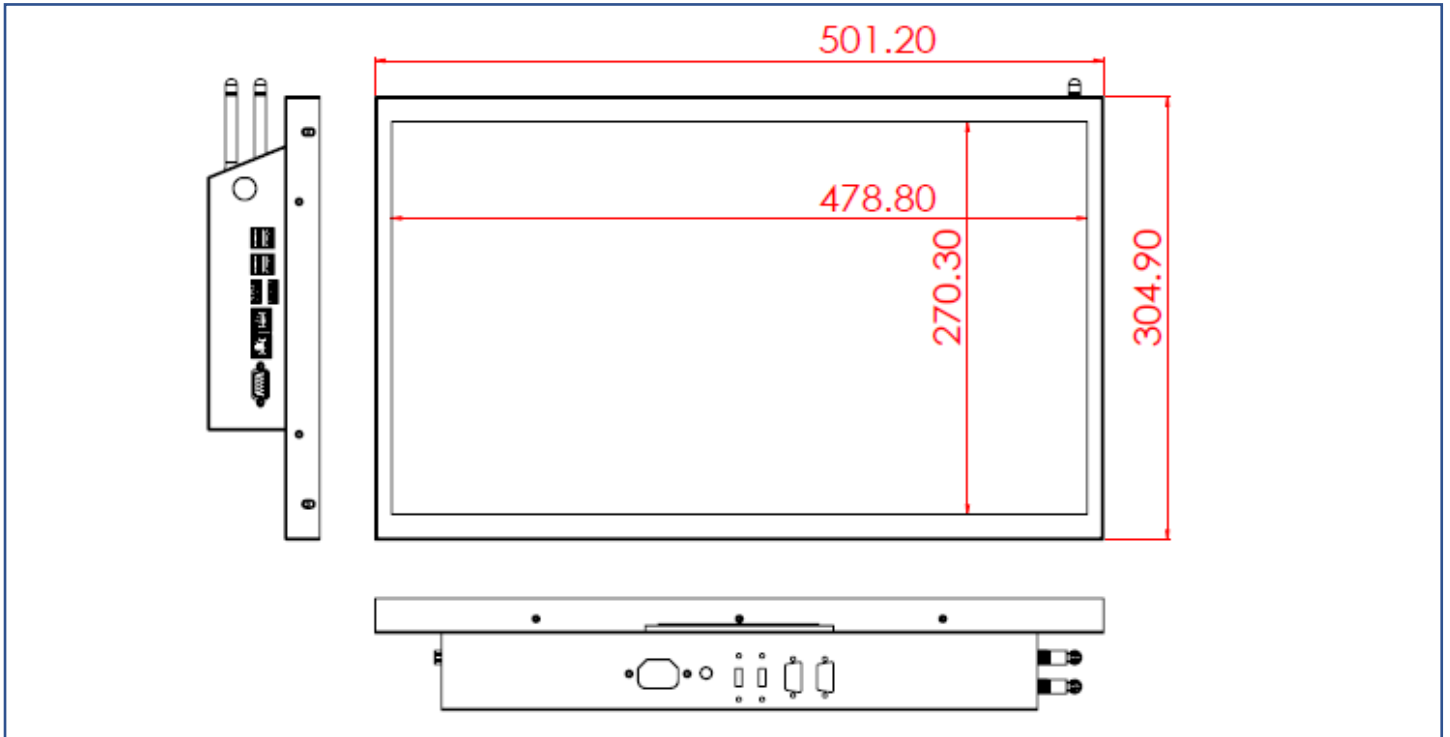
## Packing Information



Unit Carton Size	<b>670x155x445 mm</b>
Unit N. Weight	<b>≤5.4 KG</b>
Unit G. Weight	<b>≤7.2 KG</b>
Units per Pallet	<b>30 units</b>
Pallet Size	<b>120x100x147 CM</b>

## Physical Specifications

Dimension	501x305x77(±2)mm (W/O Antenna)	Net Weight	≤5.4 KG
VESA Mounting	100x100 mm	Gross Weight	≤7.2 KG



## Cosmetic Inspection Standard

Display Area Allowance			
Defect description	Defective Specifications	Allowance	Remarks
Dot Defect (including dark dot, particles, bubbles, pits, dust, foreign matter)	$D \leq 0.2\text{mm}$	Ignored	D=Diameter
	$0.2 < D \leq 0.7\text{mm}$	$N \leq 5$	N=Quantity
	$0.7 < D \leq 1\text{mm}$	$N \leq 3$	
	$D > 1\text{mm}$	$N \leq 0$	
Linear Defect (including scratches, fluff, particles)	$W \leq 0.15\text{mm}$	Ignored	W=Width
	$0.15 < W \leq 0.5\text{mm}, L \leq 15\text{mm}$	$N \leq 2$	L=Length
	$W > 0.5\text{mm}$ or $L > 15\text{mm}$	NG	

\* Visual inspection distance: 60cm, 90 degree (same for front/side/back)

Front Appearance Allowance (Including Coating)			
Defect description	Defective Specifications	Allowance	Remarks
Dot Defect (including particles, bubbles, pits...etc.)	$D \leq 0.7\text{mm}$	Ignored	D=Diameter
	$0.7 < D \leq 1.5\text{mm}$	$N \leq 3$	N=Quantity
	$D > 1.5\text{mm}$	$N \leq 0$	
Linear Defect (including scratches, fluff, particles)	$W \leq 0.2\text{mm}, L \leq 15\text{mm}$	Ignored	W=Width, L=Length
	$0.2 < W \leq 0.7\text{mm}, L \leq 15\text{mm}$	$N \leq 1$	
	$W > 0.7\text{mm}$ or $L > 15\text{mm}$	NG	

Side / Back Appearance Allowance (Including Coating)			
Defect description	Defective Specifications	Allowance	Remarks
Dot Defect (including particles, bubbles, pits...etc.)	$D \leq 1.5\text{mm}$	Ignored	D=Diameter
	$1.5 < D \leq 3\text{mm}$	$N \leq 8$	N=Quantity
	$D > 3\text{mm}$	$N \leq 2$	
Linear Defect (including scratches, fluff, particles)	$W \leq 0.8\text{mm}, L \leq 15\text{mm}$	Ignored	W=Width, L=Length
	$0.8 < W \leq 1.5\text{mm}, L \leq 15\text{mm}$	$N \leq 5$	
	$W > 1.5\text{mm}$ or $L > 15\text{mm}$	NG	



Display Area  
(Red Area)



Front Appearance (Red Area)



Back Appearance