

Product Specifications

| | |
|---------------------|--|
| Customer | |
| Model Name | NTWP215-6 V502E |
| Model Number | NTWP215H<u>X6XX</u>-GI<u>XX8XX</u>-<u>XXFX</u>-502E |

* X = A~Z, 0~9 (Depends on Options.)



| Records of Revision | | | |
|---------------------|---------------------------|-----------------|-----------------|
| Vision | Modifying | Old Description | New Description |
| v2407.1 | Preliminary Specification | | |
| | | | |
| | | | |
| | | | |
| | | | |

Nextech WP Series 21.5" All-in-one Industrial Touch PC

NTWP215-6 V502E

Features

- ★ 21.5 inch Industrial Grade Panel, 1920x1080 (FHD) Resolution
- ★ 1500nits High Brightness
- ★ Wide Viewing Angle Technology , 178°/178°
- ★ Intel® Quad-Core N3350/N4200 CPU
- ★ DDR3 8G DRAM
- ★ Narrow Bezel, True Flat Projected Capacitive Touch Screen
- ★ 7H Hardness Tempered Cover Glass
- ★ 10 points Multi-touch, Supports NEXTECH Dedicated Stylus
- ★ Metal Cabinet with Diverse Combine Options
- ★ Made in Taiwan, 3 Years Warranty, Designed for Harsh Environments
- ★ Optional AG Coating/Antibacterial/Privacy Filter Surface Treatment



PSE



BSMI



RoHS



CE



ISO9001



FCC



Desktop Stand



Wall Mounting



Open-frame Brackets



Panel Mount

System Specifications

| | |
|------------|---|
| CPU | Intel® Celeron/Pentium Processor |
| Memory | DDR3 SO-DIMM 8G |
| Storage | SATAx1, M.2 M-key (SATA 6Gb/s) x1, Full-size Mini PCIe Slot x1 |
| GPU | Intel® HD Graphics 500 |
| Sound Chip | Realtek® Audio CODEC |
| Network | Intel® i211AT Gbe LAN Chips x2 |

Display Specifications

| | | | |
|-----------------|---------------------------|--------------------------|--------------------------|
| Screen Diagonal | 21.5 inch | Display Mode | Normally Black |
| Display Area | 476.6x268.1 mm | Backlight Unit | LED (white LED) |
| Resolution | 1920x1080 (FHD) | Viewing Angle (L/R, U/D) | 178°/178° (CR=10) |
| Contrast Ratio | 1000:1 | Response Time | 14 msec. |
| Display Ratio | 16:9 | Backlight Lifetime | >30,000 Hours |
| Support Colors | 16.7M Colors | Operating Temp. | -20~70°C |
| Pixel Pitch | 0.24825x0.24825 mm | Storage Temp. | -30~80°C |
| Brightness | 1500nits | | |

Nextech WP Series 21.5" All-in-one Industrial Touch PC

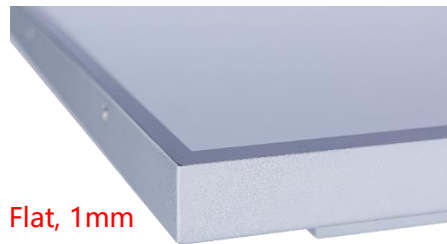
NTWP215-6 V502E

Touch Options

| Touch Screen | | |
|-----------------|-----------------------------------|---------------------------------------|
| | Description | Model Name |
| Standard | Projected Capacitive Touch | NTWP215HP6XX-GIXX8XX-XXFX-502E |
| Option | Non-Touch | NTWP215X0SXX-GIXX8XX-XXXX-502E |

Projected Capacitive Touch

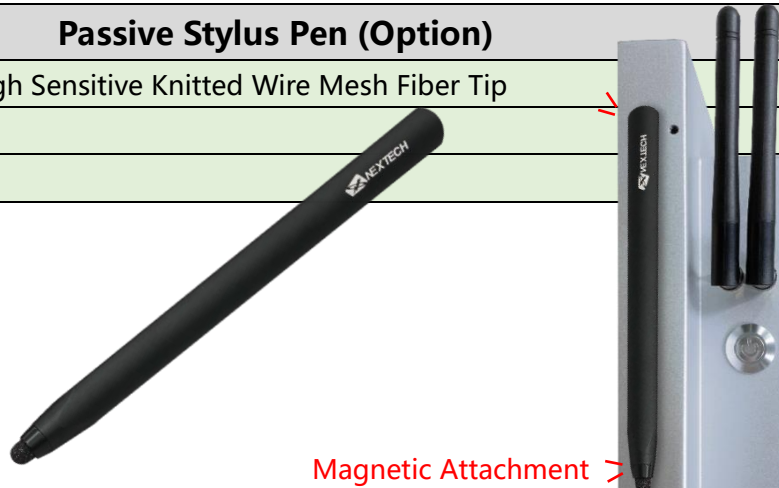
| | | | |
|----------------------|----------------------|-------------------------|-----------|
| Touch Technology | Projected Capacitive | Thickness of Cover Lens | 2.9±0.2mm |
| Allowed Touch Points | 10 points | Hardness of Cover Lens | 7H |
| Transparency | ≥87% | IK Ratings | IK07 |
| Accuracy | 99.00% | | |



* True Flat, 1mm

| Surface Treatment | | |
|-------------------|-------------------------|---------------------------------------|
| | Description | Model Name |
| Standard | (none) | NTWP215HX600-GIXX8XX-XXFX-502E |
| Option 1 | Anti-Glare Coating | NTWP215HX6GG-GIXX8XX-XXFX-502E |
| Option 2 | Antibacterial (AB Film) | NTWP215HX6AB-GIXX8XX-XXFX-502E |
| Option 3 | Anti-Spy (AS Film) | NTWP215HX6SF-GIXX8XX-XXFX-502E |

| Passive Stylus Pen (Option) | |
|-----------------------------|--|
| Technology | Passive High Sensitive Knitted Wire Mesh Fiber Tip |
| Size of tip | 6mm |
| Magnetic Attachment | Yes |



Magnetic Attachment

System Options

| CPU | | |
|-----------------|--------------|---------------------------------------|
| | Item | Model Name |
| Standard | N3350 | NTWP215HX6XX-GIC18XX-XXFX-502E |
| Option | N4200 | NTWP215HX6XX-GIC28XX-XXFX-502E |

| Storage | | |
|-----------------|------------------------|---------------------------------------|
| | Item | Model Name |
| Standard | SSD 128G | NTWP215HX6XX-GIXX8S1-XXFX-502E |
| Option 1 | SSD 256G | NTWP215HX6XX-GIXX8S2-XXFX-502E |
| Option 2 | SSD 512G | NTWP215HX6XX-GIXX8S3-XXFX-502E |
| Option 3 | SATA HDD 1T | NTWP215HX6XX-GIXX8H1-XXFX-502E |
| Option 4 | SSD 128G + SATA HDD 1T | NTWP215HX6XX-GIXX8SH-XXFX-502E |

| Material of Cabinet | | |
|---------------------|-----------------|---------------------------------------|
| | Description | Model Name |
| Standard | SECC | NTWP215HX6XX-GIXX8XX-SXFX-502E |
| Option 1 | Stainless Steel | NTWP215HX6XX-GIXX8XX-LXFX-502E |
| Option 2 | Aluminum | NTWP215HX6XX-GIXX8XX-AXFX-502E |

System Options (Continued)

| Color of Cabinet | | |
|------------------|---------------|--|
| | Description | Model Name |
| Standard | Silver | NTWP215HX6XX-GIXX8XX-XSFX-502E |
| Option 1 | White | NTWP215HX6XX-GIXX8XX-X W FX-502E |
| Option 2 | Black | NTWP215HX6XX-GIXX8XX-X B FX-502EE |
| Options | Other Colors | NTWP215HX6XX-GIXX8XX-X X FX-502E |

* X = A~Z, 0~9 (Depends on Color)

| Power Input | | |
|-----------------|---------------------------------------|--|
| | Description | Model Name |
| Standard | 9~36VDC-in, with AC/DC Adapter | NTWP215HX6XX-GIXX8XX-XXF4-502E |
| Option | 100~240V AC, C14 AC Power Socket | NTWP215HX6XX-GIXX8XX-XXF A -502E |

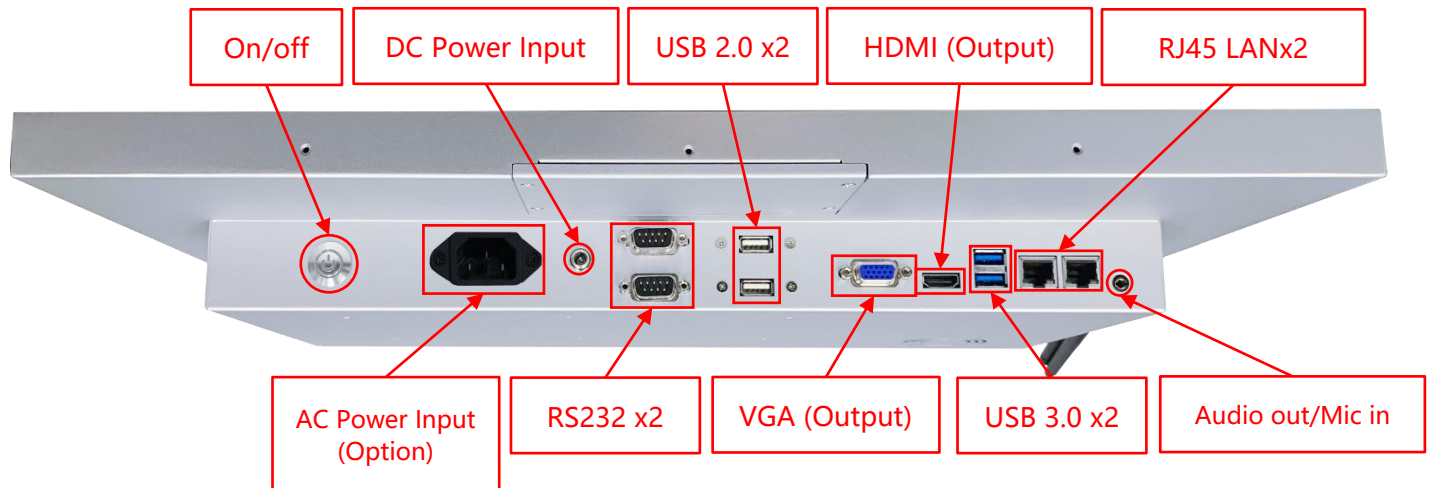


DC-in



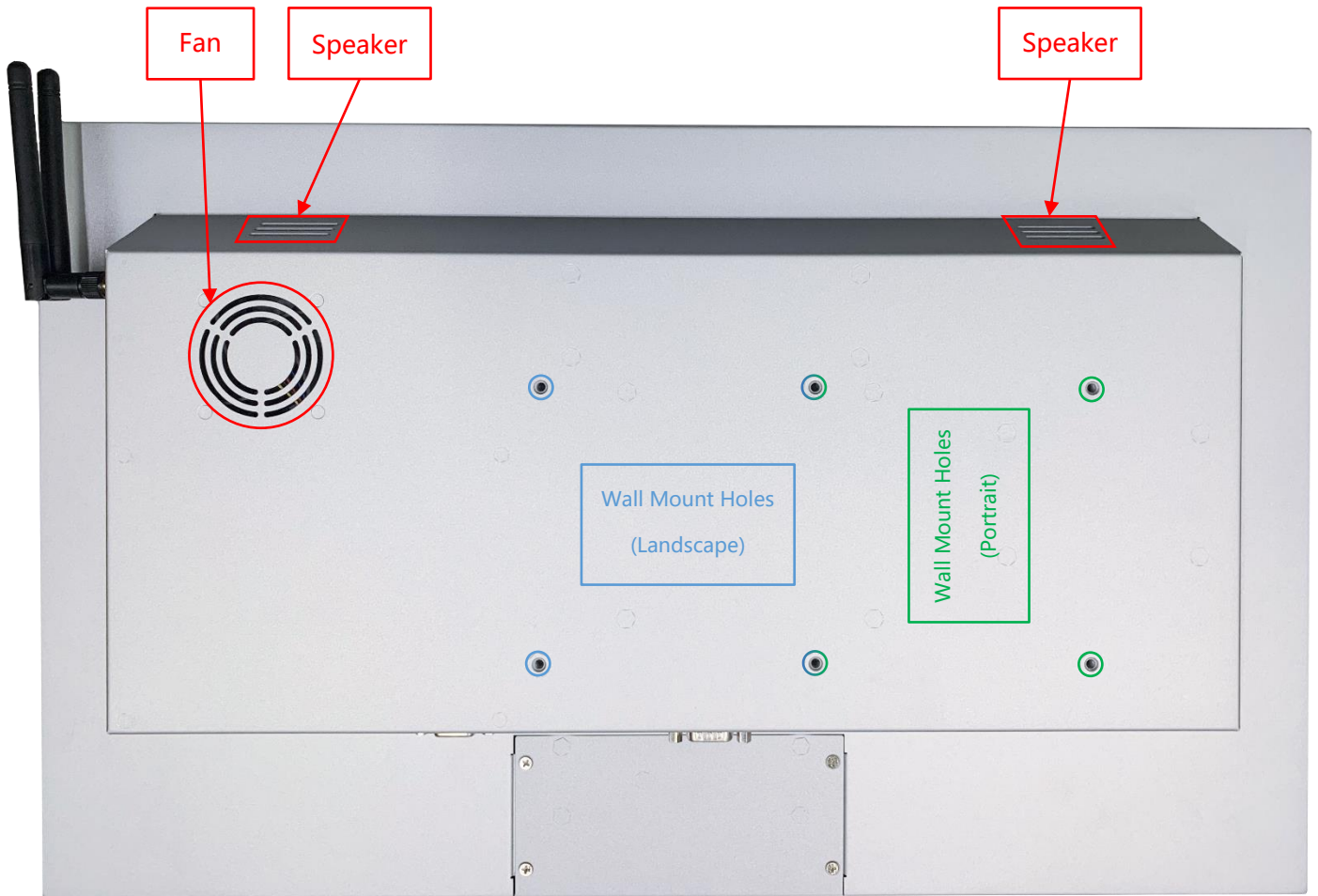
AC-in

Input /Output System



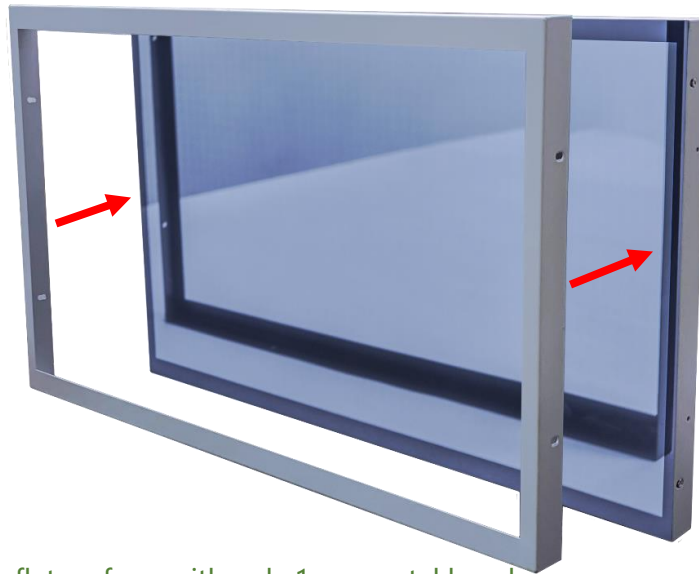
Nextech WP Series 21.5" All-in-one Industrial Touch PC

NTWP215-6 V502E



| Input / Output | Connectors | Input / Output | Connectors |
|---------------------------------|------------|---------------------------|------------|
| HDMI (Output) | 1 | USB 3.0 | 2 |
| VGA (Output) | 1 | USB 2.0 | 2 |
| Audio Output /Mic Input (3.5mm) | 1 | RS232 | 2 |
| DC Power Input | 1 | LAN (RJ45) | 2 |
| AC Power Input | Option | Wi-Fi/Bluetooth & Antenna | Option |
| Speakers | 2W x2 | | |

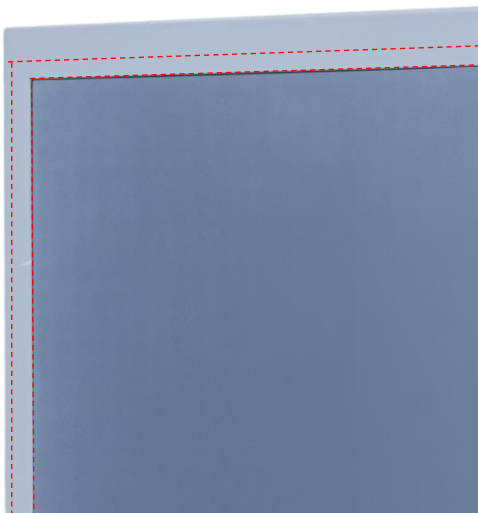
Front Cover (Option)



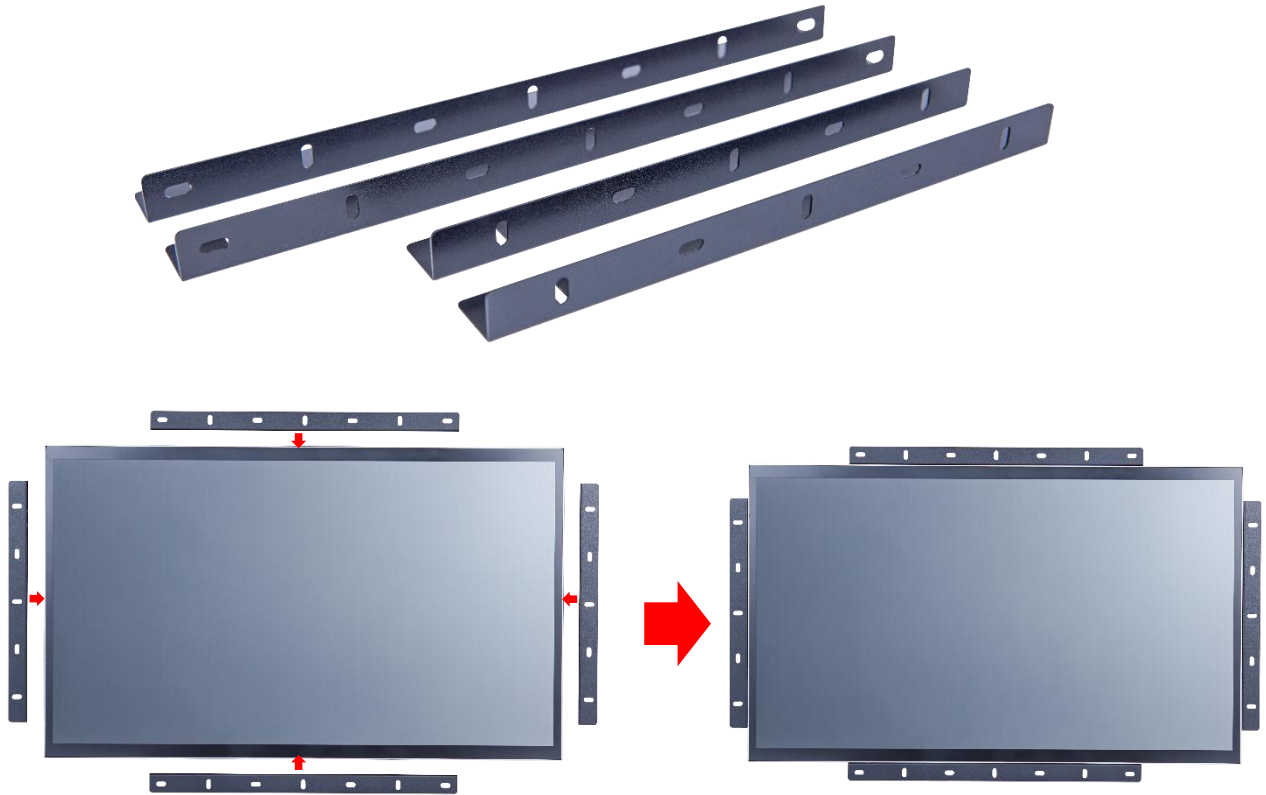
The standard **NTWP215** is true flat surface, with only 1mm metal bezel.
To protect the corners of the touch screen, the **Front Cover** can be added.



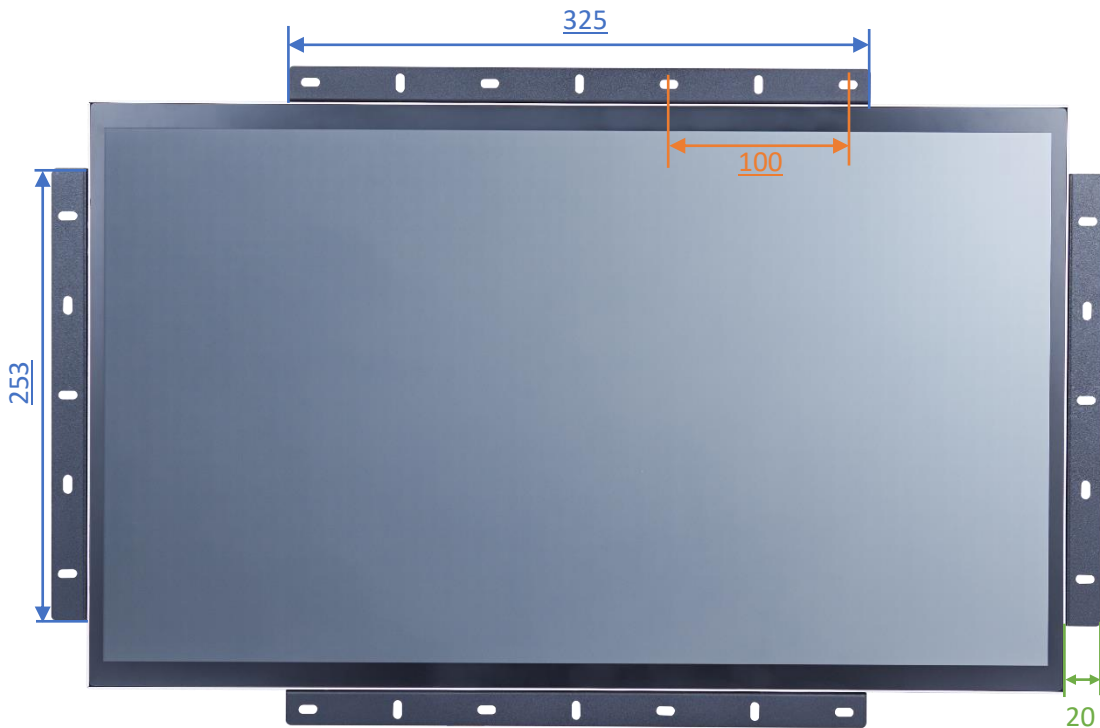
The watertight gasket can be added between the **Front Cover** and **NTWP215**.
It complies **IP65** on front.



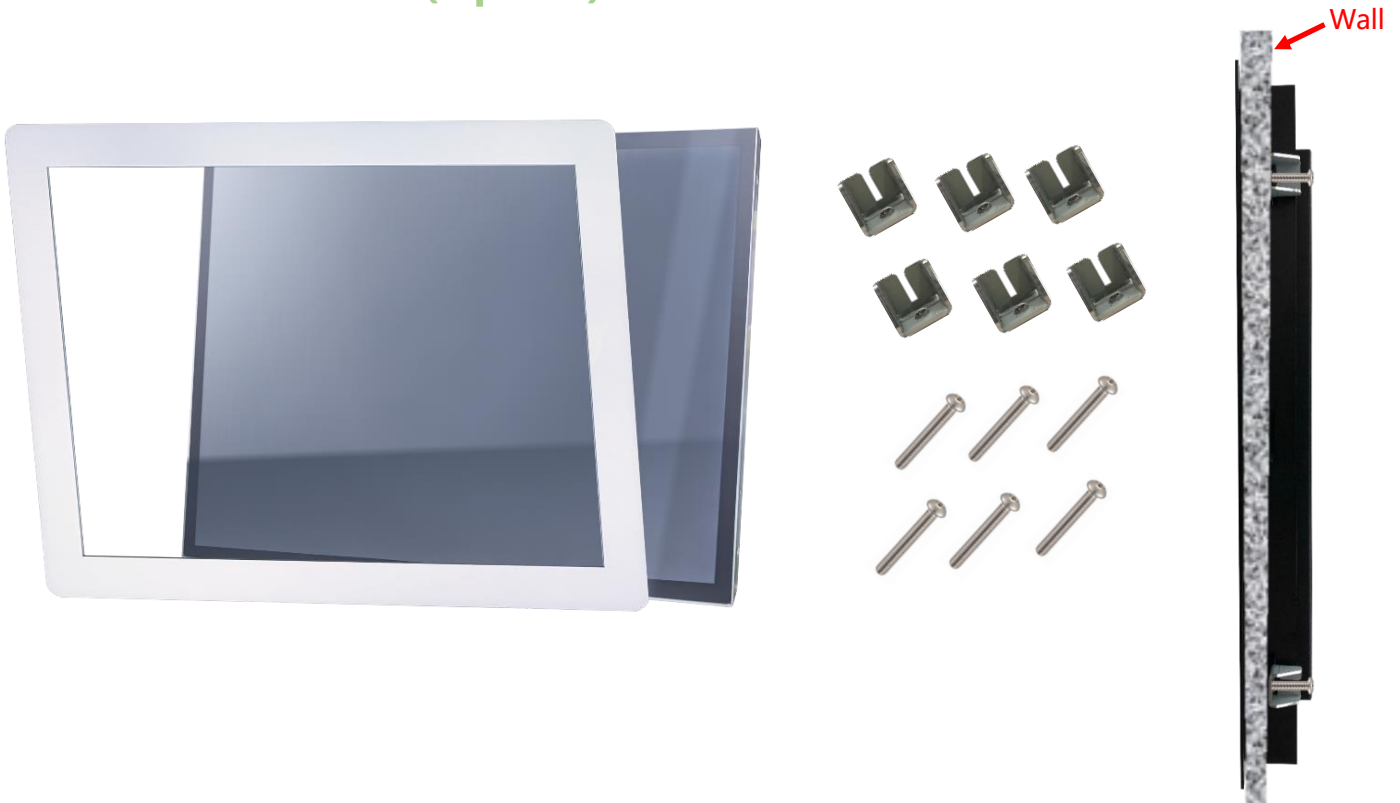
Open-frame Brackets (Option)



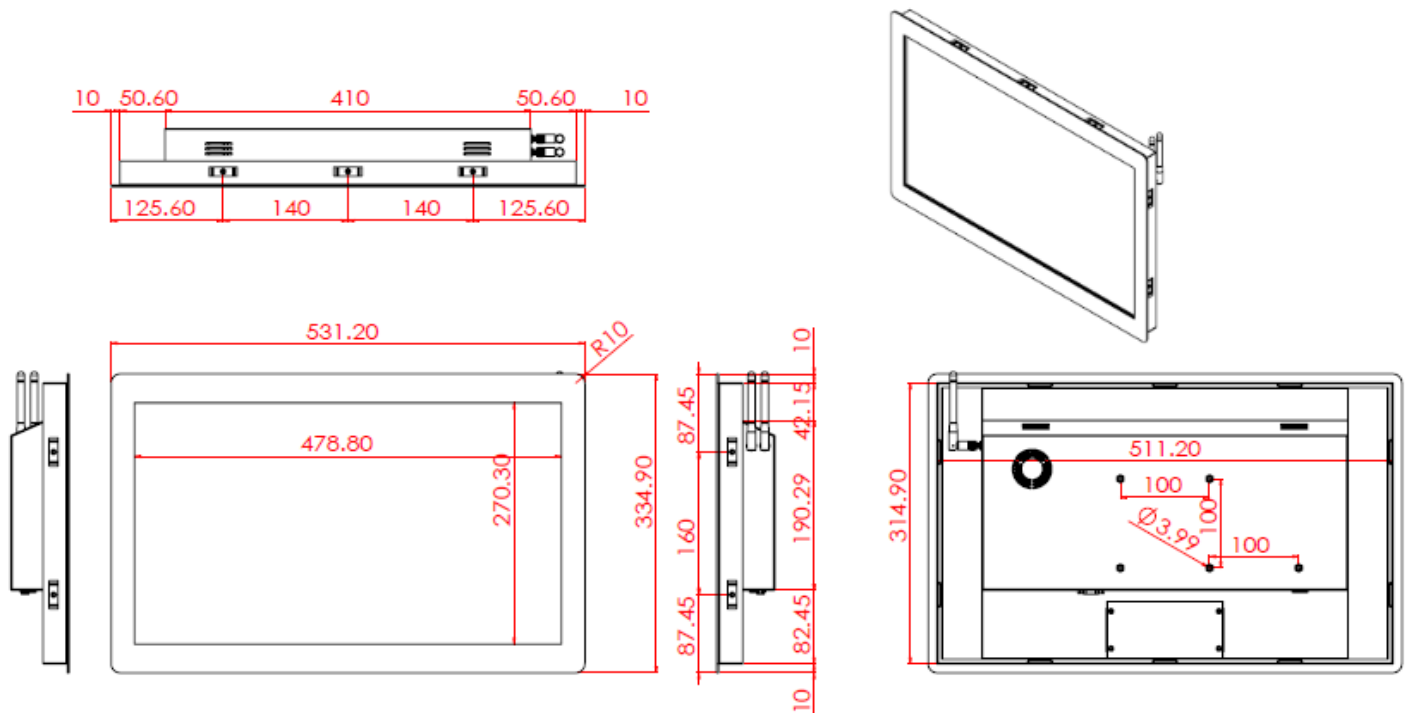
Dimension for Installing with Open-frame Brackets



Panel Mount Kits (Option)

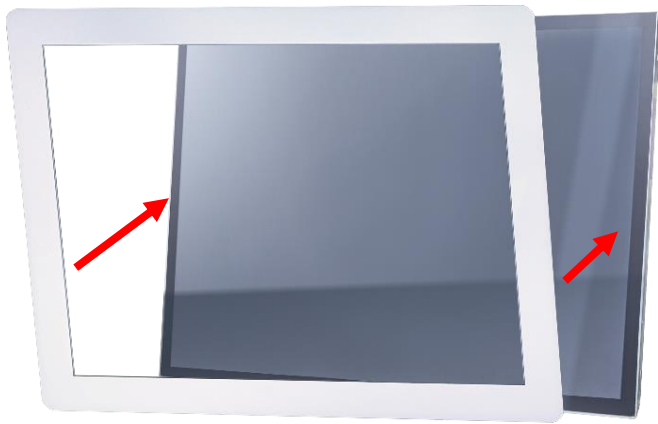


Dimension for Installing with Panel Mount Kits

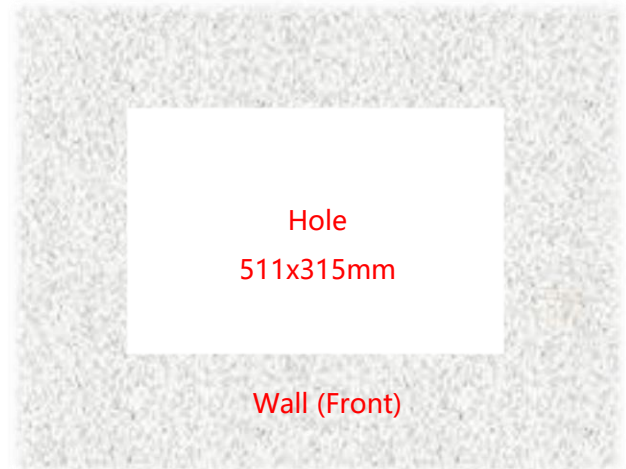


Nextech WP Series 21.5" All-in-one Industrial Touch PC

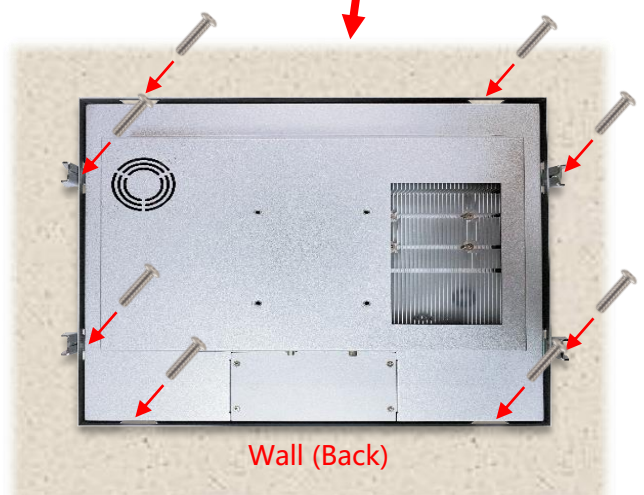
NTWP215-6 V502E



Step 1: Assemble the front module with the screen body. (This step is pre-assembled at the factory.)



Step 2: Insert the screen from the front into the pre-cut opening.



Step 3: Attach the clips from the back and secure with screws. (Up to 10 clips can be installed as needed or per positional limitations.)

Nextech WP Series 21.5" All-in-one Industrial Touch PC

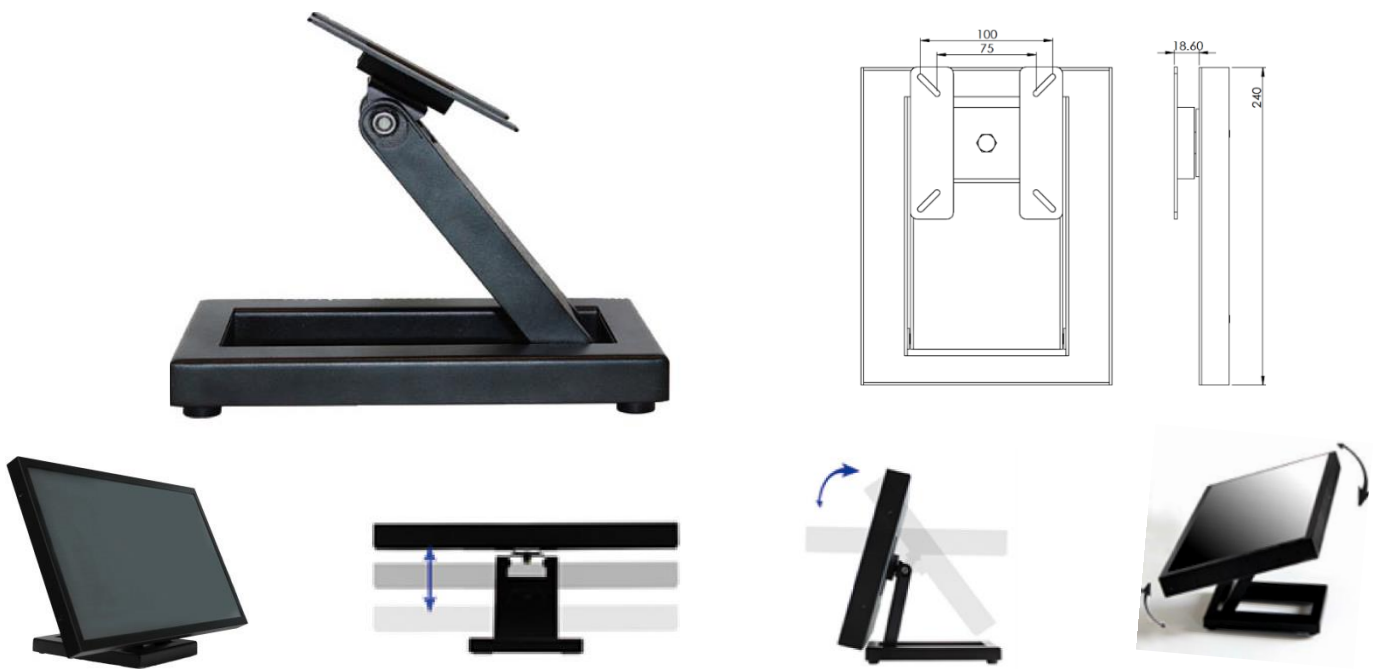
NTWP215-6 V502E

Desktop Stand (Option)

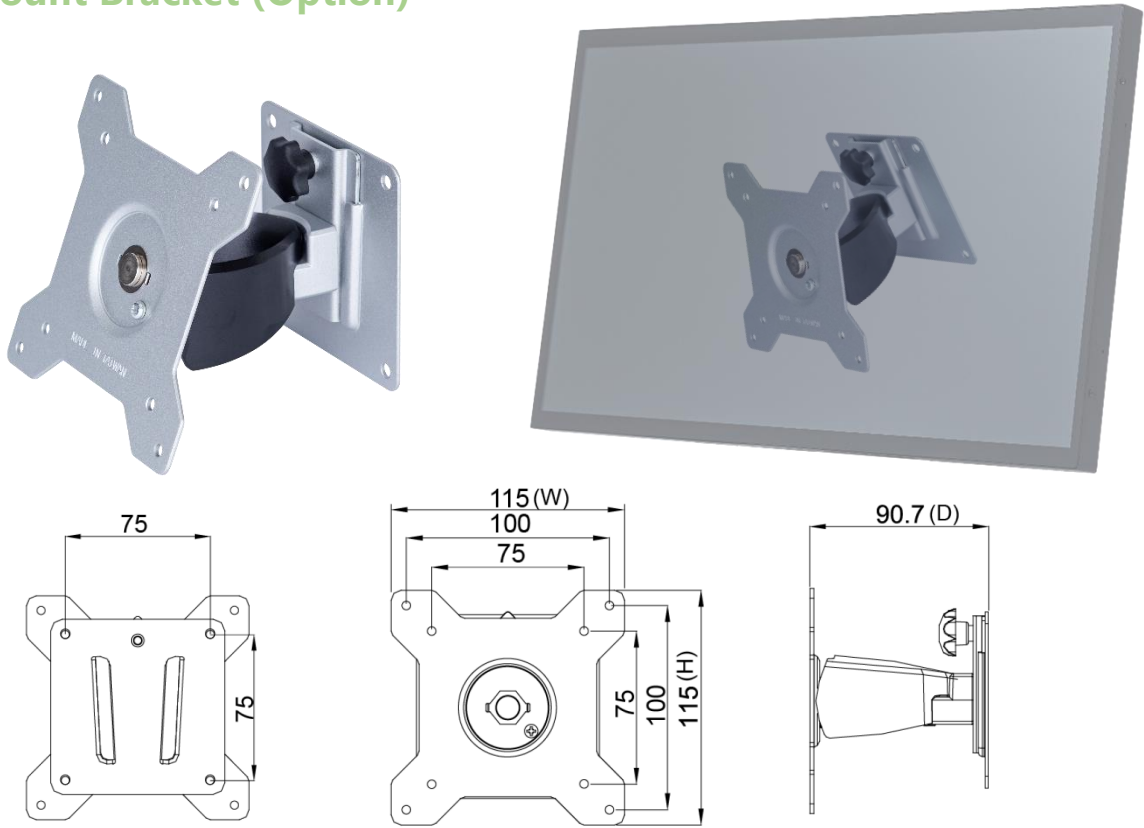
| | | | |
|------------------|------------------------|---------------------|---------------------|
| Item | B Stand | Part No. | DST-0B002/DST-1B002 |
| Mounting Pattern | 100x100 / 75x75 mm | Dimension (WxHxD) | 203x275x227 mm |
| Material | Steel/Plastic/Aluminum | Net Weight | 1.8 KG |
| Tilt (Hinge) | -2° ~ +180° | Support Max. Weight | 15 KG |



| | | | |
|------------------|--------------------|---------------------|---------------------|
| Item | Z Stand | Part No. | DST-0BZ01/DST-1BZ01 |
| Mounting Pattern | 100x100 / 75x75 mm | Dimension (WxHxD) | 190x240x41.6 |
| Material | SECC | Net Weight | 2.6 KG |
| Tilt (Hinge) | ±360° | Support Max. Weight | 15 KG |



Wall Mount Bracket (Option)



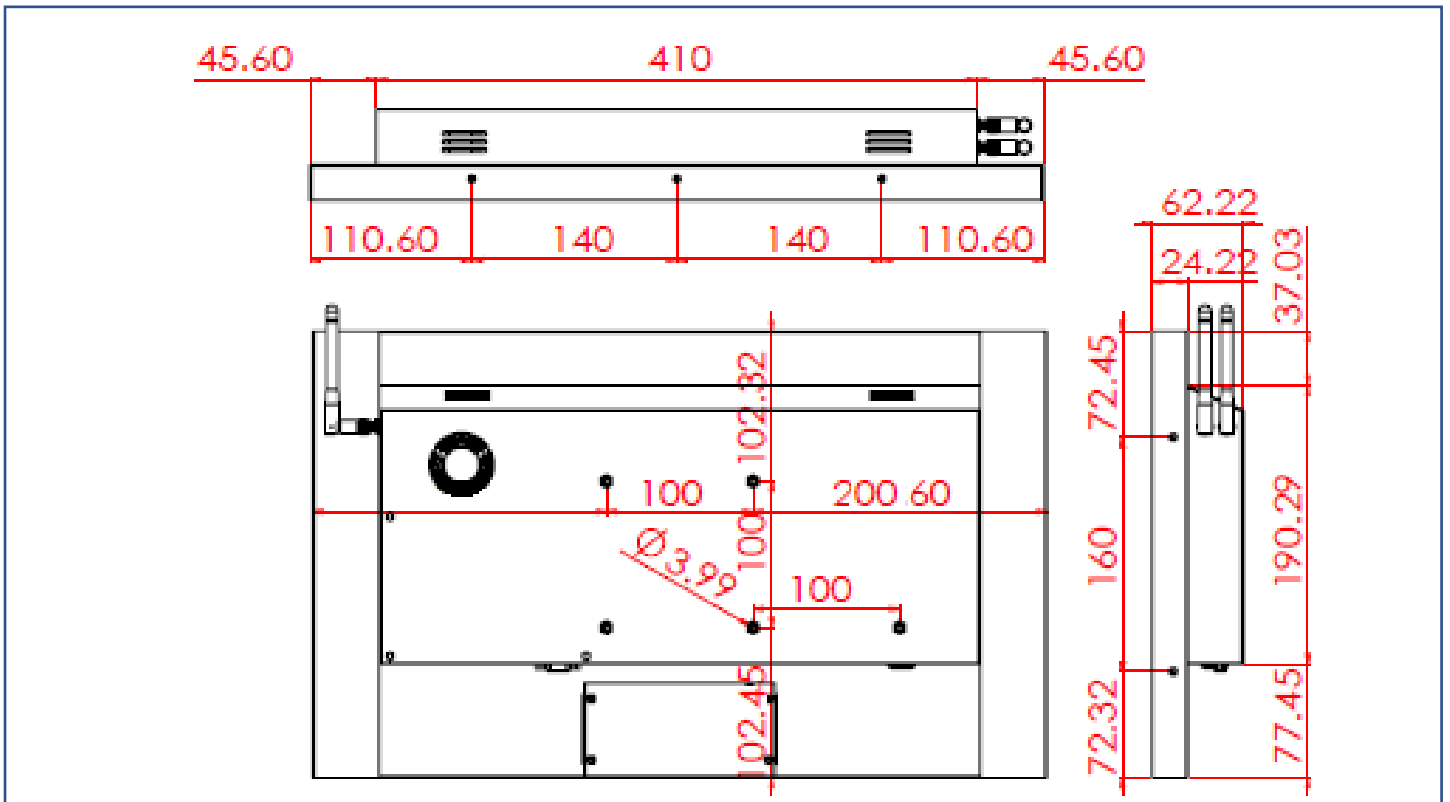
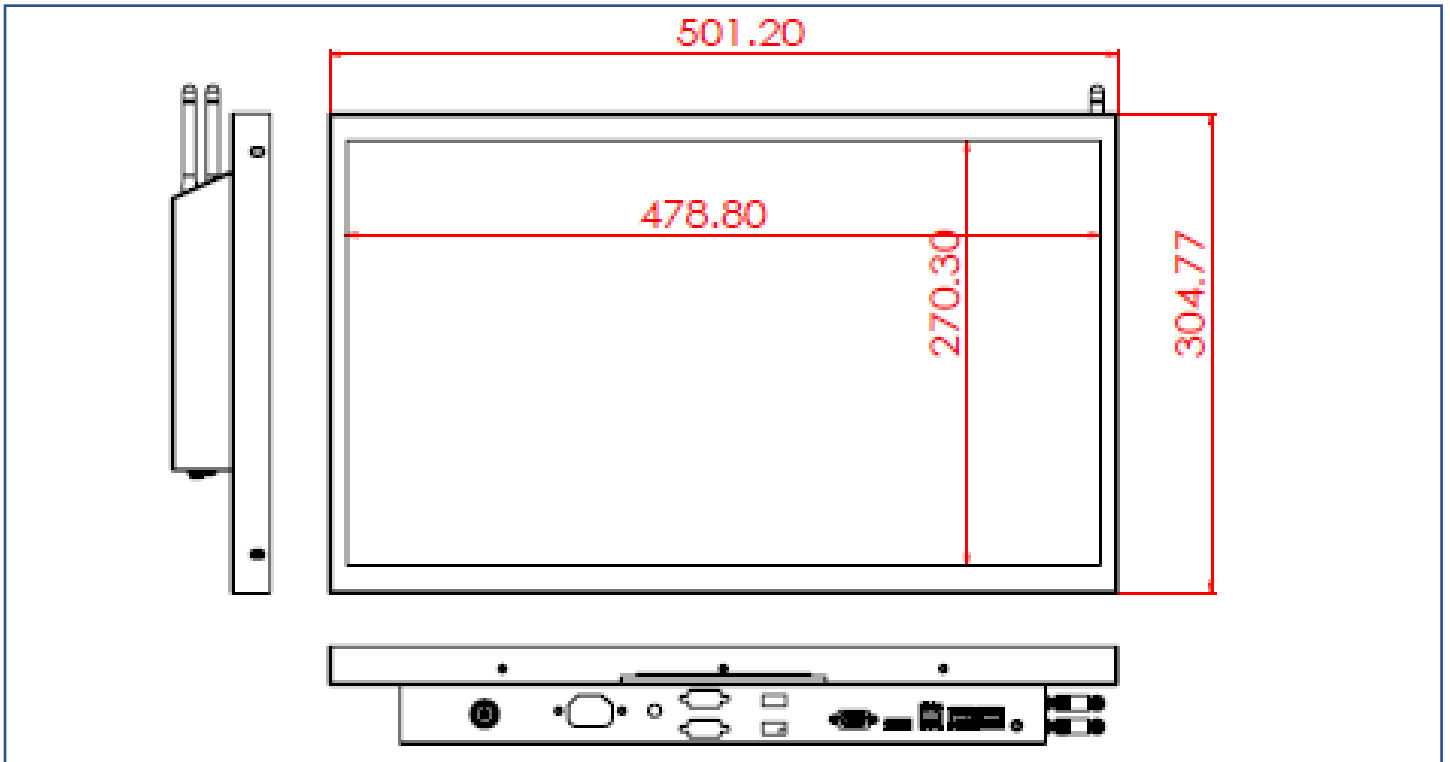
Packing Information



| | |
|------------------|-----------------------|
| Unit Carton Size | 670x155x445 mm |
| Unit N. Weight | ≤5.1 KG |
| Unit G. Weight | ≤7.2 KG |
| Units per Pallet | 30 units |
| Pallet Size | 120x100x147 CM |

Physical Specifications

| | | | |
|---------------|------------------|--------------|---------|
| Dimension | 501x305x62(±2)mm | Net Weight | ≤5.1 KG |
| VESA Mounting | 100x100 mm | Gross Weight | ≤7.2 KG |



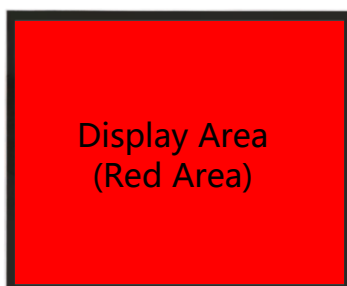
Cosmetic Inspection Standard

| Display Area Allowance | | | |
|--|--|------------|------------|
| Defect description | Defective Specifications | Allowance | Remarks |
| Dot Defect (including dark dot, particles, bubbles, pits, dust, foreign matter) | $D \leq 0.2\text{mm}$ | Ignored | D=Diameter |
| | $0.2 < D \leq 0.7\text{mm}$ | $N \leq 5$ | N=Quantity |
| | $0.7 < D \leq 1\text{mm}$ | $N \leq 3$ | |
| | $D > 1\text{mm}$ | $N \leq 0$ | |
| Linear Defect (including scratches, fluff, particles) | $W \leq 0.15\text{mm}$ | Ignored | W=Width |
| | $0.15 < W \leq 0.5\text{mm}, L \leq 15\text{mm}$ | $N \leq 2$ | L=Length |
| | $W > 0.5\text{mm}$ or $L > 15\text{mm}$ | NG | |

* Visual inspection distance: 60cm, 90 degree (same for front/side/back)

| Front Appearance Allowance (Including Coating) | | | |
|--|---|------------|-------------------|
| Defect description | Defective Specifications | Allowance | Remarks |
| Dot Defect (including particles, bubbles, pits...etc.) | $D \leq 0.7\text{mm}$ | Ignored | D=Diameter |
| | $0.7 < D \leq 1.5\text{mm}$ | $N \leq 3$ | N=Quantity |
| | $D > 1.5\text{mm}$ | $N \leq 0$ | |
| Linear Defect (including scratches, fluff, particles) | $W \leq 0.2\text{mm}, L \leq 15\text{mm}$ | Ignored | W=Width, L=Length |
| | $0.2 < W \leq 0.7\text{mm}, L \leq 15\text{mm}$ | $N \leq 1$ | |
| | $W > 0.7\text{mm}$ or $L > 15\text{mm}$ | NG | |

| Side / Back Appearance Allowance (Including Coating) | | | |
|--|---|------------|-------------------|
| Defect description | Defective Specifications | Allowance | Remarks |
| Dot Defect (including particles, bubbles, pits...etc.) | $D \leq 1.5\text{mm}$ | Ignored | D=Diameter |
| | $1.5 < D \leq 3\text{mm}$ | $N \leq 8$ | N=Quantity |
| | $D > 3\text{mm}$ | $N \leq 2$ | |
| Linear Defect (including scratches, fluff, particles) | $W \leq 0.8\text{mm}, L \leq 15\text{mm}$ | Ignored | W=Width, L=Length |
| | $0.8 < W \leq 1.5\text{mm}, L \leq 15\text{mm}$ | $N \leq 5$ | |
| | $W > 1.5\text{mm}$ or $L > 15\text{mm}$ | NG | |



Display Area
(Red Area)



Front Appearance (Red Area)



Back Appearance