

Product Specifications

Customer	
Model Name	NTWP170-2 V502E
Model Number	NTWP170<u>XX2XX</u>-GI<u>XX8XX</u>-<u>XXXX</u>-502E

* X = A~Z, 0~9 (Depends on Options.)



Records of Revision			
Vision	Modifying	Old Description	New Description
v2209.1	Preliminary Specification		
v2209.2	Add Stylus Pen Option		
v2209.3	New trademark released		

Nextech WP Series 17" All-in-one Industrial Touch PC

NTWP170-2 V502E

Features

- ★ 17 inch Industrial Grade Panel, 1280x1024 Resolution
- ★ Operating Temperature Range -30~85°C
- ★ Intel® Quad-Core N3350/N4200 CPU
- ★ DDR3 8G DRAM
- ★ Narrow Bezel, True Flat Projected Capacitive Touch Screen
- ★ 7H Hardness Tempered Cover Glass
- ★ 10 points Multi-touch, Supports NEXTECH Dedicated Stylus
- ★ Metal Cabinet with Diverse Combine Options
- ★ Made in Taiwan, 3 Years Warranty, Designed for Harsh Environments
- ★ Optional High Brightness 1500nits, for Outdoor Environment
- ★ Optional AG Coating/Antibacterial/Privacy Filter Surface Treatment



Desktop Stand



Wall Mounting



Open-frame Bracket



Panel Mount

System Specifications

CPU	Intel® Celeron/Pentium Processor
Memory	DDR3 SO-DIMM 8G
Storage	SATAx1, M.2 M-key (SATA 6Gb/s) x1, Full-size Mini PCIe Slot x1
GPU	Intel® HD Graphics 500
Sound Chip	Realtek® Audio CODEC
Network	Intel® i211AT Gbe LAN Chips x2

Display Specifications

Screen Diagonal	432mm (17.0 inch)	Display Mode	TN Type, Normally Black
Display Area	337.9x270.3 mm	Backlight Unit	LED (white LED)
Resolution	1280x1024	Viewing Angle (L/R, U/D)	80°/80°/60°/80°
Contrast Ratio	800:1	Response Time	30 msec.
Display Ratio	4:3	Backlight Lifetime	>50,000 Hours
Support Colors	16.7M Colors	Operating Temp.	-30~85°C
Pixel Pitch	264x264 um	Storage Temp.	-30~85°C

Display Options

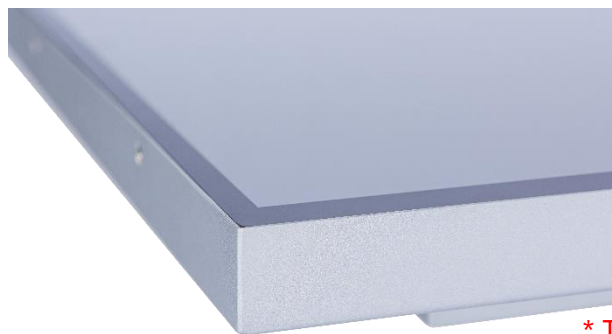
Brightness			
	Brightness	Environment	Model Name
Standard	350nits	General (Indoor)	NTWP170NX2XX-GIXX8XX-XXXX-502E
Option 1	1000nits	Outdoor Environment	NTWP170AX2XX-GIXX8XX-XXFX-502E
Option 2	1500nits	Sunlight Readable	NTWP170FX2XX-GIXX8XX-XXFX-502E

Nextech WP Series 17" All-in-one Industrial Touch PC

NTWP170-2 V502E

Touch Options

Projected Capacitive			
Model Name	NTWP170X <u>P</u> 2XX-GIXX8XX-XXXX-502E		
Touch Technology	Projected Capacitive	Thickness of Cover Lens	2.0±0.2mm
Allowed Touch Points	10 points	Hardness of Cover Lens	7H
Transparency	≥87%	IK Ratings	IK07
Accuracy	99.00%		



* True Flat, 1mm Bezel

Non-Touch	
Model Name	NTWP170X <u>0</u> 2XX-GIXX8XX-XXXX-502E

Surface Treatment		
	Description	Model Name
Standard	(none)	NTWP170XX2<u>00</u>-GIXX8XX-XXXX-502E
Option 1	Anti-Glare Coating	NTWP170XX2 <u>GG</u> -GIXX8XX-XXXX-502E
Option 2	Antibacterial (AB Film)	NTWP170XX2 <u>AB</u> -GIXX8XX-XXXX-502E
Option 3	Anti-Spy (AS Film)	NTWP170XX2 <u>SF</u> -GIXX8XX-XXXX-502E

System Options

CPU		
	Item	Model Name
Standard	N3350	NTWP170XX2XX-GIC18XX-XXXX-502E
Option	N4200	NTWP170XX2XX-GIC28XX-XXXX-502E

Storage		
	Item	Model Name
Standard	SSD 128G	NTWP170XX2XX-GIXX8S1-XXXX-502E
Option 1	SSD 256G	NTWP170XX2XX-GIXX8S2-XXXX-502E
Option 2	SSD 512G	NTWP170XX2XX-GIXX8S3-XXXX-502E
Option 3	SATA HDD 1T	NTWP170XX2XX-GIXX8H1-XXXX-502E
Option 4	SSD 128G + SATA HDD 1T	NTWP170XX2XX-GIXX8SH-XXXX-502E

Material of Cabinet		
	Description	Model Name
Standard	SECC	NTWP170XX2XX-GIXX8XX-SXXX-502E
Option 1	Stainless Steel	NTWP170XX2XX-GIXX8XX-LXXX-502E
Option 2	Aluminum	NTWP170XX2XX-GIXX8XX-AXXX-502E

Color of Cabinet		
	Description	Model Name
Standard	Silver	NTWP170XX2XX-GIXX8XX-XSXX-502E
Option 1	White	NTWP170XX2XX-GIXX8XX-XWXX-502E
Option 2	Black	NTWP170XX2XX-GIXX8XX-XBXX-502E
Options	Other Colors	NTWP170XX2XX-GIXX8XX-XXXX-502E

* X = A~Z, 0~9 (Depends on Color)

System Options (Continued)

Cooling Fan		
	Description	Model Name
Standard	Fanless	NTWP170XX2XX-GIXX8XX-XX0X-502E
Option	7 Blades/4000r.p.m/28.3dB	NTWP170XX2XX-GIXX8XX-XXFX-502E

Power Input		
	Description	Model Name
Standard	9~36VDC-in, with AC/DC Adapter	NTWP170XX2XX-GIXX8XX-XXX4-502E
Option	100~240V AC, C14 AC Power Socket	NTWP170XX2XX-GIXX8XX-XXXA-502E

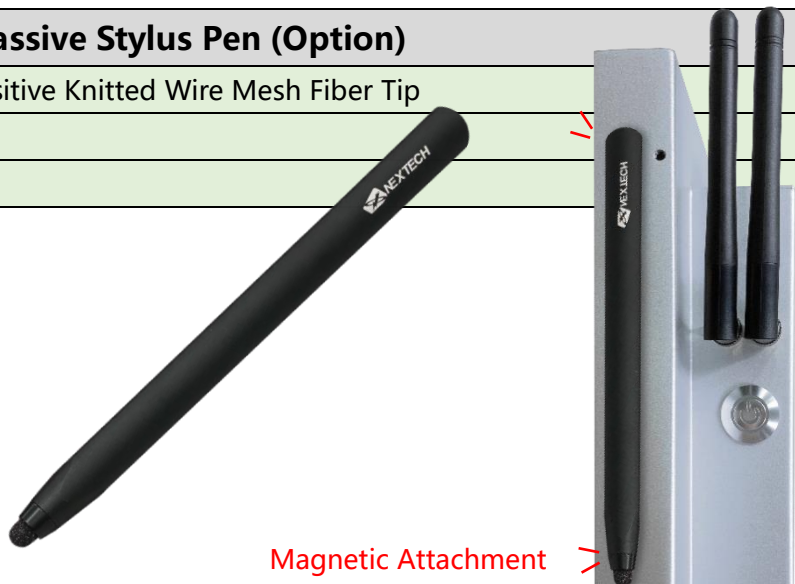


DC-in



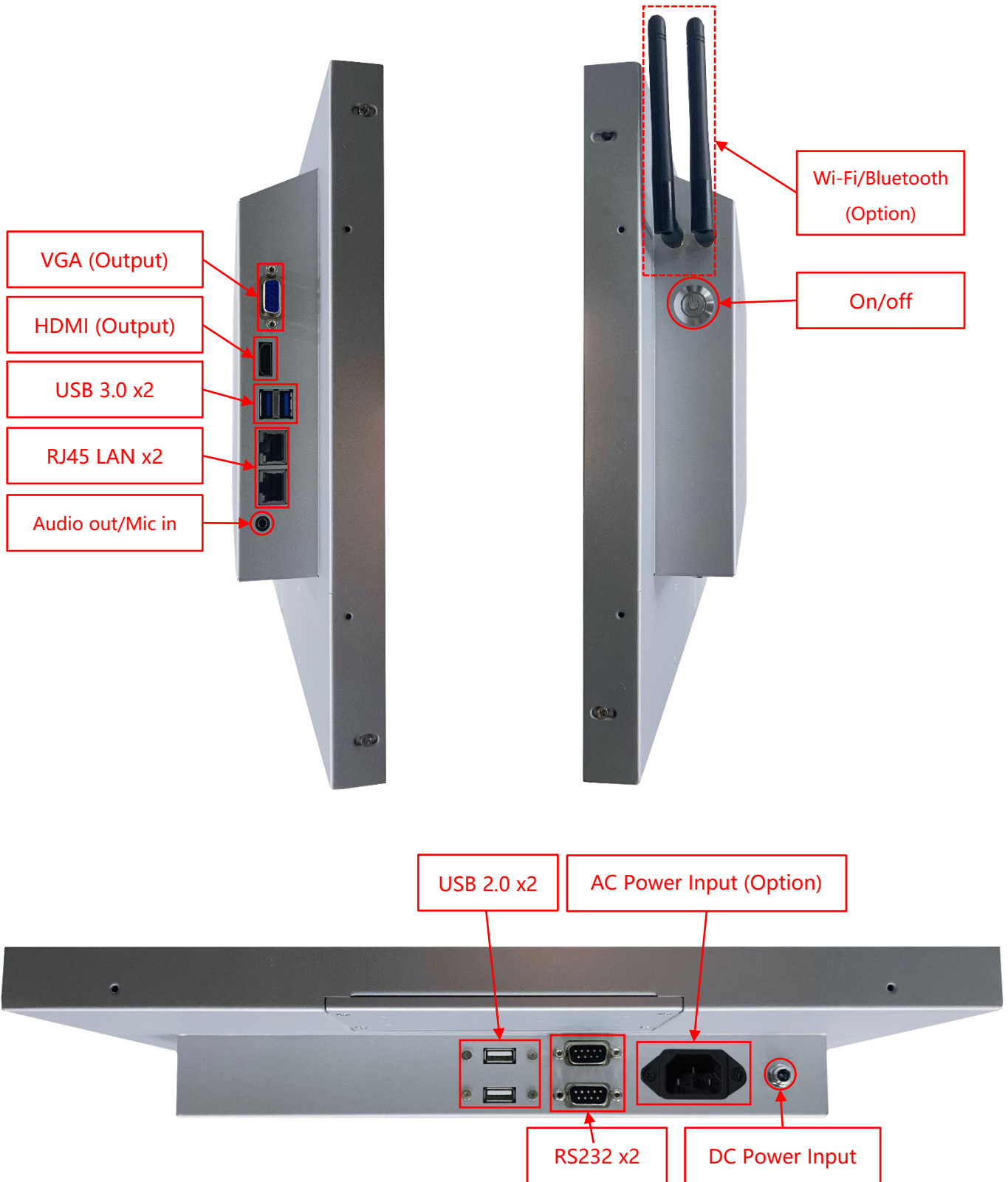
AC-in

Passive Stylus Pen (Option)	
Technology	Passive High Sensitive Knitted Wire Mesh Fiber Tip
Size of tip	6mm
Magnetic Attachment	Yes



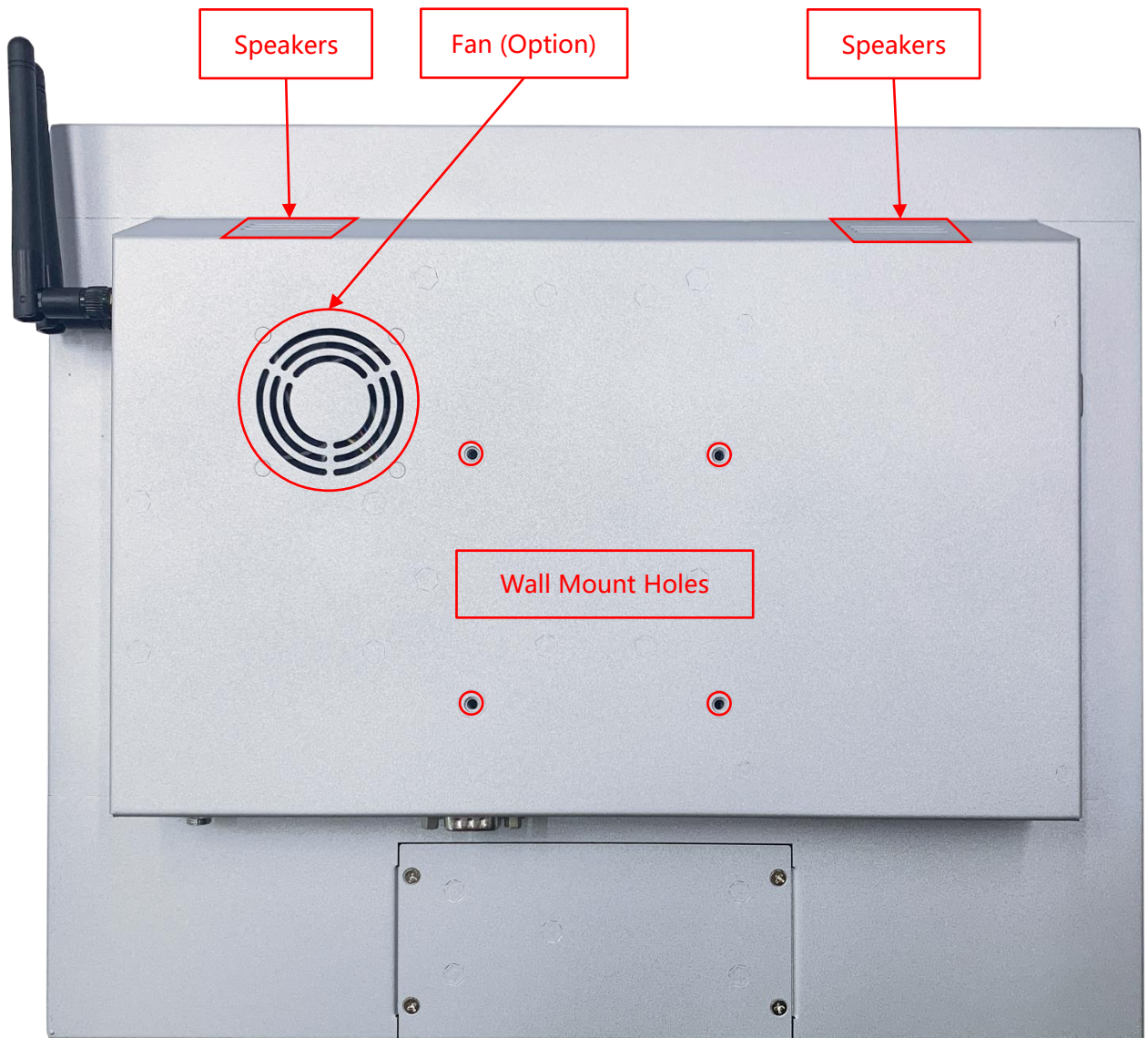
Magnetic Attachment

Input /Output System



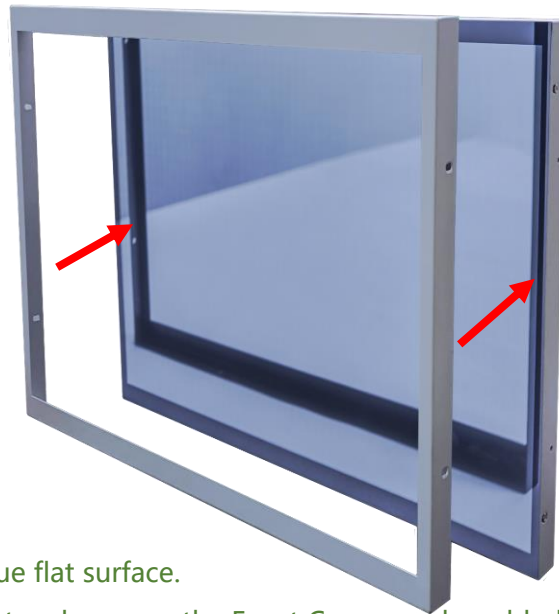
Nextech WP Series 17" All-in-one Industrial Touch PC

NTWP170-2 V502E



Input / Output	Connectors	Input / Output	Connectors
HDMI (Output)	1	USB 3.0	2
VGA (Output)	1	USB 2.0	2
Audio Output /Mic Input (3.5mm)	1	RS232	2
DC Power Input	1	LAN (RJ45)	2
Speakers	2W x2	Wi-Fi/Bluetooth & Antenna	Option

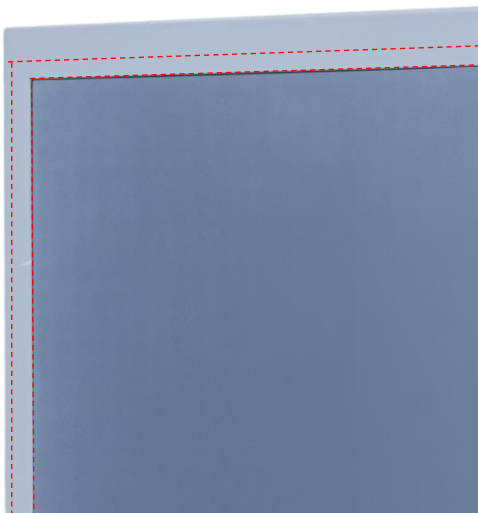
Front Cover (Option)



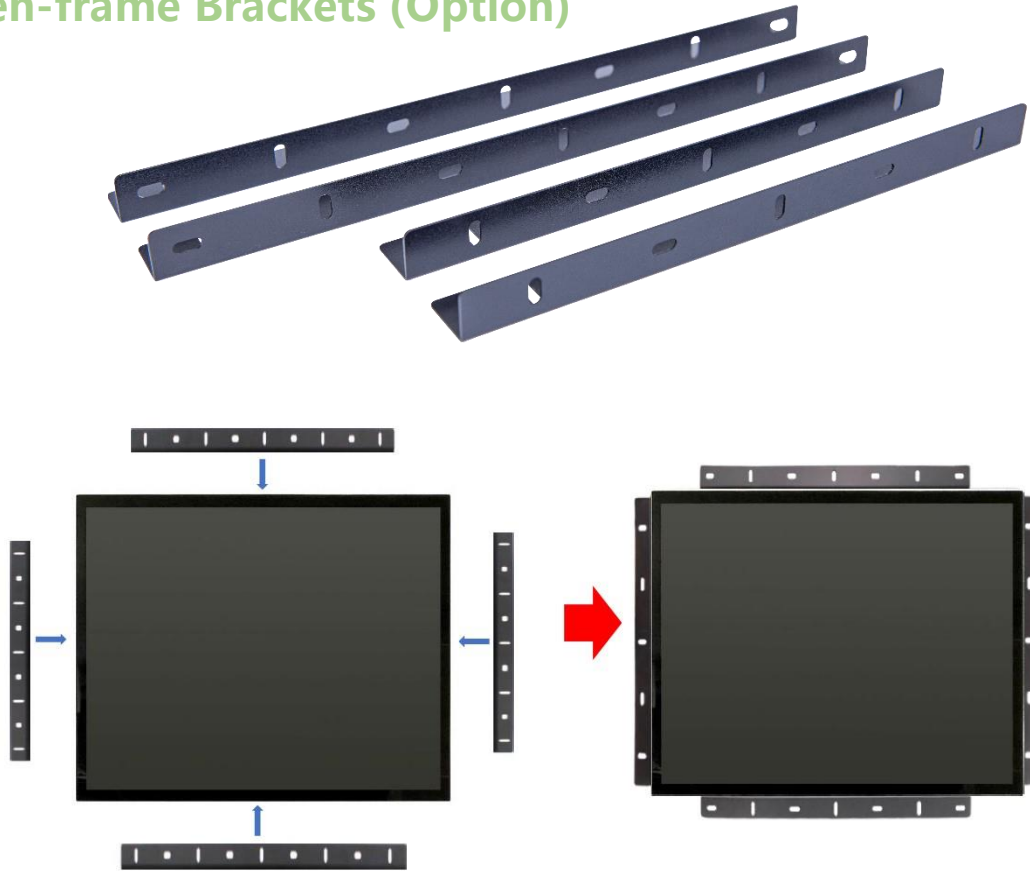
The standard **NTWP170** is true flat surface.
To protect the corners of the touch screen, the Front Cover can be added.



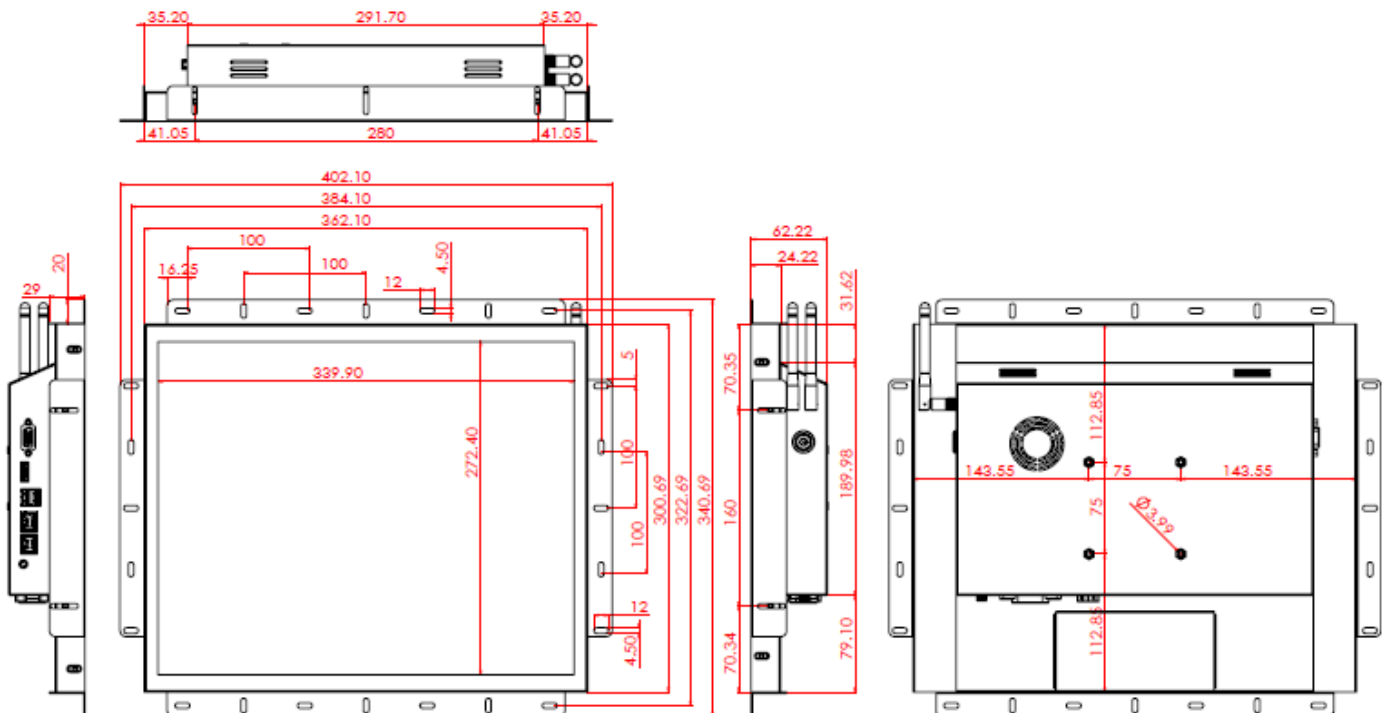
The watertight gasket can be added between the Front Cover and **NTWP170**.
It complies **IP65** on front.



Open-frame Brackets (Option)



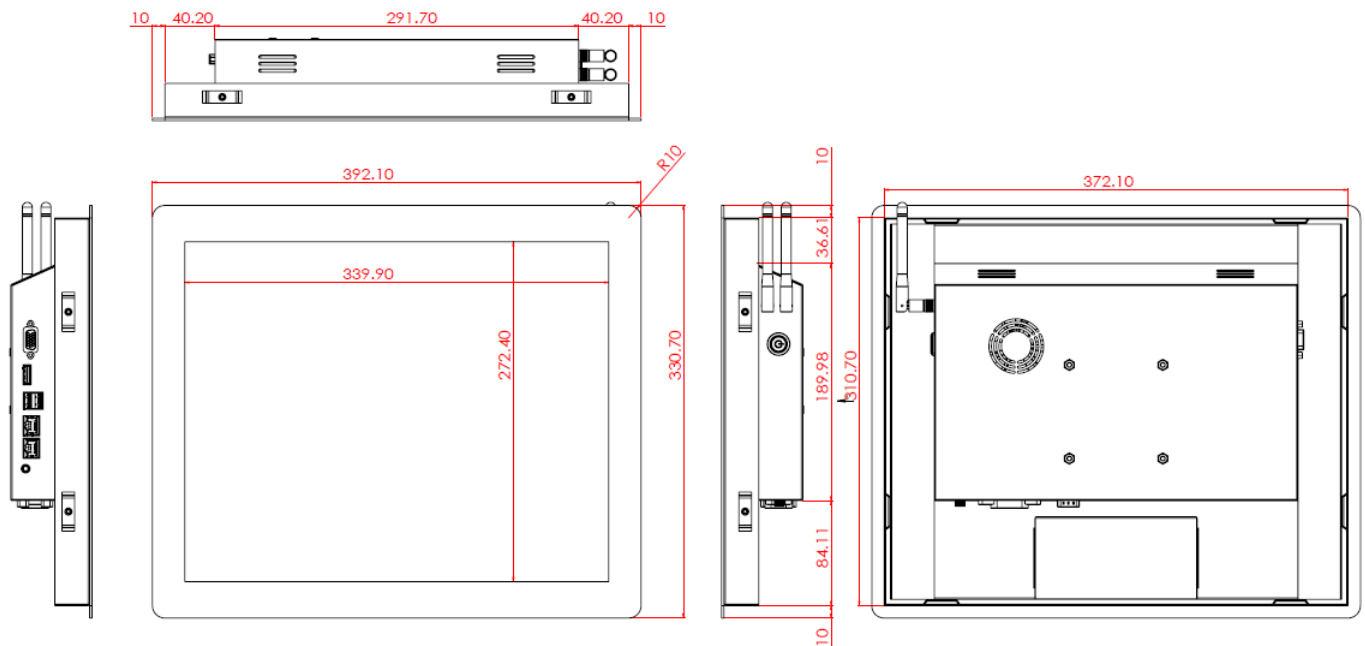
Dimension for Installing with open-frame Brackets



Panel Mount Kits (Option)

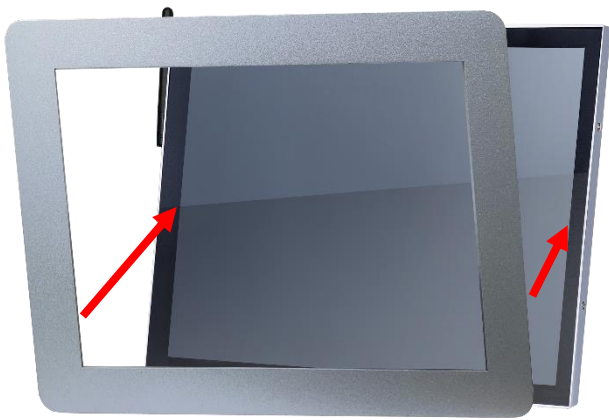


Dimension for Installing with Panel Mount Kits

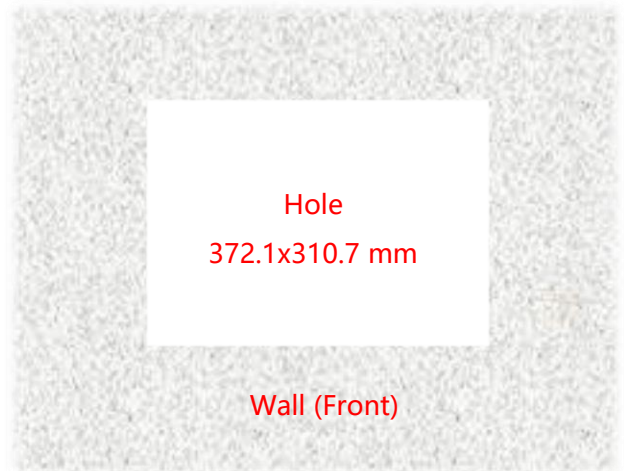


Nextech WP Series 17" All-in-one Industrial Touch PC

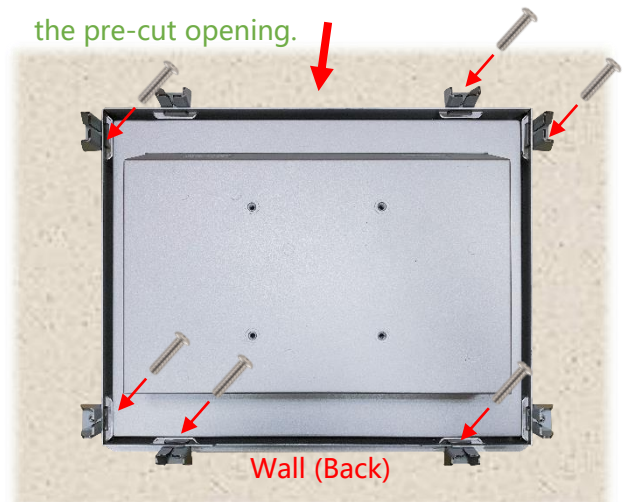
NTWP170-2 V502E



Step 1: Assemble the front module with the screen body. (This step is pre-assembled at the factory.)



Step 2: Insert the screen from the front into the pre-cut opening.



Step 3: Attach the clips from the back and secure with screws. (Up to 8 clips can be installed as needed or per positional limitations.)

Nextech WP Series 17" All-in-one Industrial Touch PC

NTWP170-2 V502E

Desktop Stand (Option)

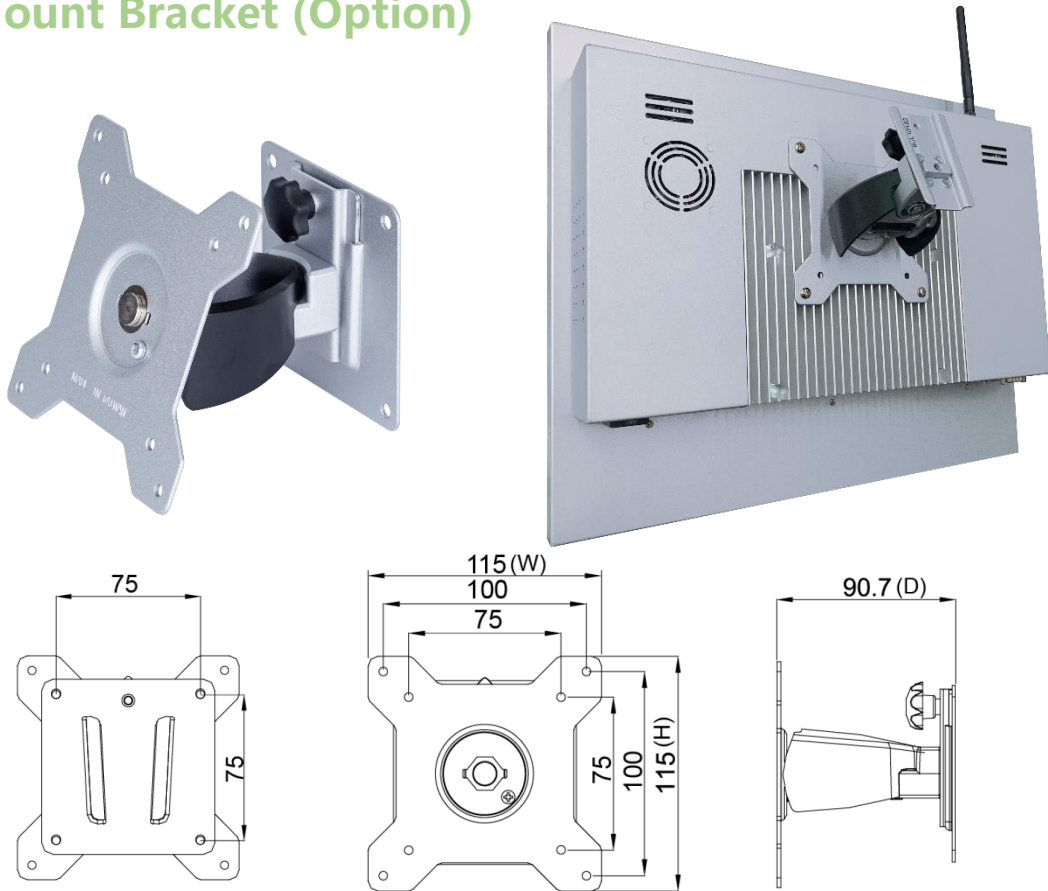
Item	B Stand	Part No.	DST-0B002/DST-1B002
Mounting Pattern	100x100 / 75x75 mm	Dimension (WxHxD)	203x275x227 mm
Material	Steel/Plastic/Aluminum	Net Weight	1.8 KG
Tilt (Hinge)	-2° ~ +180°	Support Max. Weight	15 KG



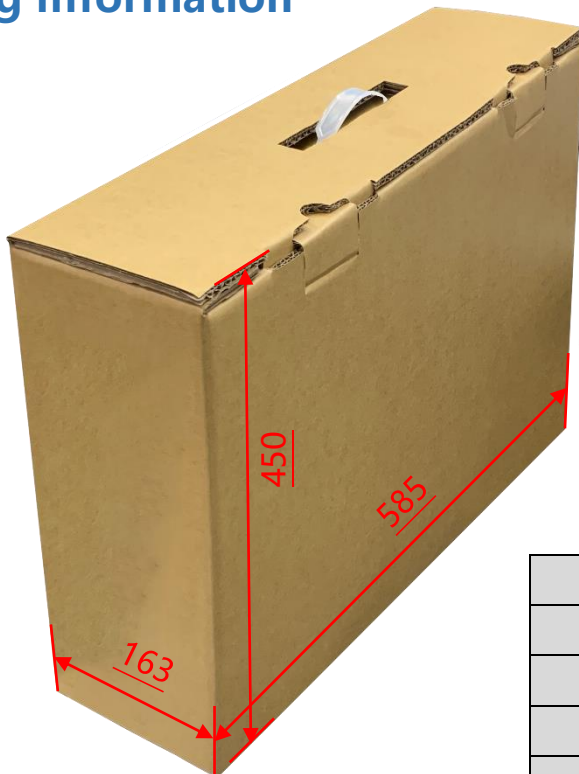
Item	Z Stand	Part No.	DST-0BZ01/DST-1BZ01
Mounting Pattern	100x100 / 75x75 mm	Dimension (WxHxD)	190x240x41.6
Material	SECC	Net Weight	2.6 KG
Tilt (Hinge)	±360°	Support Max. Weight	15 KG



Wall Mount Bracket (Option)



Packing Information



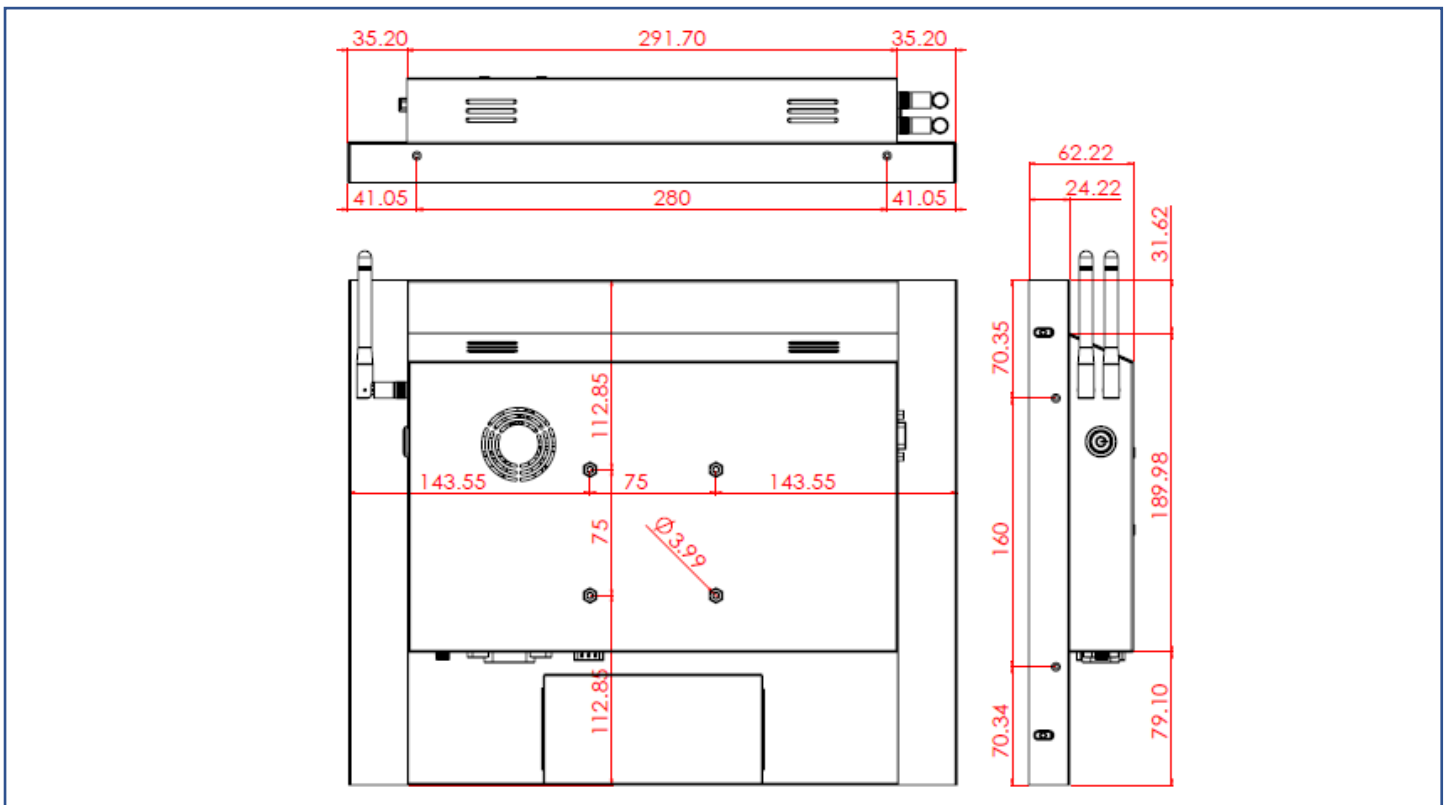
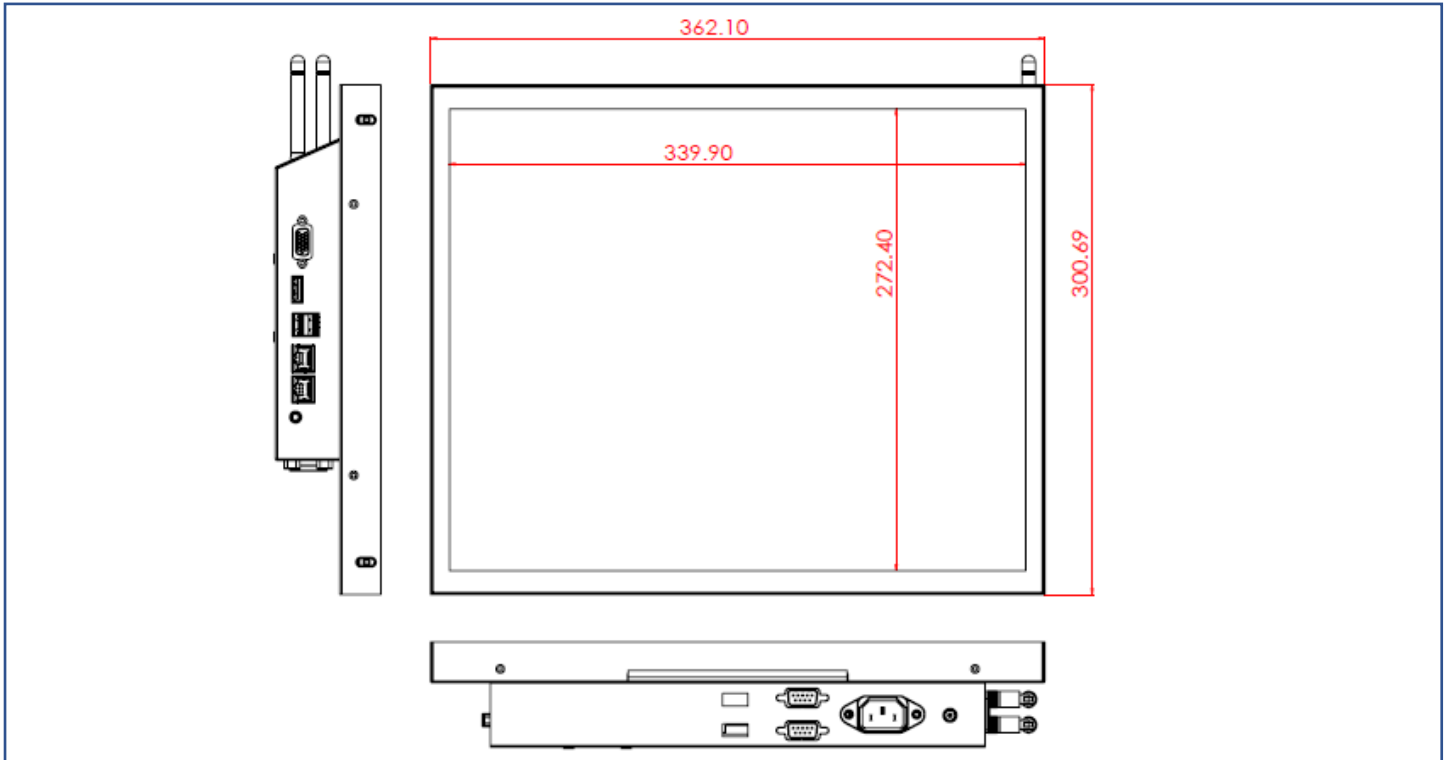
Unit Carton Size	585x163x450 mm
Unit N. Weight	≤3.7 KG
Unit G. Weight	≤5.5 KG
Units per Pallet	36 units
Pallet Size	120x100x147 CM

Nextech WP Series 17" All-in-one Industrial Touch PC

NTWP170-2 V502E

Physical Specifications

Dimension	362x301x62(±2)mm (W/O Antenna)	Net Weight	≦3.7 KG
VESA Mounting	75x75 mm	Gross Weight	≦5.5 KG



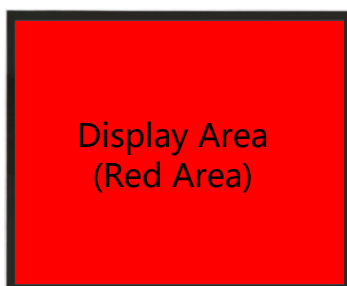
Cosmetic Inspection Standard

Display Area Allowance			
Defect description	Defective Specifications	Allowance	Remarks
Dot Defect (including dark dot, particles, bubbles, pits, dust, foreign matter)	$D \leq 0.2\text{mm}$	Ignored	D=Diameter
	$0.2 < D \leq 0.7\text{mm}$	$N \leq 5$	N=Quantity
	$0.7 < D \leq 1\text{mm}$	$N \leq 3$	
	$D > 1\text{mm}$	$N \leq 0$	
Linear Defect (including scratches, fluff, particles)	$W \leq 0.15\text{mm}$	Ignored	W=Width
	$0.15 < W \leq 0.5\text{mm}, L \leq 15\text{mm}$	$N \leq 2$	L=Length
	$W > 0.5\text{mm}$ or $L > 15\text{mm}$	NG	

* Visual inspection distance: 60cm, 90 degree (same for front/side/back)

Front Appearance Allowance (Including Coating)			
Defect description	Defective Specifications	Allowance	Remarks
Dot Defect (including particles, bubbles, pits...etc.)	$D \leq 0.7\text{mm}$	Ignored	D=Diameter
	$0.7 < D \leq 1.5\text{mm}$	$N \leq 3$	N=Quantity
	$D > 1.5\text{mm}$	$N \leq 0$	
Linear Defect (including scratches, fluff, particles)	$W \leq 0.2\text{mm}, L \leq 15\text{mm}$	Ignored	W=Width, L=Length
	$0.2 < W \leq 0.7\text{mm}, L \leq 15\text{mm}$	$N \leq 1$	
	$W > 0.7\text{mm}$ or $L > 15\text{mm}$	NG	

Side / Back Appearance Allowance (Including Coating)			
Defect description	Defective Specifications	Allowance	Remarks
Dot Defect (including particles, bubbles, pits...etc.)	$D \leq 1.5\text{mm}$	Ignored	D=Diameter
	$1.5 < D \leq 3\text{mm}$	$N \leq 8$	N=Quantity
	$D > 3\text{mm}$	$N \leq 2$	
Linear Defect (including scratches, fluff, particles)	$W \leq 0.8\text{mm}, L \leq 15\text{mm}$	Ignored	W=Width, L=Length
	$0.8 < W \leq 1.5\text{mm}, L \leq 15\text{mm}$	$N \leq 5$	
	$W > 1.5\text{mm}$ or $L > 15\text{mm}$	NG	



Display Area
(Red Area)



Front Appearance (Red Area)



Back Appearance