

# Product Specifications

<b>Customer</b>	
<b>Model Name</b>	<b>NTWP156-2 V502E</b>
<b>Model Number</b>	<b>NTWP156<u>XX2XX</u>-G<u>IXX8XX</u>-<u>XX</u>04-502E</b>

\* X = A~Z, 0~9 (Depends on Options.)



Records of Revision			
Vision	Modifying	Old Description	New Description
v2212.1	Preliminary Specification		
<b>v2212.2</b>	<b>New trademark released</b>		

# Nextech WP Series 15.6" All-in-one Industrial Touch PC

**NTWP156-2 V502E**

## Features

- ★ 15.6" Industrial Panel, 16:9/1920x1080 (FHD) Resolution
- ★ Operating Temperature Range -20~70°C
- ★ AHVA Wide Viewing Angle Technology (178°/178°)
- ★ Intel® Quad-Core N3350/N4200 CPU
- ★ DDR3 8G DRAM
- ★ Narrow Bezel, True Flat Projected Capacitive Touch Screen
- ★ 7H Hardness Tempered Cover Glass
- ★ 10 points Multi-touch, Supports NEXTECH Dedicated Stylus
- ★ Metal Cabinet with Diverse Combine Options
- ★ Made in Taiwan, 3 Years Warranty, Designed for Harsh Environments
- ★ Optional High Brightness 1500nits, for Outdoor Environment
- ★ Optional AG Coating/Antibacterial/Privacy Filter Surface Treatment



PSE



BSMI



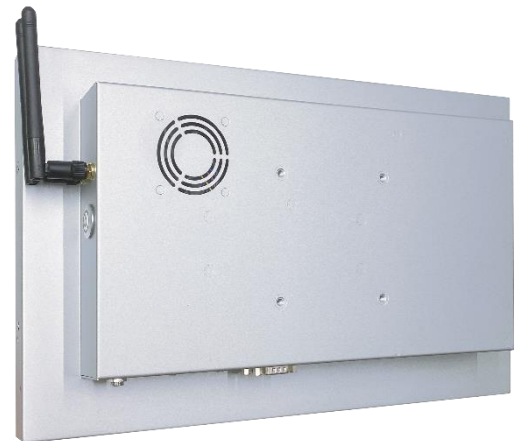
CE



ISO9001



FCC



Desktop Stand



Wall Mounting



Open-frame Bracket



Panel Mount

## System Specifications

CPU	Intel® Celeron/Pentium Processor
Memory	DDR3 SO-DIMM 8G
Storage	SATAx1, M.2 M-key (SATA 6Gb/s) x1, Full-size Mini PCIe Slot x1
GPU	Intel® HD Graphics 500
Sound Chip	Realtek® Audio CODEC
Network	Intel® i211AT Gbe LAN Chips x2

## Display Specifications

Screen Diagonal	15.6 inch	Display Mode	AHVA, Normally Black
Display Area	344.2x193.6 mm	Backlight Unit	LED (white LED)
Resolution	1920x1080 (FHD)	Viewing Angle (L/R, U/D)	178°/178° (CR=10)
Contrast Ratio	1000:1	Response Time	25 msec.
Display Ratio	16:9	Backlight Lifetime	>50,000 Hours
Support Colors	16.7M Colors	Operating Temp.	-20~70°C
Pixel Pitch	0.17925x0.17925 mm	Storage Temp.	-20~70°C

## Display Options

Brightness			
	Brightness	Environment	Model Name
Standard	500nits	General (Indoor)	NTWP156NXX2XX-GIXX8XX-XX04-502E
Option 1	1000nits	Outdoor Environment	NTWP156AX2XX-GIXX8XX-XX04-502E
Option 2	1500nits	Sunlight Readable	NTWP156FX2XX-GIXX8XX-XX04-502E

## Touch Options

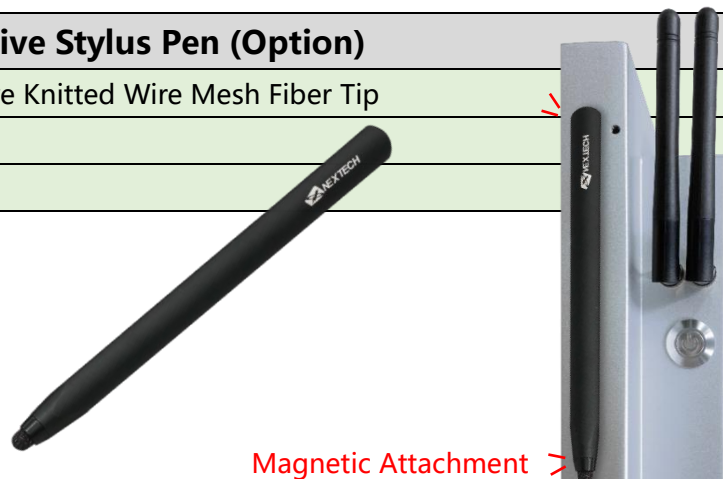
Projected Capacitive			
Model Name	NTWP156 <u>P</u> <u>2XX</u> -G <u>IXX8XX</u> - <u>XX04</u> -502E		
Touch Technology	Projected Capacitive	Thickness of Cover Lens	2.0±0.2mm
Allowed Touch Points	10 points	Hardness of Cover Lens	7H
Transparency	≥87%	IK Ratings	IK07
Accuracy	99.00%		

Resistive Touch			
Model Name	NTWP156 <u>5</u> <u>2XX</u> -G <u>IXX8XX</u> - <u>XX04</u> -502E		
Touch Technology	Resistive Touch	Transparency	80%±5%
Allowed Touch Points	1 point	Surface Treatment	Anti-glare<15%
Precision	98.50%	Hardness	≥3H

Non-Touch	
Model Name	NTWP156 <u>0</u> <u>2XX</u> -G <u>IXX8XX</u> - <u>XX04</u> -502E

Surface Treatment		
	Description	Model Name
<b>Standard</b>	<b>(none)</b>	<b>NTWP156<u>XX200</u>-G<u>IXX8XX</u>-<u>XX04</u>-502E</b>
Option 1	Anti-Glare Coating	NTWP156 <u>XX2GG</u> -G <u>IXX8XX</u> - <u>XX04</u> -502E
Option 2	Antibacterial (AB Film)	NTWP156 <u>XX2AB</u> -G <u>IXX8XX</u> - <u>XX04</u> -502E
Option 3	Anti-Spy (AS Film)	NTWP156 <u>XX2SF</u> -G <u>IXX8XX</u> - <u>XX04</u> -502E

Passive Stylus Pen (Option)	
Technology	Passive High Sensitive Knitted Wire Mesh Fiber Tip
Size of tip	6mm
Magnetic Attachment	Yes



Magnetic Attachment >

## System Options

CPU		
	Item	Model Name
<b>Standard</b>	<b>N3350</b>	<b>NTWP156XX2XX-GIC18XX-XX04-502E</b>
Option	N4200	NTWP156XX2XX-GIC28XX-XX04-502E

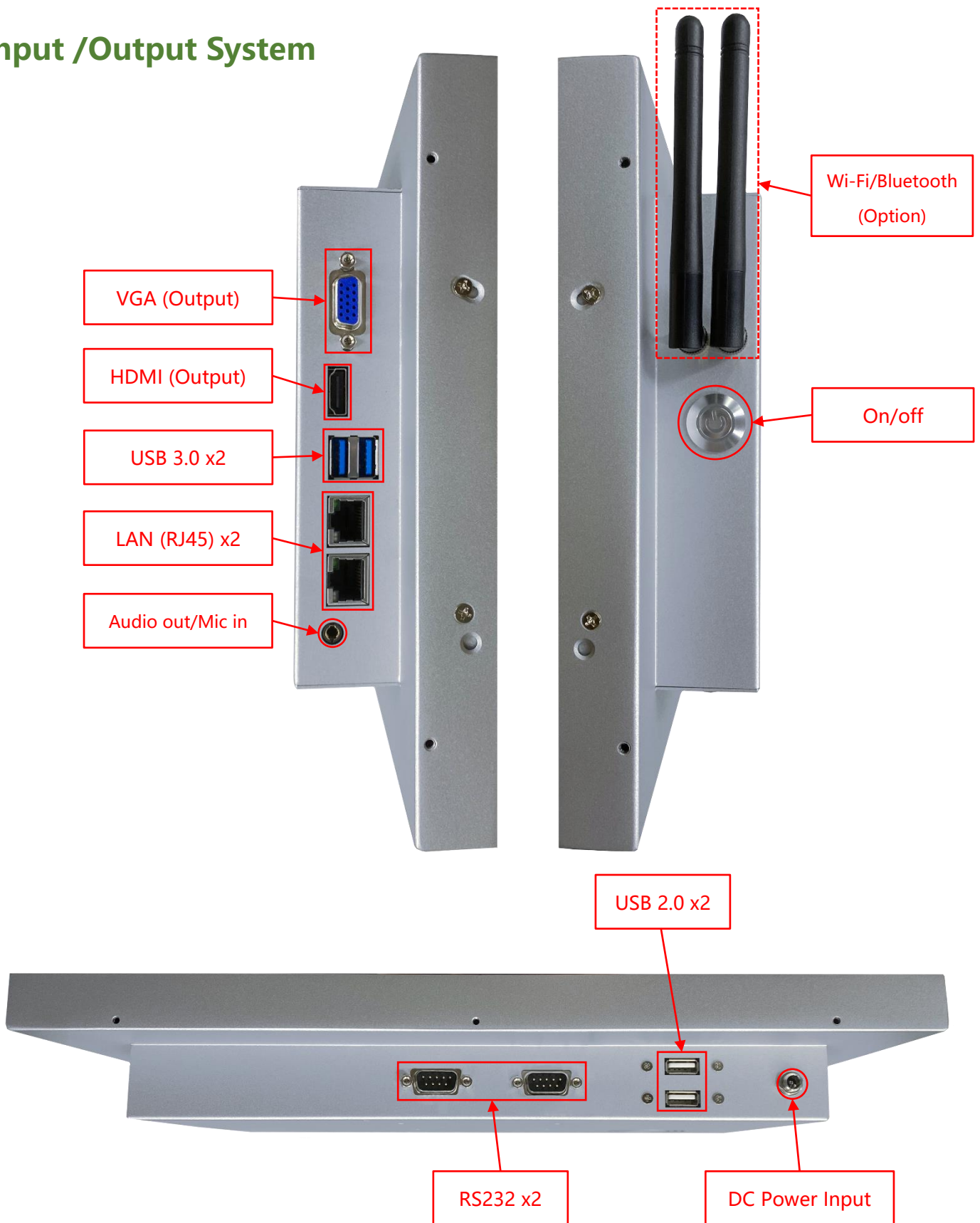
Storage		
	Item	Model Name
<b>Standard</b>	<b>SSD 128G</b>	<b>NTWP156XX2XX-GIXX8S1-XX04-502E</b>
Option 1	SSD 256G	NTWP156XX2XX-GIXX8S2-XX04-502E
Option 2	SSD 512G	NTWP156XX2XX-GIXX8S3-XX04-502E
Option 3	SSD 1TB	NTWP156XX2XX-GIXX8S4-XX04-502E

Material of Cabinet		
	Description	Model Name
<b>Standard</b>	<b>SECC</b>	<b>NTWP156XX2XX-GIXX8XX-SX04-502E</b>
Option 1	Stainless Steel	NTWP156XX2XX-GIXX8XX-LX04-502E
Option 2	Aluminum	NTWP156XX2XX-GIXX8XX-AX04-502E

Color of Cabinet		
	Description	Model Name
<b>Standard</b>	<b>Silver</b>	<b>NTWP156XX2XX-GIXX8XX-XS04-502E</b>
Option 1	White	NTWP156XX2XX-GIXX8XX-XW04-502E
Option 2	Black	NTWP156XX2XX-GIXX8XX-XB04-502E
Options	Other Colors	NTWP156XX2XX-GIXX8XX-XX04-502E

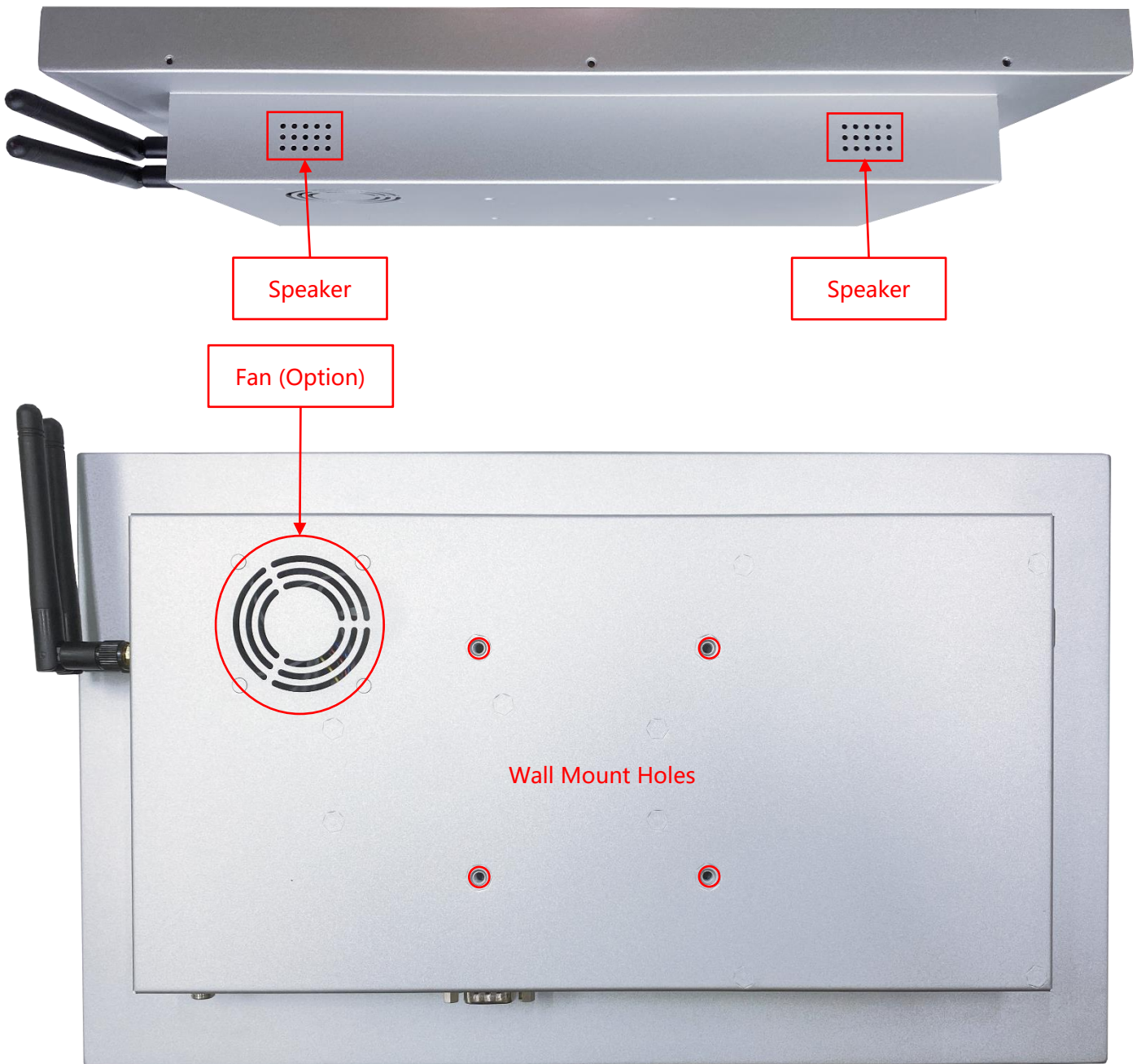
\* X = A~Z, 0~9 (Depends on Color)

## Input /Output System



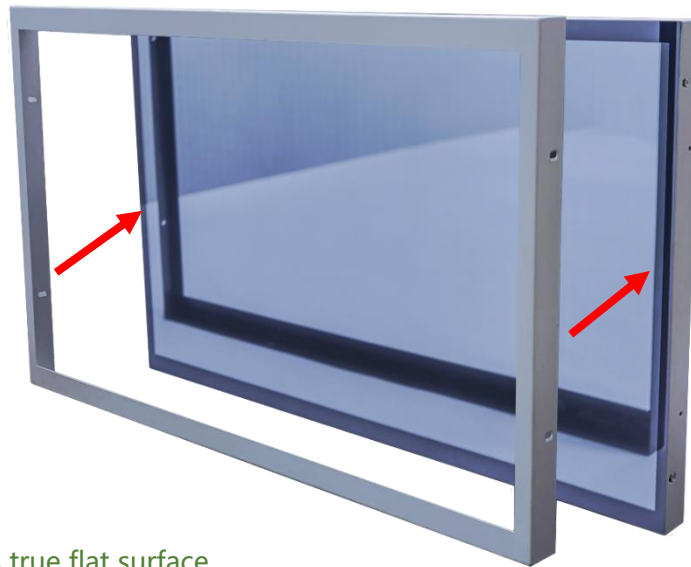
# Nextech WP Series 15.6" All-in-one Industrial Touch PC

**NTWP156-2 V502E**



Input / Output	Connectors	Input / Output	Connectors
HDMI (Output)	1	USB 3.0	2
VGA (Output)	1	USB 2.0	2
Audio Output /Mic Input (3.5mm)	1	RS232	2
DC Power Input	1	LAN (RJ45)	2
Speakers	1W x2	Wi-Fi/Bluetooth & Antenna	Option

## Front Cover (Option)



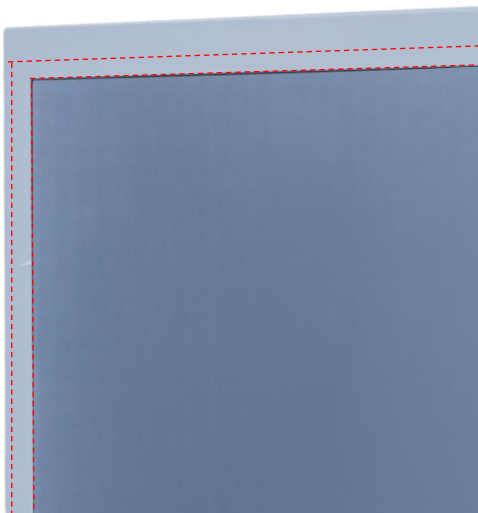
The standard **NTWP156** is true flat surface.

To protect the corners of the touch screen, the Front Cover can be added.



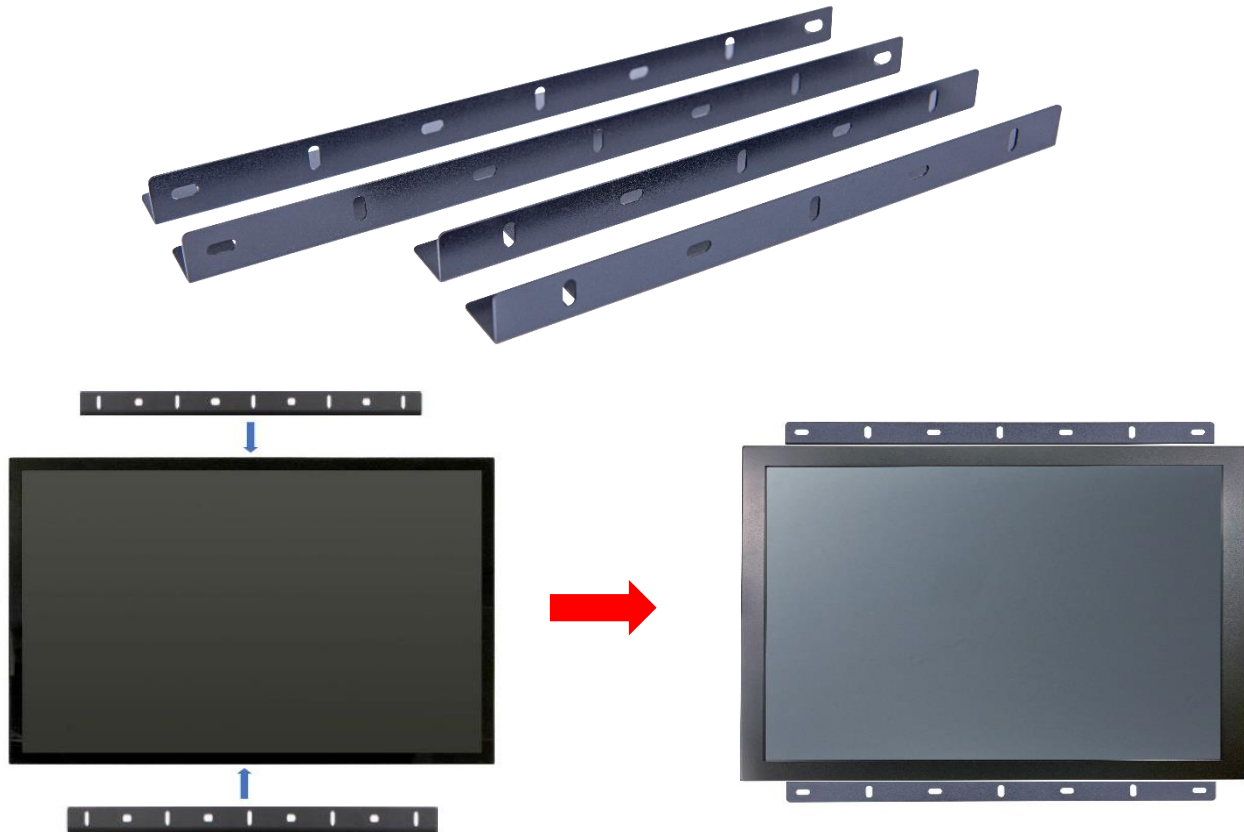
The watertight gasket can be added between the Front Cover and **NTWP156**.

It complies **IP65** on front.

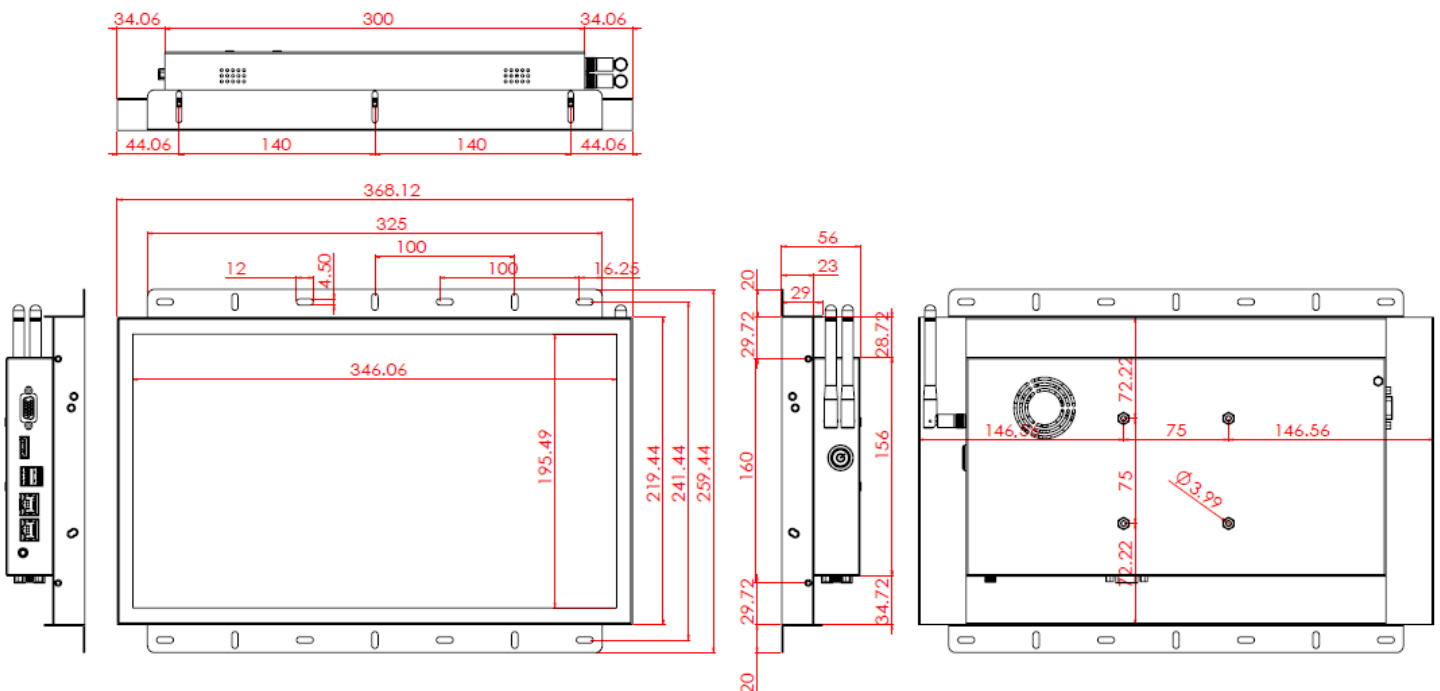




Open-frame Brackets (Option)



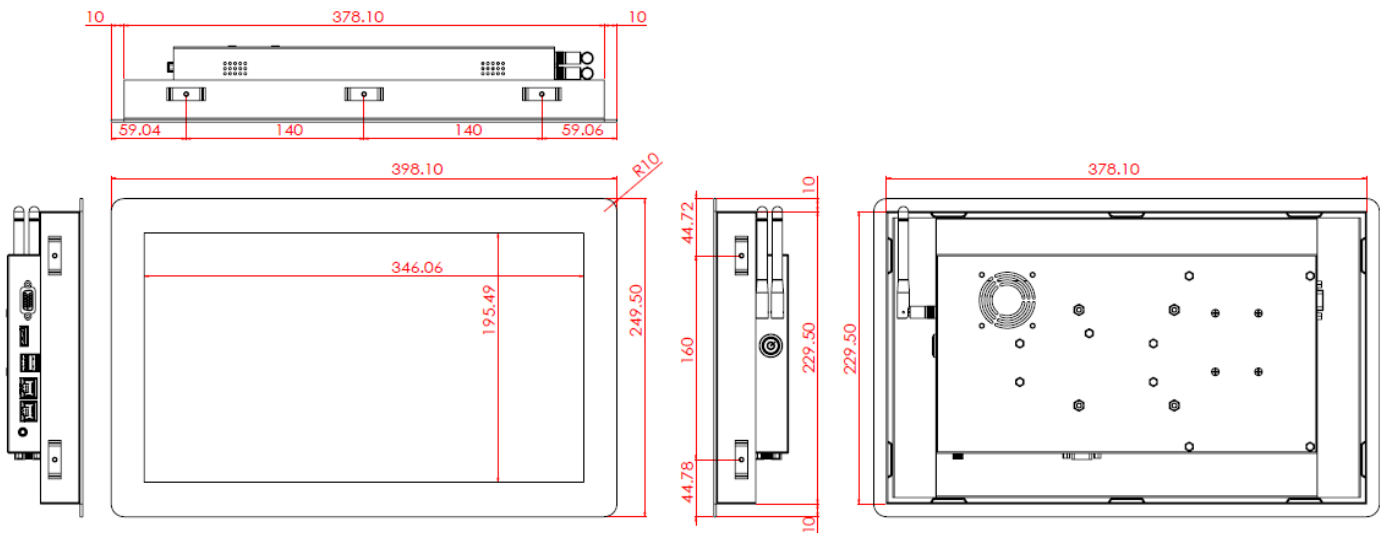
Dimension for Installing with Open-frame Brackets



Panel Mount Kits (Option)

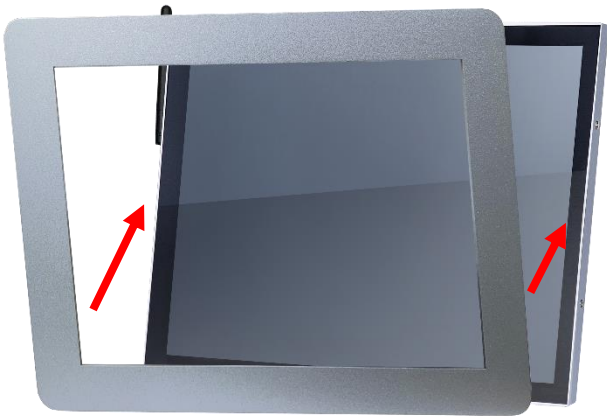


Dimension for Installing with Panel Mount Kit

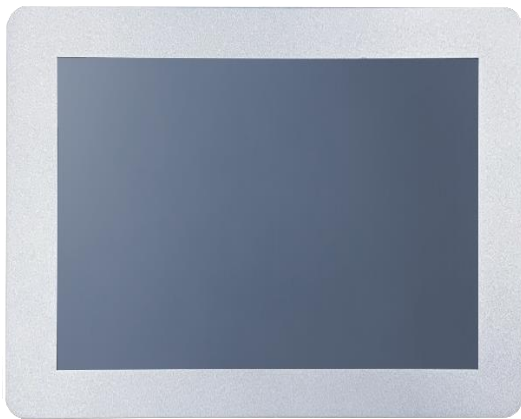
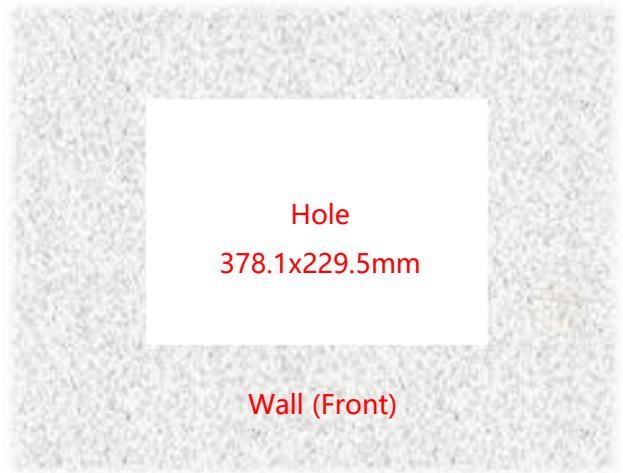


# Nextech WP Series 15.6" All-in-one Industrial Touch PC

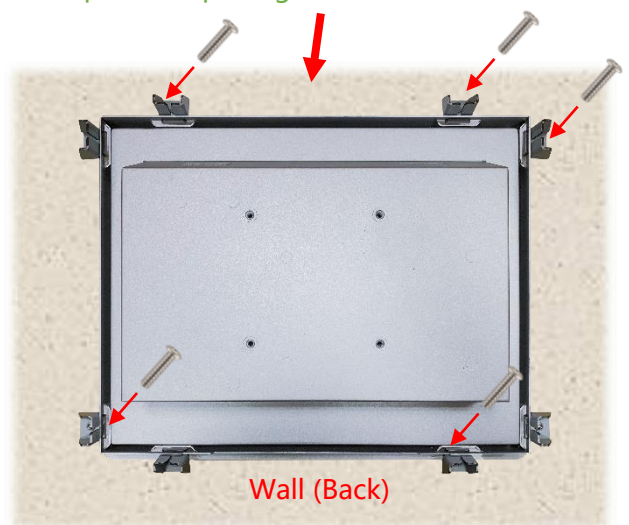
**NTWP156-2 V502E**



Step 1: Assemble the front module with the screen body. (This step is pre-assembled at the factory.)



Step 2: Insert the screen from the front into the pre-cut opening.



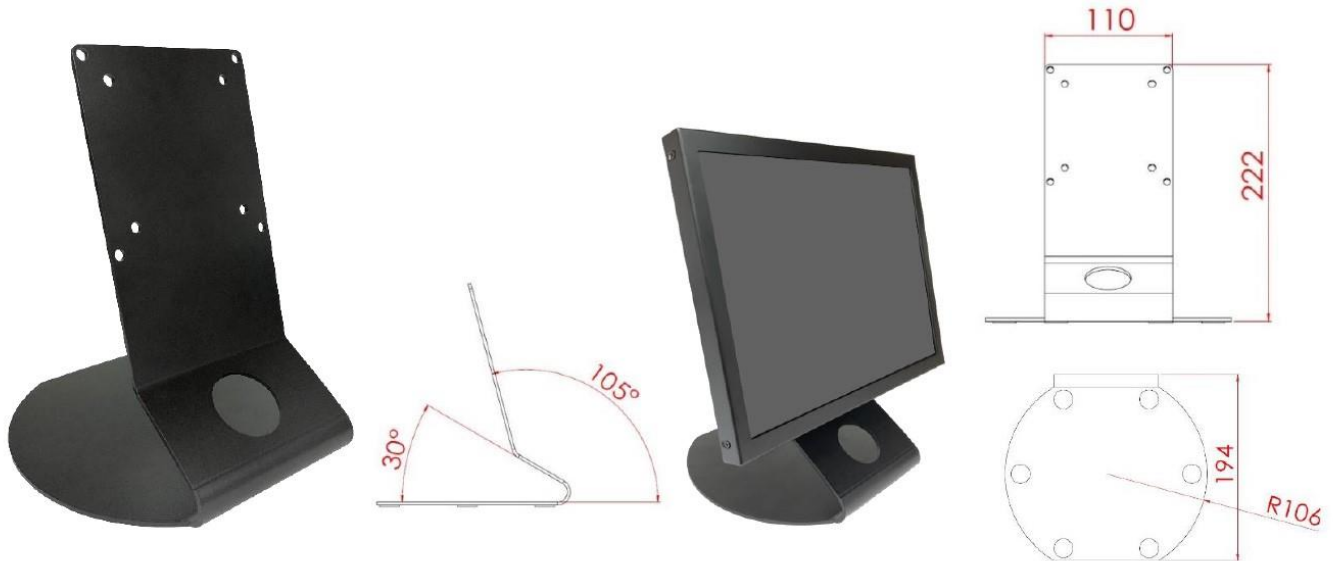
Step 3: Attach the clips from the back and secure with screws. (Up to 10 clips can be installed as needed or per positional limitations.)

# Nextech WP Series 15.6" All-in-one Industrial Touch PC

**NTWP156-2 V502E**

## Desktop Stand (Option)

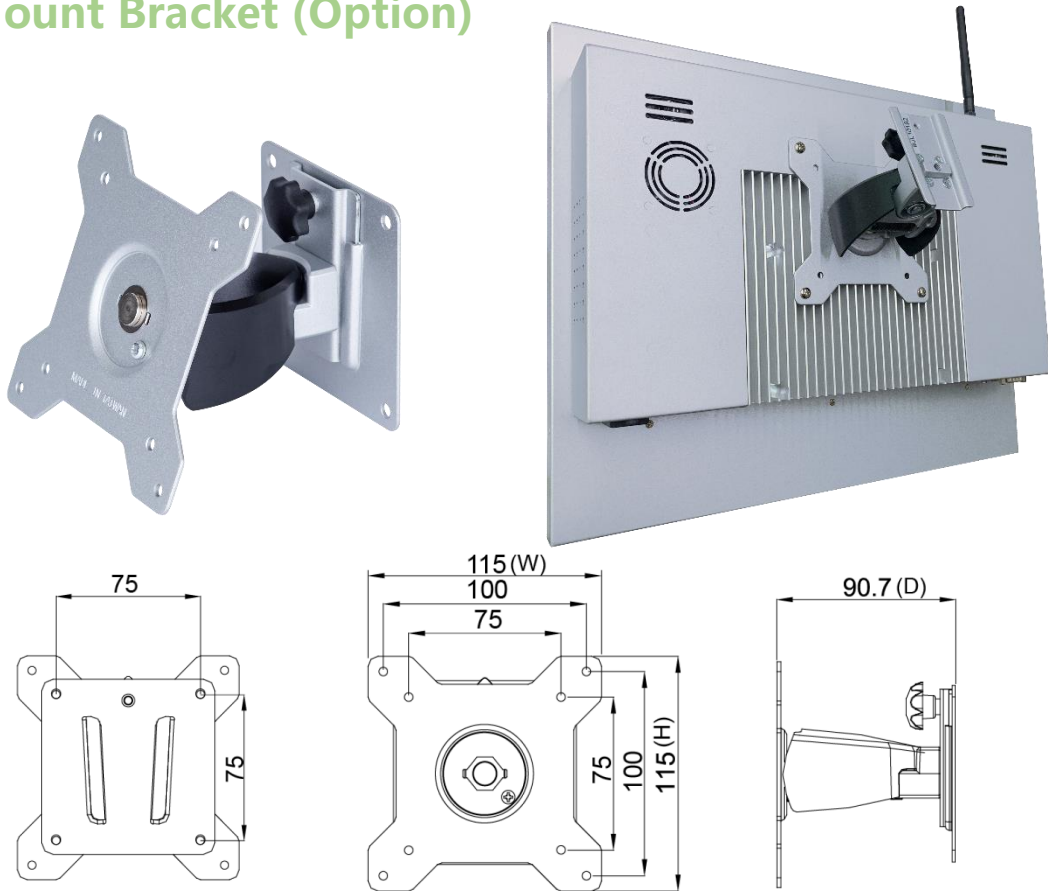
Item	L Stand	Part No.	DST-0B004/DST-1B004
Mounting Pattern	100x100 / 75x75 mm	Dimension (WxHxD)	194x194x222 mm
Material	SECC	Net Weight	1.4 KG
Tilt (Hinge)	105°	Support Max. Weight	15 KG



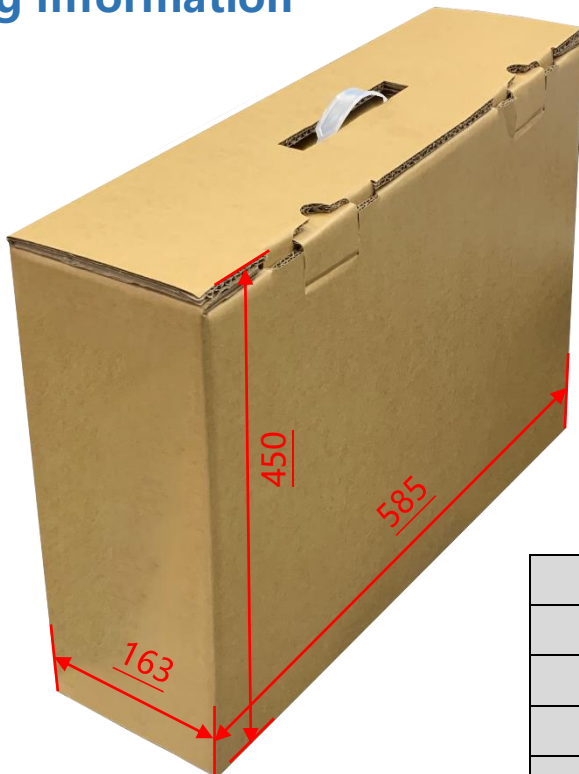
Item	B Stand	Part No.	DST-0B002/DST-1B002
Mounting Pattern	100x100 / 75x75 mm	Dimension (WxHxD)	203x275x227 mm
Material	Steel/Plastic/Aluminum	Net Weight	1.8 KG
Tilt (Hinge)	-2° ~ +180°	Support Max. Weight	15 KG



**Wall Mount Bracket (Option)**



**Packing Information**



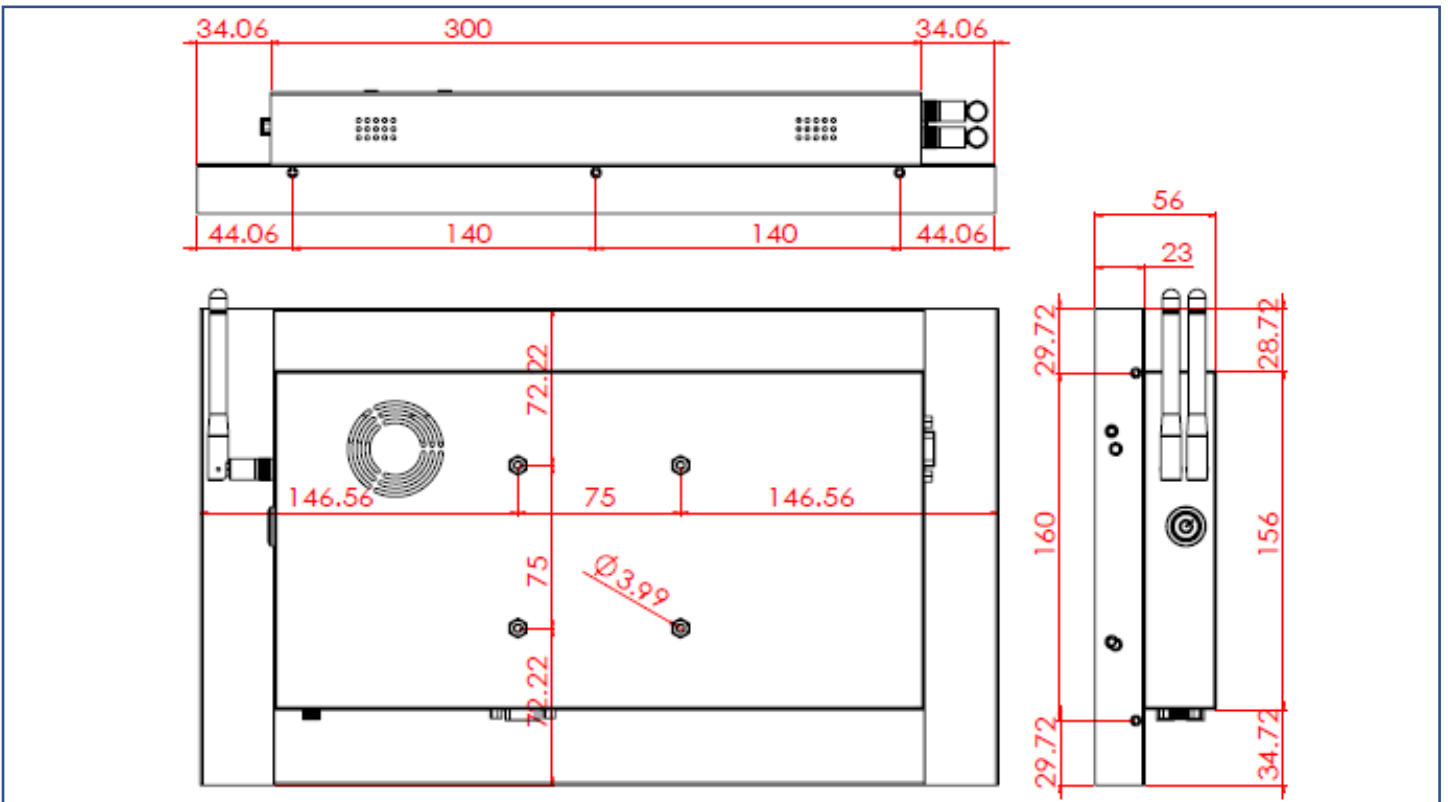
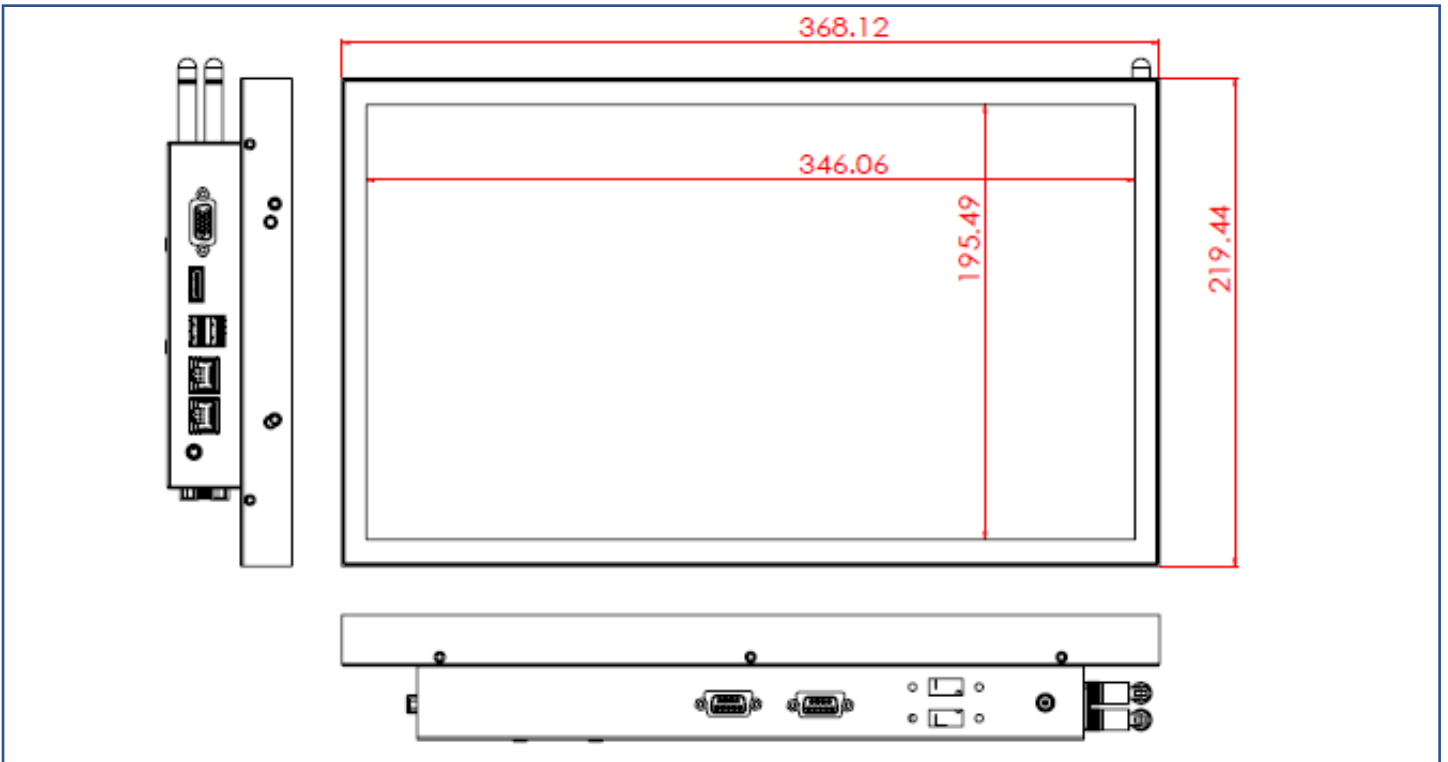
Unit Carton Size	<b>585x163x450 mm</b>
Unit N. Weight	<b>≤3.2 KG</b>
Unit G. Weight	<b>≤5.0 KG</b>
Units per Pallet	<b>36 units</b>
Pallet Size	<b>120x100x147 CM</b>

# Nextech WP Series 15.6" All-in-one Industrial Touch PC

**NTWP156-2 V502E**

## Physical Specifications

Dimension	<b>368x219.5x56(±2)mm (W/O Antenna)</b>	Net Weight	<b>3.2 KG</b>
VESA Mounting	<b>75x75 mm</b>	Gross Weight	<b>5.0 KG</b>



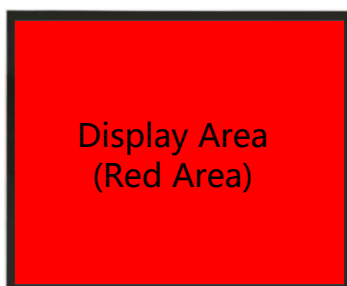
## Cosmetic Inspection Standard

Display Area Allowance			
Defect description	Defective Specifications	Allowance	Remarks
Dot Defect (including dark dot, particles, bubbles, pits, dust, foreign matter)	$D \leq 0.2\text{mm}$	Ignored	D=Diameter
	$0.2 < D \leq 0.7\text{mm}$	$N \leq 5$	N=Quantity
	$0.7 < D \leq 1\text{mm}$	$N \leq 3$	
	$D > 1\text{mm}$	$N \leq 0$	
Linear Defect (including scratches, fluff, particles)	$W \leq 0.15\text{mm}$	Ignored	W=Width
	$0.15 < W \leq 0.5\text{mm}, L \leq 15\text{mm}$	$N \leq 2$	L=Length
	$W > 0.5\text{mm}$ or $L > 15\text{mm}$	NG	

\* Visual inspection distance: 60cm, 90 degree (same for front/side/back)

Front Appearance Allowance (Including Coating)			
Defect description	Defective Specifications	Allowance	Remarks
Dot Defect (including particles, bubbles, pits...etc.)	$D \leq 0.7\text{mm}$	Ignored	D=Diameter
	$0.7 < D \leq 1.5\text{mm}$	$N \leq 3$	N=Quantity
	$D > 1.5\text{mm}$	$N \leq 0$	
Linear Defect (including scratches, fluff, particles)	$W \leq 0.2\text{mm}, L \leq 15\text{mm}$	Ignored	W=Width, L=Length
	$0.2 < W \leq 0.7\text{mm}, L \leq 15\text{mm}$	$N \leq 1$	
	$W > 0.7\text{mm}$ or $L > 15\text{mm}$	NG	

Side / Back Appearance Allowance (Including Coating)			
Defect description	Defective Specifications	Allowance	Remarks
Dot Defect (including particles, bubbles, pits...etc.)	$D \leq 1.5\text{mm}$	Ignored	D=Diameter
	$1.5 < D \leq 3\text{mm}$	$N \leq 8$	N=Quantity
	$D > 3\text{mm}$	$N \leq 2$	
Linear Defect (including scratches, fluff, particles)	$W \leq 0.8\text{mm}, L \leq 15\text{mm}$	Ignored	W=Width, L=Length
	$0.8 < W \leq 1.5\text{mm}, L \leq 15\text{mm}$	$N \leq 5$	
	$W > 1.5\text{mm}$ or $L > 15\text{mm}$	NG	



Display Area  
(Red Area)



Front Appearance (Red Area)



Back Appearance