

Product Specifications

Customer	
Model Name	NTWP133 V502E
Model Number	NTWP133<u>XXSXX</u>-G<u>lXX8XX</u>-<u>XX</u>04-502E

* X = A~Z, 0~9 (Depends on Options.)



Records of Revision			
Vision	Modifying	Old Description	New Description
v2208.1	Preliminary Specification		
v2208.2	Add Stylus Pen Option		
v2208.3	New trademark released		

Nextech WP Series 13.3" All-in-one Industrial Touch PC

NTWP133 V502E

Features

- ★ 13.3 inch Industrial Grade Panel, 1920x1080 (FHD) Resolution
- ★ AHVA Wide Viewing Angle Technology , 178°/178°
- ★ Operating Temperature Range -20~70°C
- ★ Intel® Quad-Core N3350/N4200 CPU
- ★ DDR3 8G DRAM
- ★ Narrow Bezel, True Flat Projected Capacitive Touch Screen
- ★ 7H Hardness Tempered Cover Glass
- ★ 10 points Multi-touch, Supports NEXTECH Dedicated Stylus
- ★ Metal Cabinet with Diverse Combine Options
- ★ Made in Taiwan, 3 Years Warranty, Designed for Harsh Environments
- ★ Optional High Brightness 1500nits, for Outdoor Environment
- ★ Optional AG Coating/Antibacterial/Privacy Filter Surface Treatment



Desktop Stand



Wall Mounting



Open-frame Bracket



Panel Mount

System Specifications

CPU	Intel® Celeron/Pentium Processor
Memory	DDR3 SO-DIMM 8G
Storage	SATAx1, M.2 M-key (SATA 6Gb/s) x1, Full-size Mini PCIe Slot x1
GPU	Intel® HD Graphics 500
Sound Chip	Realtek® Audio CODEC
Network	Intel® i211AT Gbe LAN Chips x2

Display Specifications

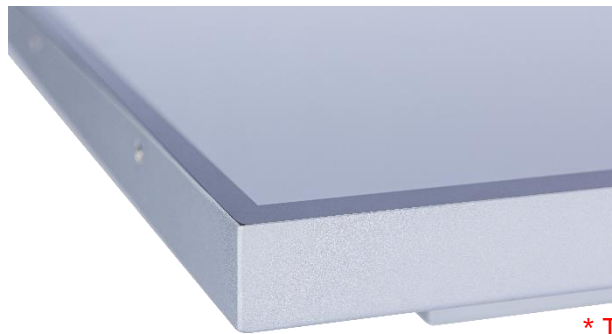
Screen Diagonal	13.3 inch	Display Mode	AHVA Mode
Display Area	293.47x165.07 mm	Backlight Unit	LED (white LED)
Resolution	1920x1080 (FHD)	Viewing Angle (L/R, U/D)	178°/178° (CR=10)
Contrast Ratio	800:1	Response Time	25 msec.
Display Ratio	16:9	Backlight Lifetime	>50,000 Hours
Support Colors	16.7M Colors	Operating Temp.	-20~70°C
Pixel Pitch	0.15285x0.15285 mm	Storage Temp.	-20~70°C

Display Options

Brightness			
	Brightness	Environment	Model Name
Standard	400nits	General (Indoor)	NTWP133NXSXX-GIXX8XX-XX04-502E
Option 1	1000nits	Outdoor Environment	NTWP133AXSXX-GIXX8XX-XX04-502E
Option 2	1500nits	Sunlight Readable	NTWP133FXSXX-GIXX8XX-XX04-502E

Touch Options

Projected Capacitive			
Model Name	NTWP133 <u>P</u> <u>S</u> <u>X</u> <u>X</u> -G <u>I</u> <u>X</u> <u>X</u> <u>8</u> <u>X</u> <u>X</u> - <u>X</u> <u>X</u> <u>0</u> <u>4</u> -502E		
Touch Technology	Projected Capacitive	Thickness of Cover Lens	2.0±0.2mm
Allowed Touch Points	10 points	Hardness of Cover Lens	7H
Transparency	≥87%	IK Ratings	IK07
Accuracy	99.00%		



* True Flat, 1mm Bezel

Non-Touch	
Model Name	NTWP133 <u>0</u> <u>S</u> <u>X</u> <u>X</u> -G <u>I</u> <u>X</u> <u>X</u> <u>8</u> <u>X</u> <u>X</u> - <u>X</u> <u>X</u> <u>0</u> <u>4</u> -502E

Surface Treatment		
	Description	Model Name
Standard	(none)	NTWP133<u>X</u><u>X</u><u>S</u><u>0</u><u>0</u>-G<u>I</u><u>X</u><u>X</u><u>8</u><u>X</u><u>X</u>-<u>X</u><u>X</u><u>0</u><u>4</u>-502E
Option 1	Anti-Glare Coating	NTWP133 <u>X</u> <u>X</u> <u>S</u> <u>G</u> <u>G</u> -G <u>I</u> <u>X</u> <u>X</u> <u>8</u> <u>X</u> <u>X</u> - <u>X</u> <u>X</u> <u>0</u> <u>4</u> -502E
Option 2	Antibacterial (AB Film)	NTWP133 <u>X</u> <u>X</u> <u>S</u> <u>A</u> <u>B</u> -G <u>I</u> <u>X</u> <u>X</u> <u>8</u> <u>X</u> <u>X</u> - <u>X</u> <u>X</u> <u>0</u> <u>4</u> -502E
Option 3	Anti-Spy (AS Film)	NTWP133 <u>X</u> <u>X</u> <u>S</u> <u>S</u> <u>F</u> -G <u>I</u> <u>X</u> <u>X</u> <u>8</u> <u>X</u> <u>X</u> - <u>X</u> <u>X</u> <u>0</u> <u>4</u> -502E

System Options

CPU		
	Item	Model Name
Standard	N3350	NTWP133XXSXX-GIC18XX-XX04-502E
Option	N4200	NTWP133XXSXX-GIC28XX-XX04-502E

Storage		
	Item	Model Name
Standard	SSD 128G	NTWP133XXSXX-GIXX8S1-XX04-502E
Option 1	SSD 256G	NTWP133XXSXX-GIXX8S2-XX04-502E
Option 2	SSD 512G	NTWP133XXSXX-GIXX8S3-XX04-502E
Option 3	SSD 1T	NTWP133XXSXX-GIXX8S4-XX04-502E

Material of Cabinet		
	Description	Model Name
Standard	SECC	NTWP133XXSXX-GIXX8XX-SX04-502E
Option 1	Stainless Steel	NTWP133XXSXX-GIXX8XX-LX04-502E
Option 2	Aluminum	NTWP133XXSXX-GIXX8XX-AX04-502E

Color of Cabinet		
	Description	Model Name
Standard	Silver	NTWP133XXSXX-GIXX8XX-XS04-502E
Option 1	White	NTWP133XXSXX-GIXX8XX-XW04-502E
Option 2	Black	NTWP133XXSXX-GIXX8XX-XB04-502E
Options	Other Colors	NTWP133XXSXX-GIXX8XX-XX04-502E

* X = A~Z, 0~9 (Depends on Color)

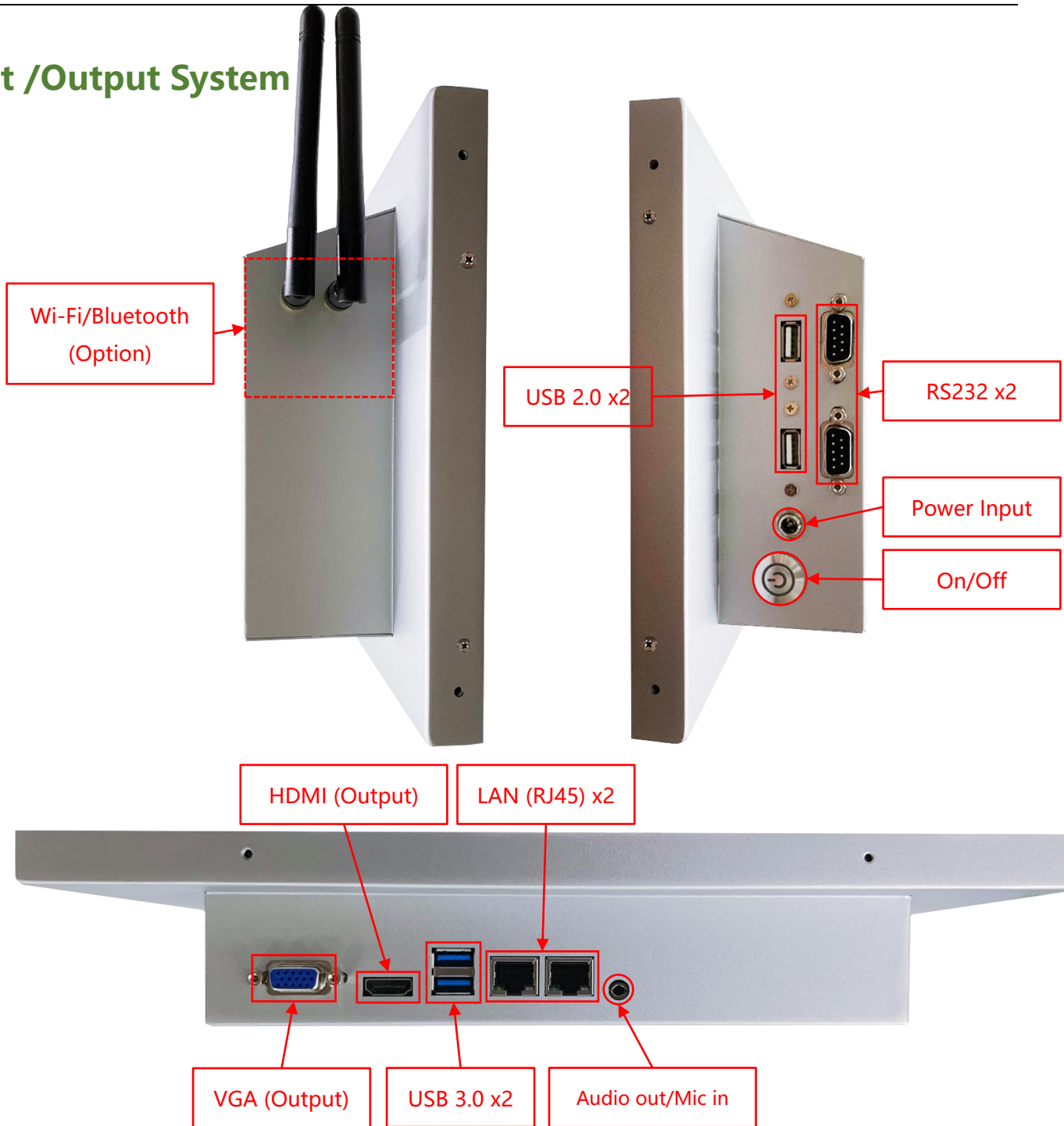
Other Options

Wireless Network (Option)	
Spec	Wi-Fi a/b/g/n/ac, Dual Mode Bluetooth 2.1/2.1+EDR,3.0,3.0+HS,4.0 (BLE) (Wi-Fi+BT4.0)

Passive Stylus Pen (Option)	
Technology	Passive High Sensitive Knitted Wire Mesh Fiber Tip
Size of tip	6mm
Magnetic Attachment	Yes



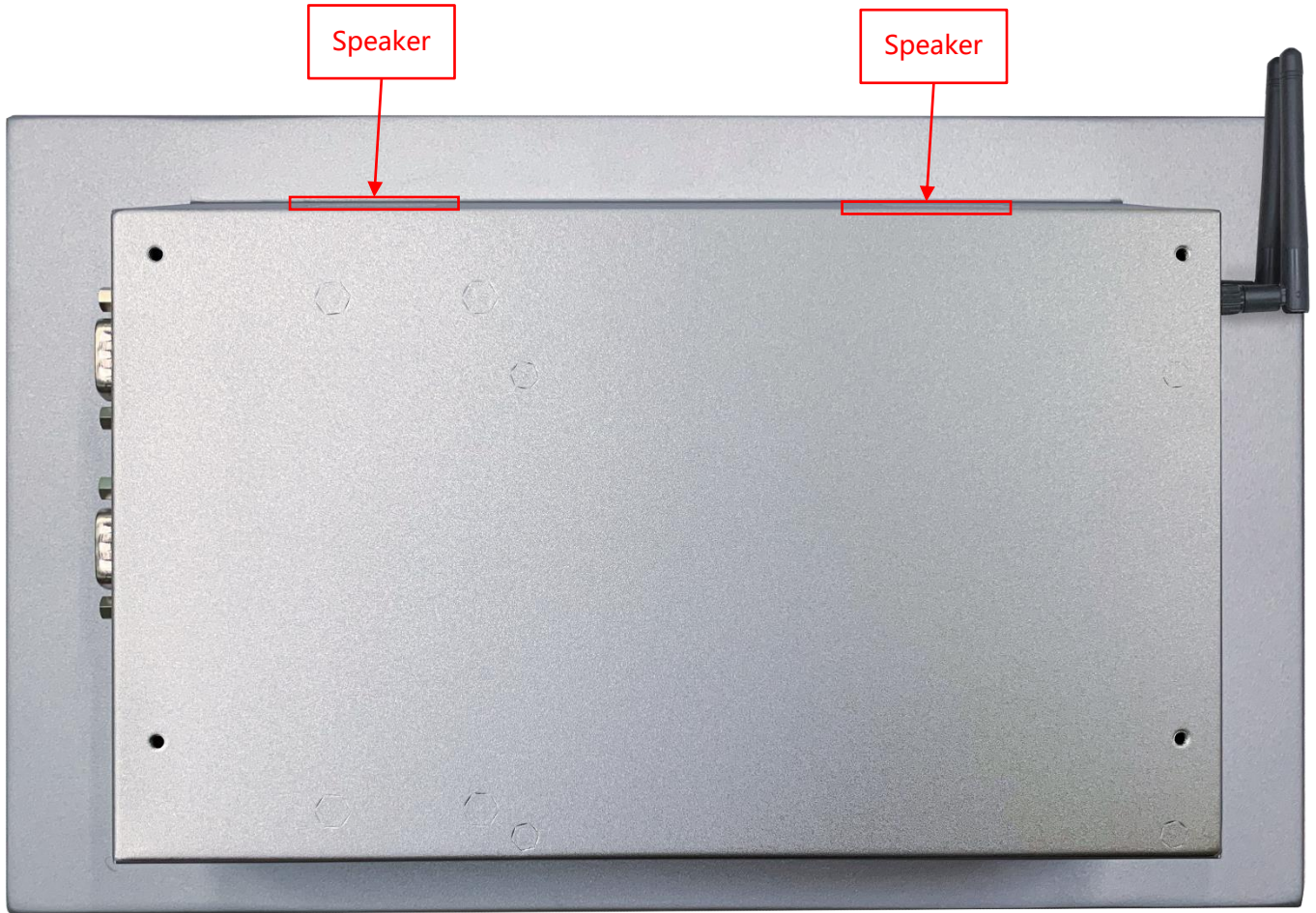
Input /Output System



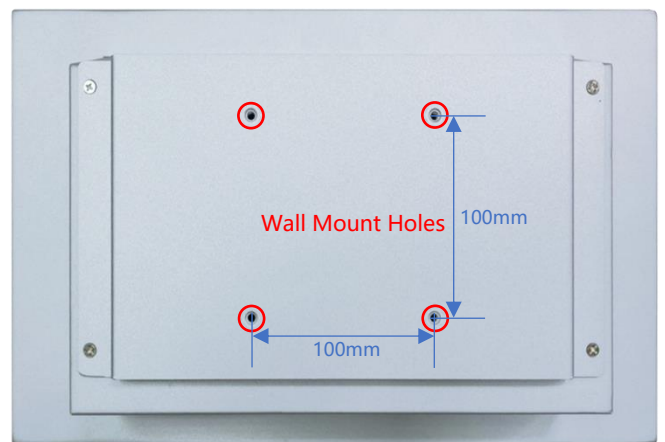
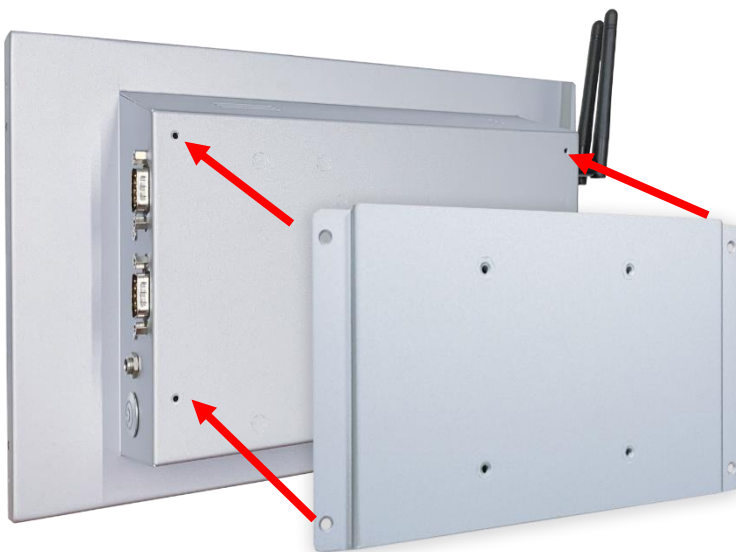
Input / Output	Connectors	Input / Output	Connectors
HDMI (Output)	1	USB 3.0	2
VGA (Output)	1	USB 2.0	2
Audio Output /Mic Input (3.5mm)	1	RS232	2
DC Power Input	1	LAN (RJ45)	2
Speakers	2W x2	Wi-Fi/Bluetooth & Antenna	Option

Nextech WP Series 13.3" All-in-one Industrial Touch PC

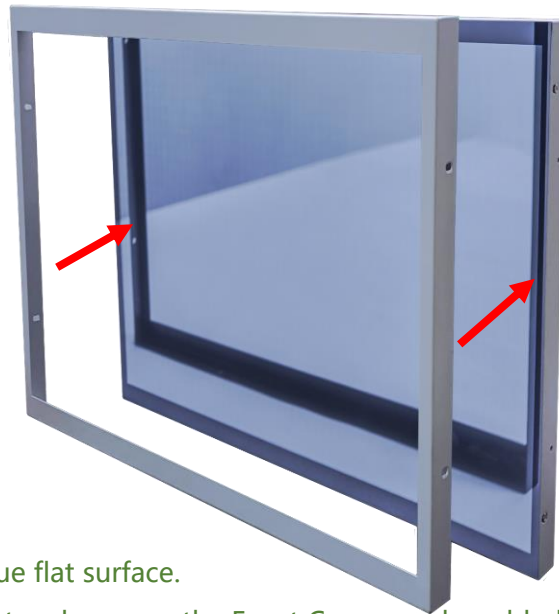
NTWP133 V502E



Mounting Plate (Option)



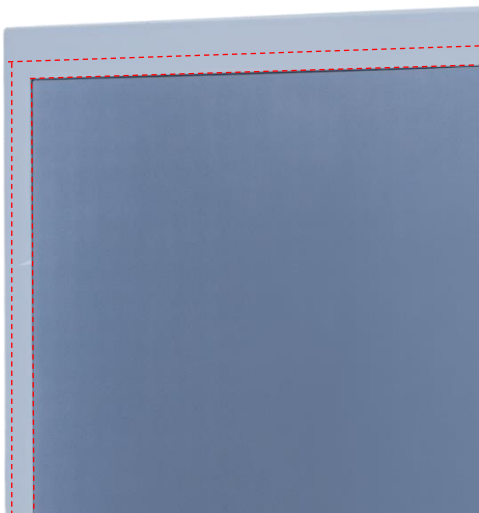
Front Cover (Option)



The standard **NTWP133** is true flat surface.
To protect the corners of the touch screen, the Front Cover can be added.



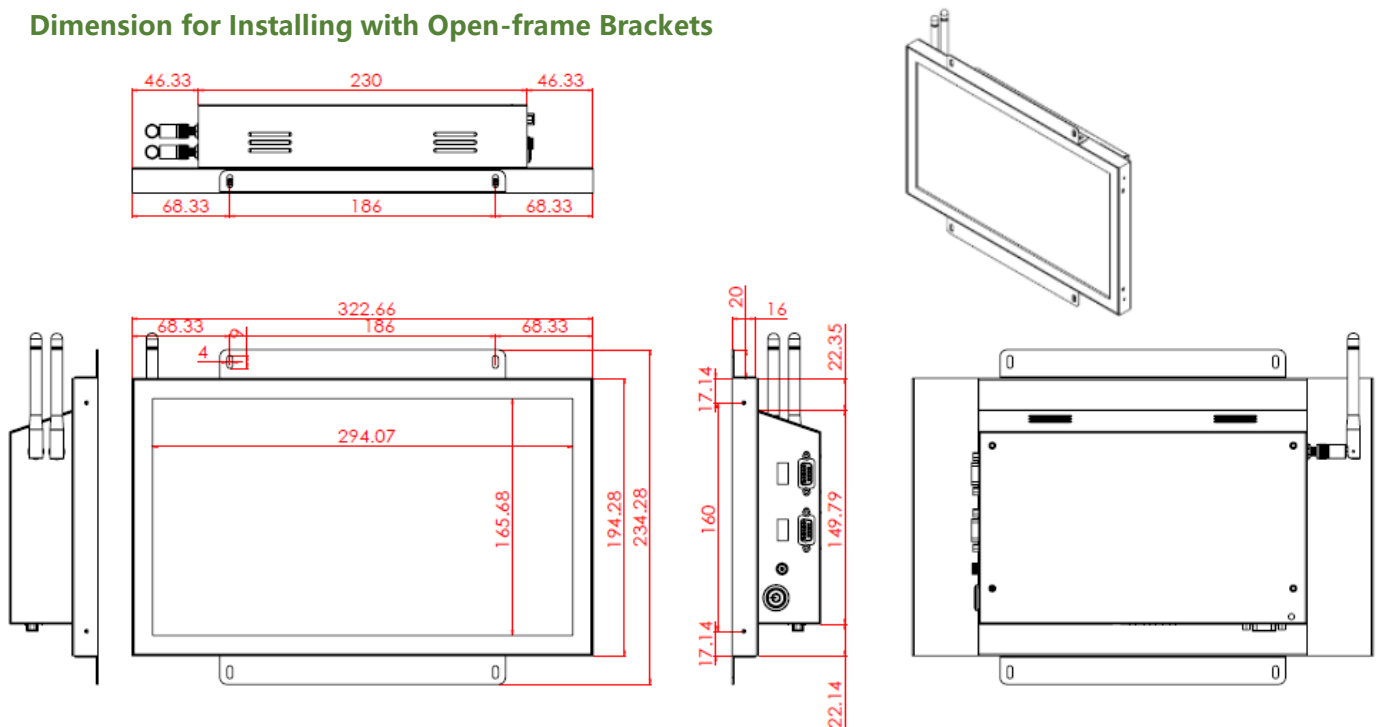
The watertight gasket can be added between the Front Cover and **NTWP133**.
It complies **IP65** on front.



Open-frame Brackets (Option)



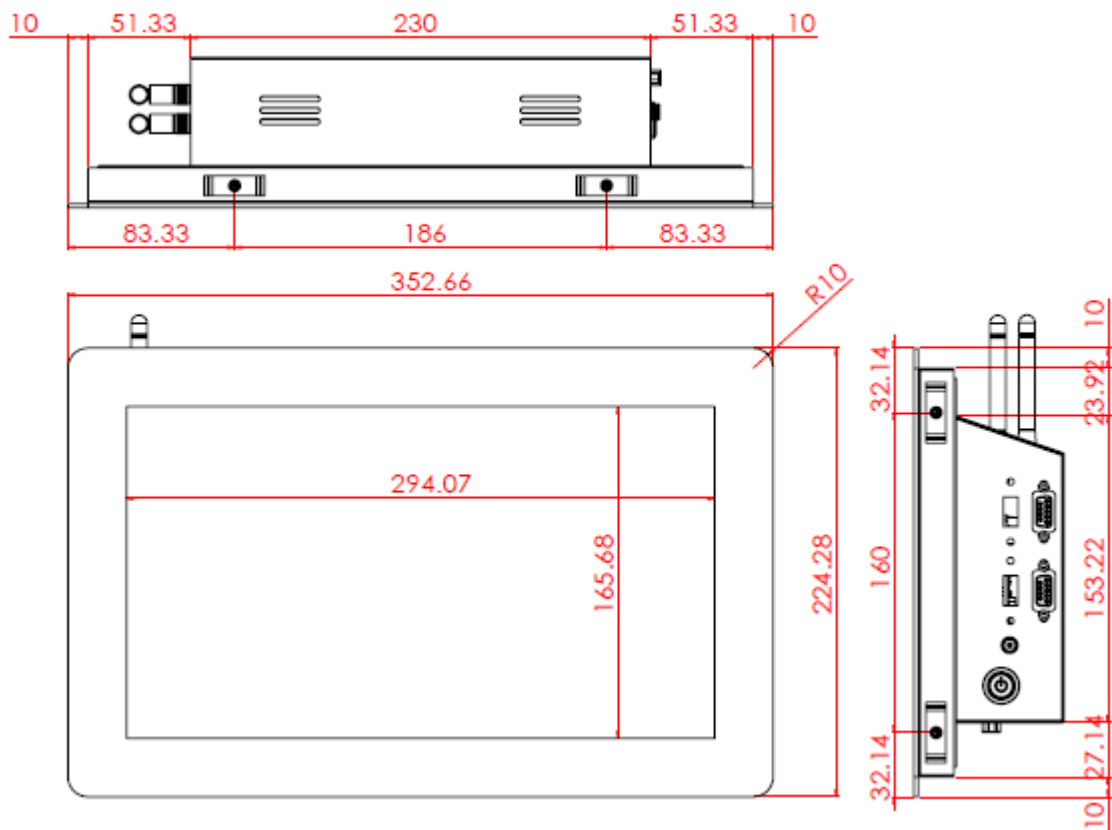
Dimension for Installing with Open-frame Brackets

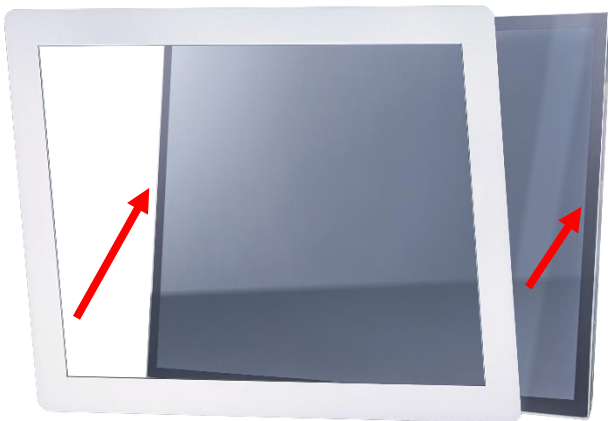


Panel Mount Kits (Option)

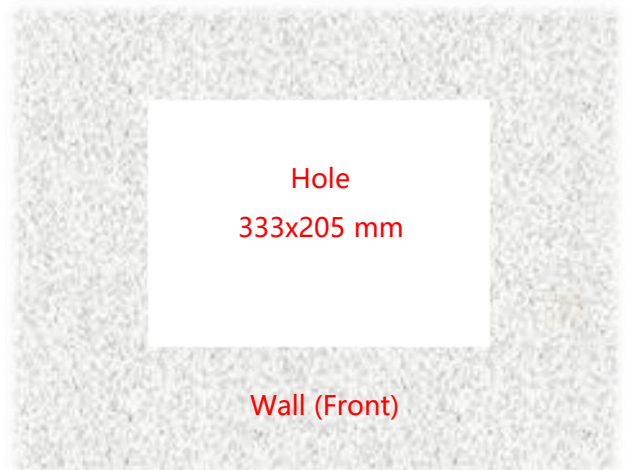


Dimension for Installing with Panel Mount Kits

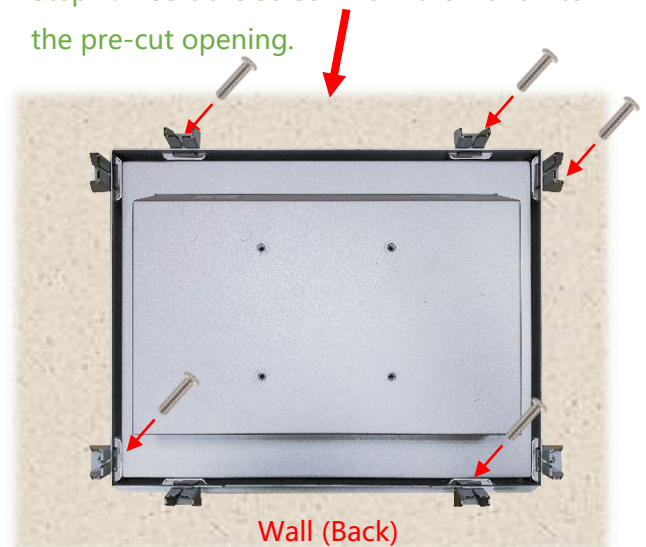




Step 1: Assemble the front module with the screen body. (This step is pre-assembled at the factory.)



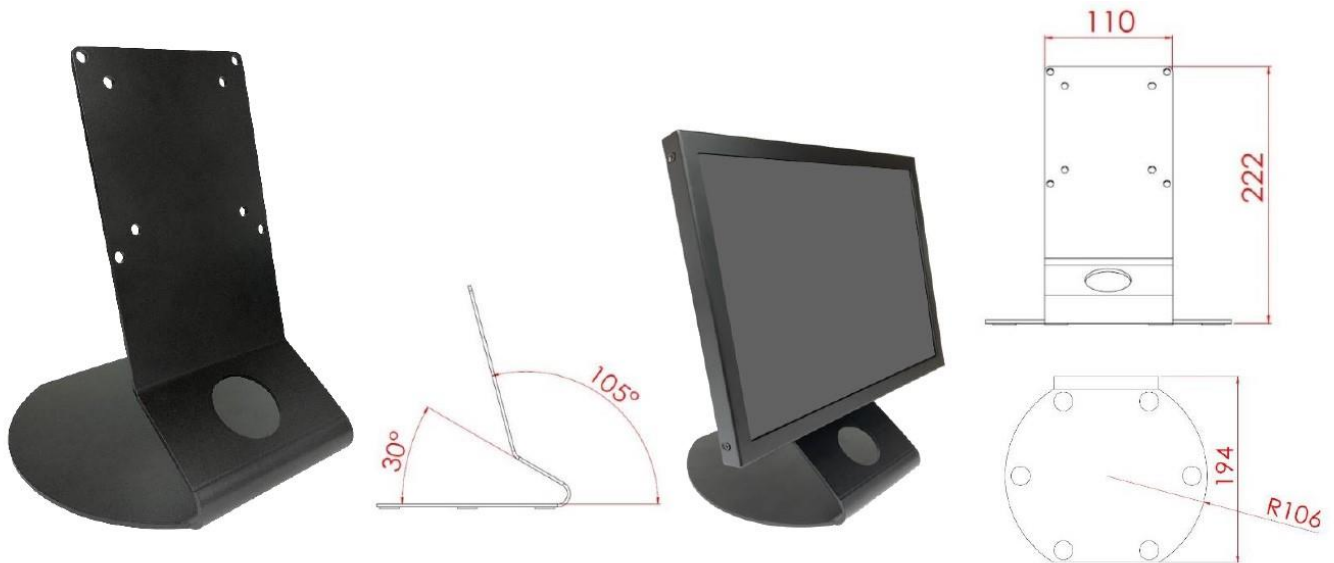
Step 2: Insert the screen from the front into the pre-cut opening.



Step 3: Attach the clips from the back and secure with screws. (Up to 10 clips can be installed as needed or per positional limitations.)

Desktop Stand (Option)

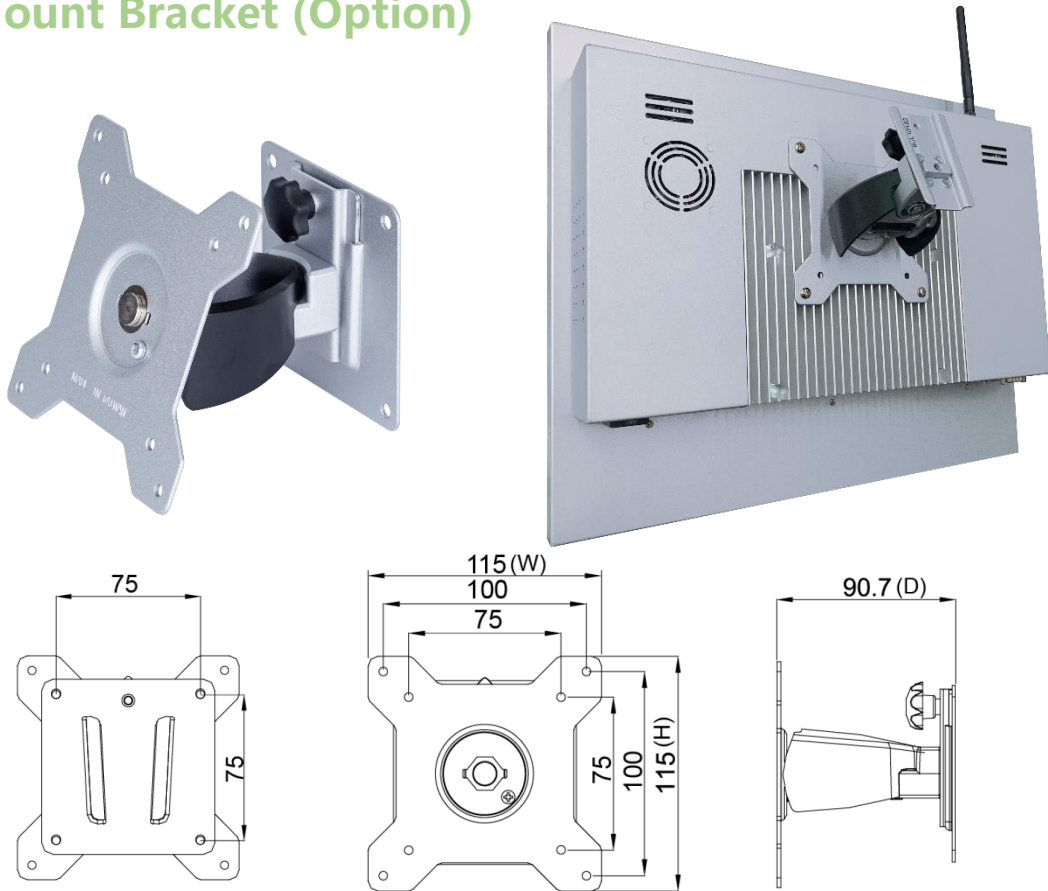
Item	L Stand	Part No.	DST-0B004/DST-1B004
Mounting Pattern	100x100 / 75x75 mm	Dimension (WxHxD)	194x194x222 mm
Material	SECC	Net Weight	1.4 KG
Tilt (Hinge)	105°	Support Max. Weight	15 KG



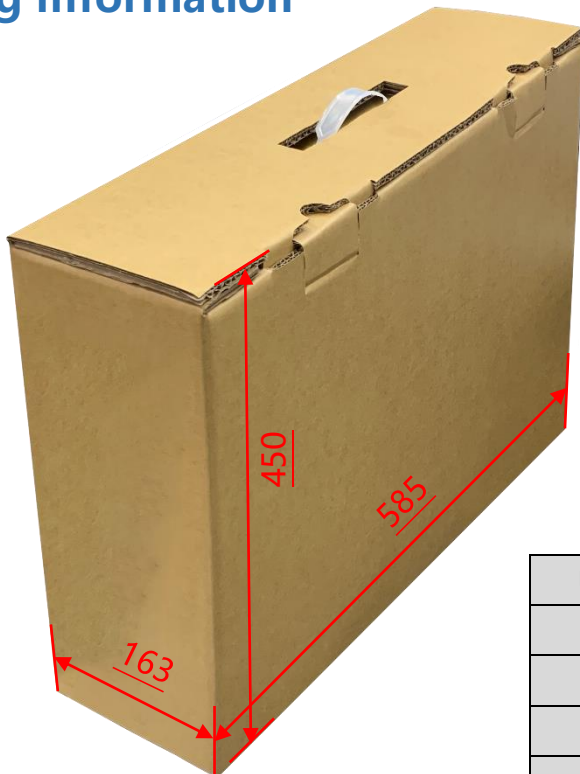
Item	B Stand	Part No.	DST-0B002/DST-1B002
Mounting Pattern	100x100 / 75x75 mm	Dimension (WxHxD)	203x275x227 mm
Material	Steel/Plastic/Aluminum	Net Weight	1.8 KG
Tilt (Hinge)	-2° ~ +180°	Support Max. Weight	15 KG



Wall Mount Bracket (Option)



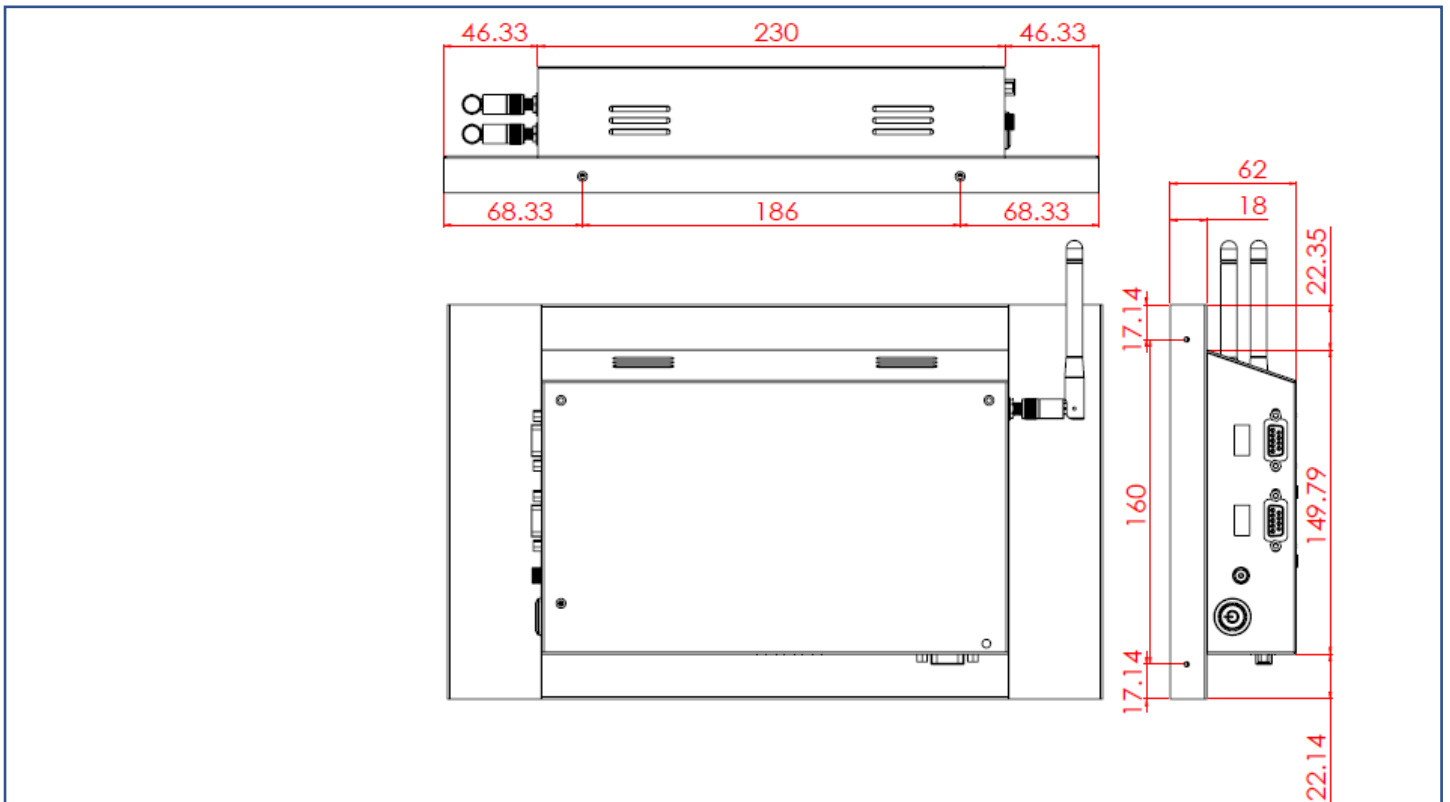
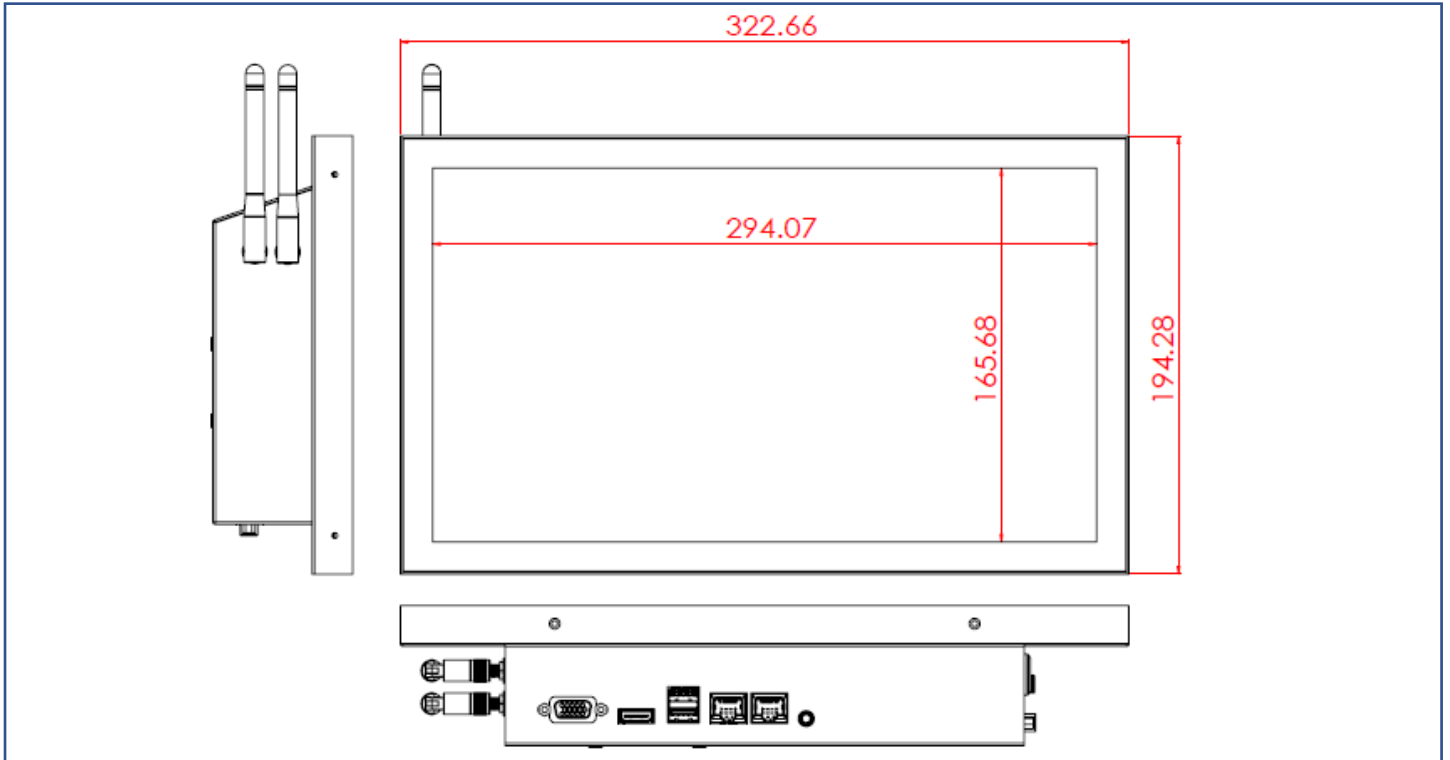
Packing Information



Unit Carton Size	585x163x450 mm
Unit N. Weight	≤2.3 KG
Unit G. Weight	≤2.9 KG
Units per Pallet	36 units
Pallet Size	120x100x147 CM

Physical Specifications

Dimension	323x194x62(±2)mm (W/O Antenna)	Net Weight	≤2.3 KG
-----------	---------------------------------------	------------	----------------



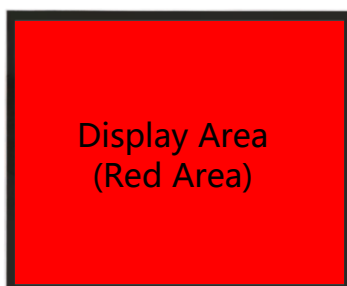
Cosmetic Inspection Standard

Display Area Allowance			
Defect description	Defective Specifications	Allowance	Remarks
Dot Defect (including dark dot, particles, bubbles, pits, dust, foreign matter)	$D \leq 0.2\text{mm}$	Ignored	D=Diameter
	$0.2 < D \leq 0.7\text{mm}$	$N \leq 5$	N=Quantity
	$0.7 < D \leq 1\text{mm}$	$N \leq 3$	
	$D > 1\text{mm}$	$N \leq 0$	
Linear Defect (including scratches, fluff, particles)	$W \leq 0.15\text{mm}$	Ignored	W=Width
	$0.15 < W \leq 0.5\text{mm}, L \leq 15\text{mm}$	$N \leq 2$	L=Length
	$W > 0.5\text{mm}$ or $L > 15\text{mm}$	NG	

* Visual inspection distance: 60cm, 90 degree (same for front/side/back)

Front Appearance Allowance (Including Coating)			
Defect description	Defective Specifications	Allowance	Remarks
Dot Defect (including particles, bubbles, pits...etc.)	$D \leq 0.7\text{mm}$	Ignored	D=Diameter
	$0.7 < D \leq 1.5\text{mm}$	$N \leq 3$	N=Quantity
	$D > 1.5\text{mm}$	$N \leq 0$	
Linear Defect (including scratches, fluff, particles)	$W \leq 0.2\text{mm}, L \leq 15\text{mm}$	Ignored	W=Width, L=Length
	$0.2 < W \leq 0.7\text{mm}, L \leq 15\text{mm}$	$N \leq 1$	
	$W > 0.7\text{mm}$ or $L > 15\text{mm}$	NG	

Side / Back Appearance Allowance (Including Coating)			
Defect description	Defective Specifications	Allowance	Remarks
Dot Defect (including particles, bubbles, pits...etc.)	$D \leq 1.5\text{mm}$	Ignored	D=Diameter
	$1.5 < D \leq 3\text{mm}$	$N \leq 8$	N=Quantity
	$D > 3\text{mm}$	$N \leq 2$	
Linear Defect (including scratches, fluff, particles)	$W \leq 0.8\text{mm}, L \leq 15\text{mm}$	Ignored	W=Width, L=Length
	$0.8 < W \leq 1.5\text{mm}, L \leq 15\text{mm}$	$N \leq 5$	
	$W > 1.5\text{mm}$ or $L > 15\text{mm}$	NG	



Display Area
(Red Area)



Front Appearance (Red Area)



Back Appearance