

# Product Specifications

<b>Customer</b>	
<b>Model Name</b>	<b>NTWP121-2 V502E</b>
<b>Model Number</b>	<b>NTWP121<u>XX2XX</u>-GI<u>XX8XX</u>-<u>XX</u>04-502E</b>

\* X = A~Z, 0~9 (Depends on Options.)



Records of Revision			
Vision	Modifying	Old Description	New Description
v2208.1	Preliminary specification		
<b>v2208.2</b>	<b>New trademark released</b>		

# Nextech WP Series 12.1" All-in-one Industrial Touch PC

**NTWP121-2 V502E**

## Features

- ★ 12.1 inch Industrial Grade Panel, 1024x768 Resolution
- ★ IAV Wide Viewing Angle Technology , 178°/178°
- ★ Wide Operating Temperature Range -30~85°C
- ★ Intel® Quad-Core N3350/N4200 CPU
- ★ DDR3 8G DRAM
- ★ Narrow Bezel, True Flat Projected Capacitive Touch Screen
- ★ 7H Hardness Tempered Cover Glass
- ★ 10 points Multi-touch, Supports Active Stylus
- ★ Metal Cabinet with Diverse Combine Options
- ★ Made in Taiwan, 3 Years Warranty, Designed for Harsh Environments
- ★ Optional High Brightness 1500nits, for Outdoor Environment
- ★ Optional AG Coating/Antibacterial/Privacy Filter Surface Treatment



PSE



BSMI



CE



ISO9001



FCC



Desktop Stand



Wall Mounting



Open-frame Bracket



Panel Mount

## System Specifications

CPU	Intel® Celeron/Pentium Processor
Memory	DDR3 SO-DIMM 8G
Storage	SATAx1, M.2 M-key (SATA 6Gb/s) x1, Full-size Mini PCIe Slot x1
GPU	Intel® HD Graphics 500
Sound Chip	Realtek® Audio CODEC
Network	Intel® i211AT Gbe LAN Chips x2

## Display Specifications

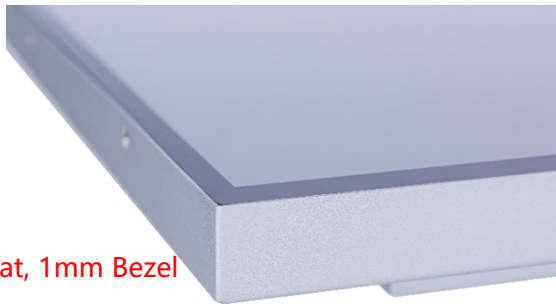
Screen Diagonal	12.1 inch	Display Mode	IAV Mode, Normally Black
Display Area	245.76x184.32 mm	Backlight Unit	LED (white LED)
Resolution	1024x768 (XGA)	Viewing Angle (L/R, U/D)	178°/178° (CR≥10)
Contrast Ratio	1000:1	Backlight Lifetime	>50,000 Hours
Display Ratio	4:3	Operating Temp.	-30~85°C
Support Colors	16.7M Colors	Storage Temp.	-40~90°C
Pixel Pitch	0.240x0.240 mm	Response Time	25 msec.

## Display Options

Brightness			
	Brightness	Environment	Model Name
Standard	600nits	General (Indoor)	NTWP121NX2XX-GIXX8XX-XX04-502E
Option 1	1000nits	Outdoor Environment	NTWP121AX2XX-GIXX8XX-XX04-502E
Option 2	1500nits	Sunlight Readable	NTWP121FX2XX-GIXX8XX-XX04-502E

## Touch Options

Projected Capacitive			
Model Name	NTWP121 <u>XP2XX</u> -G <u>IXX8XX</u> - <u>XX04</u> -502E		
Touch Technology	Projected Capacitive	Thickness of Cover Lens	1.8±0.2mm
Allowed Touch Points	10 points	Hardness of Cover Lens	7H
Transparency	≥87%	IK Ratings	IK07
Accuracy	99.00%		

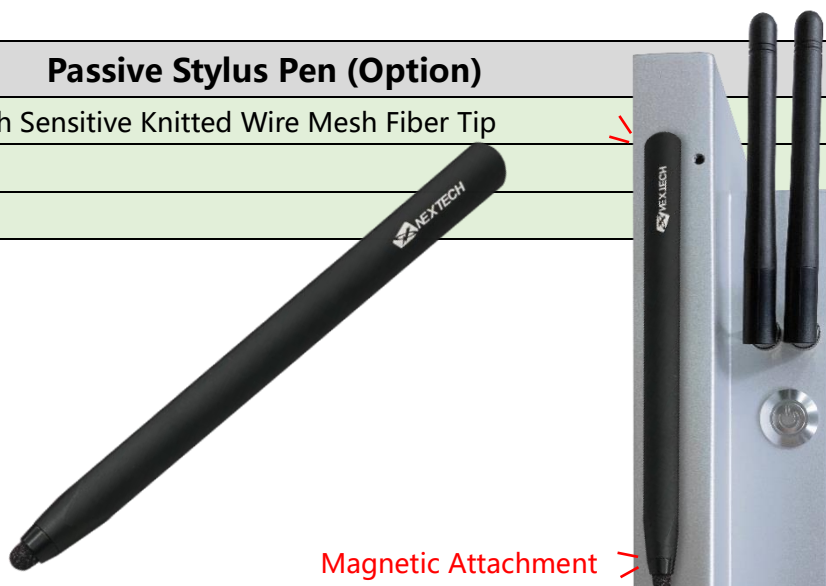


\* True Flat, 1mm Bezel

Non-Touch	
Model Name	NTWP121 <u>X02XX</u> -G <u>IXX8XX</u> - <u>XX04</u> -502E

Surface Treatment		
	Description	Model Name
<b>Standard</b>	<b>(none)</b>	<b>NTWP121<u>XX200</u>-G<u>IXX8XX</u>-<u>XX04</u>-502E</b>
Option 1	Anti-Glare Coating	NTWP121 <u>XX2GG</u> -G <u>IXX8XX</u> - <u>XX04</u> -502E
Option 2	Antibacterial (AB Film)	NTWP121 <u>XX2AB</u> -G <u>IXX8XX</u> - <u>XX04</u> -502E
Option 3	Anti-Spy (AS Film)	NTWP121 <u>XX2SF</u> -G <u>IXX8XX</u> - <u>XX04</u> -502E

Passive Stylus Pen (Option)	
Technology	Passive High Sensitive Knitted Wire Mesh Fiber Tip
Size of tip	6mm
Magnetic Attachment	Yes



Magnetic Attachment

## System Options

CPU		
	Item	Model Name
<b>Standard</b>	<b>N3350</b>	<b>NTWP121XX2XX-GIC18XX-XX04-502E</b>
Option	N4200	NTWP121XX2XX-GIC28XX-XX04-502E

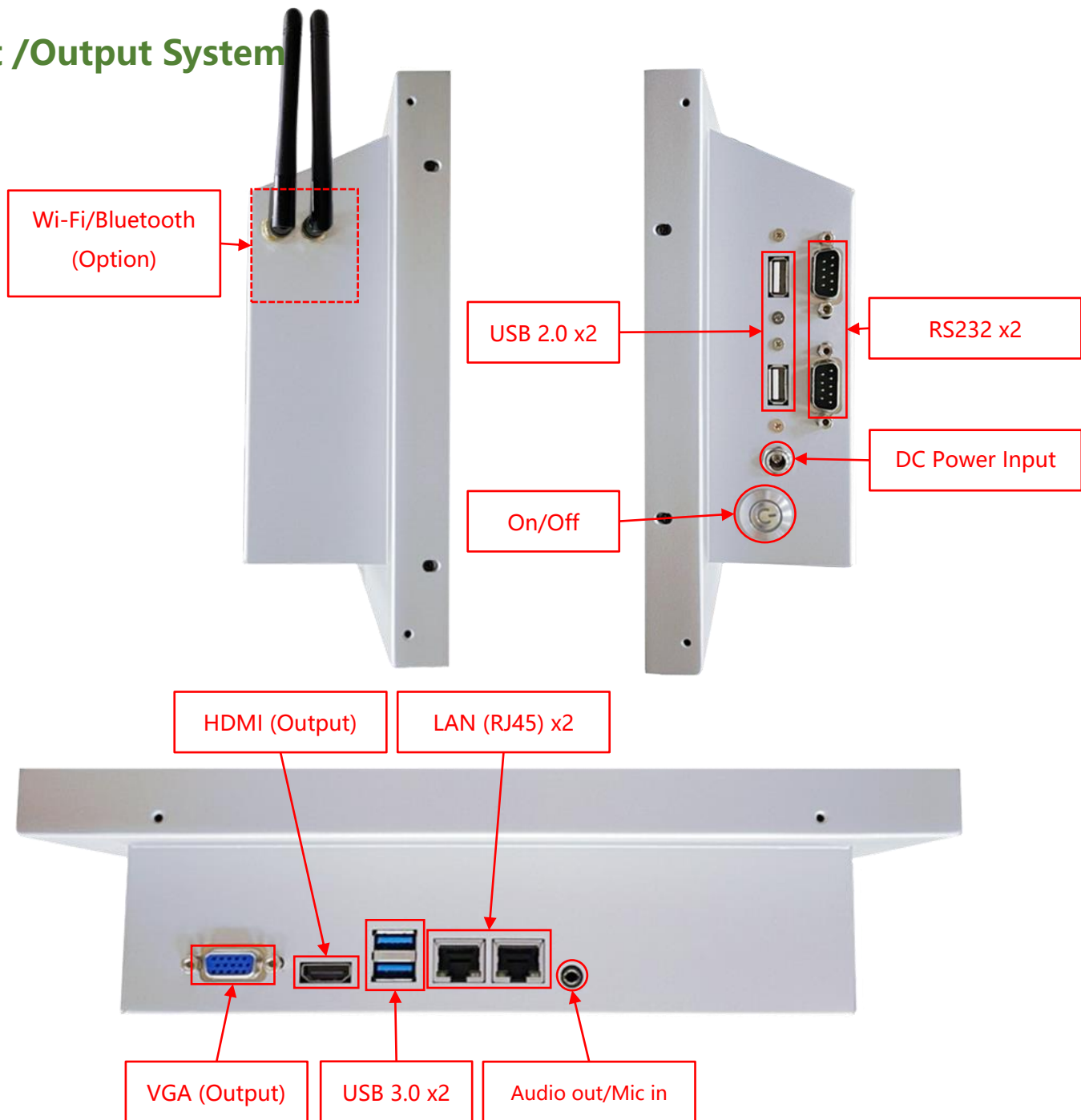
Storage		
	Item	Model Name
<b>Standard</b>	<b>SSD 128G</b>	<b>NTWP121XX2XX-GIXX8S1-XX04-502E</b>
Option 1	SSD 256G	NTWP121XX2XX-GIXX8S2-XX04-502E
Option 2	SSD 512G	NTWP121XX2XX-GIXX8S3-XX04-502E
Option 3	SSD 1TB	NTWP121XX2XX-GIXX8S4-XX04-502E

Material of Cabinet		
	Description	Model Name
<b>Standard</b>	<b>SECC</b>	<b>NTWP121XX2XX-GIXX8XX-SX04-502E</b>
Option 1	Stainless Steel	NTWP121XX2XX-GIXX8XX-LX04-502E
Option 2	Aluminum	NTWP121XX2XX-GIXX8XX-AX04-502E

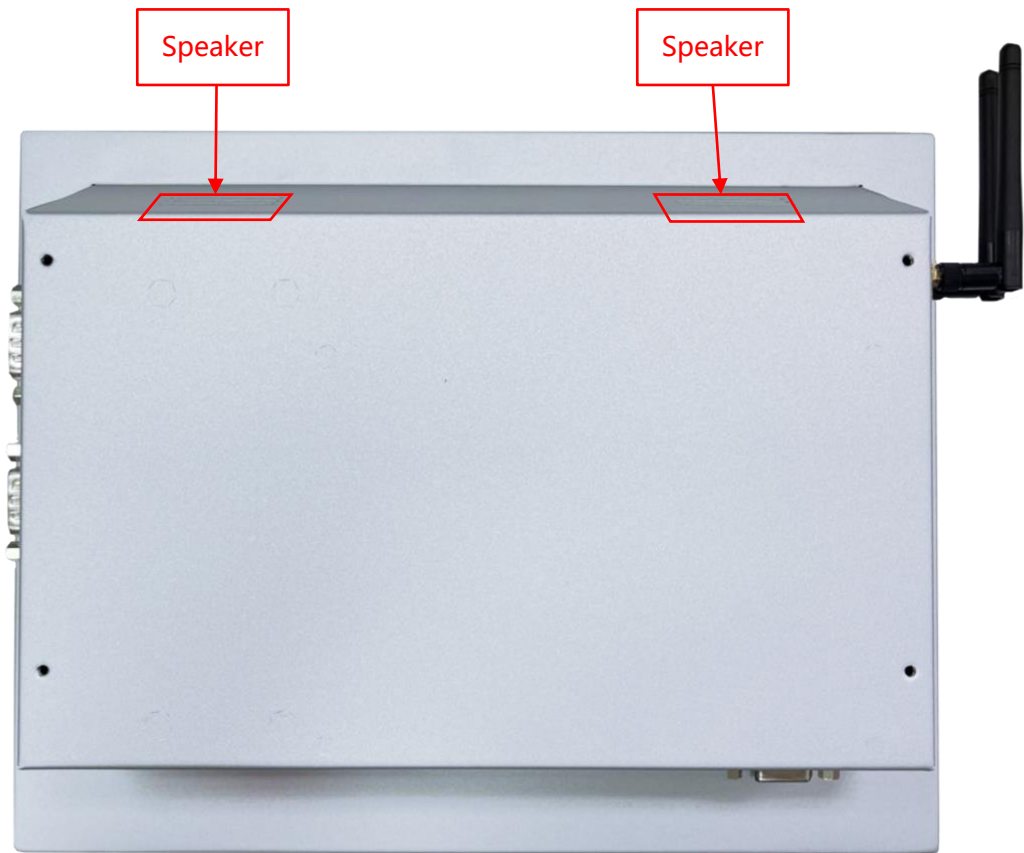
Color of Cabinet		
	Description	Model Name
<b>Standard</b>	<b>Silver</b>	<b>NTWP121XX2XX-GIXX8XX-XS04-502E</b>
Option 1	White	NTWP121XX2XX-GIXX8XX-XW04-502E
Option 2	Black	NTWP121XX2XX-GIXX8XX-XB04-502E
Options	Other Colors	NTWP121XX2XX-GIXX8XX-XX04-502E

\* X = A~Z, 0~9 (Depends on Color)

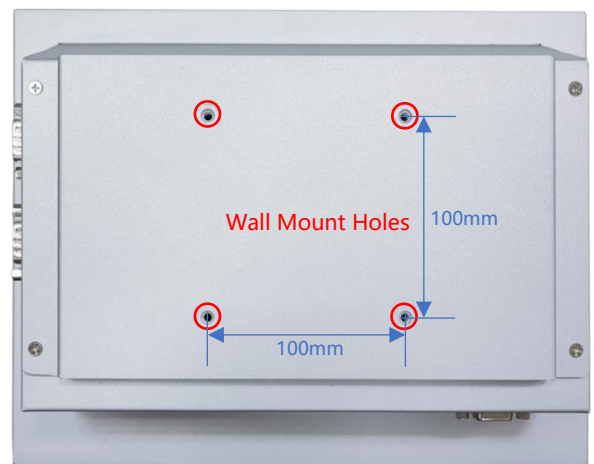
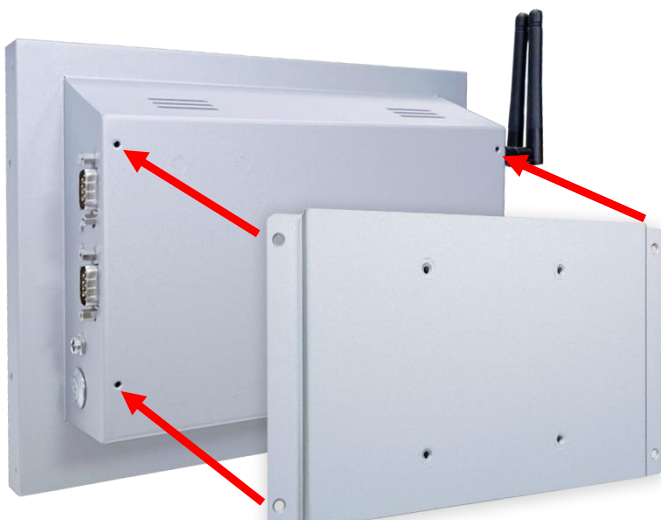
**Input /Output System**



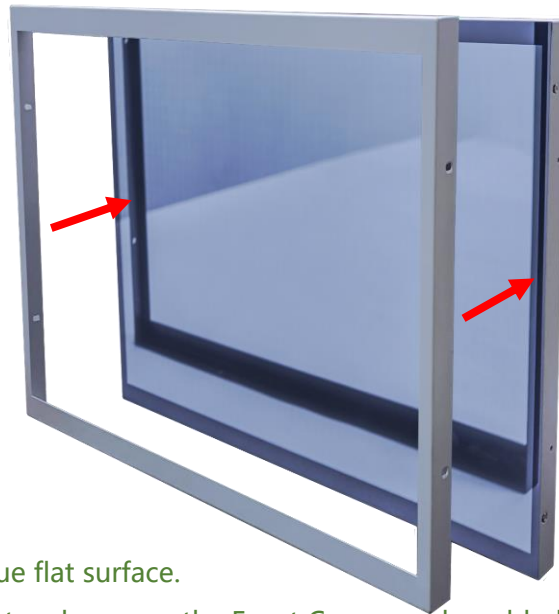
Input / Output	Connectors	Input / Output	Connectors
HDMI (Output)	1	USB 3.0	2
VGA (Output)	1	USB 2.0	2
Audio Output /Mic Input (3.5mm)	1	RS232	2
DC Power Input	1	LAN (RJ45)	2
Speakers	2W x2	Wi-Fi/Bluetooth & Antenna	Option



### Mounting Plate (Option)



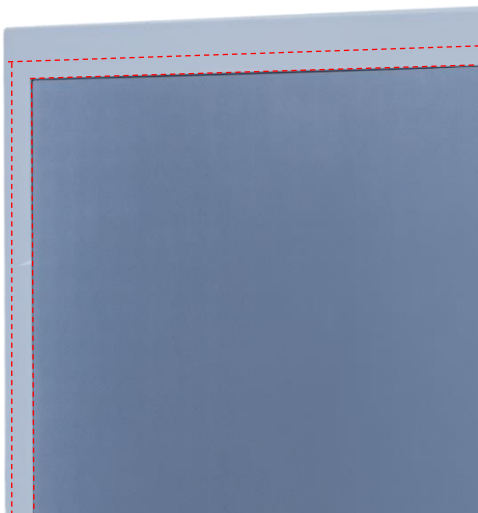
## Front Cover (Option)



The standard **NTWP121** is true flat surface.  
To protect the corners of the touch screen, the Front Cover can be added.



The watertight gasket can be added between the Front Cover and **NTWP121**.  
It complies **IP65** on front.

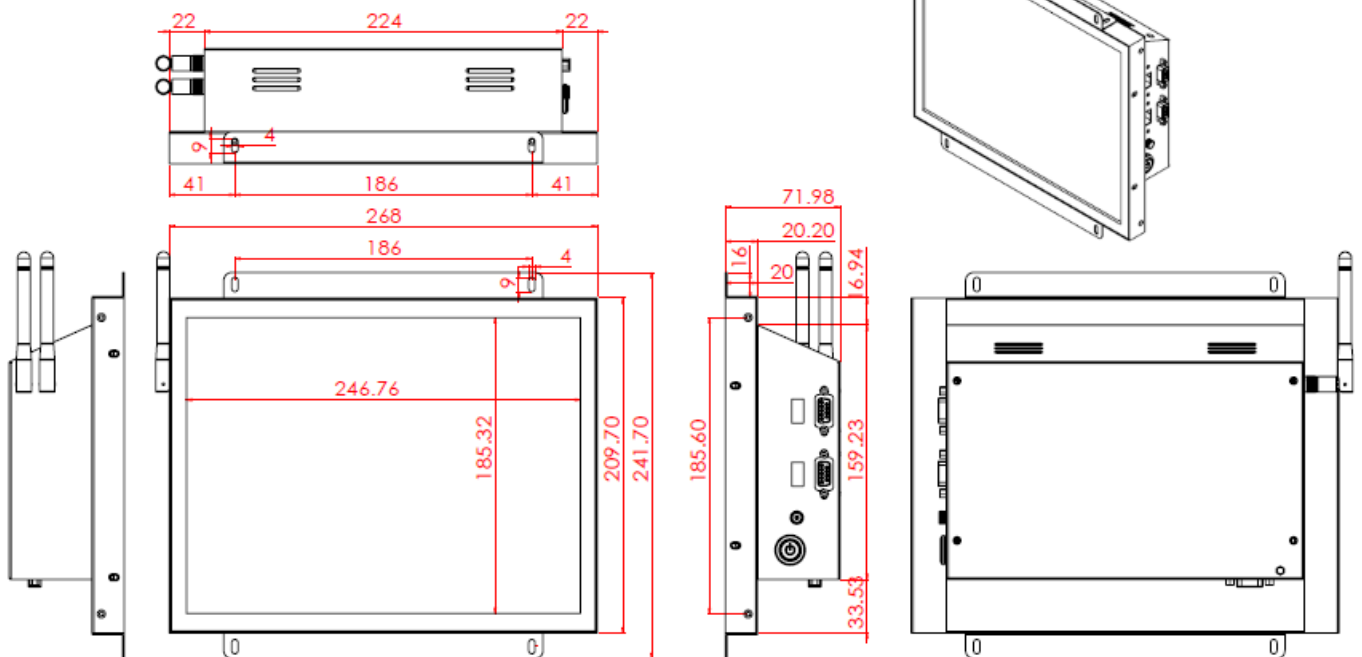




Open-frame Brackets (Option)



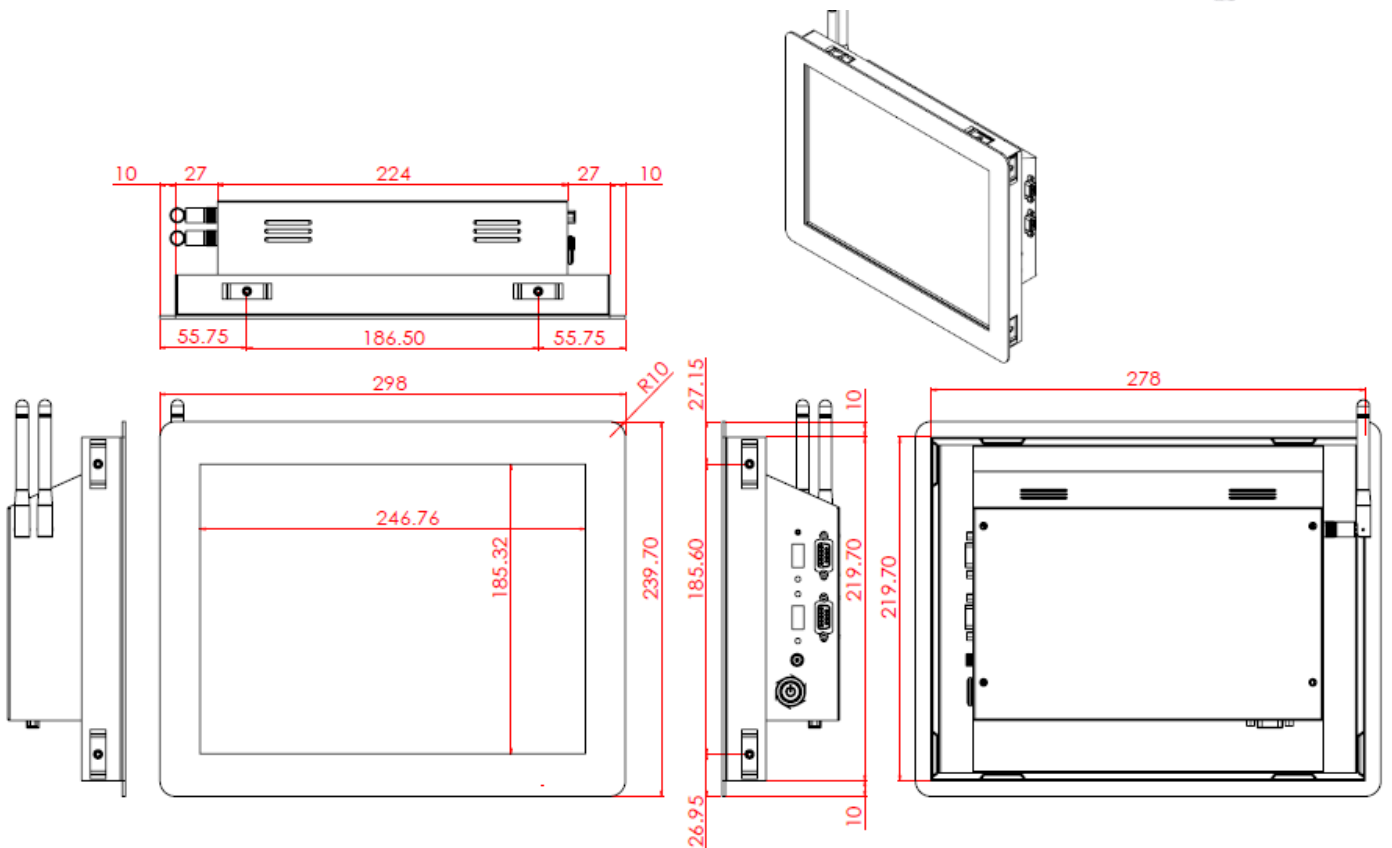
Dimension for Installing with open-frame Brackets



Panel Mount Kits (Option)

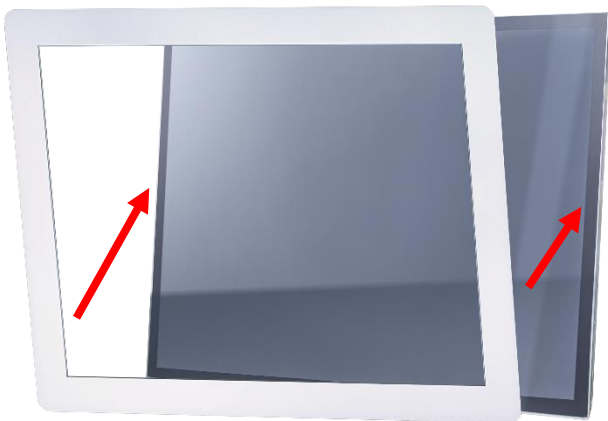


Dimension for Installing with Panel Mount Kits

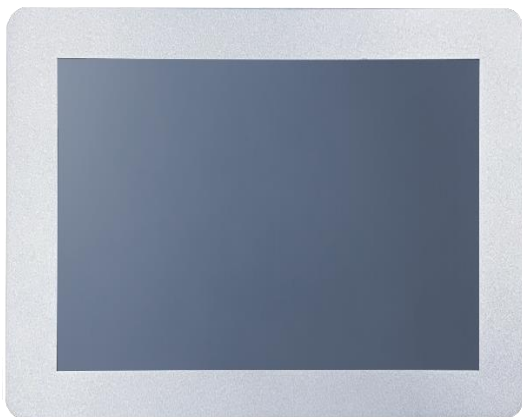
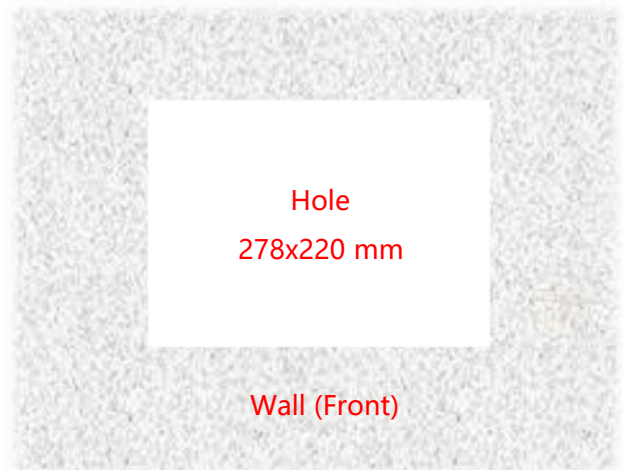


# Nextech WP Series 12.1" All-in-one Industrial Touch PC

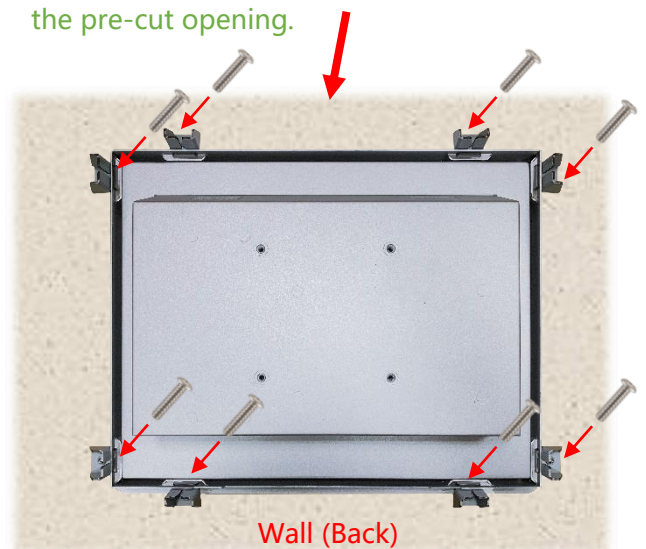
**NTWP121-2 V502E**



Step 1: Assemble the front module with the screen body. (This step is pre-assembled at the factory.)



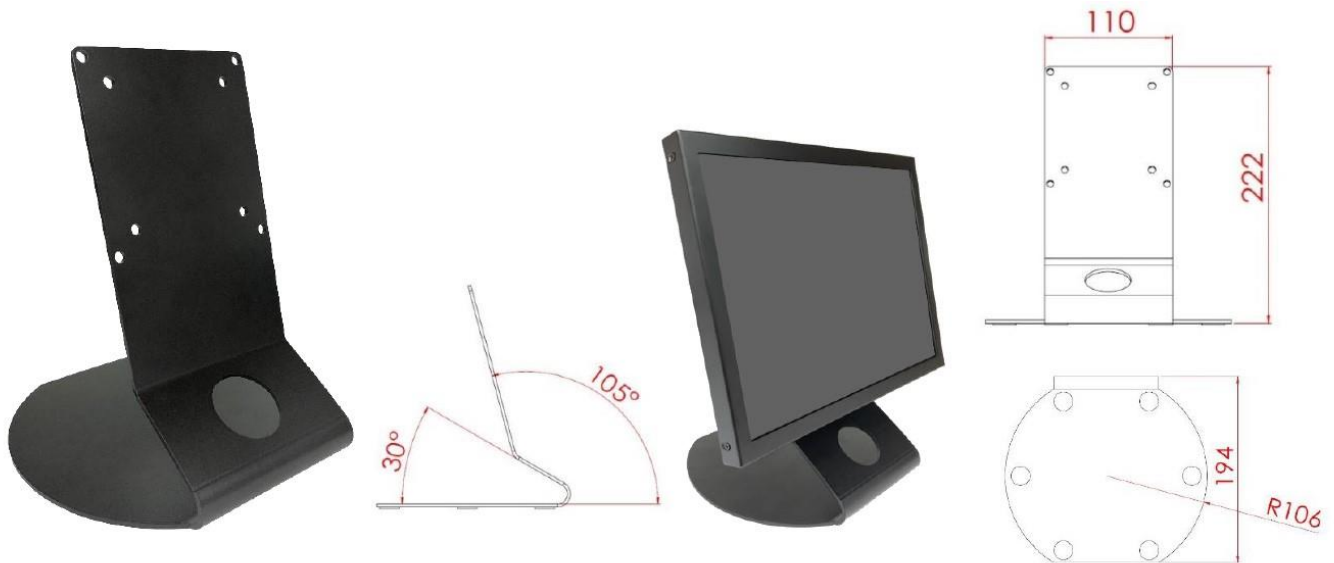
Step 2: Insert the screen from the front into the pre-cut opening.



Step 3: Attach the clips from the back and secure with screws. (Up to 10 clips can be installed as needed or per positional limitations.)

### Desktop Stand (Option)

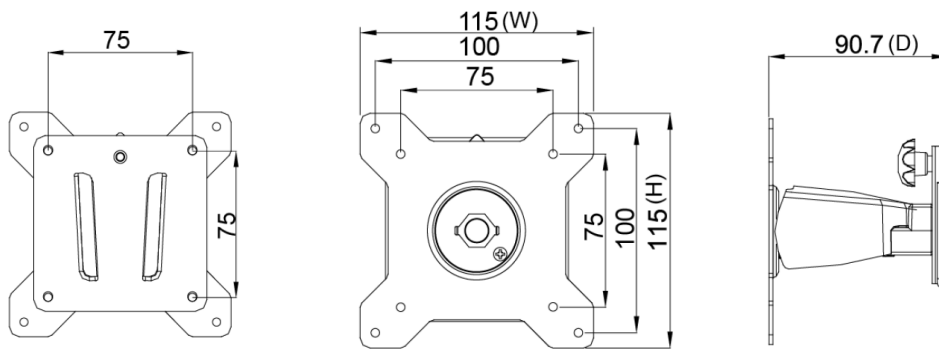
Item	L Stand	Part No.	DST-0B004/DST-1B004
Mounting Pattern	100x100 / 75x75 mm	Dimension (WxHxD)	194x194x222 mm
Material	SECC	Net Weight	1.4 KG
Tilt (Hinge)	105°	Support Max. Weight	15 KG



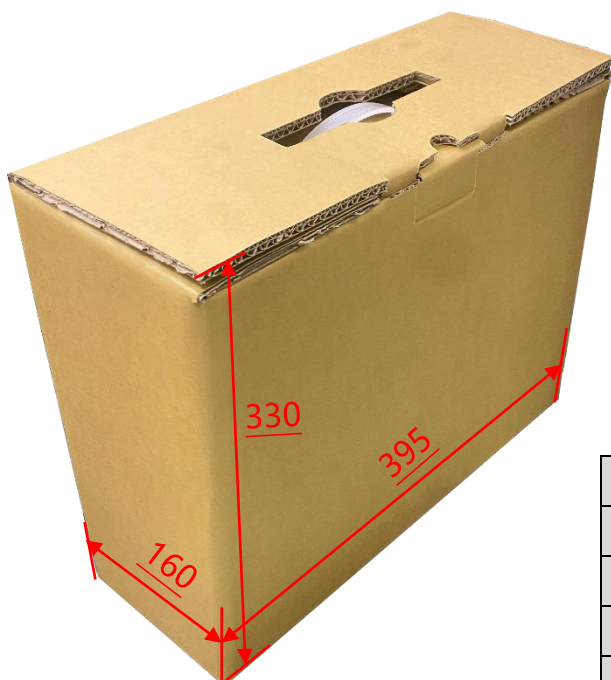
Item	B Stand	Part No.	DST-0B002/DST-1B002
Mounting Pattern	100x100 / 75x75 mm	Dimension (WxHxD)	203x275x227 mm
Material	Steel/Plastic/Aluminum	Net Weight	1.8 KG
Tilt (Hinge)	-2° ~ +180°	Support Max. Weight	15 KG



## Wall Mount Bracket (Option)



## Packing Information



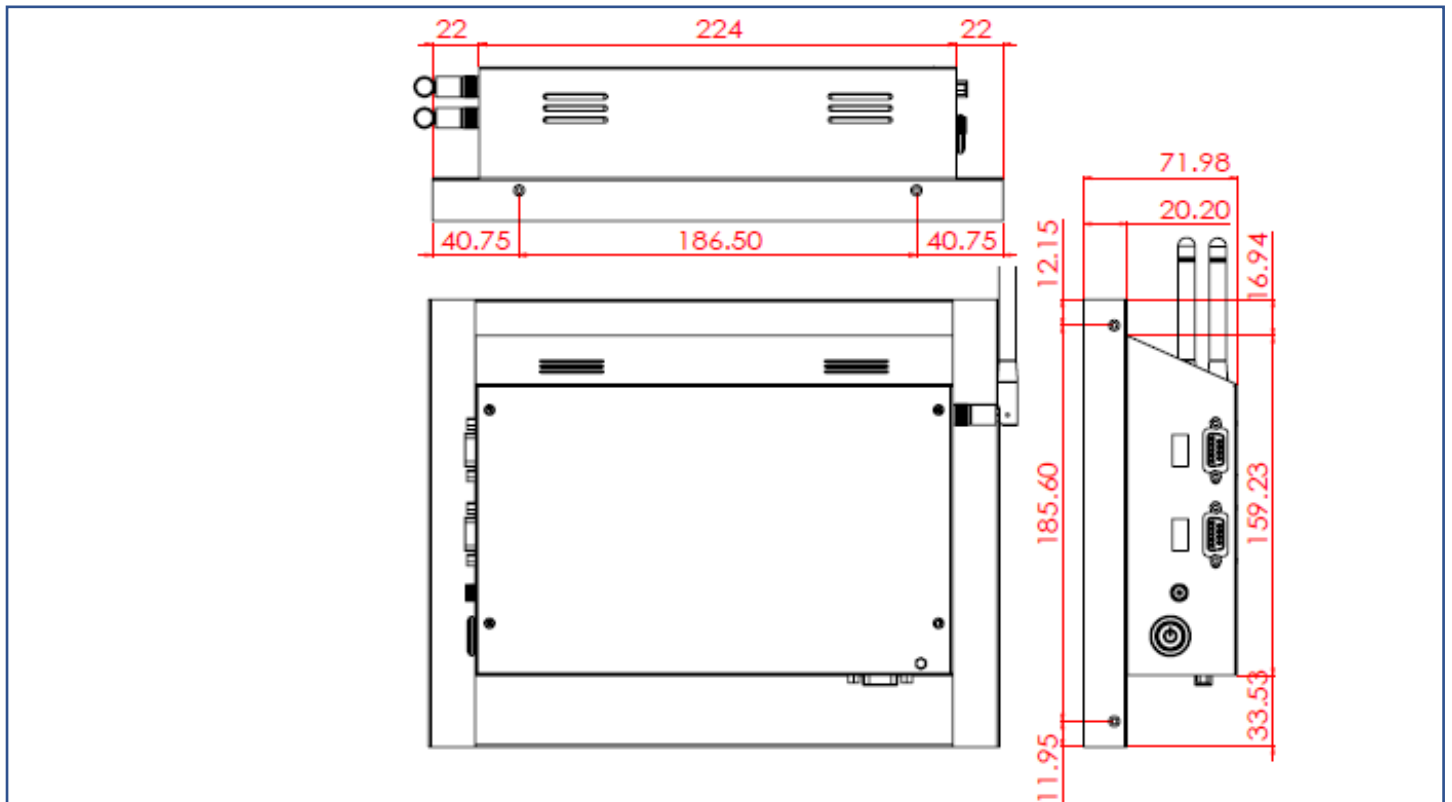
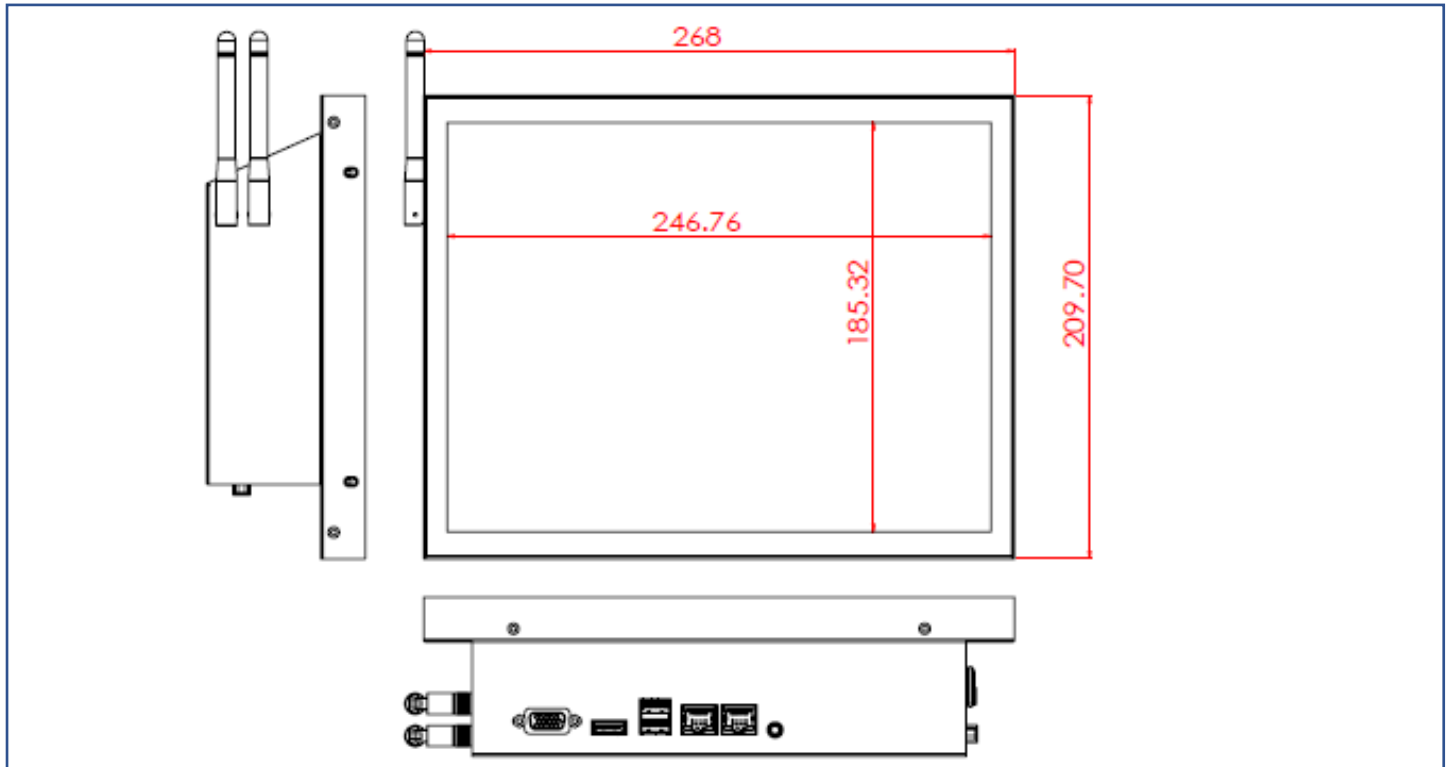
Unit Carton Size	<b>395x160x330 mm</b>
Unit N. Weight	<b>≤2.2 KG</b>
Unit G. Weight	<b>≤3.3 KG</b>
Units per Pallet	<b>72 units</b>
Pallet Size	<b>120x100x142 CM</b>

# Nextech WP Series 12.1" All-in-one Industrial Touch PC

**NTWP121-2 V502E**

## Physical Specifications

Dimension	268x210x72(±2)mm (W/O Antenna)	Net Weight	≤2.2 KG
-----------	--------------------------------	------------	---------





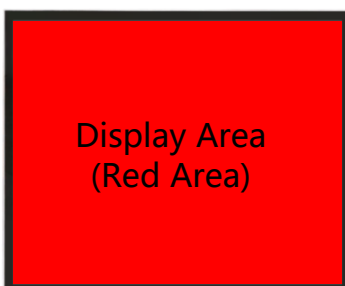
## Cosmetic Inspection Standard

Display Area Allowance			
Defect description	Defective Specifications	Allowance	Remarks
Dot Defect (including dark dot, particles, bubbles, pits, dust, foreign matter)	$D \leq 0.2\text{mm}$	Ignored	D=Diameter
	$0.2 < D \leq 0.7\text{mm}$	$N \leq 5$	N=Quantity
	$0.7 < D \leq 1\text{mm}$	$N \leq 3$	
	$D > 1\text{mm}$	$N \leq 0$	
Linear Defect (including scratches, fluff, particles)	$W \leq 0.15\text{mm}$	Ignored	W=Width
	$0.15 < W \leq 0.5\text{mm}, L \leq 15\text{mm}$	$N \leq 2$	L=Length
	$W > 0.5\text{mm}$ or $L > 15\text{mm}$	NG	

\* Visual inspection distance: 60cm, 90 degree (same for front/side/back)

Front Appearance Allowance (Including Coating)			
Defect description	Defective Specifications	Allowance	Remarks
Dot Defect (including particles, bubbles, pits...etc.)	$D \leq 0.7\text{mm}$	Ignored	D=Diameter
	$0.7 < D \leq 1.5\text{mm}$	$N \leq 3$	N=Quantity
	$D > 1.5\text{mm}$	$N \leq 0$	
Linear Defect (including scratches, fluff, particles)	$W \leq 0.2\text{mm}, L \leq 15\text{mm}$	Ignored	W=Width, L=Length
	$0.2 < W \leq 0.7\text{mm}, L \leq 15\text{mm}$	$N \leq 1$	
	$W > 0.7\text{mm}$ or $L > 15\text{mm}$	NG	

Side / Back Appearance Allowance (Including Coating)			
Defect description	Defective Specifications	Allowance	Remarks
Dot Defect (including particles, bubbles, pits...etc.)	$D \leq 1.5\text{mm}$	Ignored	D=Diameter
	$1.5 < D \leq 3\text{mm}$	$N \leq 8$	N=Quantity
	$D > 3\text{mm}$	$N \leq 2$	
Linear Defect (including scratches, fluff, particles)	$W \leq 0.8\text{mm}, L \leq 15\text{mm}$	Ignored	W=Width, L=Length
	$0.8 < W \leq 1.5\text{mm}, L \leq 15\text{mm}$	$N \leq 5$	
	$W > 1.5\text{mm}$ or $L > 15\text{mm}$	NG	



Display Area  
(Red Area)



Front Appearance (Red Area)



Back Appearance