

Product Specifications

Customer	
Model Name	NTWP104-3 V502E
Model Number	NTWP104H<u>X3XX</u>-GI<u>XX8XX</u>-<u>XX</u>04-502E

* X = A~Z, 0~9 (Depends on Options.)



Records of Revision			
Vision	Modifying	Old Description	New Description
v2406.1	Preliminary specification		

Features

- ★ 10.4 inch Industrial Grade Panel, 1024x768 Resolution
- ★ IAV Wide Viewing Angle Technology , 176°/176°
- ★ 1000nits High Brightness
- ★ Wide Operating Temperature Range -30~85°C
- ★ Intel® Quad-Core N3350/N4200 CPU
- ★ DDR3 8G DRAM
- ★ Narrow Bezel, True Flat Projected Capacitive Touch Screen
- ★ 7H Hardness Tempered Cover Glass
- ★ 10 points Multi-touch, Supports NEXTECH Dedicated Stylus
- ★ Metal Cabinet with Diverse Combine Options
- ★ Made in Taiwan, 3 Years Warranty, Designed for Harsh Environments
- ★ Optional AG Coating/Antibacterial/Privacy Filter Surface Treatment



Desktop Stand



Wall Mounting



Open-frame Bracket



Panel Mount

System Specifications

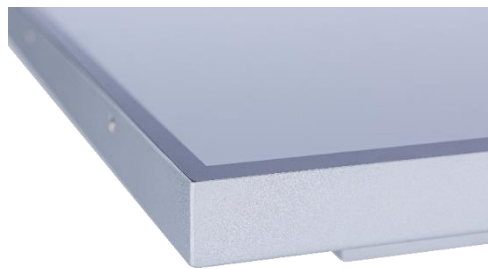
CPU	Intel® Celeron/Pentium Processor
Memory	DDR3 SO-DIMM 8G
Storage	SATAx1, M.2 M-key (SATA 6Gb/s) x1, Full-size Mini PCIe Slot x1
GPU	Intel® HD Graphics 500
Sound Chip	Realtek® Audio CODEC
Network	Intel® i211AT Gbe LAN Chips x2

Display Specifications

Screen Diagonal	10.4 inch	Display Mode	IAV Mode, Normally Black
Display Area	210.4x157.8 mm	Backlight Unit	LED (white LED)
Resolution	1024x768 (XGA)	Viewing Angle (L/R, U/D)	176°/176° (CR_≥10)
Contrast Ratio	1000:1	Response Time	25 msec.
Display Ratio	4:3	Backlight Lifetime	>50,000 Hours
Support Colors	16.7M Colors	Operating Temp.	-30~85°C
Pixel Pitch	0.0685x0.2055 mm	Storage Temp.	-30~85°C
Brightness	1000nits		

Touch Options

Projected Capacitive			
Model Name	NTWP104H <u>P3XX</u> -G <u>IXX8XX</u> - <u>XX04</u> -502E		
Touch Technology	Projected Capacitive	Thickness of Cover Lens	1.8±0.2mm
Allowed Touch Points	10 points	Hardness of Cover Lens	7H
Transparency	≥87%	IK Ratings	IK07
Accuracy	99.00%		



* True Flat, 1mm Bezel

Non-Touch	
Model Name	NTWP104H <u>03XX</u> -G <u>IXX8XX</u> - <u>XX04</u> -502E

Surface Treatment		
	Description	Model Name
Standard	(none)	NTWP104HX<u>300</u>-G<u>IXX8XX</u>-<u>XX04</u>-502E
Option 1	Anti-Glare Coating	NTWP104HX3 <u>GG</u> -G <u>IXX8XX</u> - <u>XX04</u> -502E
Option 2	Antibacterial (AB Film)	NTWP104HX3 <u>AB</u> -G <u>IXX8XX</u> - <u>XX04</u> -502E
Option 3	Anti-Spy (AS Film)	NTWP104HX3 <u>SF</u> -G <u>IXX8XX</u> - <u>XX04</u> -502E

Passive Stylus Pen (Option)	
Technology	Passive High Sensitive Knitted Wire Mesh Fiber Tip
Size of tip	6mm
Magnetic Attachment	Yes



Magnetic Attachment >

System Options

CPU		
	Item	Model Name
Standard	N3350	NTWP104HX3XX-GIC18XX-XX04-502E
Option	N4200	NTWP104HX3XX-GIC28XX-XX04-502E

Storage		
	Item	Model Name
Standard	SSD 128G	NTWP104HX3XX-GIXX8S1-XX04-502E
Option 1	SSD 256G	NTWP104HX3XX-GIXX8S2-XX04-502E
Option 2	SSD 512G	NTWP104HX3XX-GIXX8S3-XX04-502E
Option 3	SSD 1TB	NTWP104HX3XX-GIXX8S4-XX04-502E

Material of Cabinet		
	Description	Model Name
Standard	SECC	NTWP104HX3XX-GIXX8XX-SX04-502E
Option 1	Stainless Steel	NTWP104HX3XX-GIXX8XX-LX04-502E
Option 2	Aluminum	NTWP104HX3XX-GIXX8XX-AX04-502E

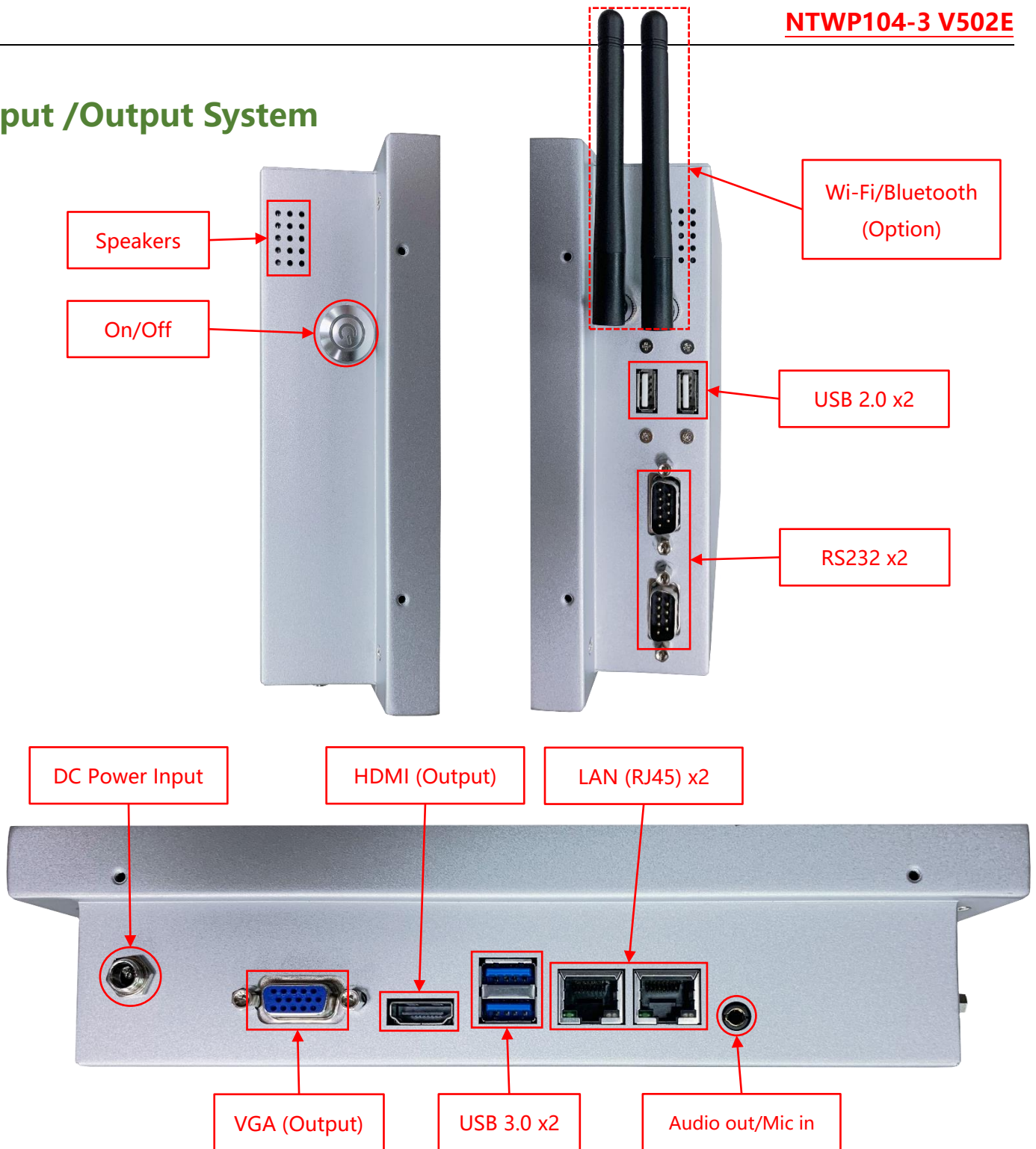
Color of Cabinet		
	Description	Model Name
Standard	Silver	NTWP104HX3XX-GIXX8XX-XS04-502E
Option 1	White	NTWP104HX3XX-GIXX8XX-XW04-502E
Option 2	Black	NTWP104HX3XX-GIXX8XX-XB04-502E
Options	Other Colors	NTWP104HX3XX-GIXX8XX-XX04-502E

* X = A~Z, 0~9 (Depends on Color)

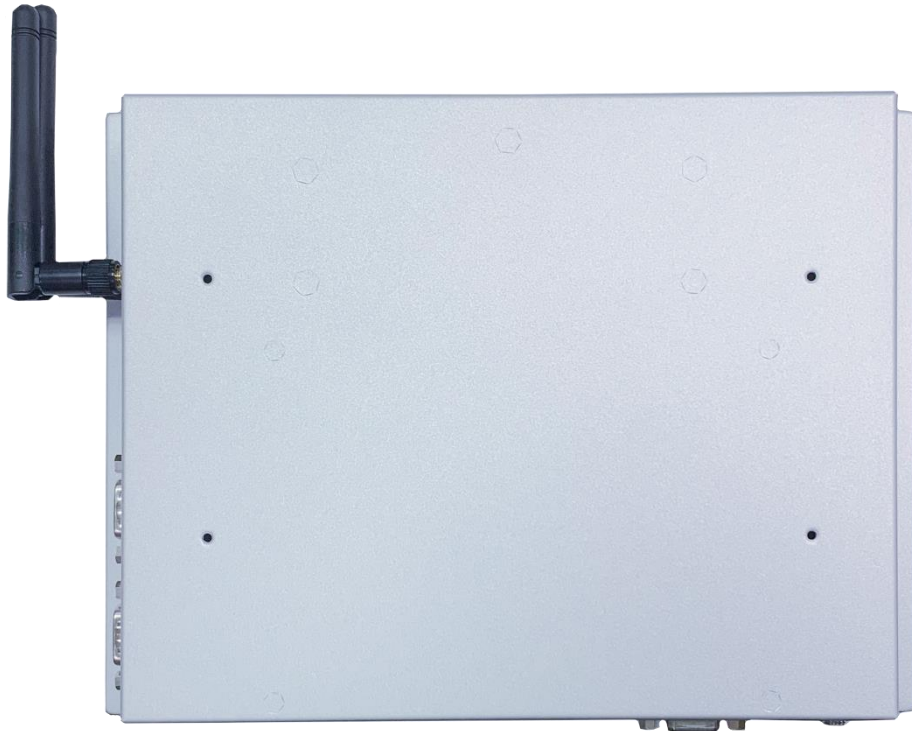
Nextech WP Series 10.4" Industrial All-in-one Touch PC

NTWP104-3 V502E

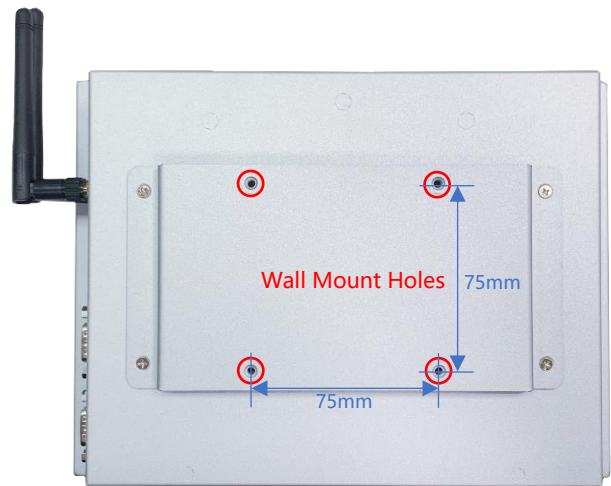
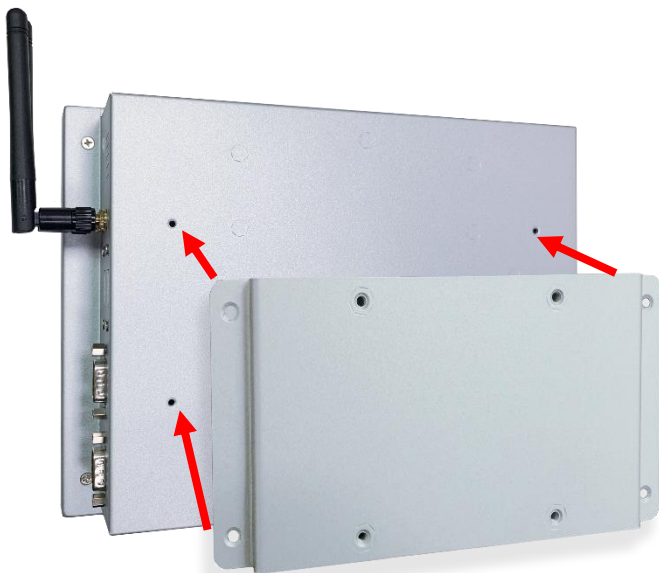
Input /Output System



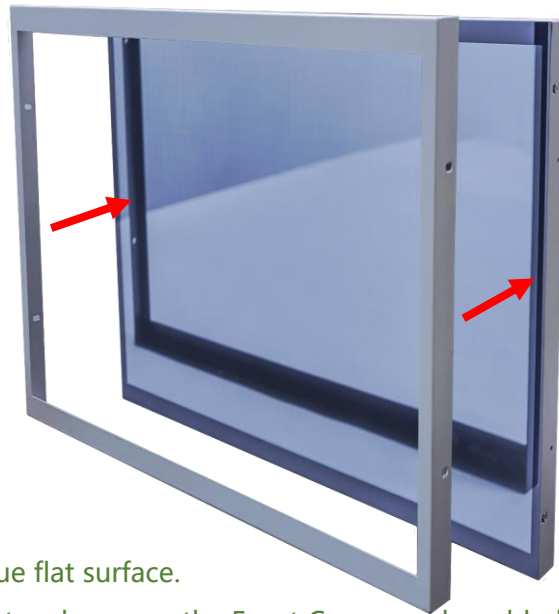
Input / Output	Connectors	Input / Output	Connectors
HDMI (Output)	1	USB 3.0	2
VGA (Output)	1	USB 2.0	2
Audio Output /Mic Input (3.5mm)	1	RS232	2
DC Power Input	1	LAN (RJ45)	2
Speakers	1W x2	Wi-Fi/Bluetooth & Antenna	Option



Mounting Plate (Option)



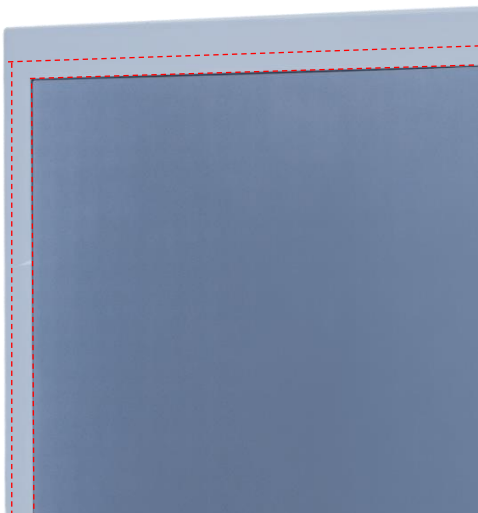
Front Cover (Option)



The standard **NTWP104** is true flat surface.
To protect the corners of the touch screen, the Front Cover can be added.



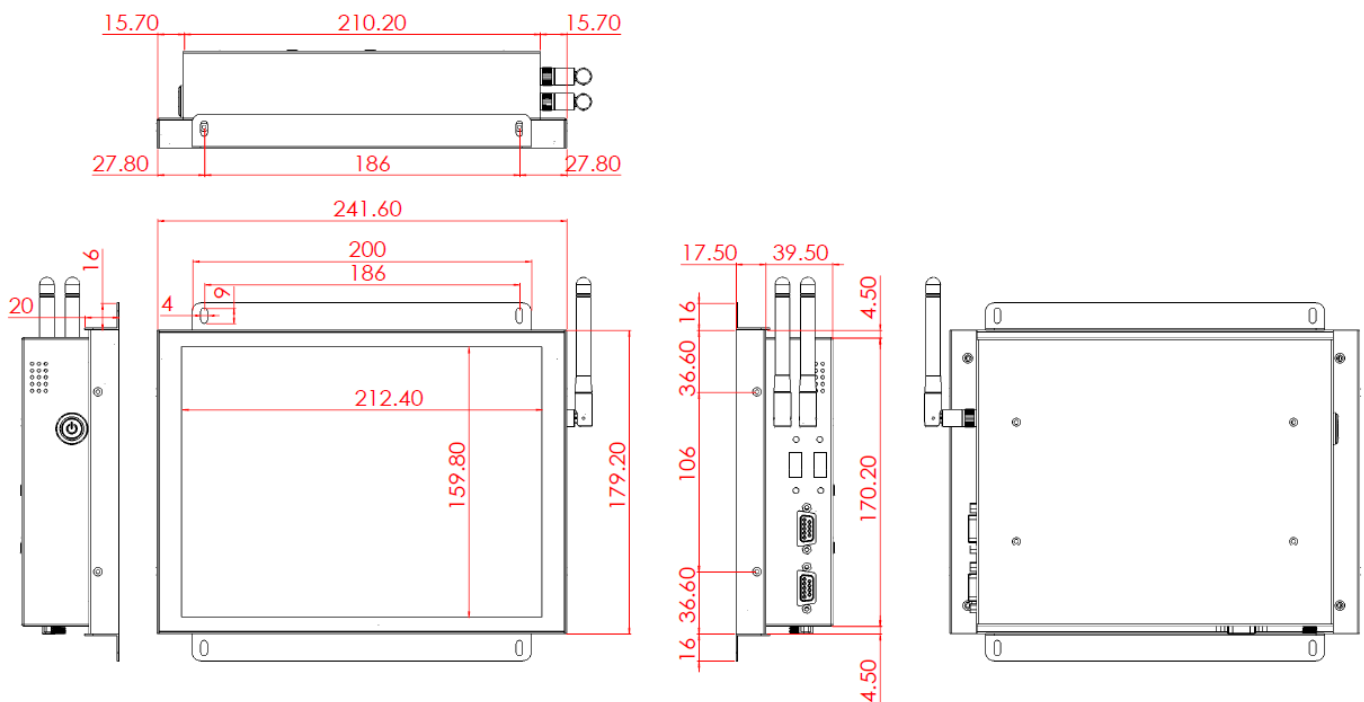
The watertight gasket can be added between the Front Cover and **NTWP104**.
It complies **IP65** on front.



Open-frame Brackets (Option)



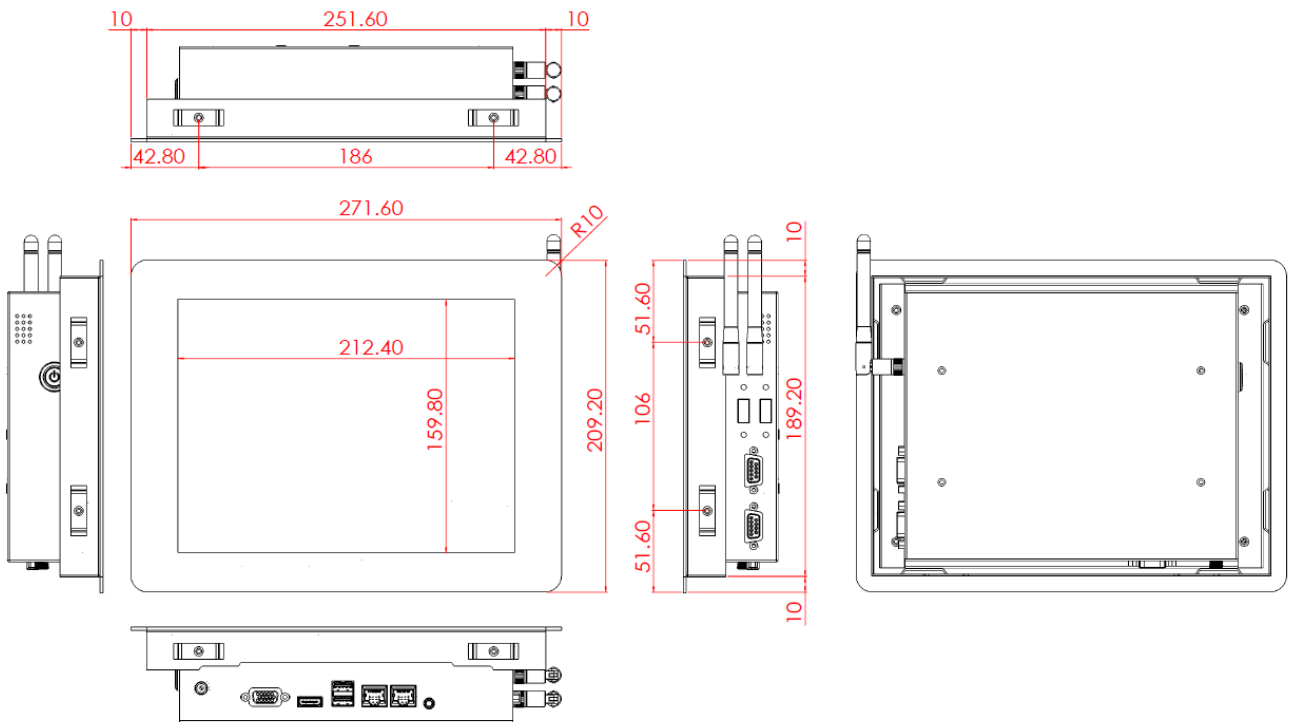
Dimension for Installing with open-frame Brackets

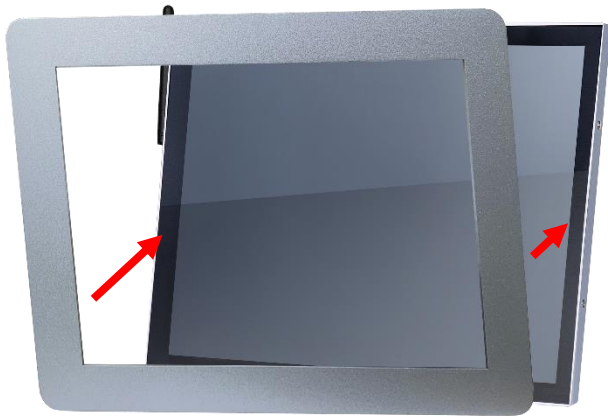


Panel Mount Kits (Option)

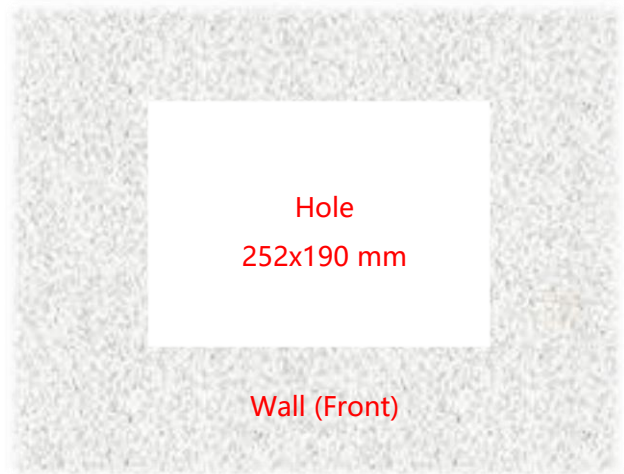


Dimension for Installing with Panel Mount Kits

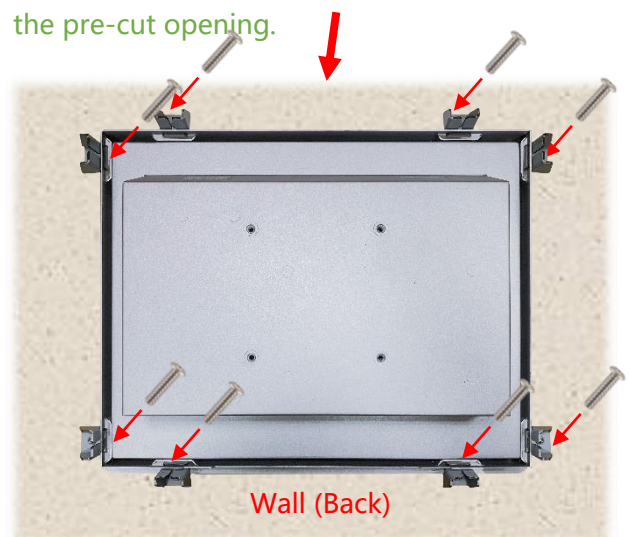




Step 1: Assemble the front module with the screen body. (This step is pre-assembled at the factory.)



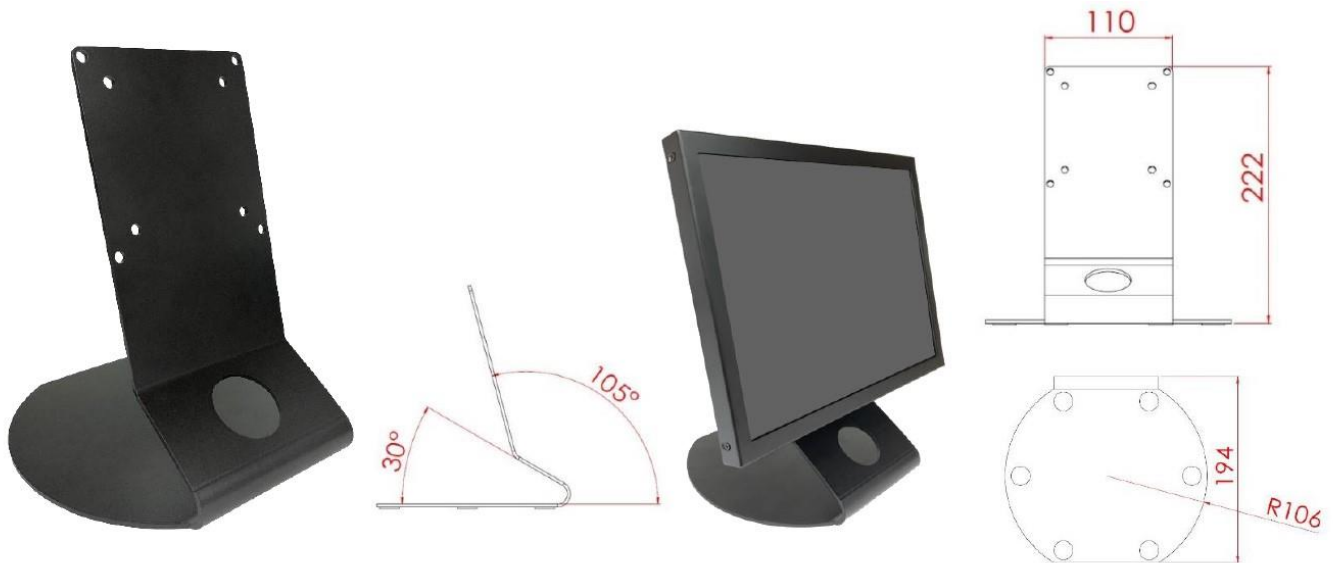
Step 2: Insert the screen from the front into the pre-cut opening.



Step 3: Attach the clips from the back and secure with screws. (Up to 8 clips can be installed as needed or per positional limitations.)

Desktop Stand (Option)

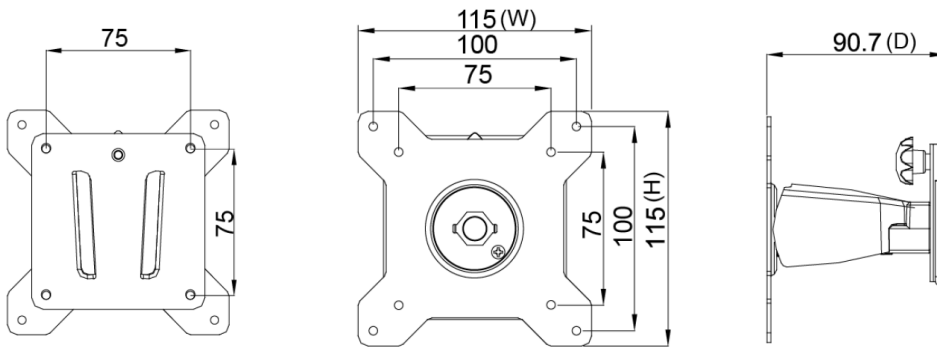
Item	L Stand	Part No.	DST-0B004/DST-1B004
Mounting Pattern	100x100 / 75x75 mm	Dimension (WxHxD)	194x194x222 mm
Material	SECC	Net Weight	1.4 KG
Tilt (Hinge)	105°	Support Max. Weight	15 KG



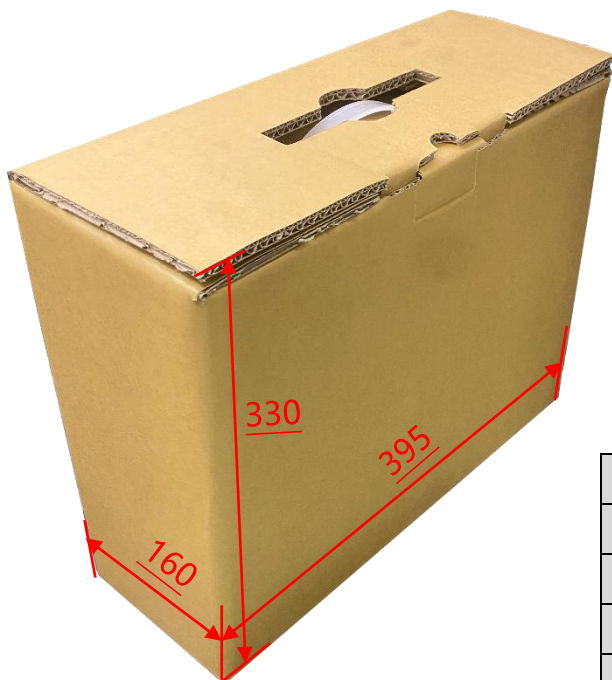
Item	B Stand	Part No.	DST-0B002/DST-1B002
Mounting Pattern	100x100 / 75x75 mm	Dimension (WxHxD)	203x275x227 mm
Material	Steel/Plastic/Aluminum	Net Weight	1.8 KG
Tilt (Hinge)	-2° ~ +180°	Support Max. Weight	15 KG



Wall Mount Bracket (Option)



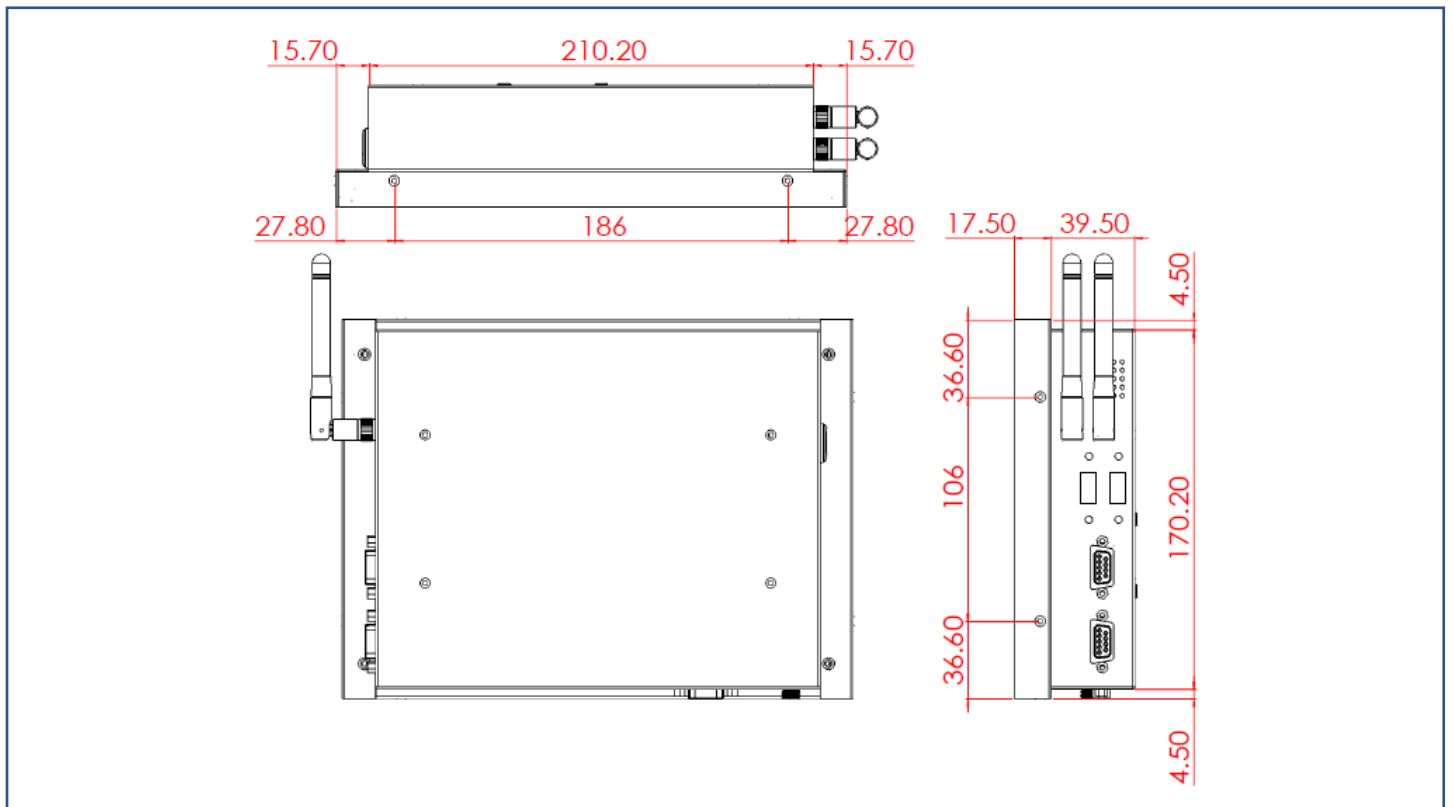
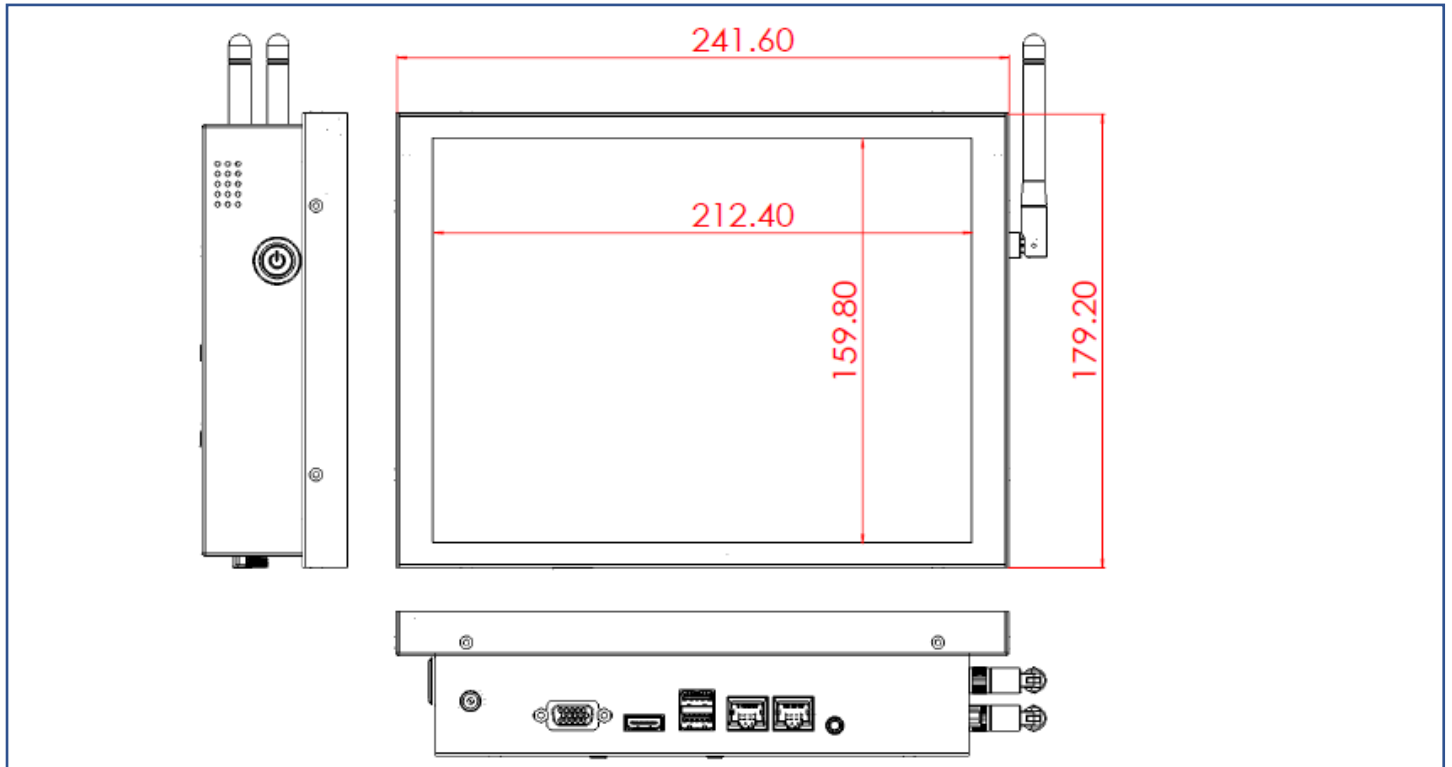
Packing Information



Unit Carton Size	395x160x330 mm
Unit N. Weight	≤2.0 KG
Unit G. Weight	≤3.1 KG
Units per Pallet	72 units
Pallet Size	120x100x142 CM

Physical Specifications

Dimension (W/O Antenna)	242x179x57 (±2)mm	Net Weight	≤2.0 KG
-------------------------	--------------------------	------------	----------------



Cosmetic Inspection Standard

Display Area Allowance			
Defect description	Defective Specifications	Allowance	Remarks
Dot Defect (including dark dot, particles, bubbles, pits, dust, foreign matter)	$D \leq 0.2\text{mm}$	Ignored	D=Diameter
	$0.2 < D \leq 0.7\text{mm}$	$N \leq 5$	N=Quantity
	$0.7 < D \leq 1\text{mm}$	$N \leq 3$	
	$D > 1\text{mm}$	$N \leq 0$	
Linear Defect (including scratches, fluff, particles)	$W \leq 0.15\text{mm}$	Ignored	W=Width
	$0.15 < W \leq 0.5\text{mm}, L \leq 15\text{mm}$	$N \leq 2$	L=Length
	$W > 0.5\text{mm}$ or $L > 15\text{mm}$	NG	

* Visual inspection distance: 60cm, 90 degree (same for front/side/back)

Front Appearance Allowance (Including Coating)			
Defect description	Defective Specifications	Allowance	Remarks
Dot Defect (including particles, bubbles, pits...etc.)	$D \leq 0.7\text{mm}$	Ignored	D=Diameter
	$0.7 < D \leq 1.5\text{mm}$	$N \leq 3$	N=Quantity
	$D > 1.5\text{mm}$	$N \leq 0$	
Linear Defect (including scratches, fluff, particles)	$W \leq 0.2\text{mm}, L \leq 15\text{mm}$	Ignored	W=Width, L=Length
	$0.2 < W \leq 0.7\text{mm}, L \leq 15\text{mm}$	$N \leq 1$	
	$W > 0.7\text{mm}$ or $L > 15\text{mm}$	NG	

Side / Back Appearance Allowance (Including Coating)			
Defect description	Defective Specifications	Allowance	Remarks
Dot Defect (including particles, bubbles, pits...etc.)	$D \leq 1.5\text{mm}$	Ignored	D=Diameter
	$1.5 < D \leq 3\text{mm}$	$N \leq 8$	N=Quantity
	$D > 3\text{mm}$	$N \leq 2$	
Linear Defect (including scratches, fluff, particles)	$W \leq 0.8\text{mm}, L \leq 15\text{mm}$	Ignored	W=Width, L=Length
	$0.8 < W \leq 1.5\text{mm}, L \leq 15\text{mm}$	$N \leq 5$	
	$W > 1.5\text{mm}$ or $L > 15\text{mm}$	NG	



Display Area
(Red Area)



Front Appearance (Red Area)



Back Appearance