



Product Specifications

Customer	
Model Name	NTWP070 V502E
Model Number	NTWP070<u>XXSXX</u>-GI<u>XX8XX</u>-<u>XX</u>04-502E

* X = A~Z, 0~9 (Depends on Options.)



Records of Revision			
Vision	Modifying	Old Description	New Description
v2210.1	Preliminary Specification		



Features

- ★ 7 inch Industrial Grade Panel, 800x480 Resolution
- ★ Wide Operating Temperature Range -30~85°C
- ★ Intel® Quad-Core N3350/N4200 CPU
- ★ DDR3 8G DRAM
- ★ Projected Capacitive Touch Screen
- ★ 7H Hardness Tempered Cover Glass
- ★ 10 points Multi-touch , Supports Active Stylus
- ★ Metal Cabinet with Diverse Combine Options
- ★ Made in Taiwan, 3 Years Warranty, Designed for Harsh Environments
- ★ Optional High Brightness 1500nits, for Outdoor Environment
- ★ Optional AG Coating/Antibacterial/Privacy Filter Surface Treatment



PSE



BSMI



RoHS



CE



ISO9001



FCC



Open-frame Brackets



Panel Mount



System Specifications

CPU	Intel® Celeron/Pentium Processor
Memory	DDR3 SO-DIMM 8G
Storage	SATAx1, M.2 M-key (SATA 6Gb/s) x1, Full-size Mini PCIe Slot x1
GPU	Intel® HD Graphics 500
Sound Chip	Realtek® Audio CODEC
Network	Intel® i211AT Gbe LAN Chips x2

Display Specifications

Screen Diagonal	117.8 mm (7.0 inch)	Display Mode	TN Mode, Normally White
Display Area	152.4x91.44 mm	Backlight Unit	LED (white LED)
Resolution	800x480	Viewing Angle (L/R, U/D)	160°/160° (CR=10)
Contrast Ratio	1000:1	Backlight Lifetime	>50,000 Hours
Support Colors	16.2M Colors	Operating Temp.	-30~85°C
Pixel Pitch	0.1905x0.1905 mm	Storage Temp.	-30~85°C
Response Time	8 msec.	Surface Treatment	Anti-glare, Hardness 3H

Display Options

Brightness			
	Brightness	Environment	Model Name
Standard	400nits	General (Indoor)	NTWP070NXSXX-GIXX8XX-XX04-502E
Option 1	1000nits	Outdoor Environment	NTWP070AXSXX-GIXX8XX-XX04-502E
Option 2	1500nits	Sunlight Readable	NTWP070FXSXX-GIXX8XX-XX04-502E



Touch Options

Projected Capacitive			
Model Name	NTWP070 <u>X</u> <u>P</u> <u>S</u> <u>X</u> X-G <u>I</u> <u>X</u> <u>X</u> 8 <u>X</u> <u>X</u> - <u>XX</u> 04-502E		
Touch Technology	Projected Capacitive	Thickness of Cover Lens	2.0±0.2mm
Allowed Touch Points	10 points	Hardness of Cover Lens	7H
Transparency	≥87%	IK Ratings	IK07
Accuracy	99.00%		

Non-Touch	
Model Name	NTWP070 <u>X</u> <u>O</u> <u>S</u> <u>X</u> X-G <u>I</u> <u>X</u> <u>X</u> 8 <u>X</u> <u>X</u> - <u>XX</u> 04-502E

Surface Treatment Options		
	Description	Model Name
Standard	(none)	NTWP070<u>X</u><u>X</u><u>S</u><u>00</u>-G<u>I</u><u>X</u><u>X</u>8<u>X</u><u>X</u>-<u>XX</u>04-502E
Option 1	Anti-Glare Coating	NTWP070 <u>X</u> <u>X</u> <u>S</u> <u>GG</u> -G <u>I</u> <u>X</u> <u>X</u> 8 <u>X</u> <u>X</u> - <u>XX</u> 04-502E
Option 2	Antibacterial (AB Film)	NTWP070 <u>X</u> <u>X</u> <u>S</u> <u>AB</u> -G <u>I</u> <u>X</u> <u>X</u> 8 <u>X</u> <u>X</u> - <u>XX</u> 04-502E
Option 3	Anti-Spy (AS Film)	NTWP070 <u>X</u> <u>X</u> <u>S</u> <u>SF</u> -G <u>I</u> <u>X</u> <u>X</u> 8 <u>X</u> <u>X</u> - <u>XX</u> 04-502E



System Options

CPU		
	Item	Model Name
Standard	N3350	NTWP070XXSXX-GIC18XX-XX04-502E
Option	N4200	NTWP070XXSXX-GIC28XX-XX04-502E

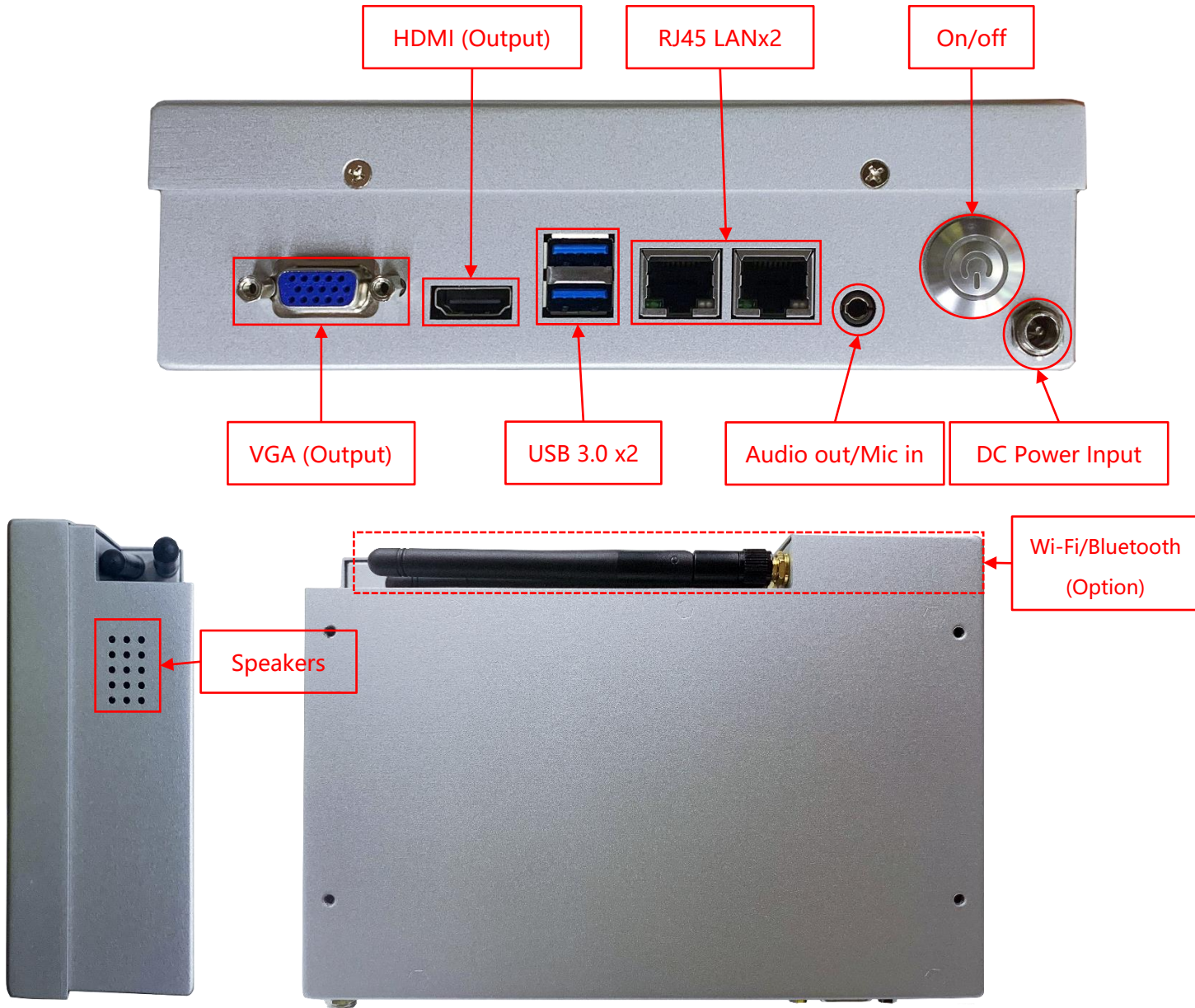
Storage		
	Item	Model Name
Standard	SSD 128G	NTWP070XXSXX-GIXX8S1-XX04-502E
Option 1	SSD 256G	NTWP070XXSXX-GIXX8S2-XX04-502E
Option 2	SSD 512G	NTWP070XXSXX-GIXX8S3-XX04-502E
Option 3	SSD 1TB	NTWP070XXSXX-GIXX8S4-XX04-502E

Material of Cabinet		
	Description	Model Name
Standard	SECC	NTWP070XXSXX-GIXX8XX-SX04-502E
Option 1	Stainless Steel	NTWP070XXSXX-GIXX8XX-LX04-502E
Option 2	Aluminum	NTWP070XXSXX-GIXX8XX-AX04-502E

Color of Cabinet		
	Description	Model Name
Standard	Silver	NTWP070XXSXX-GIXX8XX-XS04-502E
Option 1	White	NTWP070XXSXX-GIXX8XX-XW04-502E
Option 2	Black	NTWP070XXSXX-GIXX8XX-XB04-502E
Options	Other Colors	NTWP070XXSXX-GIXX8XX-XX04-502E

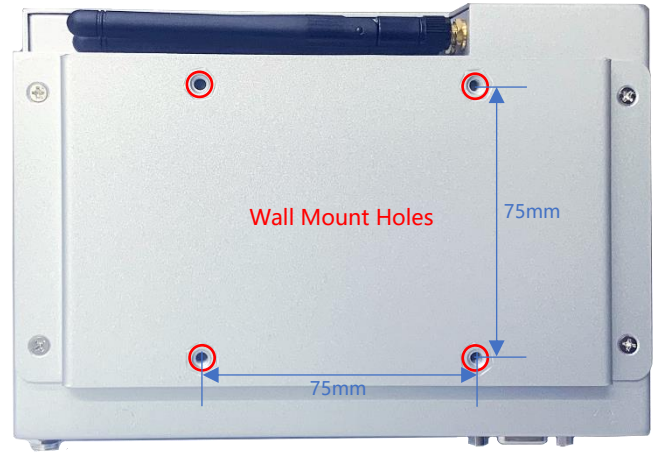
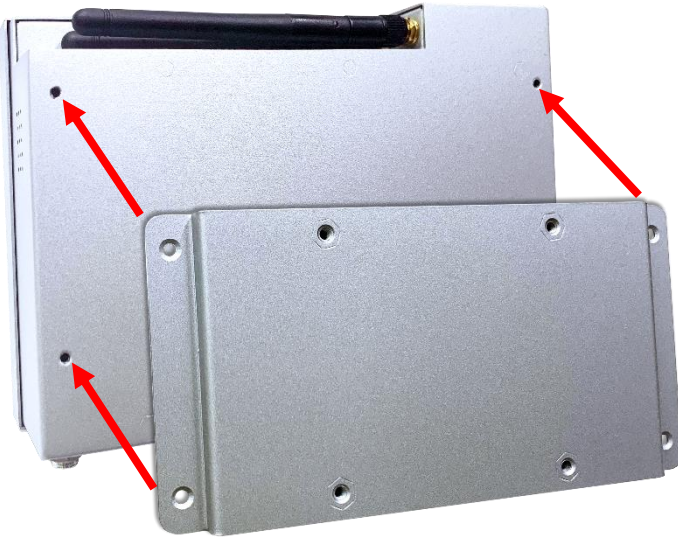
* X = A~Z, 0~9 (Depends on Color)

Input /Output System

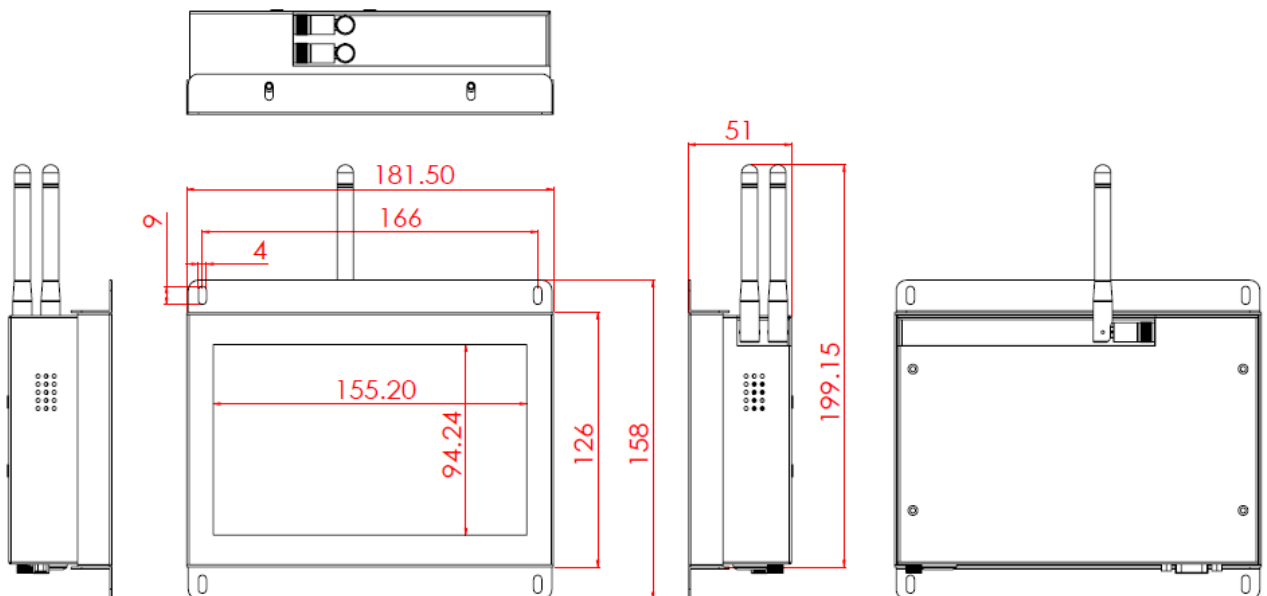
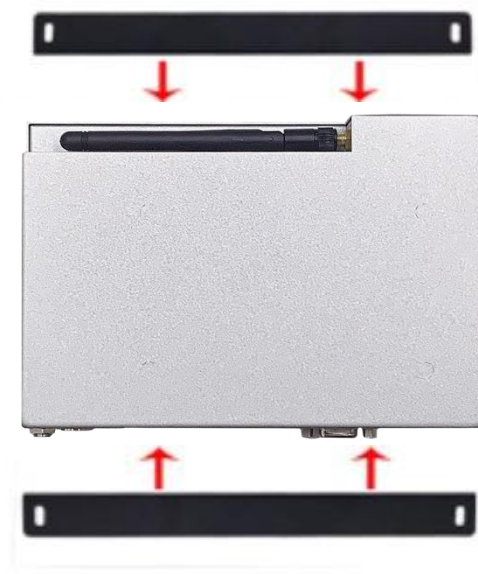


Input / Output	Connectors	Input / Output	Connectors
HDMI (Output)	1	USB 3.0	2
VGA (Output)	1	LAN (RJ45)	2
Audio Output /Mic Input (3.5mm)	1	Wi-Fi/Bluetooth & Antenna	Option
DC Power Input	1	Speakers	1W x2

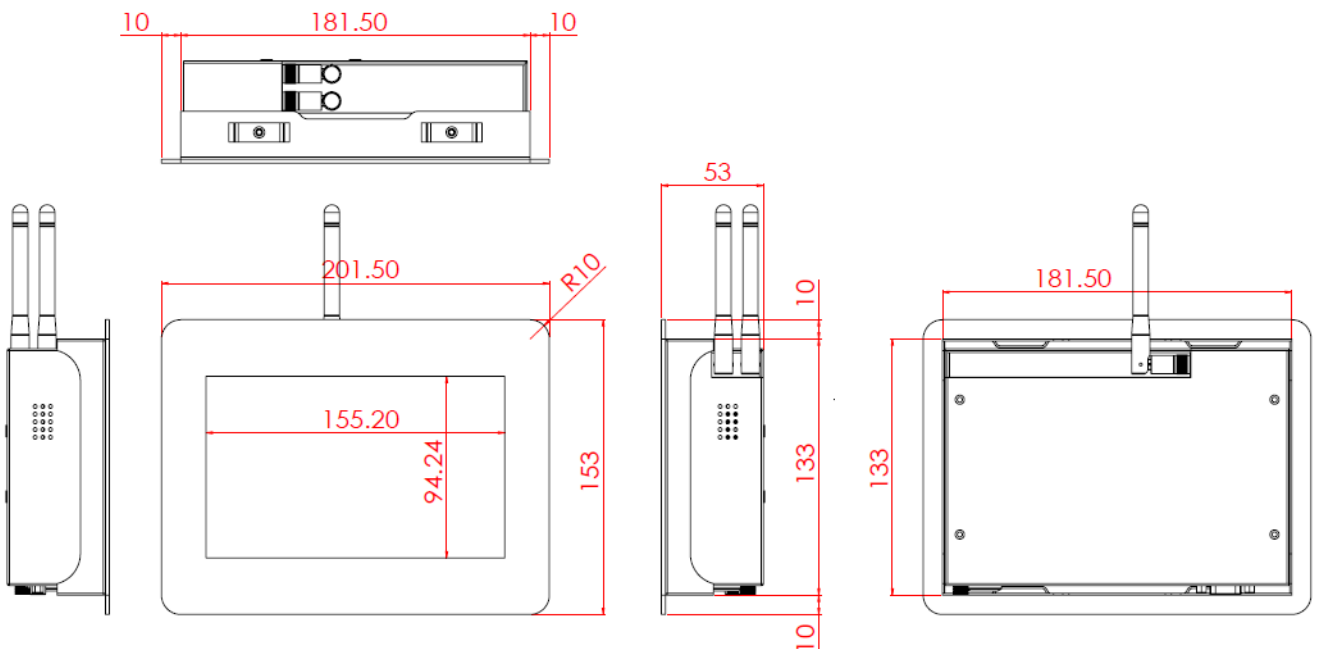
Mounting Plate (Option)

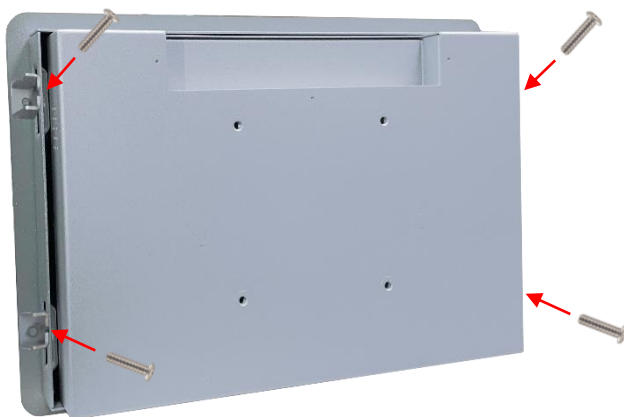
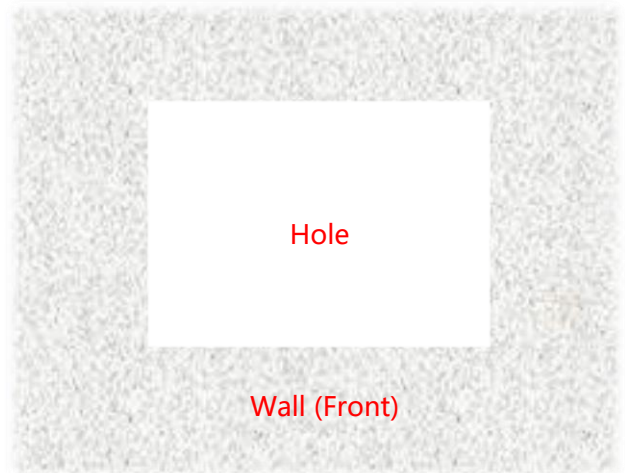
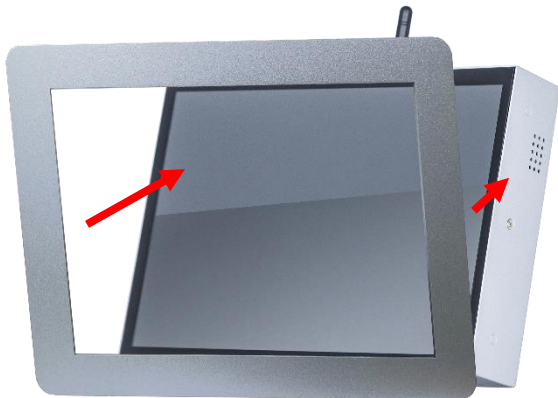


Open-frame Brackets (Option)



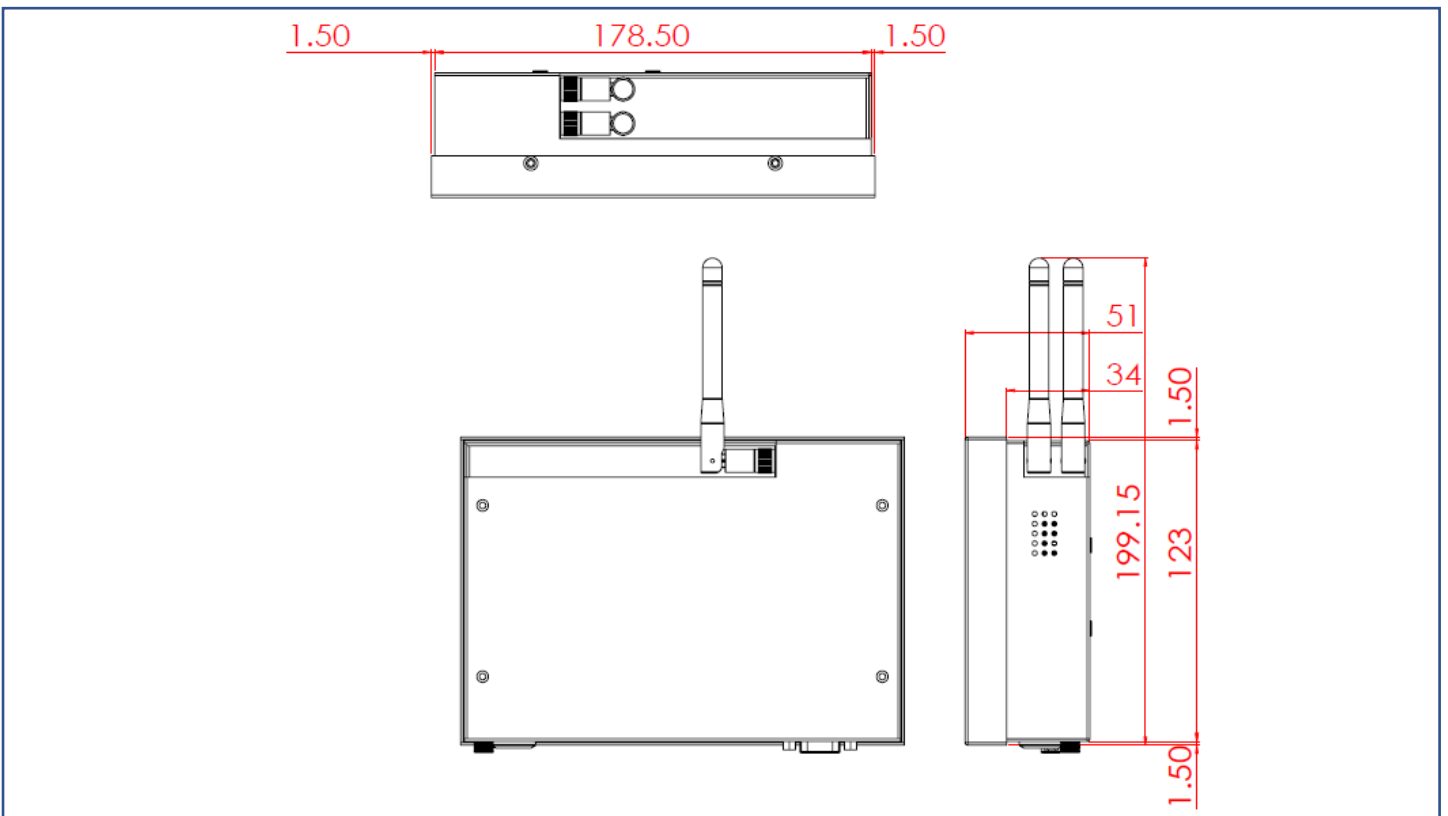
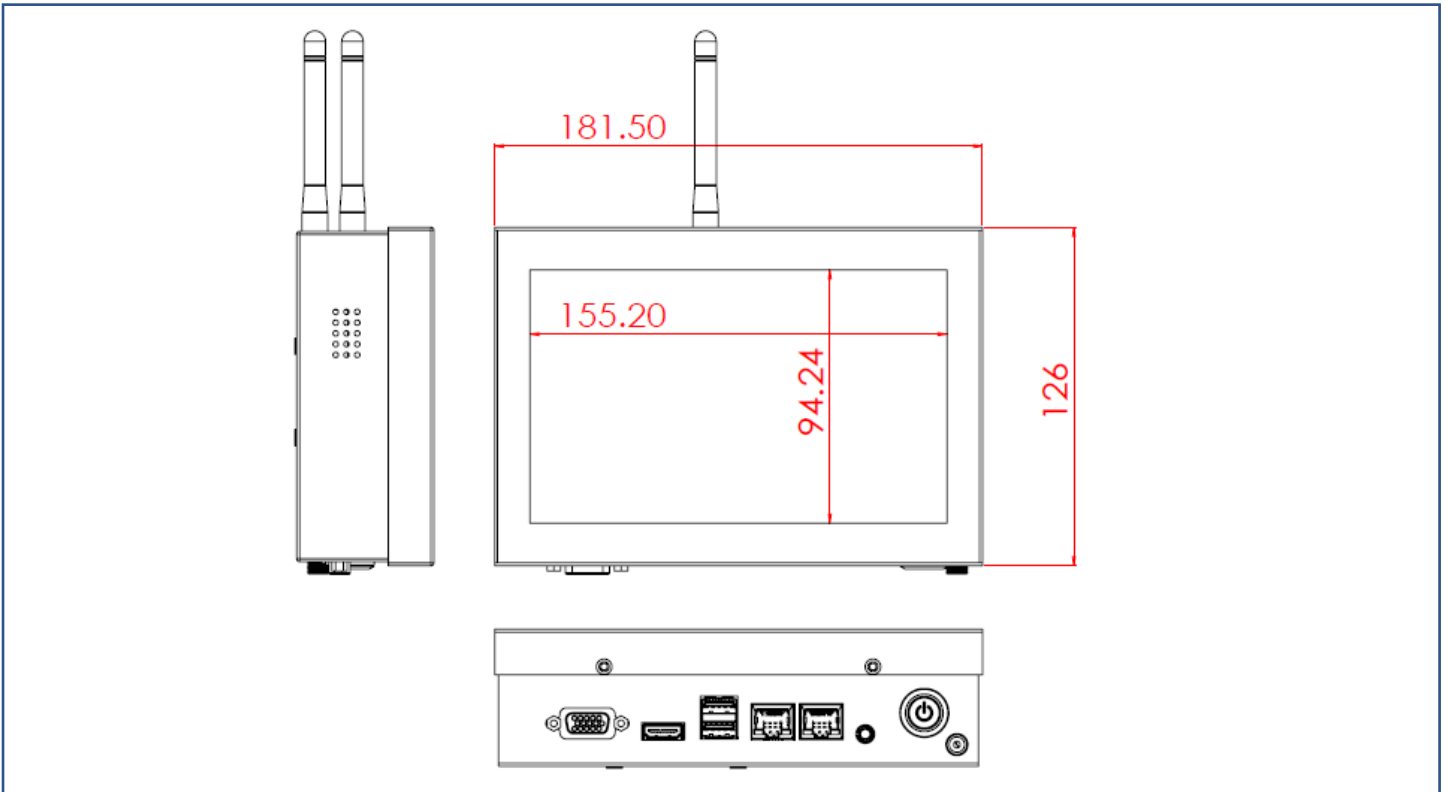
Panel Mount Kits (Option)





Physical Specifications

Dimension	182x126x51(±2)mm (W/O Antenna)	Net Weight	≤1.3 KG
-----------	--------------------------------	------------	---------



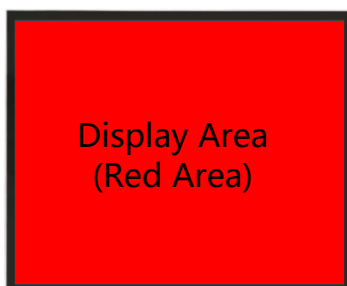
Cosmetic Inspection Standard

Display Area Allowance			
Defect description	Defective Specifications	Allowance	Remarks
Dot Defect (including dark dot, particles, bubbles, pits, dust, foreign matter)	$D \leq 0.2\text{mm}$	Ignored	D=Diameter
	$0.2 < D \leq 0.7\text{mm}$	$N \leq 5$	N=Quantity
	$0.7 < D \leq 1\text{mm}$	$N \leq 3$	
	$D > 1\text{mm}$	$N \leq 0$	
Linear Defect (including scratches, fluff, particles)	$W \leq 0.15\text{mm}$	Ignored	W=Width
	$0.15 < W \leq 0.5\text{mm}, L \leq 15\text{mm}$	$N \leq 2$	L=Length
	$W > 0.5\text{mm}$ or $L > 15\text{mm}$	NG	

* Visual inspection distance: 60cm, 90 degree (same for front/side/back)

Front Appearance Allowance (Including Coating)			
Defect description	Defective Specifications	Allowance	Remarks
Dot Defect (including particles, bubbles, pits...etc.)	$D \leq 0.7\text{mm}$	Ignored	D=Diameter
	$0.7 < D \leq 1.5\text{mm}$	$N \leq 3$	N=Quantity
	$D > 1.5\text{mm}$	$N \leq 0$	
Linear Defect (including scratches, fluff, particles)	$W \leq 0.2\text{mm}, L \leq 15\text{mm}$	Ignored	W=Width, L=Length
	$0.2 < W \leq 0.7\text{mm}, L \leq 15\text{mm}$	$N \leq 1$	
	$W > 0.7\text{mm}$ or $L > 15\text{mm}$	NG	

Side / Back Appearance Allowance (Including Coating)			
Defect description	Defective Specifications	Allowance	Remarks
Dot Defect (including particles, bubbles, pits...etc.)	$D \leq 1.5\text{mm}$	Ignored	D=Diameter
	$1.5 < D \leq 3\text{mm}$	$N \leq 8$	N=Quantity
	$D > 3\text{mm}$	$N \leq 2$	
Linear Defect (including scratches, fluff, particles)	$W \leq 0.8\text{mm}, L \leq 15\text{mm}$	Ignored	W=Width, L=Length
	$0.8 < W \leq 1.5\text{mm}, L \leq 15\text{mm}$	$N \leq 5$	
	$W > 1.5\text{mm}$ or $L > 15\text{mm}$	NG	



Display Area
(Red Area)



Front Appearance (Red Area)



Back Appearance