



# Product Specifications

<b>Customer</b>	
<b>Model</b>	<b>NTSP650-2 V400</b>



Records of Revision			
Vision	Modifying	Old Description	New Description
v2112.1	Preliminary Specifications		

## Features

- ★ 65 inch Industrial Grade Panel, 1920x1080 (FHD) Resolution
- ★ VA Wide Viewing Angel 178°/178°
- ★ 2500nits High Brightness
- ★ True Flat Projected Capacitive Touch Screen
- ★ 7H Hardness Tempered Cover Glass
- ★ 10 points Multi-touch , Supports Active Stylus
- ★ Metal Cabinet with Diverse Combine Options
- ★ Made in Taiwan, 3 Years Warranty, Designed for Harsh Environments
- ★ Optional Front IP65
- ★ Optional Software Remote Control by RS232
- ★ Optional Auto Dimming Function (with Light Sensor)



PSE



BSMI



RoHS



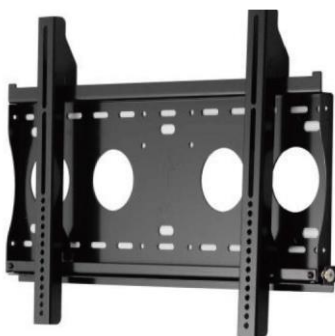
CE



ISO9001



FCC



Wall Mounting



Cart



KIOSK Cabinet

### Display Specifications

Model Name	NTSP650HP2GA-GG <u>XX</u> UF-400*	Display Mode	VA Type, Normally Black
Screen Diagonal	64.53 inch.	Response Time	8 msec.
Display Area	1428.4x803.5 mm	Backlight Unit	LED (white LED)
Resolution	1920x1080 (FHD)	Viewing Angle (L/R, U/D)	178°/178° (CR=10)
Contrast Ratio	4000:1	Backlight Lifetime	>60,000 Hours
Display Ratio	16:9	Operating Temp.	0~50°C
Support Colors	1073M Colors	Storage Temp.	-20~60°C
Pixel Pitch	0.744x0.744 mm	Surface Treatment	Anti-Reflection, QWP
Brightness	2500nits		

\* X = A~Z, 0~9 (Depends on options)

### Touch Specifications

Projected Capacitive			
Touch Technology	Projected Capacitive	Transparency	≥87%
Allowed Touch Points	10 points	Thickness of Cover Lens	2.9±0.2mm
Interface	USB	Hardness of Cover Lens	7H
Accuracy	99.00%	Surface Treatment	Anti-glare
IK Ratings	IK07		



\* True Flat, Bezel 1 mm



## General Options

Color of Cabinet		
	Description	Model Name
<b>Standard</b>	<b>Black</b>	<b>NTSP650HP2GA-GG<b>B</b>XUF-400</b>
Option 1	White	NTSP6550HP2GA-GG <b>A</b> XUF-400
Option 2	Silver	NTSP650HP2GA-GG <b>W</b> XUF-400
Options	Other Colors	NTSP650HP2GA-GG <b>X</b> XUF-400

\* **X** = A~Z, 0~9 (Depends on Color)

Material of Cabinet		
	Description	Model Name
<b>Standard</b>	<b>SECC</b>	<b>NTSP650HP2GA-GG<b>X</b><b>S</b>UF-400</b>
Option 1	Stainless Steel	NTSP650HP2GA-GG <b>X</b> <b>L</b> UF-400
Option 2	Aluminum	NTSP650HP2GA-GG <b>X</b> <b>A</b> UF-400

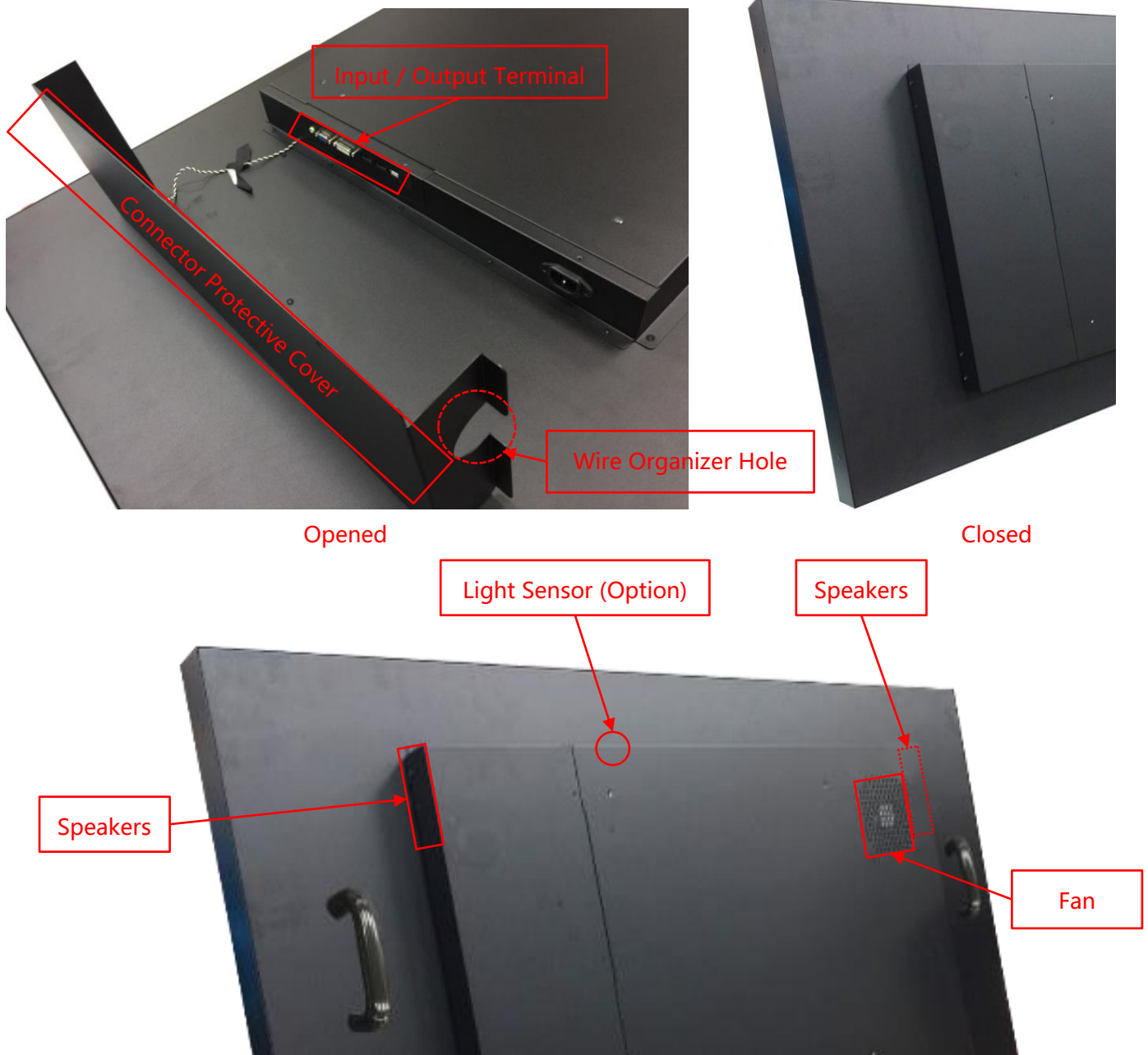
## Accessories

Item	Description	Quantity
HDMI Cable	<b>HDMI Male to Male, 1.8 Meter</b>	<b>1</b>
Power Cord	<b>*Country Specific</b>	<b>1</b>
USB Cable	<b>A type, Male to Male, 1.5 Meter*(only for touch monitor)</b>	<b>1</b>

## Supported OS

Windows	<b>Win7, Win8, Win10 ↑</b>
Linux	<b>Kernel 2.6.24 ↑</b>
Android	<b>3.0 ↑</b>
Mac	<b>10.5.x ↑ (Intel CPU)</b>

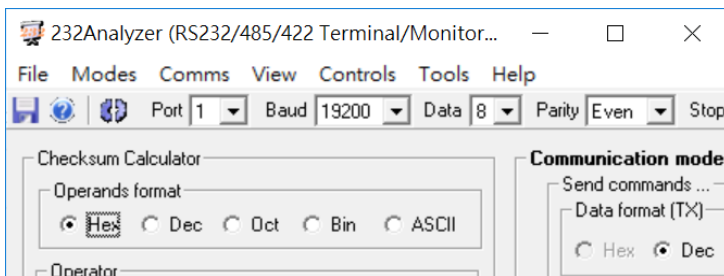
## Input /Output



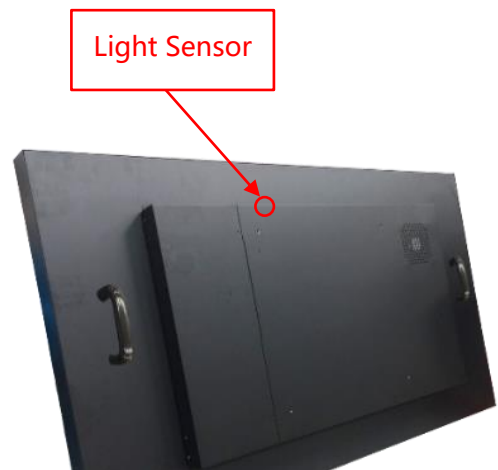
Input / Output	Connectors	Input / Output	Connectors
VGA Input	1	USB 2.0 Interface	1
HDMI Input	1	Speakers	10Wx2
DisplayPort Input	1	RS232	Option
Audio Input (3.5mm)	1	Light Sensor	Option
AC Power Input (C14)	1		

## Other Options

OSD Control		
	Item	Description
<b>Standard</b>	<b>Button</b>	<b>Rear Physical Button</b>
Option 1	Software Remote Control	Software Remote Control by RS232/Serial Port
Option 2	Auto Dimming	Auto Brightness Adjusting by Light Sensor



\* Software Remote



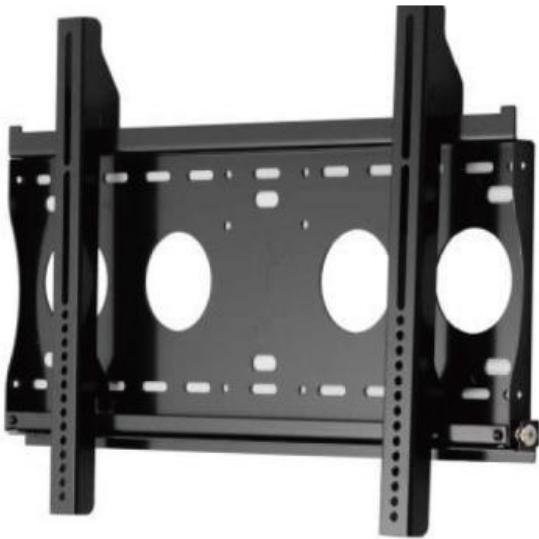
Active Stylus Option	
Technology	Active Capacitive Coupled
Working Frequencies	90~250 KHZ
Pressure Level	256~1024 Levels
Side Buttons	2 Side Buttons (Eraser, Barrel)
Active Tip Force	5~25g
Max. Tip Force	400g



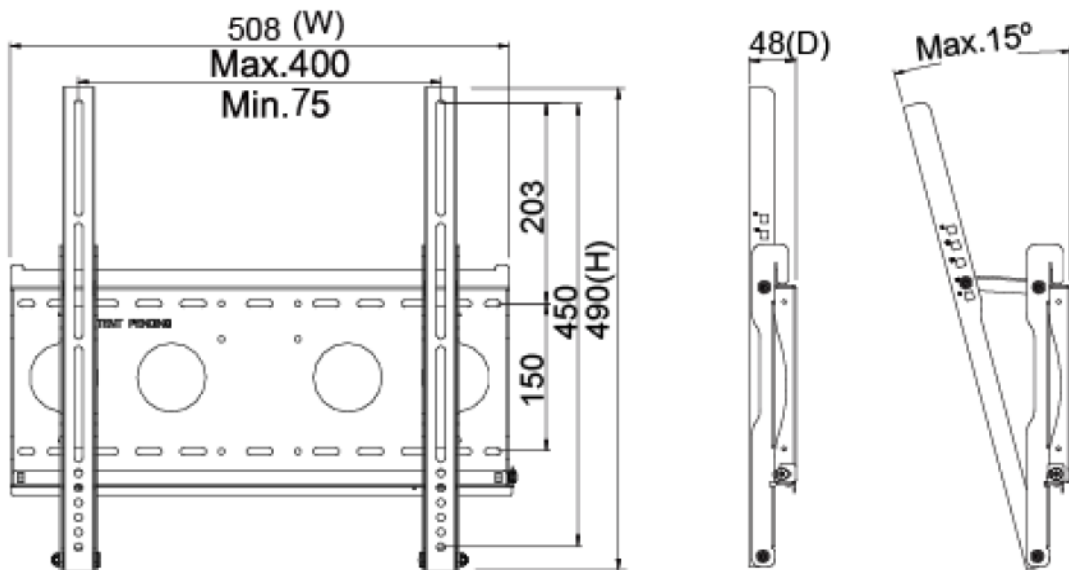
## Penholder (Option)



## Wall Mount Bracket (Option)



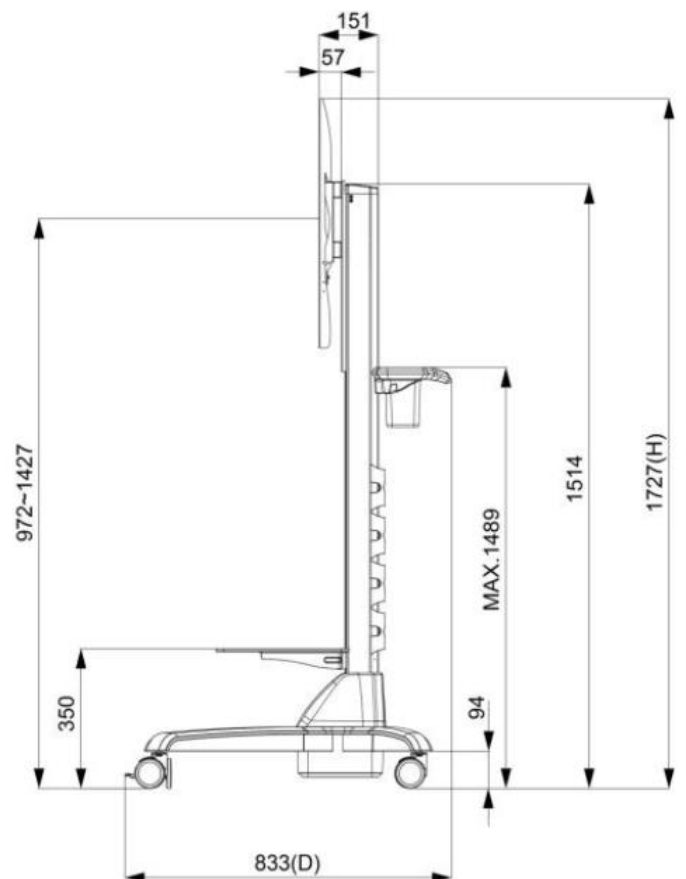
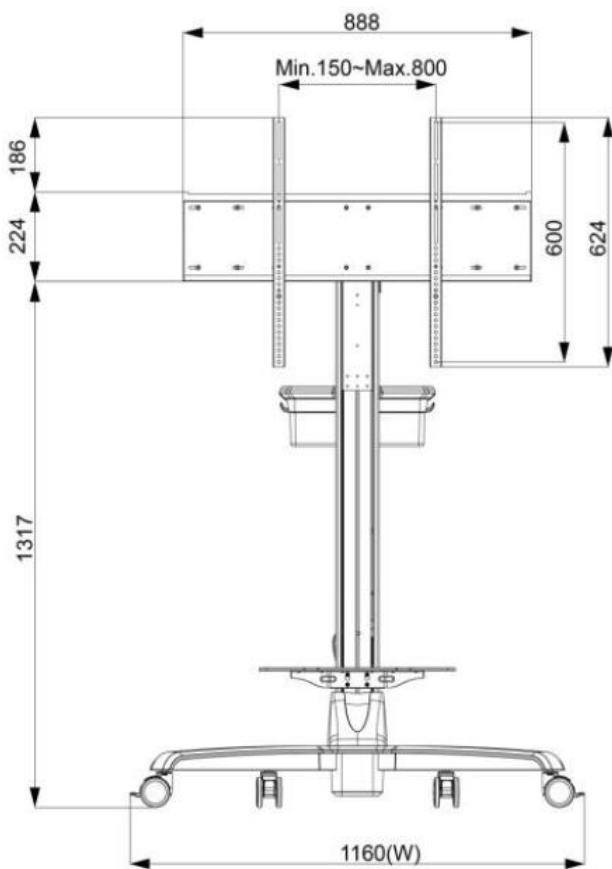
Part No.	WMB-B001		
Mounting Pattern	Max. 400x450 mm	Dimension (WxHxD)	508x490x48 mm
Material	SECC	Net Weight	4.01 KG
Tilt (Hinge)	0°/5°/10°/13°/15°	Support Max. Weight	80 KG
Screw Type	M4/M5/M6/M8	Min. Distance to The Wall	48 mm



### Cart (Option)



Net Weight	28.4 KG
Power System	AC 200~240V 50/60Hz
User Interface	Button (up/down)
Packaged Dimension	W1160xD833xH1727 mm
Screw Type	M4/M5/M6/M8
Material	Aluminum/Plastic/Steel
Max. Mount Pattern	800x600mm
Max. Weight Load	80 KG
Caster	4 (front 2 braking)
Height Adjust Range	455 mm
RoHS/REACH	Yes





**KIOSK Cabinet (Option)**

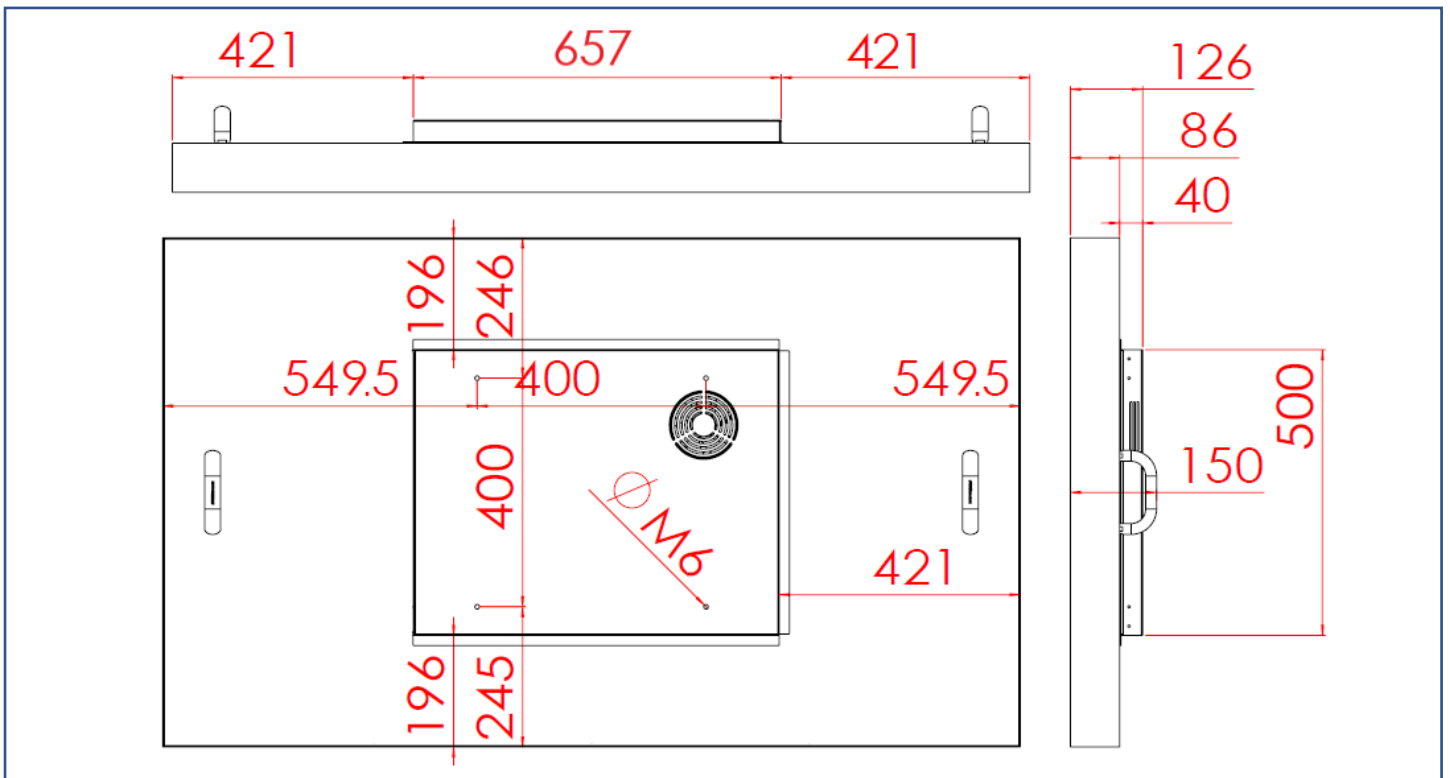
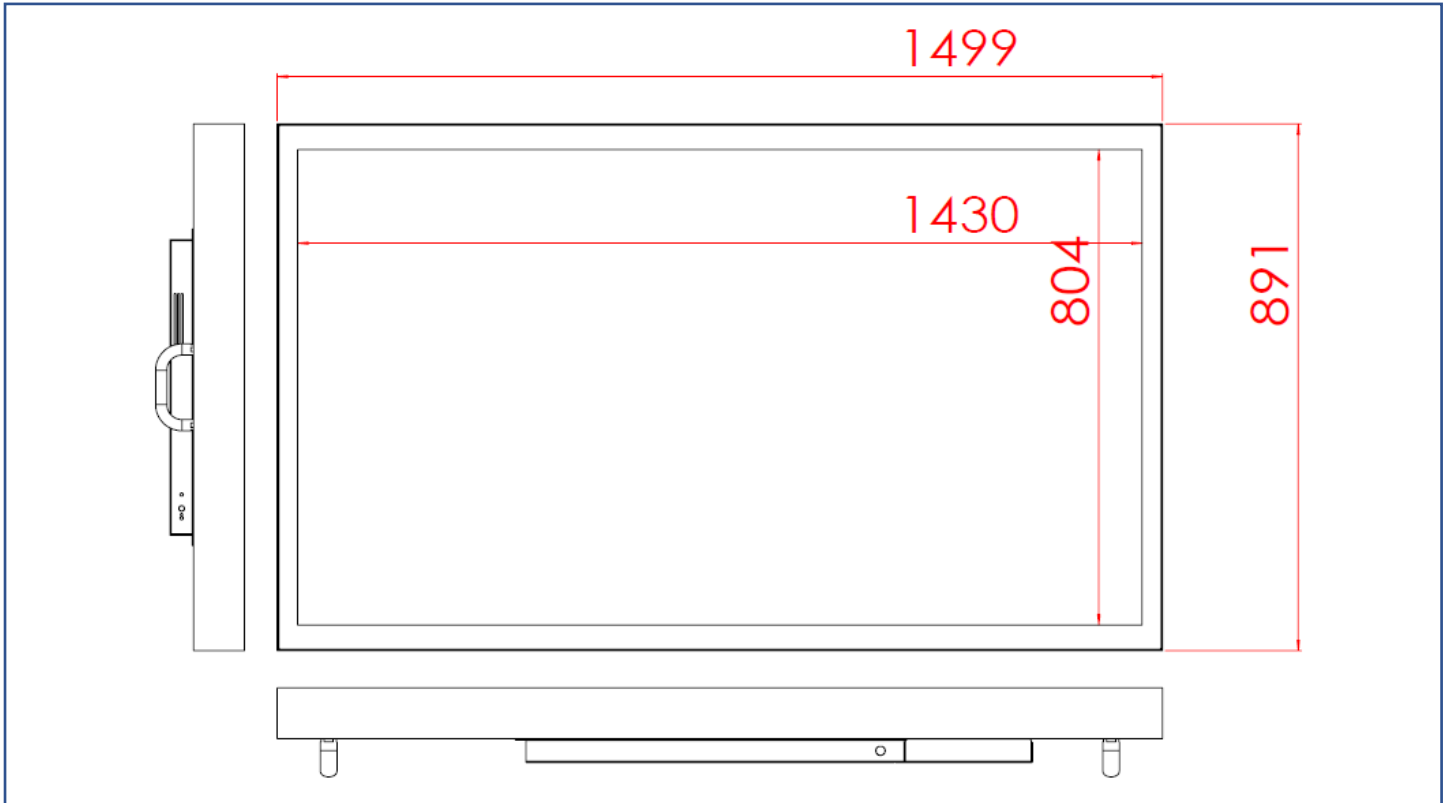


Material	SECC
Caster	4 (front 2 braking)
Ingress Protection	Front IP65
Power Socket	None (Wire Hole Reserved)



## Physical Specifications

Dimension (Max)	<b>1499x891x126(±2)mm</b>	Net Weight	≦ <b>51.0 KG</b>
VESA Mounting	<b>400x400 mm</b>	Gross Weight	≦ <b>62.1 KG</b>



## Packing Information



Dimensions of Carton	<b>168x111x36 CM</b>
Net Weight	<b>≤ 51.0 KG</b>
Gross Weight	<b>≤ 62.1 KG</b>