



Product Specifications

Customer	
Model	NTSP550-2 V500



Records of Revision			
Vision	Modifying	Old Description	New Description
v2112.1	Preliminary Specifications		

Features

- ★ 55 inch Industrial Grade Panel, 4K (UHD) Resolution
- ★ VA Technology, Wide Viewing Angle (178°/178°)
- ★ 700nits High Brightness
- ★ True Flat Projected Capacitive Touch Screen
- ★ 7H Hardness Tempered Cover Glass
- ★ 10 points Multi-touch , Supports Active Stylus
- ★ Metal Cabinet with Diverse Combine Options
- ★ Made in Taiwan, 3 Years Warranty
- ★ Optional Front IP65
- ★ Optional Software Remote Control by RS232
- ★ Optional Auto Dimming Function (with Light Sensor)



PSE



BSMI



RoHS



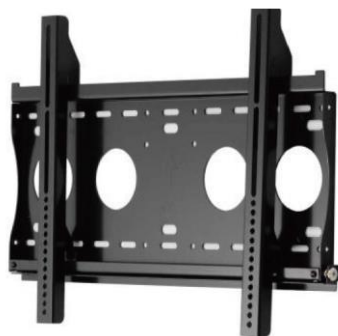
CE



ISO9001



FCC



Wall Mounting



Cart



KIOSK Cabinet

Display Specifications

Model Name	NTSP550HP29A-GG<u>XX</u><u>UX</u>-500*	Display Mode	VA Type, Normally Black
Screen Diagonal	55 inch.	Response Time	8.5 msec.
Display Area	1209.6x680.4 mm	Backlight Unit	LED (white LED)
Resolution	3840x2160 (UHD)	Viewing Angle (L/R, U/D)	178°/178° (CR=10)
Contrast Ratio	4000:1	Backlight Lifetime	>50,000 Hours
Display Ratio	16:9	Operating Temp.	0~50°C
Support Colors	1073M Colors	Storage Temp.	-20~60°C
Pixel Pitch	0.315x0.315 mm	Surface Treatment	Anti-glare, Hardness 3H
Brightness	700nits		

* X = A~Z, 0~9 (Depends on options)

Touch Specifications

Projected Capacitive			
Touch Technology	Projected Capacitive	Transparency	≥87%
Allowed Touch Points	10 points	Thickness of Cover Lens	2.9±0.2mm
Interface	USB	Hardness of Cover Lens	7H
Accuracy	99.00%	Surface Treatment	Anti-glare
IK Ratings	IK07		





General Options

Color of Cabinet		
	Description	Model Name
Standard	Black	NTSP550HP29A-GG<u>B</u>X<u>U</u>X-500
Option 1	White	NTSP550HP29A-GG <u>W</u> X <u>U</u> X-500
Option 2	Silver	NTSP550HP29A-GG <u>S</u> X <u>U</u> X-500
Options	Other Colors	NTSP550HP29A-GG <u>X</u> X <u>U</u> X-500

* X = A~Z, 0~9 (Depends on Color)

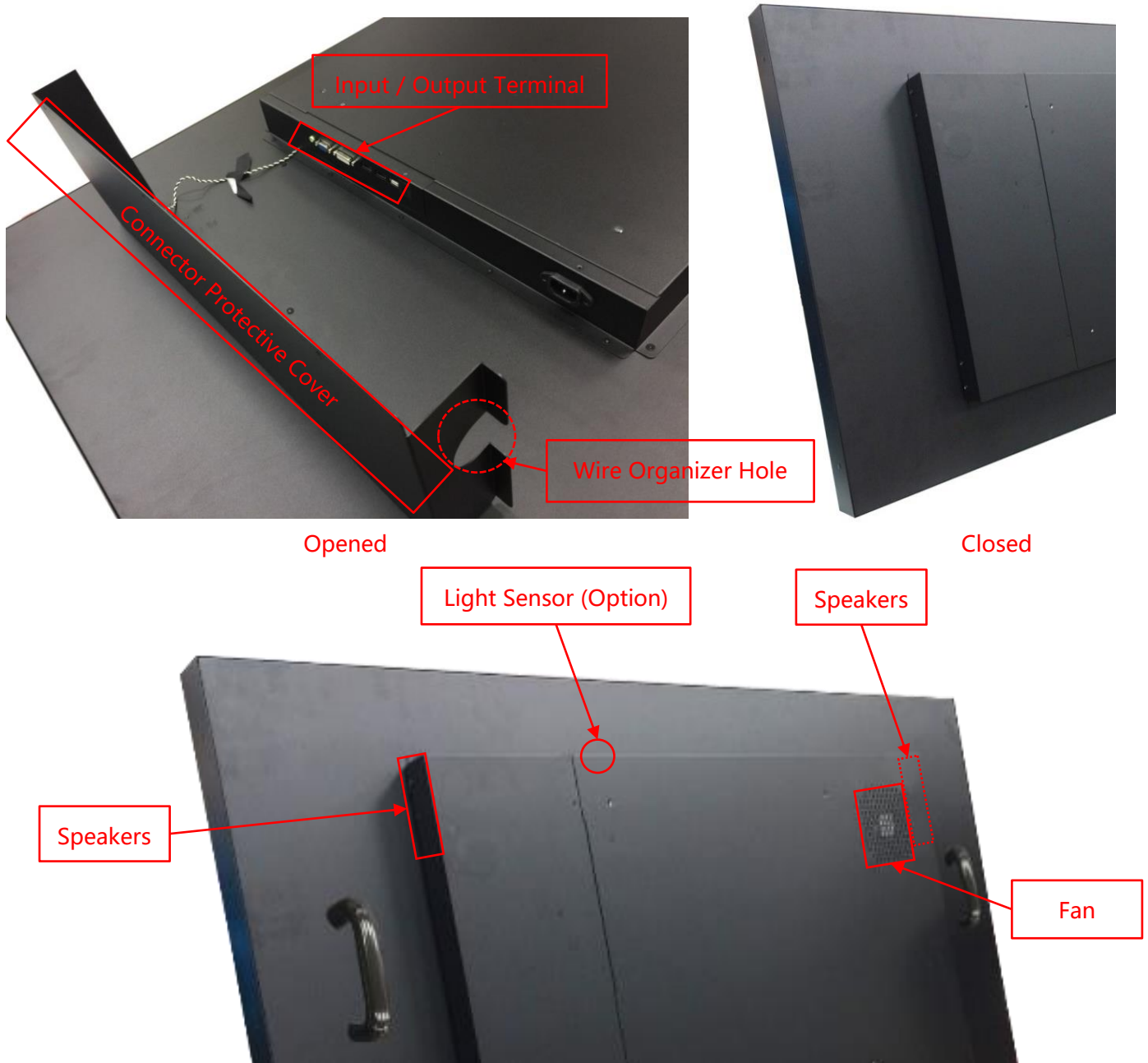
Material of Cabinet		
	Description	Model Name
Standard	SECC	NTSP550HP29A-GG<u>X</u><u>S</u><u>U</u>X-500
Option 1	Stainless Steel	NTSP550HP29A-GG <u>X</u> <u>L</u> <u>U</u> X-500
Option 2	Aluminum	NTSP550HP29A-GG <u>X</u> <u>A</u> <u>U</u> X-500

Cooling Fan		
	Description	Model Name
Standard	Fanless	NTSP550HP29A-GG<u>X</u><u>X</u><u>U</u><u>0</u>-500
Option	7 Blades/12V/1200r.p.m/25dB	NTSP550HP29A-GG <u>X</u> <u>X</u> <u>U</u> <u>F</u> -500

Accessories

Item	Description	Quantity
HDMI Cable	HDMI Male to Male, 1.8 Meter	1
Power Cord	*Country Specific	1
USB Cable	A type, Male to Male, 1.5 Meter*	1

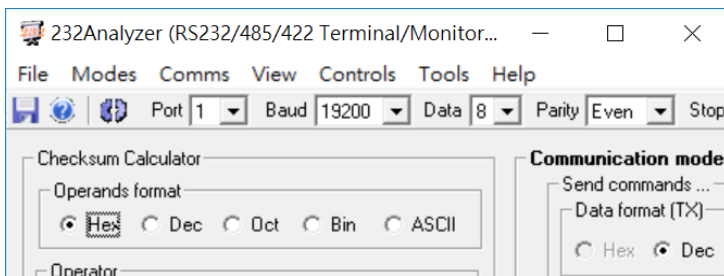
Input /Output



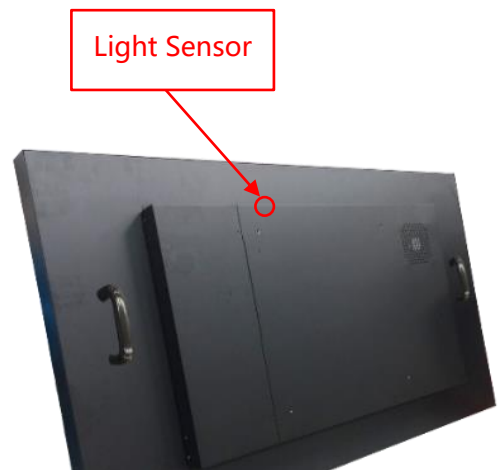
Input / Output	Connectors	Input / Output	Connectors
HDMI Input	2	USB 2.0 Interface	1
VGA Input	1	RS232	Option
DisplayPort Input	2	Speakers	10Wx2
Audio Input (3.5mm)	1	Light Sensor	Option
AC Power Input (C14)	1		

Other Options

OSD Control		
	Item	Description
Standard	Button	Rear Physical Button
Option 1	Software Remote Control	Software Remote Control by RS232/Serial Port
Option 2	Auto Dimming	Auto Brightness Adjusting by Light Sensor



* Software Remote



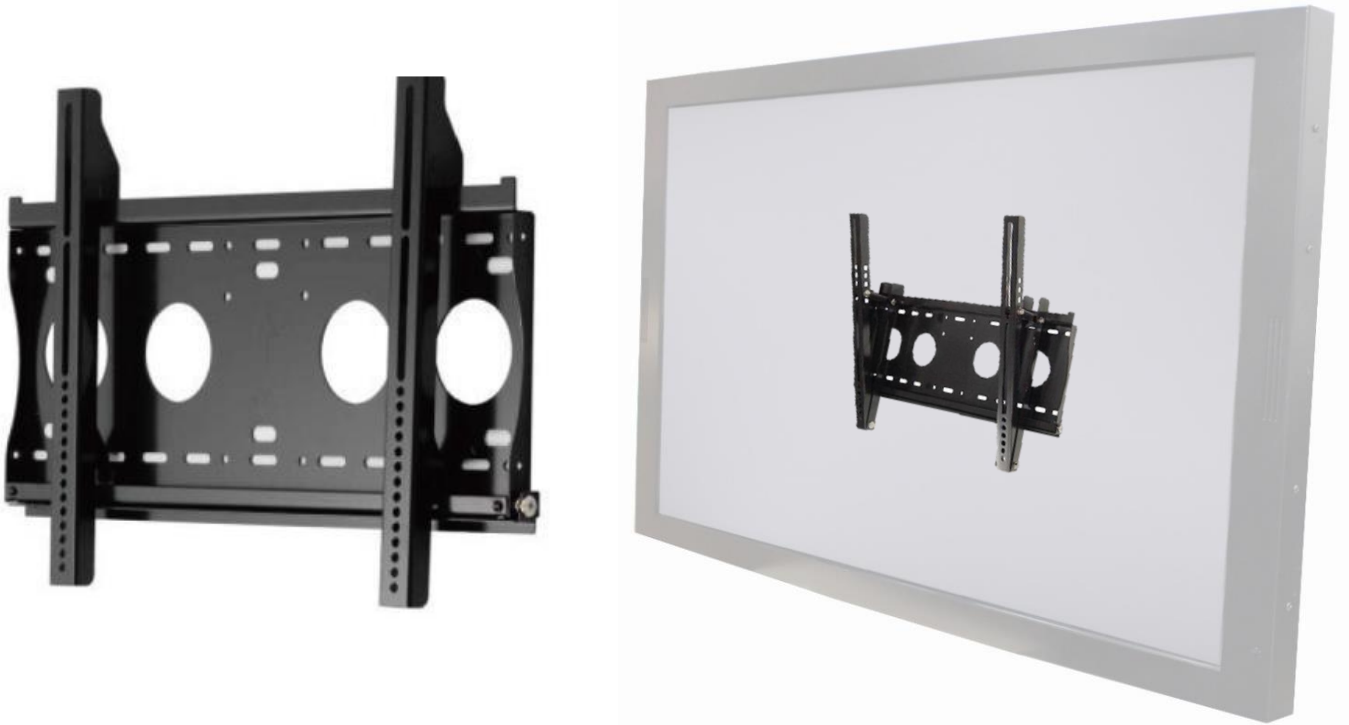
Active Stylus Option	
Technology	Active Capacitive Coupled
Working Frequencies	90~250 KHZ
Pressure Level	256~1024 Levels
Side Buttons	2 Side Buttons (Eraser, Barrel)
Active Tip Force	5~25g
Max. Tip Force	400g



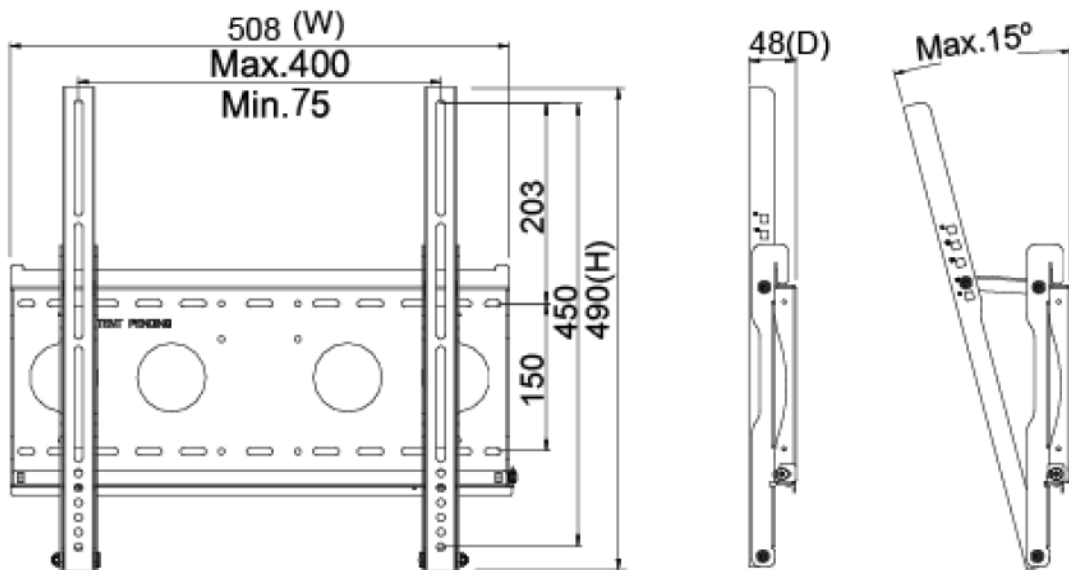
Penholder (Option)



Wall Mount Bracket (Option)



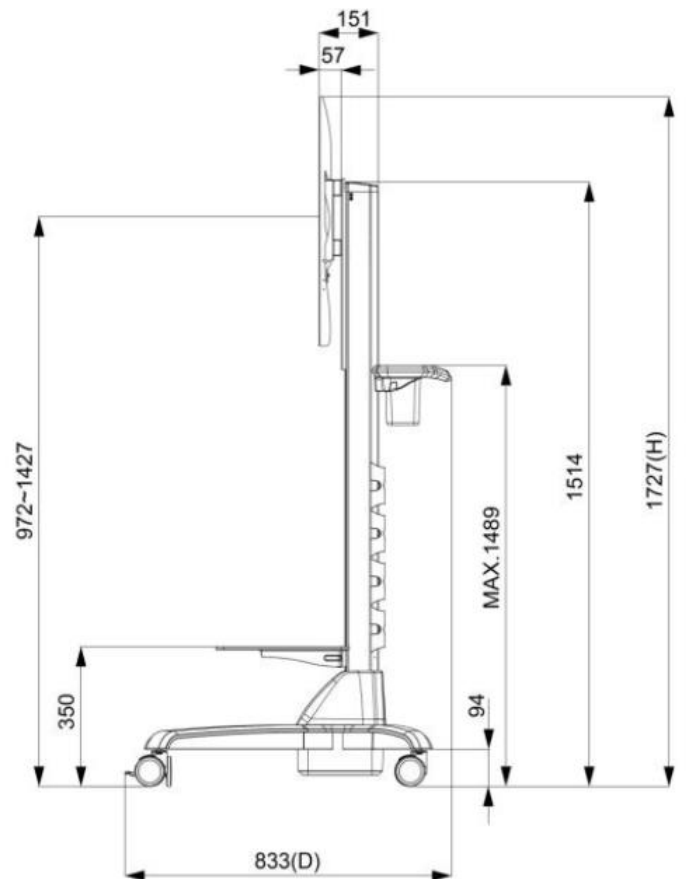
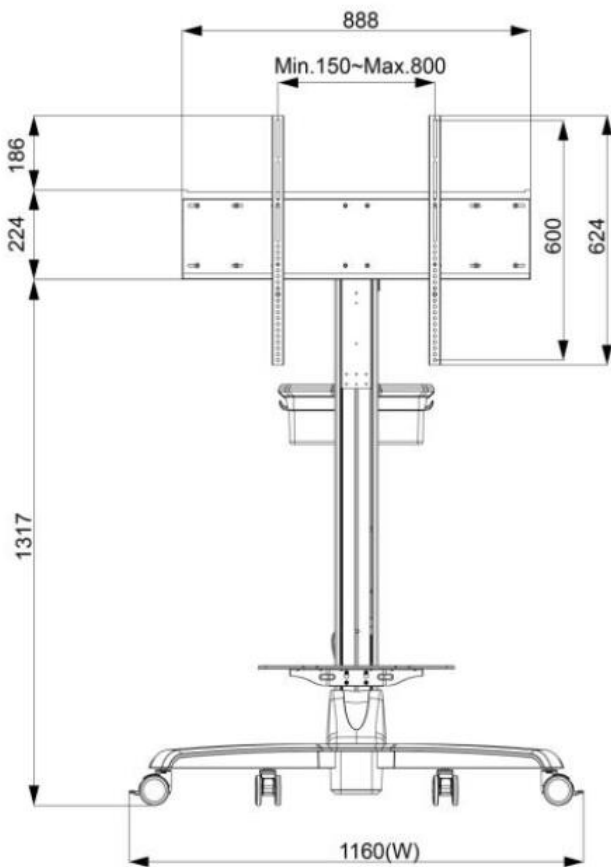
Part No.	WMB-B001		
Mounting Pattern	Max. 400x450 mm	Dimension (WxHxD)	508x490x48 mm
Material	SECC	Net Weight	4.01 KG
Tilt (Hinge)	0°/5°/10°/13°/15°	Support Max. Weight	80 KG
Screw Type	M4/M5/M6/M8	Min. Distance to The Wall	48 mm



Cart (Option)



Net Weight	28.4 KG
Power System	AC 200~240V 50/60Hz
User Interface	Button (up/down)
Packaged Dimension	W1160xD833xH1727 mm
Screw Type	M4/M5/M6/M8
Material	Aluminum/Plastic/Steel
Max. Mount Pattern	800x600mm
Max. Weight Load	80 KG
Caster	4 (front 2 braking)
Height Adjust Range	455 mm
RoHS/REACH	Yes



KIOSK Cabinet (Option)

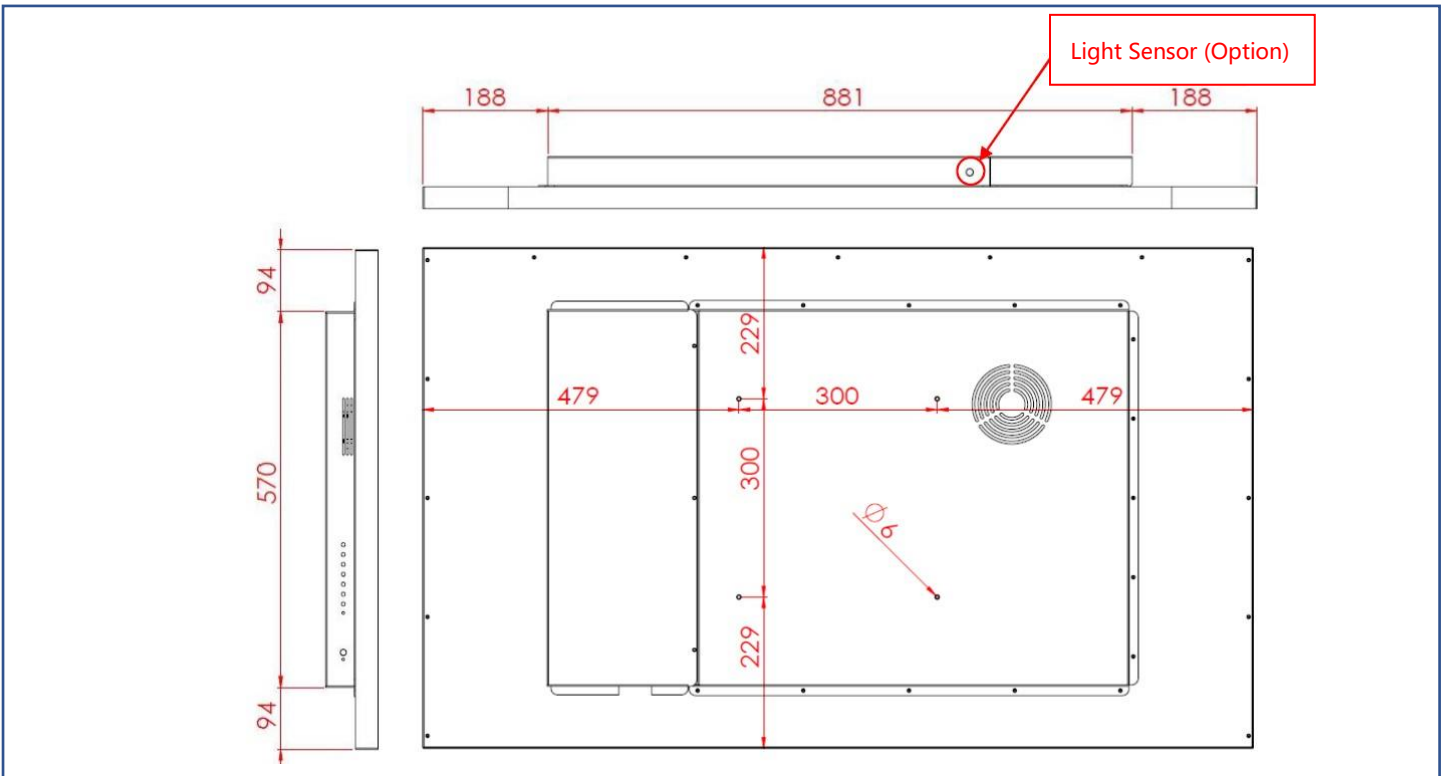
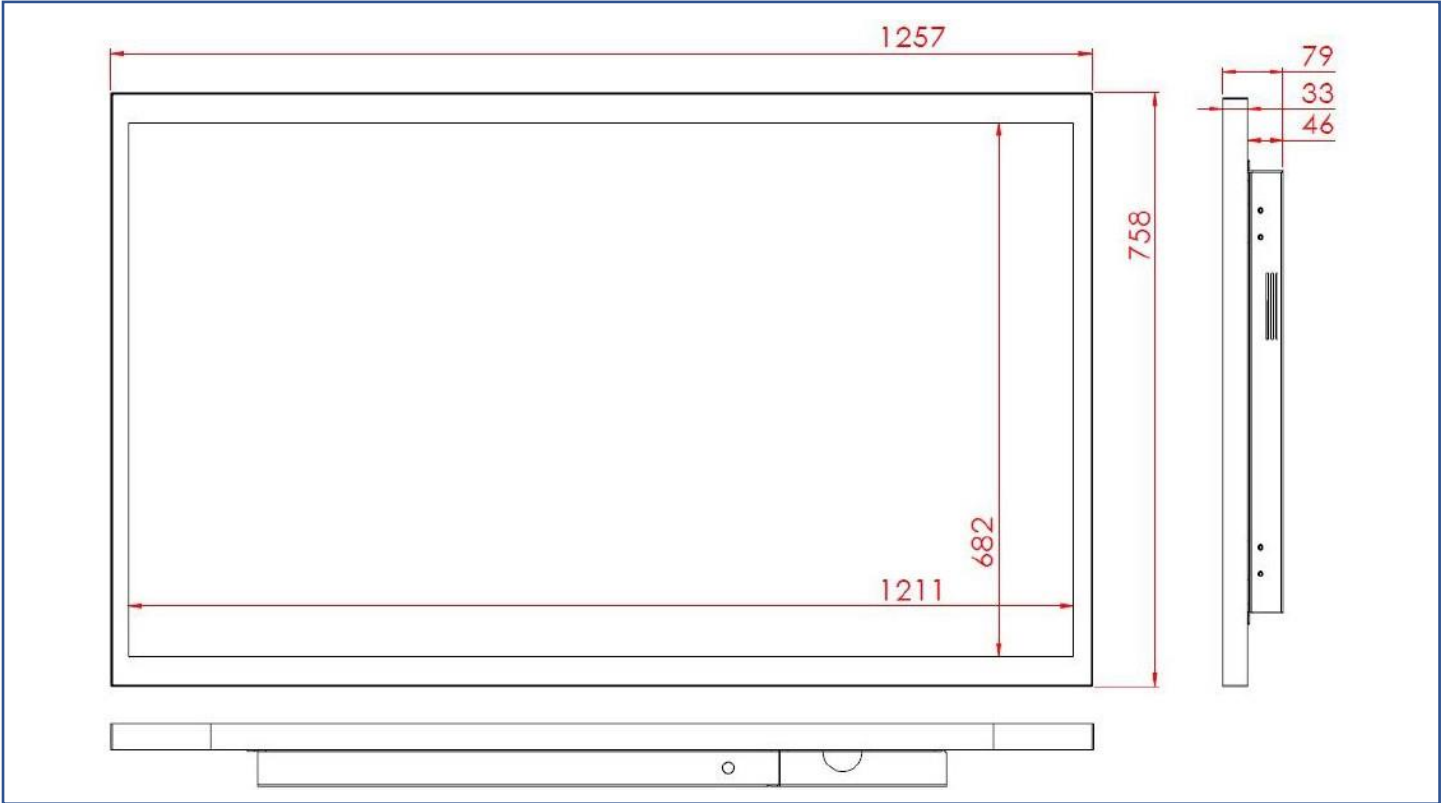


Material	SECC
Caster	4 (front 2 braking)
Ingress Protection	Front IP65
Power Socket	None (Wire Hole Reserved)



Physical Specifications

Dimension (Max)	1257x758x79(±2)mm	Net Weight	≤38 KG
VESA Mounting	300x300 mm	Gross Weight	≤45 KG



Packing Information



Dimensions of Carton	153x96x23 CM
Net Weight	≤38 KG
Gross Weight	≤45 KG