

Product Specifications

Customer	
Model	NTSP550-1 V600



Records of Revision			
Vision	Modifying	Old Description	New Description
v2307.1	Preliminary Specifications		
v2307.2	New trademark released		

Features

- ★ 55 inch Panel, 4K (UHD) Resolution
- ★ VA Technology, Wide Viewing Angle (178°/178°)
- ★ True Flat Projected Capacitive Touch Screen
- ★ Anti-Glare Coating, 7H Hardness Tempered Cover Glass
- ★ 10 points Multi-touch , Supports NEXTECH Stylus.
- ★ Metal Cabinet with Diverse Combine Options
- ★ Made in Taiwan, 3 Years Warranty
- ★ Optional Software Remote Control by RS232
- ★ Optional High Brightness 700nits
- ★ Optional Auto Dimming Function (with Light Sensor)



PSE



BSMI



RoHS



CE



ISO9001



FCC



Wall Mounting



Cart



KIOSK Cabinet

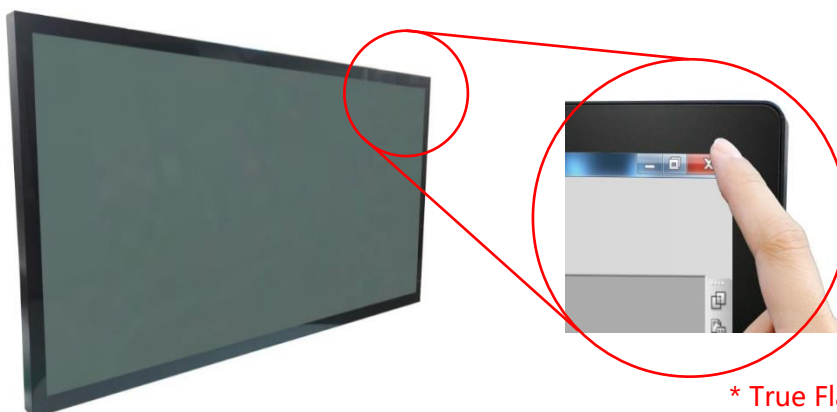
Display Specifications

Model Name	NTSP550XPS9A-GGXXUX-600*	Display Mode	VA Type, Normally Black
Screen Diagonal	55 inch	Response Time	8.5 msec.
Display Area	1209.6x680.4 mm	Backlight Unit	LED (white LED)
Resolution	3840x2160 (UHD)	Viewing Angle (L/R, U/D)	178°/178° (CR=10)
Contrast Ratio	4000:1	Backlight Lifetime	>50,000 Hours
Display Ratio	16:9	Operating Temp.	0~50°C
Support Colors	1070M Colors	Storage Temp.	-20~60°C
Pixel Pitch	0.315x0.315 mm		

* X = A~Z, 0~9 (Depends on options)

Touch Specifications

Projected Capacitive			
Touch Technology	Projected Capacitive	Transparency	≥87%
Allowed Touch Points	10 points	Thickness of Cover Lens	2.9±0.2mm
Interface	USB	Hardness of Cover Lens	7H
Accuracy	99.00%	Surface Treatment	Anti-glare
IK Ratings	IK07		



* True Flat, Bezel 1 mm

General Options

Brightness			
	Brightness	Environment	Model Name
Standard	500nits	General	NTSP550<u>N</u>PS9A-GG<u>X</u>X<u>U</u>X-600
Option	700nits	Outdoor Environment	NTSP550 <u>H</u> P <u>2</u> 9A-GG <u>X</u> X <u>U</u> F-600

* Check the data sheet NTSP550-2 V500

Color of Cabinet		
	Description	Model Name
Standard	Black	NTSP550<u>X</u>PS9A-GG<u>B</u>X<u>U</u>X-600
Option 1	White	NTSP550 <u>X</u> PS9A-GG <u>W</u> X <u>U</u> X-600
Option 2	Silver	NTSP550 <u>X</u> PS9A-GG <u>S</u> X <u>U</u> X-600
Options	Other Color	NTSP550 <u>X</u> PS9A-GG <u>X</u> X <u>U</u> X-600

* X = A~Z, 0~9 (Depends on Color)

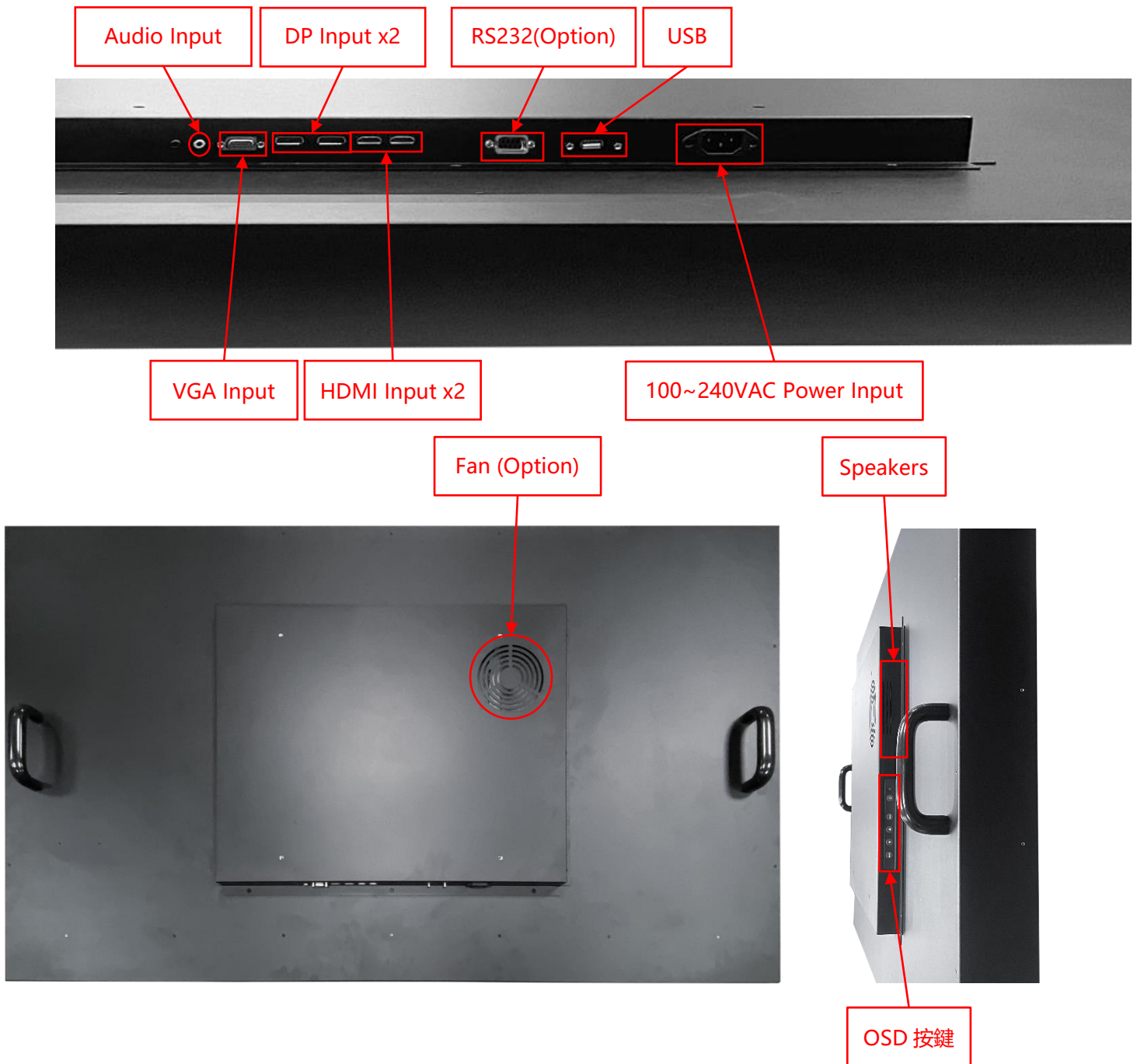
Material of Cabinet		
	Description	Model Name
Standard	Galvanized steel (SECC)	NTSP550<u>X</u>PS9A-GG<u>X</u><u>S</u><u>U</u>X-600
Option 1	Stainless Steel	NTSP550 <u>X</u> PS9A-GG <u>X</u> <u>L</u> <u>U</u> X-600
Option 2	Aluminum	NTSP550 <u>X</u> PS9A-GG <u>X</u> <u>A</u> <u>U</u> X-600

Cooling Fan		
	Description	Model Name
Standard	Fanless	NTSP550<u>X</u>PS9A-GG<u>X</u>X<u>U</u><u>0</u>-600
Option	7 Blades/12V/1200r.p.m/25dB	NTSP550 <u>X</u> PS9A-GG <u>X</u> X <u>U</u> <u>F</u> -600

Accessories

Item	Description	Quantity
HDMI Cable	HDMI Male to Male, 1.8 Meter	1
Power Cord	*Country Specific	1
USB Cable	A type, Male to Male, 1.5 Meter*(Touch Type Only)	1

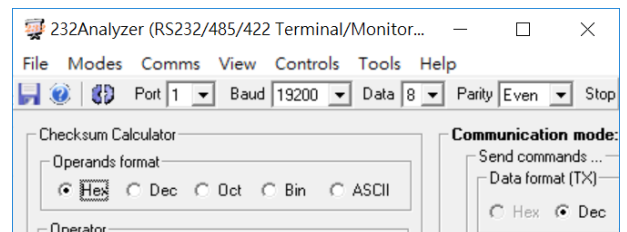
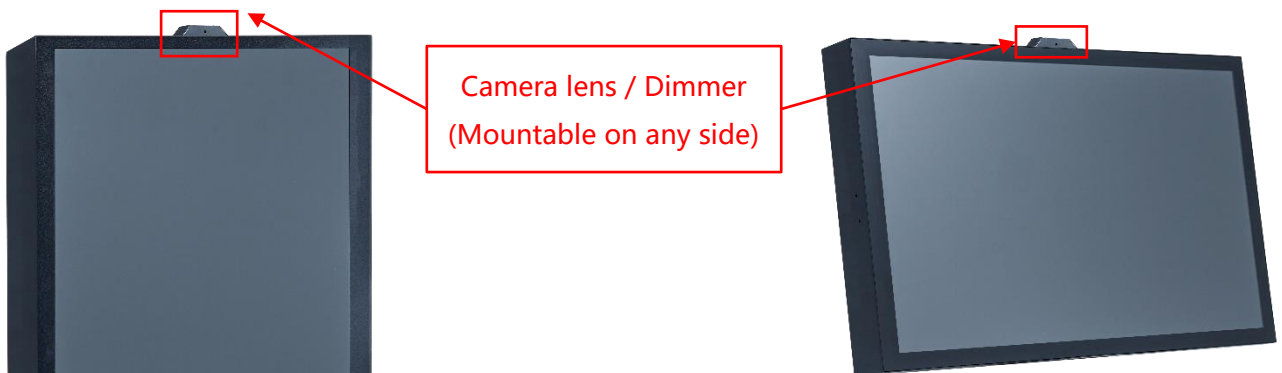
Input /Output



Input / Output	Amount	Input / Output	Amount
HDMI Input	2	USB 2.0 Interface	1
VGA Input	1	RS232	Option
DisplayPort Input	2	Speakers	10Wx2
Audio Input (3.5mm)	1	Light Sensor	Option
AC Power Input (C14)	1	External Camera Lens	Option

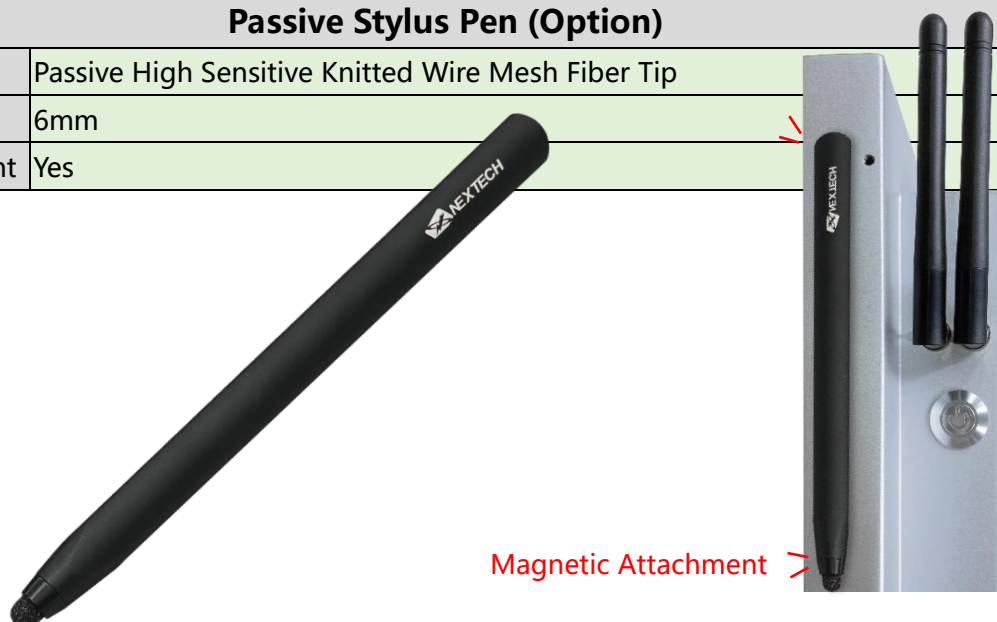
Other Options

OSD Control		
	Item	Description
Standard	Button	Rear Physical Button
Option	Software Remote Control	Software Remote Control by RS232/Serial Port
Option	Auto Dimming	Auto Brightness Adjusting by Light Sensor
Option	Camera lens	12 million pixels, maximum resolution of 3840x3104.
Option	Stylus pen	Specifications are as follows in the table.

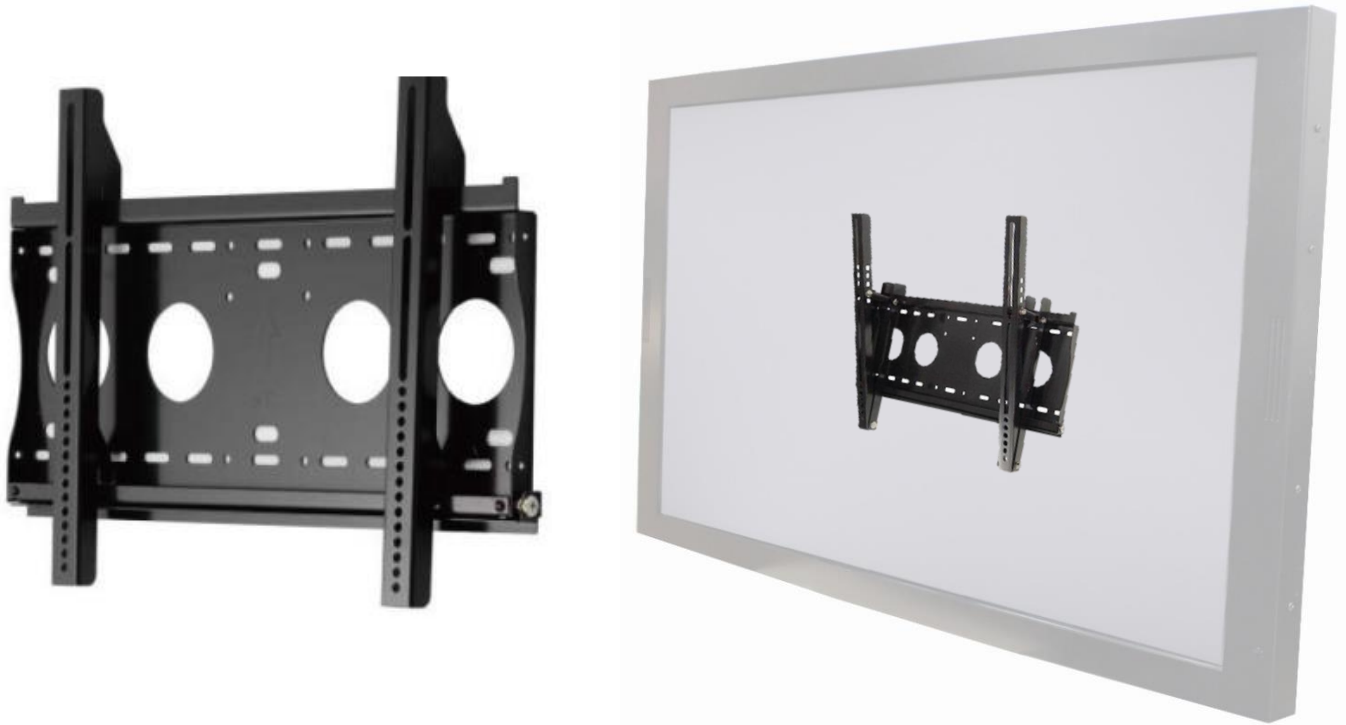


* Software Remote

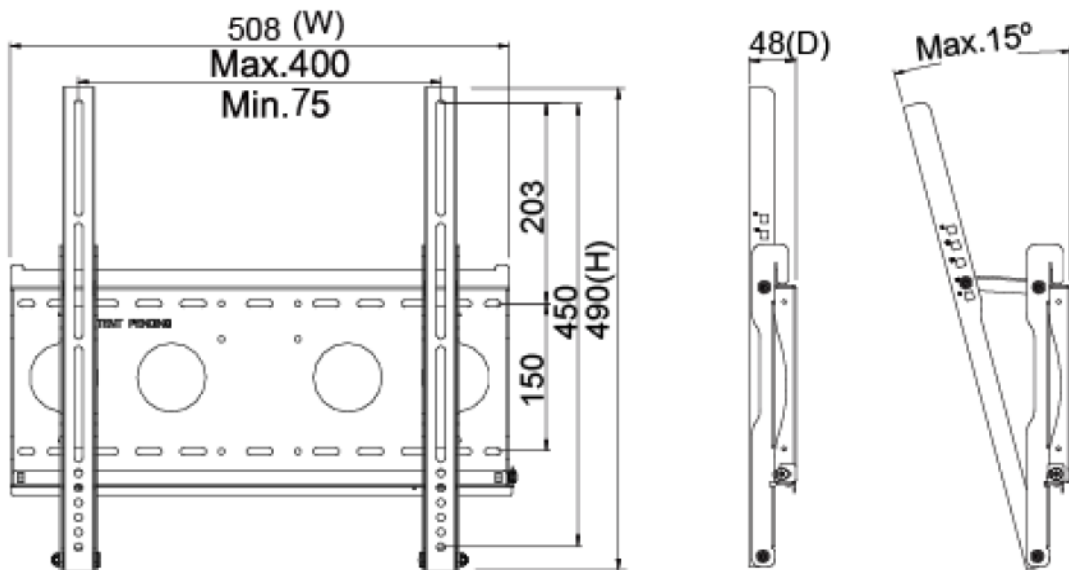
Passive Stylus Pen (Option)	
Technology	Passive High Sensitive Knitted Wire Mesh Fiber Tip
Size of tip	6mm
Magnetic Attachment	Yes



Wall Mount Bracket (Option)



Part No.	WMB-B001	Mounting Pattern	Max. 400x450 mm	Material	SECC	Mounting Pattern	Max. 400x450 mm	Material	SECC
Tilt (Hinge)	0°/5°/10°/13°/15°	Screw Type	M4/M5/M6/M8	Tilt (Hinge)	0°/5°/10°/13°/15°	Screw Type	M4/M5/M6/M8		



KIOSK Cabinet (Option)

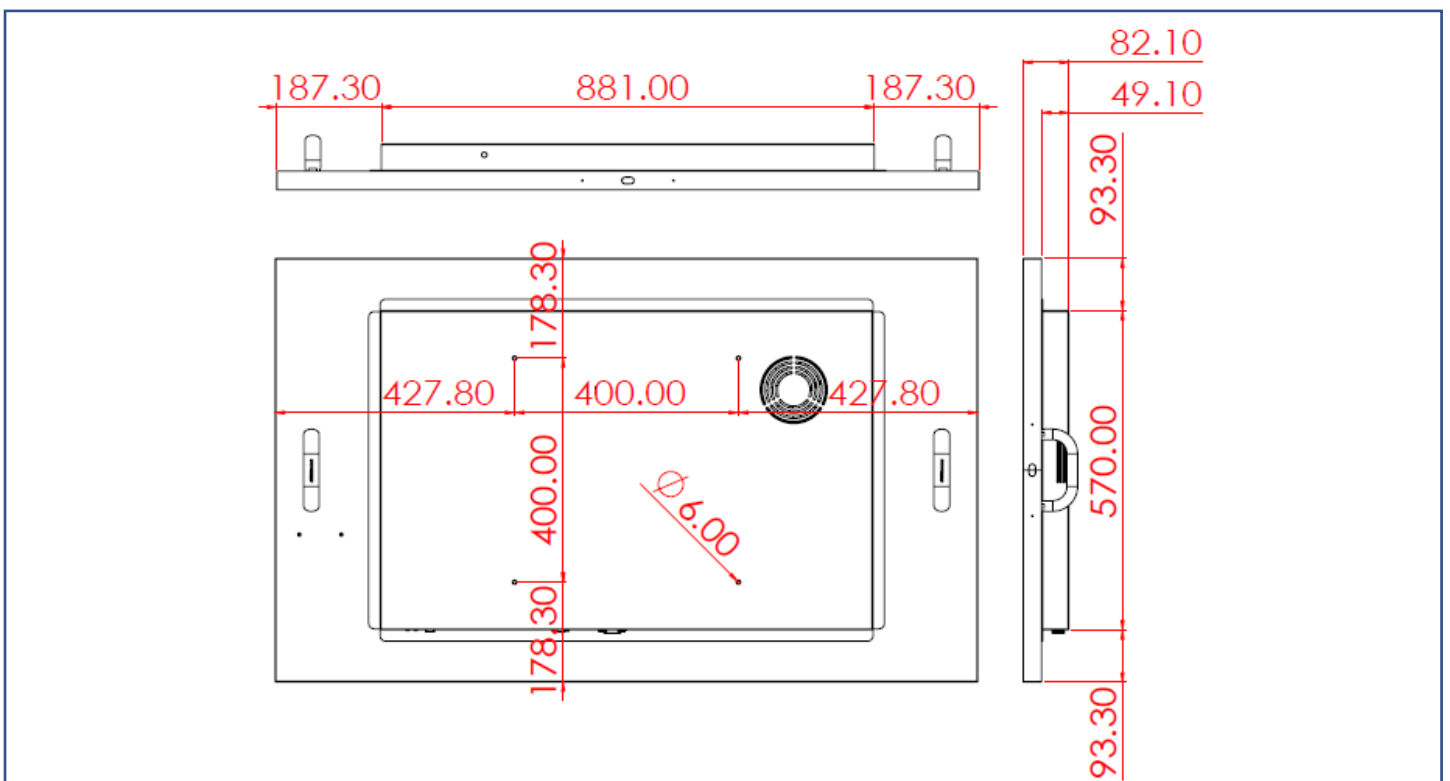
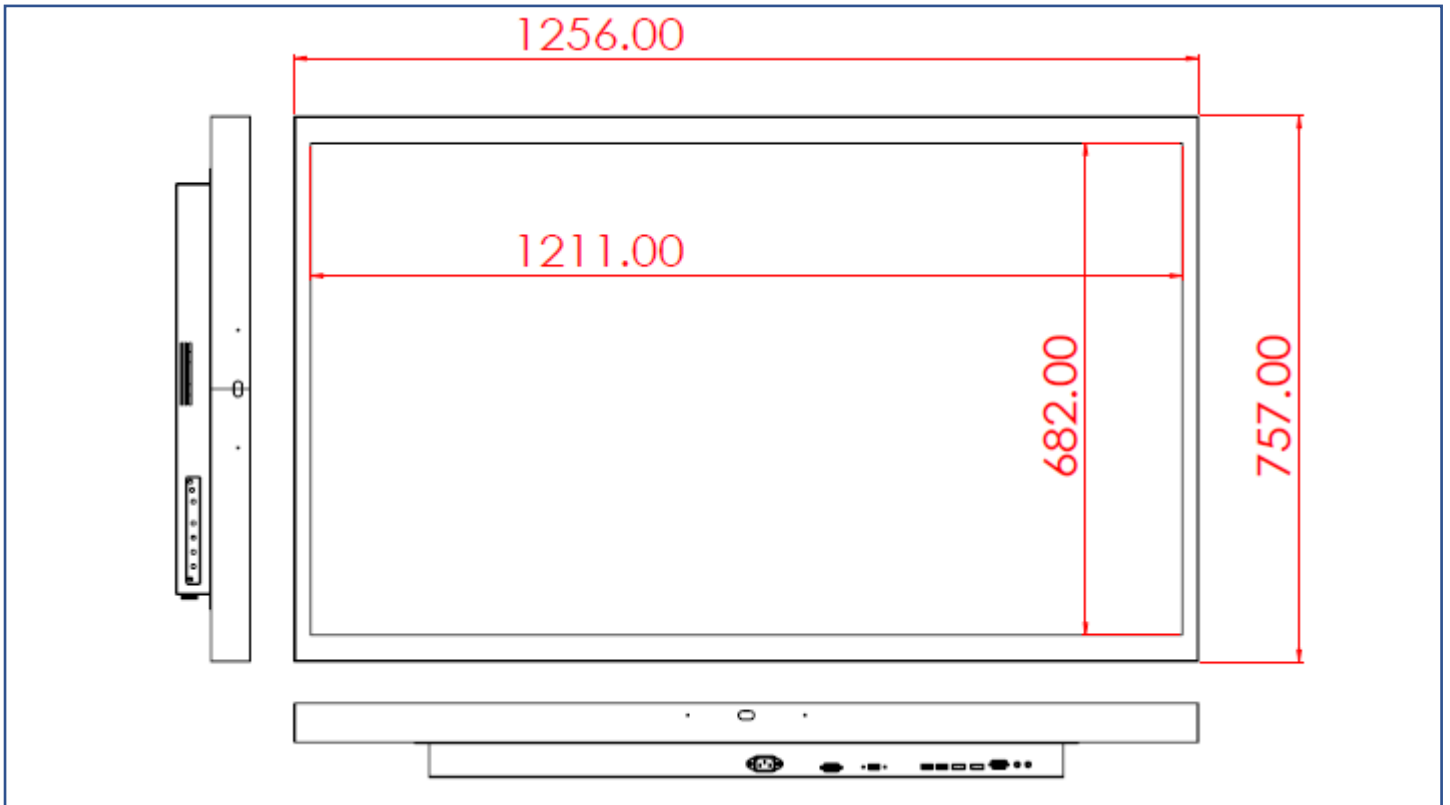


Material	SECC
Caster	4 (front 2 braking)
Ingress Protection	Front IP65
Power Socket	None (Wire Hole Reserved)



Physical Specifications

Dimension (Max)	1256x757x82(±2)mm	Net Weight	≤ 52.0 KG
VESA Mounting	400x400 mm	Gross Weight	≤ 59.0 KG



Packing Information



Dimensions of Carton	153x96x23 CM
Net Weight	≤ 52.0 KG
Gross Weight	≤ 59.0 KG