

Product Specifications

| | |
|-----------------|---------------------|
| Customer | |
| Model | NTSP430 V600 |



| Records of Revision | | | |
|---------------------|----------------------------|-----------------|-----------------|
| Vision | Modifying | Old Description | New Description |
| v2502.1 | Preliminary Specifications | | |
| | | | |
| | | | |
| | | | |
| | | | |
| | | | |
| | | | |
| | | | |
| | | | |

Features

- ★ 43 inch Panel, 4K (UHD) Resolution
- ★ Wide Viewing Angle (178°/178°)
- ★ True Flat Projected Capacitive Touch Screen
- ★ Anti-Glare & UV Cut Coating, 7H Hardness Tempered Cover Glass
- ★ 10 points Multi-touch , Supports NEXTECH Stylus.
- ★ Metal Cabinet with Diverse Combine Options
- ★ Made in Taiwan, 3 Years Warranty
- ★ Optional Software Remote Control by RS232
- ★ Optional High Brightness 2500nits
- ★ Optional Auto Dimming Function (with Light Sensor)
- ★ Optional 12M pixel camera



PSE



BSMI



RoHS



CE



ISO9001



FCC



Wall Mounting



Cart



KIOSK Cabinet

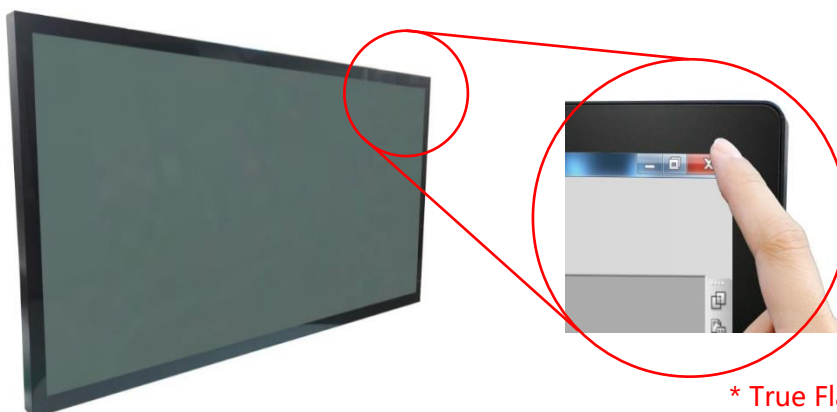
Display Specifications

| | | | |
|-----------------|---------------------------------|--------------------------|--------------------------|
| Model Name | NTSP430XPS9A-GGXXUX-600* | Display Mode | Normally Black |
| Screen Diagonal | 42.5 inch | Response Time | 8 msec. |
| Display Area | 941.2x529.4 mm | Backlight Unit | LED (white LED) |
| Resolution | 3840x2160 (UHD) | Viewing Angle (L/R, U/D) | 178°/178° (CR=10) |
| Contrast Ratio | 4000:1 | Backlight Lifetime | >70,000 小時 |
| Display Ratio | 16:9 | Operating Temp. | 0~50°C |
| Support Colors | 1070M Colors | Storage Temp. | -20~60°C |
| Pixel Pitch | 0.2451x0.2451 mm | | |

* X = A~Z, 0~9 (Depends on options)

Touch Specifications

| Projected Capacitive | | | |
|----------------------|-----------------------------|-------------------------|---------------------------------------|
| Touch Technology | Projected Capacitive | Transparency | ≥87% |
| Allowed Touch Points | 10 points | Thickness of Cover Lens | 3.0±0.2mm |
| Interface | USB | Hardness of Cover Lens | 7H |
| Accuracy | 99.00% | Surface Treatment | Anti-Glare &UV Cut Coating |
| IK Ratings | IK07 | | |



* True Flat, Bezel 1 mm

General Options

| Brightness | | | |
|-----------------|----------------|---------------------|---------------------------------|
| | Brightness | Environment | Model Name |
| Standard | 500nits | General | NTSP430NPS9DA-GGXXUX-600 |
| Option 1 | 1500nits | Outdoor Environment | NTSP430HP2DA-GGXXUF-600 * |
| Option 2 | 2500nits | Outdoor Environment | NTSP430HP3DA-GGXXUF-600 * |

* Check the data sheet NTSP430-2 V600, NTSP430-3 V600

| Color of Cabinet | | |
|------------------|--------------|--------------------------------|
| | Description | Model Name |
| Standard | Black | NTSP430XPS9A-GGBXUX-600 |
| Option 1 | White | NTSP430XPS9A-GGWXUX-600 |
| Option 2 | Silver | NTSP430XPS9A-GGSXUX-600 |
| Options | Other Colors | NTSP430XPS9A-GGXXUX-600 |

* X = A~Z, 0~9 (Depends on Color)

| Material of Cabinet | | |
|---------------------|--------------------------------|---|
| | Description | Model Name |
| Standard | Galvanized steel (SECC) | NTSP430XPS9A-GGX^SUX-600 |
| Option 1 | Stainless Steel | NTSP430XPS9A-GGX ^L UX-600 |
| Option 2 | Aluminum | NTSP430XPS9A-GGX ^A UX-600 |

| Cooling Fan | | |
|-----------------|-----------------------------|---|
| | Description | Model Name |
| Standard | Fanless | NTSP430XPS9A-GGXXU⁰-600 |
| Option | 7 Blades/12V/1200r.p.m/25dB | NTSP430XPS9A-GGXXU ^F -600 |

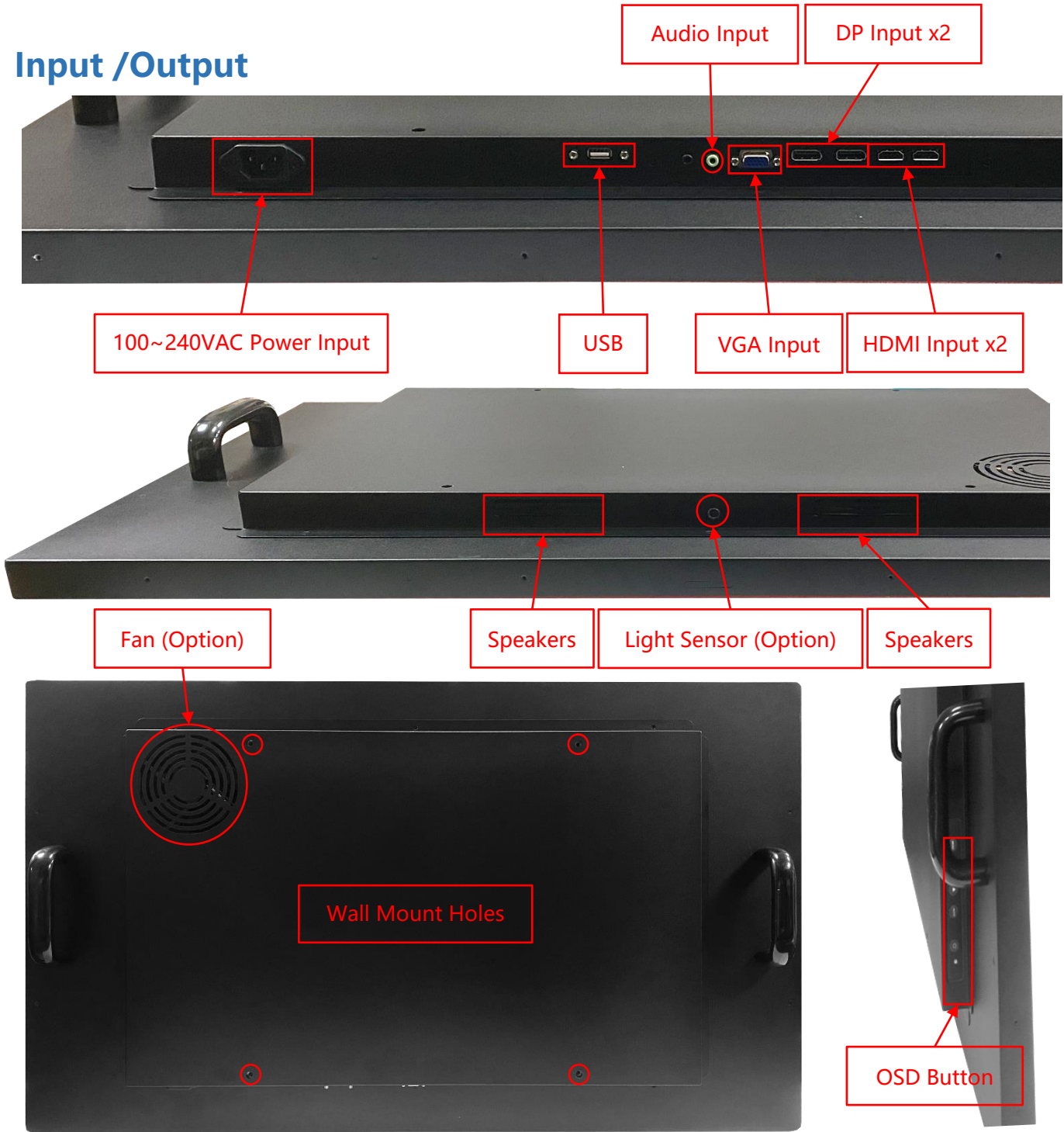
Accessories

| Item | Description | Quantity |
|------------|--|----------|
| HDMI Cable | HDMI Male to Male, 1.8 Meter | 1 |
| Power Cord | *Country Specific | 1 |
| USB Cable | A type, Male to Male, 1.5 Meter*(Touch Type Only) | 1 |

Nextech P Series 43" Touch Display

NTSP430 V600

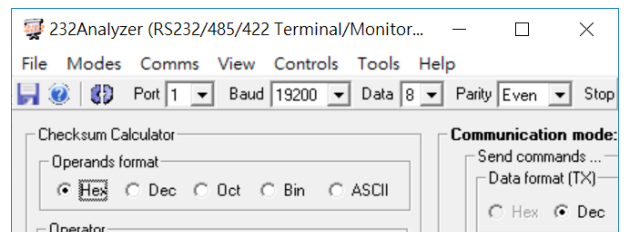
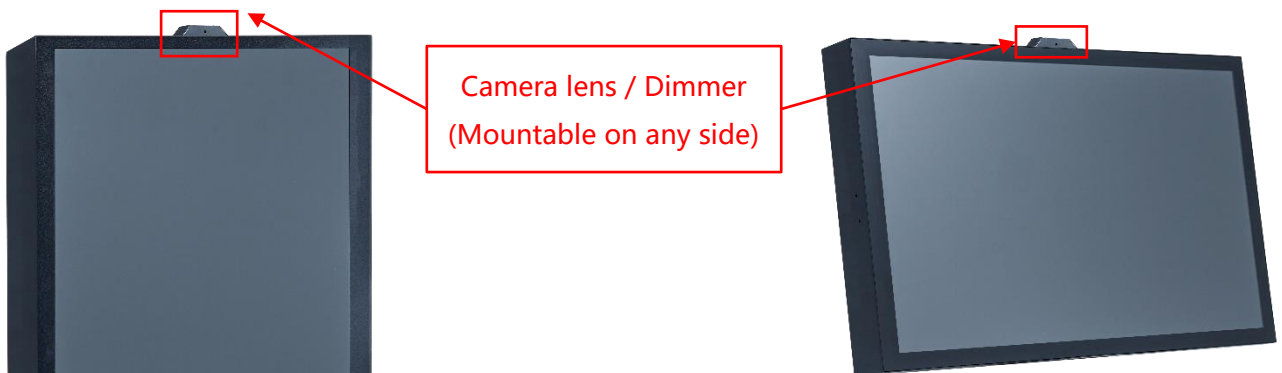
Input /Output



| Input / Output | Amount | Input / Output | Amount |
|----------------------|--------|----------------------|--------|
| HDMI Input | 2 | USB 2.0 Interface | 1 |
| VGA Input | 1 | RS232 | Option |
| DisplayPort Input | 2 | Speakers | 10Wx2 |
| Audio Input (3.5mm) | 1 | Light Sensor | Option |
| AC Power Input (C14) | 1 | External Camera Lens | Option |

Other Options

| OSD Control | | |
|-----------------|-------------------------|---|
| | Item | Description |
| Standard | Button | Rear Physical Button |
| Option | Software Remote Control | Software Remote Control by RS232/Serial Port |
| Option | Auto Dimming | Auto Brightness Adjusting by Light Sensor |
| Option | Camera lens | 12 million pixels, maximum resolution of 3840x3104. |
| Option | Stylus pen | Specifications are as follows in the table. |

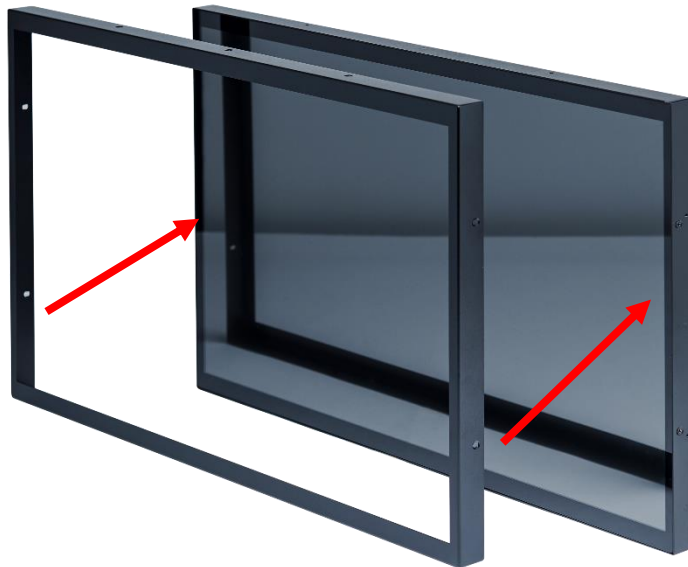


* Software Remote

| Passive Stylus Pen (Option) | |
|-----------------------------|--|
| Technology | Passive High Sensitive Knitted Wire Mesh Fiber Tip |
| Size of tip | 6mm |
| Magnetic Attachment | Yes |



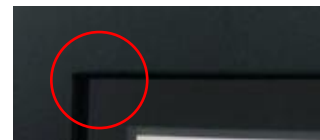
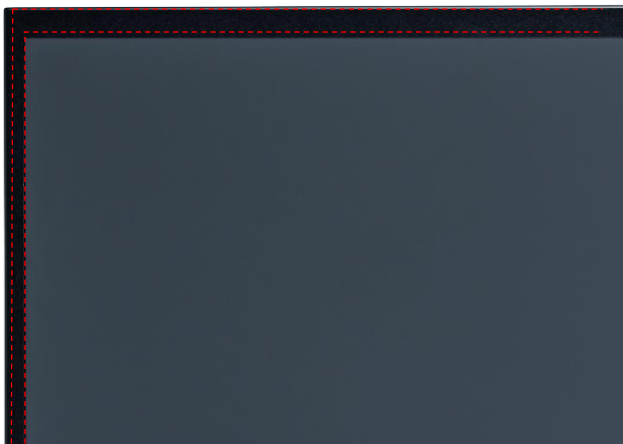
Front Cover (Option)



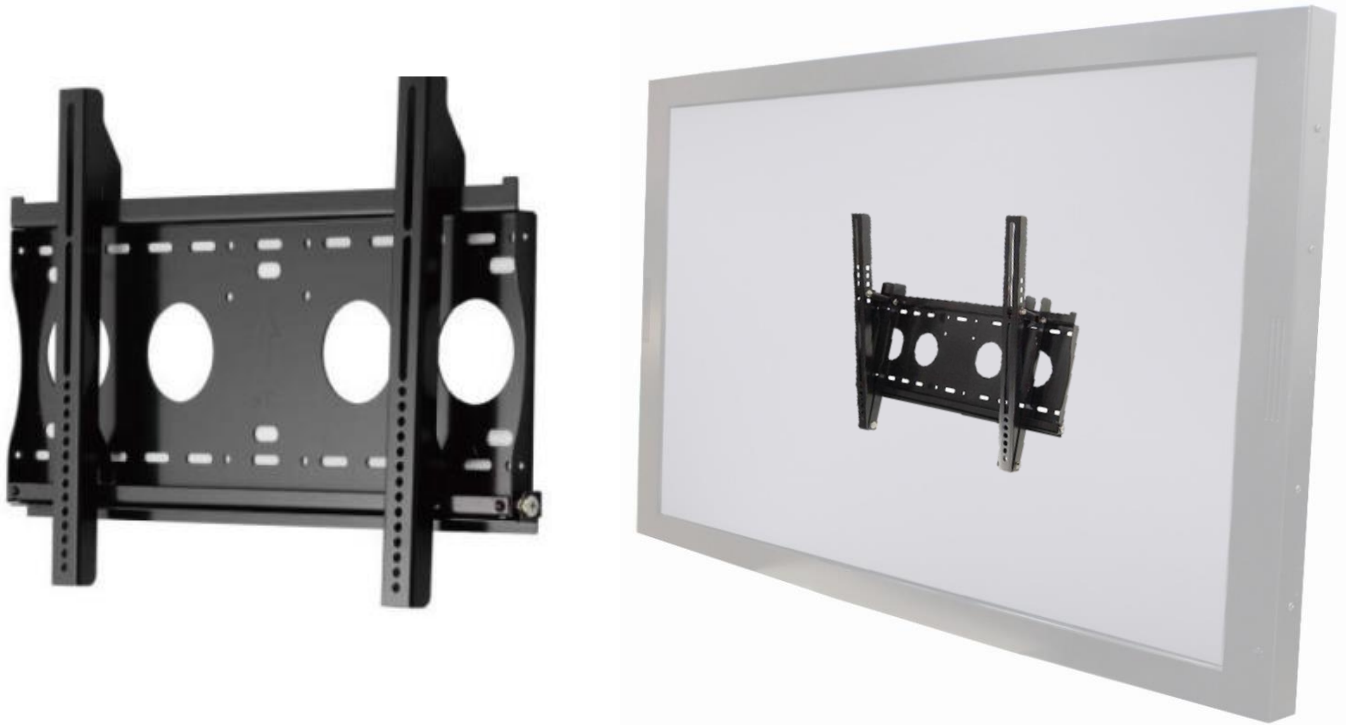
The standard **NTSP430** is true flat surface, with only 1mm metal bezel. To protect the corners of the touch screen, the **Front Cover** can be added.



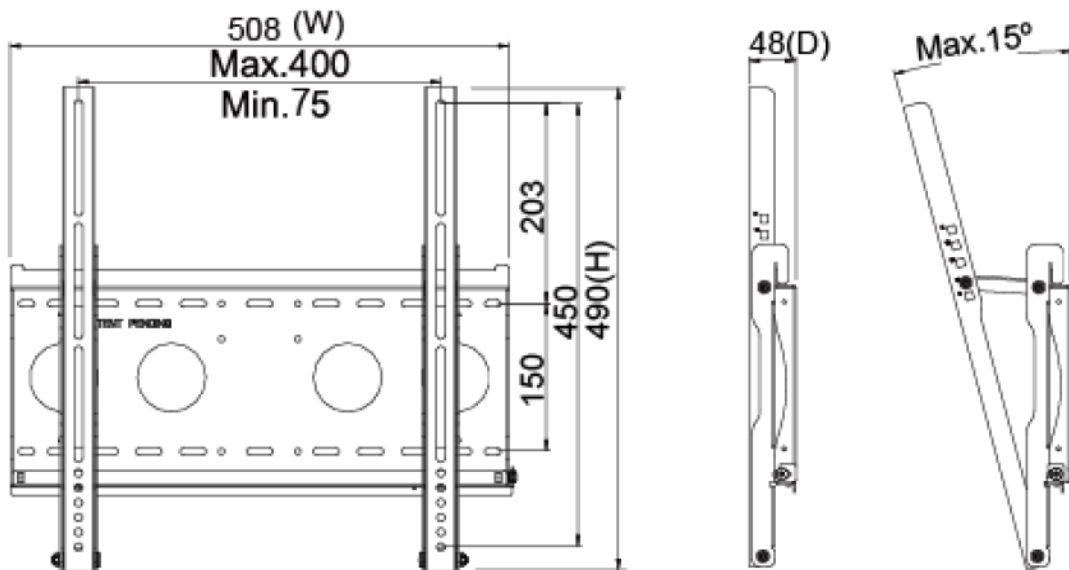
The watertight gasket can be added between the **Front Cover** and **NTSP430**. It complies **IP65** on front.



Wall Mount Bracket (Option)



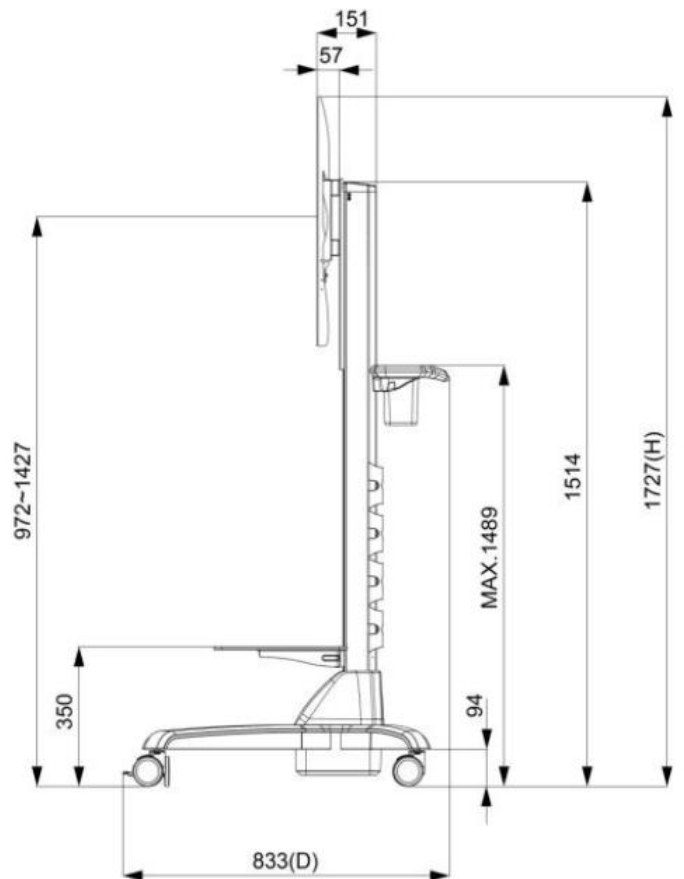
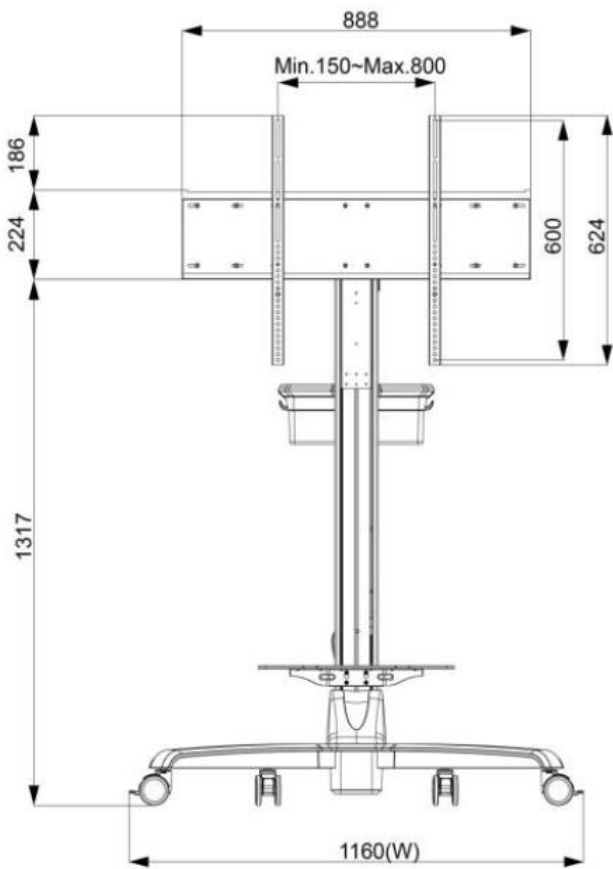
| | | | |
|------------------|-------------------|------------------|-------------------|
| Part No. | WMB-B001 | | |
| Mounting Pattern | Max. 400x450 mm | Mounting Pattern | Max. 400x450 mm |
| Material | SECC | Material | SECC |
| Tilt (Hinge) | 0°/5°/10°/13°/15° | Tilt (Hinge) | 0°/5°/10°/13°/15° |
| Screw Type | M4/M5/M6/M8 | Screw Type | M4/M5/M6/M8 |



Cart (Option)



| | |
|---------------------|------------------------|
| Net Weight | 28.4 KG |
| Power System | AC 200~240V 50/60Hz |
| User Interface | Button (up/down) |
| Packaged Dimension | W1160xD833xH1727 mm |
| Screw Type | M4/M5/M6/M8 |
| Material | Aluminum/Plastic/Steel |
| Max. Mount Pattern | 800x600mm |
| Max. Weight Load | 80 KG |
| Caster | 4 (front 2 braking) |
| Height Adjust Range | 455 mm |
| RoHS/REACH | Yes |



KIOSK Cabinet (Option)

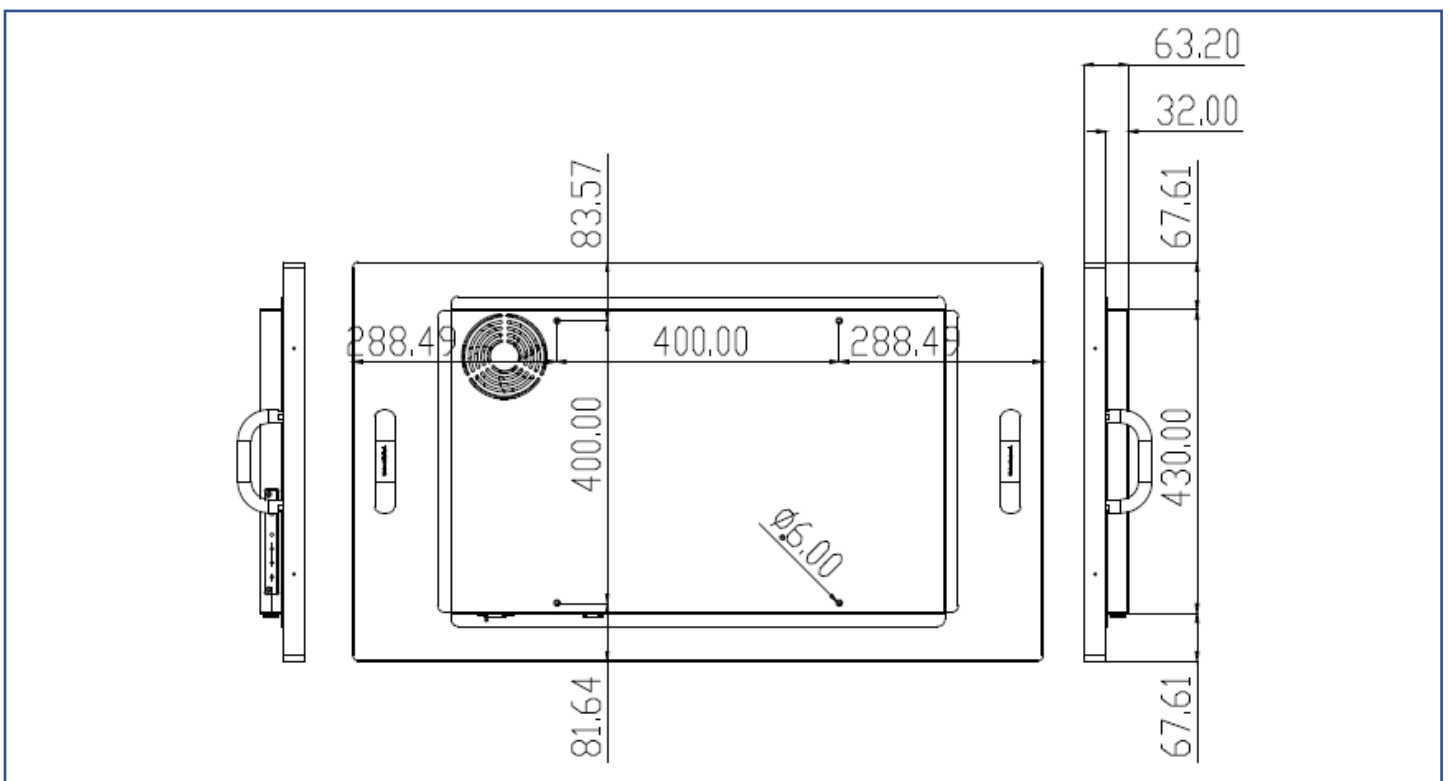
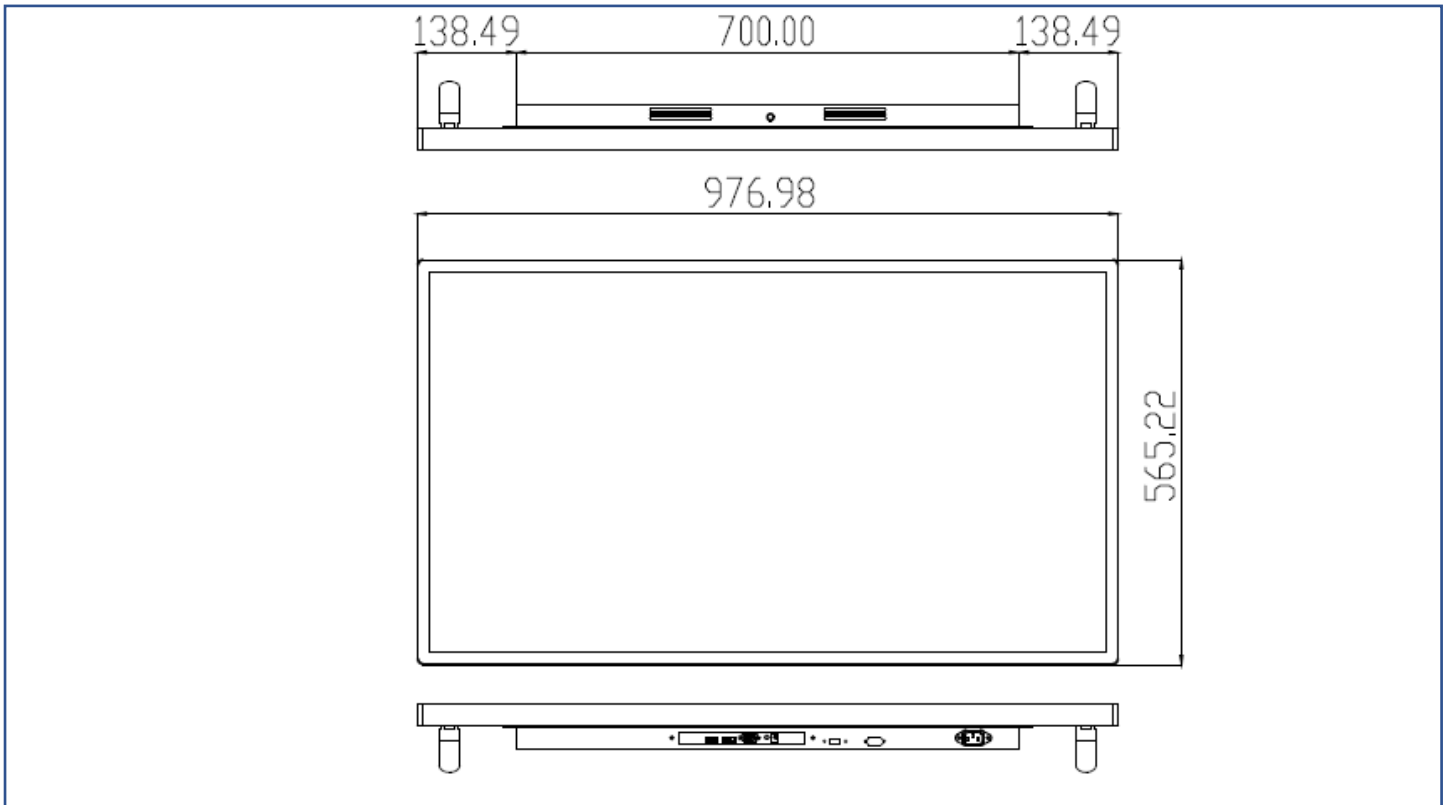


| | |
|--------------------|---------------------------|
| Material | SECC |
| Caster | 4 (front 2 braking) |
| Ingress Protection | Front IP65 |
| Power Socket | None (Wire Hole Reserved) |



Physical Specifications

| | | | |
|-----------------|---------------------------|--------------|------------------|
| Dimension (Max) | 977x565x63.2(±2)mm | Net Weight | ≤ 26.1 KG |
| VESA Mounting | 400x400 mm | Gross Weight | ≤ 34.1 KG |



Packing Information



| | |
|----------------------|---------------------|
| Dimensions of Carton | 116x28x80 CM |
| Net Weight | ≤ 26.1 KG |
| Gross Weight | ≤ 34.1 KG |