



Product Specifications

Customer	
Model	NTSP320-1 V400



Records of Revision			
Vision	Modifying	Old Description	New Description
v1808.1	Preliminary Specifications		
v1808.4	Add Color Options		
v1808.6	Correct Physical Specifications		

Features

- ★ 32 inch Industrial Grade Panel, 1920x1080 (FHD) Resolution
- ★ VA Wide Viewing Angle Technology (178°/178°)
- ★ True Flat Projected Capacitive Touch Screen
- ★ 7H Hardness Tempered Cover Glass
- ★ 10 points Multi-touch , Supports Active Stylus
- ★ Metal Cabinet with Diverse Combine Options
- ★ Made in Taiwan, 3 Years Warranty
- ★ Optional Video Input (VGA/DVI/HDMI/DP)
- ★ Optional Software Remote Control by RS232
- ★ Optional High Brightness 2500nits, for Outdoor Environment
- ★ Optional Auto Dimming Function (with Light Sensor)



PSE



BSMI



RoHS



CE



ISO9001



FCC



Wall Mounting



Cart



KIOSK Cabinet



Display Specifications

Model Name	NTSP320XX-1XXXXXA-400*	Display Mode	VA Type, Normally Black
Screen Diagonal	31.5 inch	Response Time	10 msec.
Display Area	698.4x392.9 mm	Backlight Unit	LED (white LED)
Resolution	1920x1080 (FHD)	Viewing Angle (L/R, U/D)	178°/178° (CR=10)
Contrast Ratio	4000:1	Backlight Lifetime	>50,000 Hours
Display Ratio	16:9	Operating Temp.	0~50°C
Support Color	16.7M Colors	Storage Temp.	-20~60°C
Pixel Pitch	0.3637x0.3637 mm	Surface Treatment	Anti-glare, Hardness 3H

* X = A~Z, 0~9 (Depends on options)

Display Options

Brightness			
	Brightness	Environment	Model Name
Standard	500nits	General (Indoor)	NTSP320NX-1XXXXXA-400
Option 1	1500nits	Outdoor Environment	NTSP320HX-4XXXXXA-400
Option 2	2500nits	Sunlight Readable	NTSP320HX-3XXXXXA-400

* Check the data sheets: [NTSP320-3](#), [NTSP320-4](#)

Accessories

Item	Description	Quantity
HDMI Cable	HDMI Male to Male, 1.8 Meter	1
Power cord	*Country Specific	1
USB Cable	A type, Male to Male, 1.5 Meter *(only for touch monitor)	1

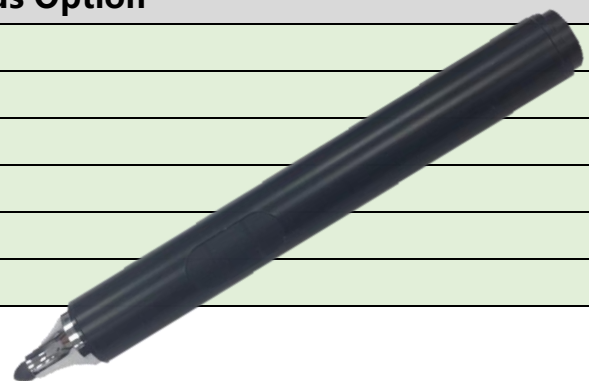
Touch Options

Projected Capacitive			
Model Name	NTSP320XP-1XXXXXA-400		
Touch Technology	Projected Capacitive	Transparency	≥87%
Allowed Touch Points	10 points	Accuracy	99.00%
Interface	USB/RS232 (option)	Thickness of Cover Lens	2.9±0.2mm
IK Ratings	IK07	Hardness of Cover Lens	7H



Non-Touch	
Model Name	NTSP320X0-1X0XXXXA-400

Active Stylus Option	
Technology	Active Capacitive Coupled
Working Frequencies	90~250 KHZ
Pressure Level	256~1024 Levels
Side Buttons	2 Side Buttons (Eraser, Barrel)
Active Tip Force	5~25g
Max. Tip Force	400g





General Options

Color of Cabinet		
	Description	Model Name
Standard	Black	NTSP320XX-1BXXXXA-400
Option 1	White	NTSP320XX-1WXXXXA-400
Option 2	Silver	NTSP320XX-1SXXXXA-400
Options	Other Colors	NTSP320XX-1XXXXXA-400

* X = A~Z, 0~9 (Depends on Color)

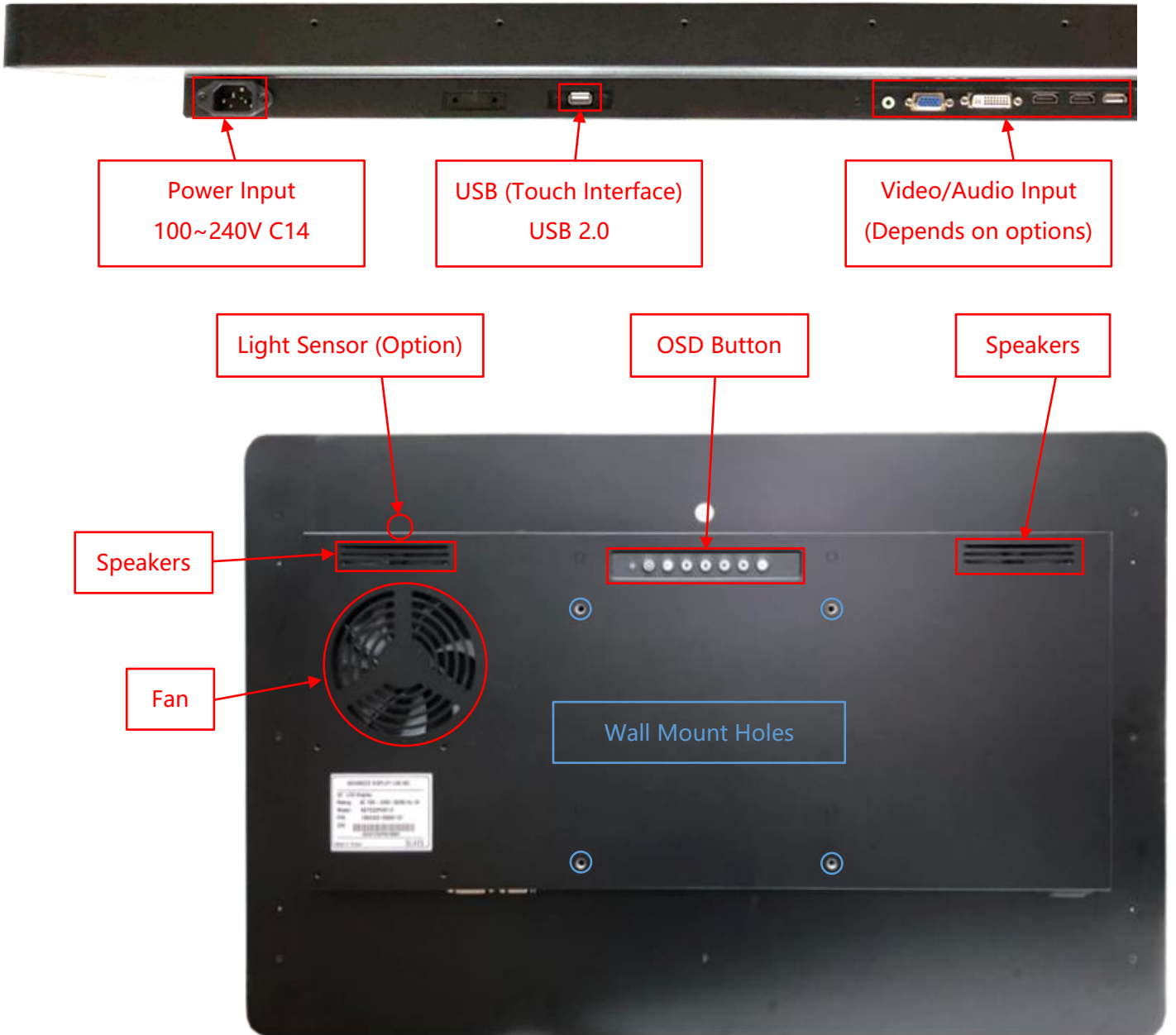
Touch Interface Terminal		
	Description	Model Name
Standard	USB	NTSP320XX-1XUXXXXA-400
Option 1	RS232	NTSP320XX-1XRXXXXA-400
Option 2	Non-Touch	NTSP320XX-1X0XXXXA-400

Material of Cabinet		
	Description	Model Name
Standard	Galvanized steel (SECC)	NTSP320XX-1XXSXXA-400
Option 1	Stainless Steel	NTSP320XX-1XXLXXA-400
Option 2	Aluminum	NTSP320XX-1XXAXXA-400

Cooling Fan		
	Description	Model Name
Standard	Fanless	NTSP320XX-1XXX0XX-400
Option	7 Blades/4000r.p.m/28.3dB	NTSP320XX-1XXXFXA-400

Video Input		
	Description	Model Name
Standard	VGA+HDMI+DP	NTSP320XX-1XXXX8A-400
Option	VGA+DVI+HDMIx2	NTSP320XX-1XXXXAA-400

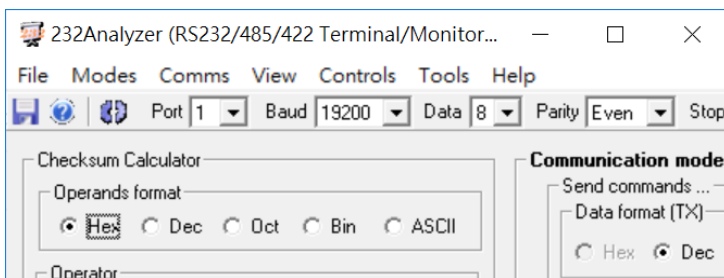
Input /Output System



	Description	Connector
Audio Input	Stereo	TRS ConnectorΦ3.5mm
Speakers	10W x2	
Power Input	100~240VAC	C14 AC Female Socket

Other Options

OSD Control		
	Item	Description
Standard	Button	Rear Physical Button
Option 1	Software Remote Control	Software Remote Control by RS232/Serial Port
Option 2	Auto Dimming	Auto Brightness Adjusting by Light Sensor



* Software Remote Control



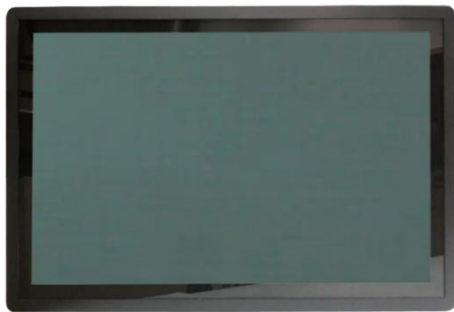
Supported OS

Windows	Win7, Win8, Win10 ↑
Linux	Kernel 2.6.24 ↑
Android	3.0 ↑
Mac	10.5.x ↑ (Intel CPU)

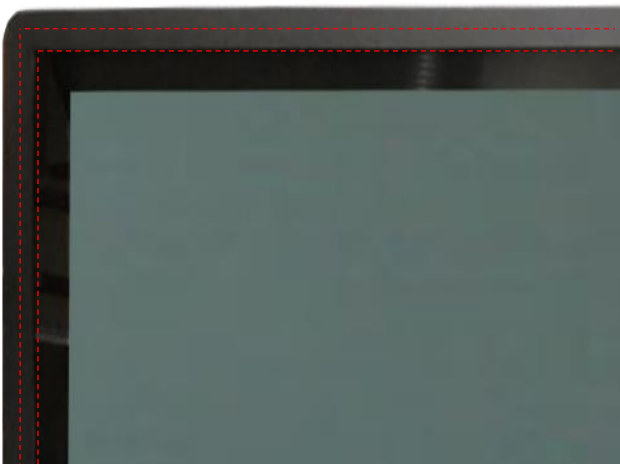
Front Cover (Option)



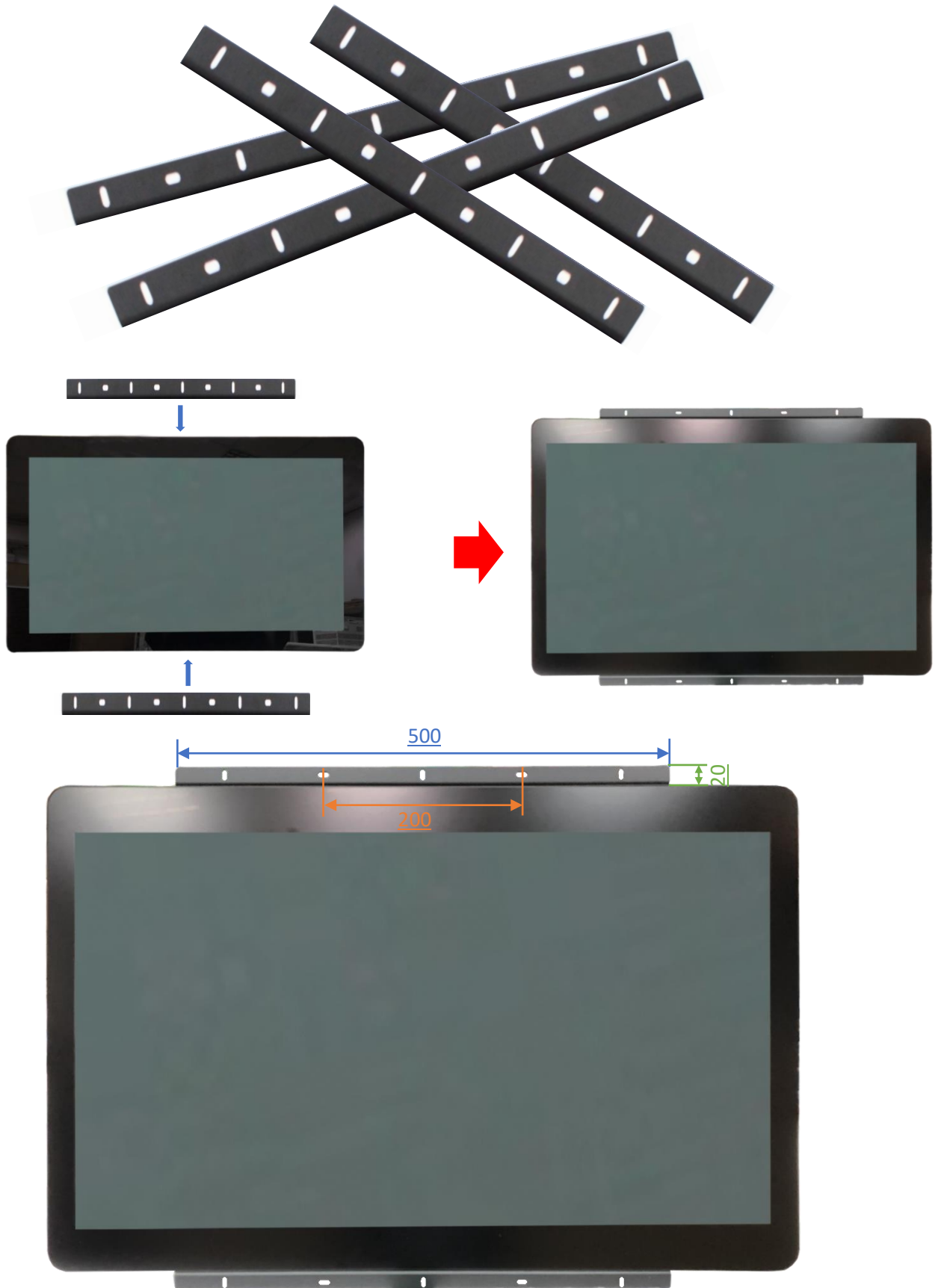
The standard **NTSP320** is true flat surface, with only 1mm metal bezel. To protect the corners of the touch screen, the Front Cover can be added.



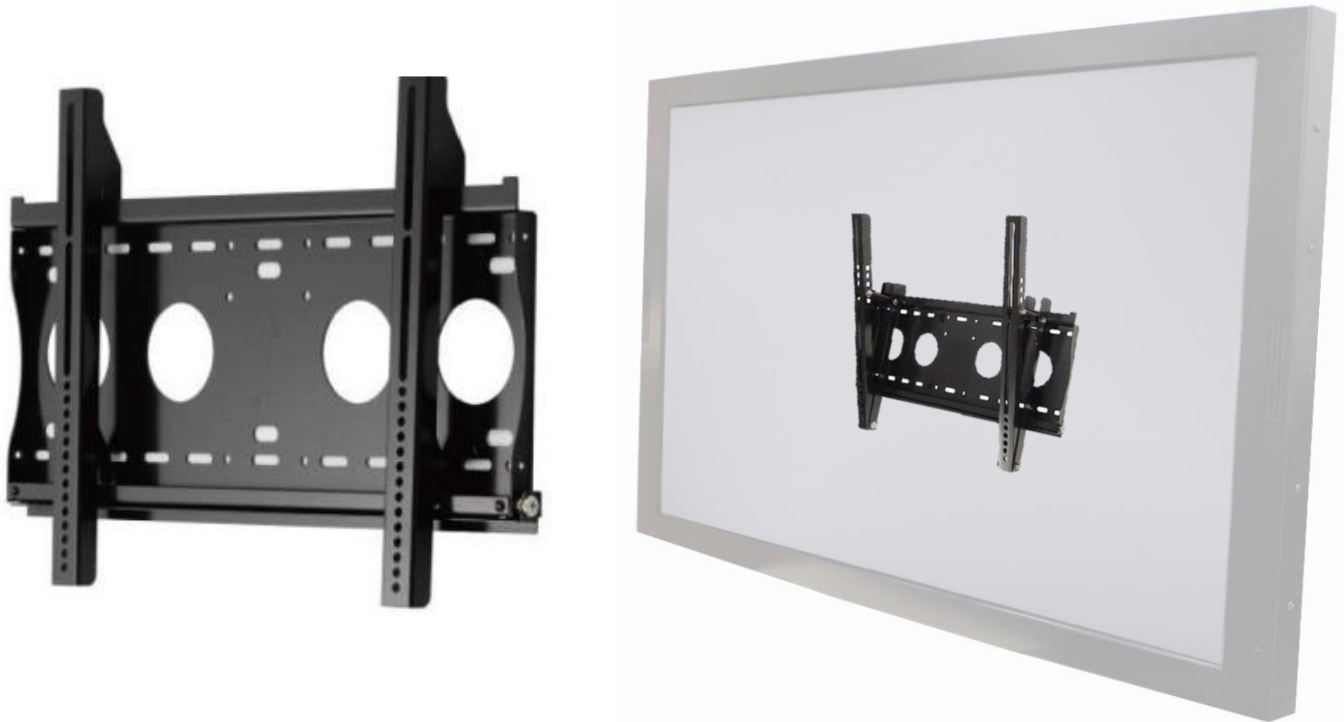
The watertight gasket can be added between the Front Cover and **NTSP320**. It complies **IP65** on front.



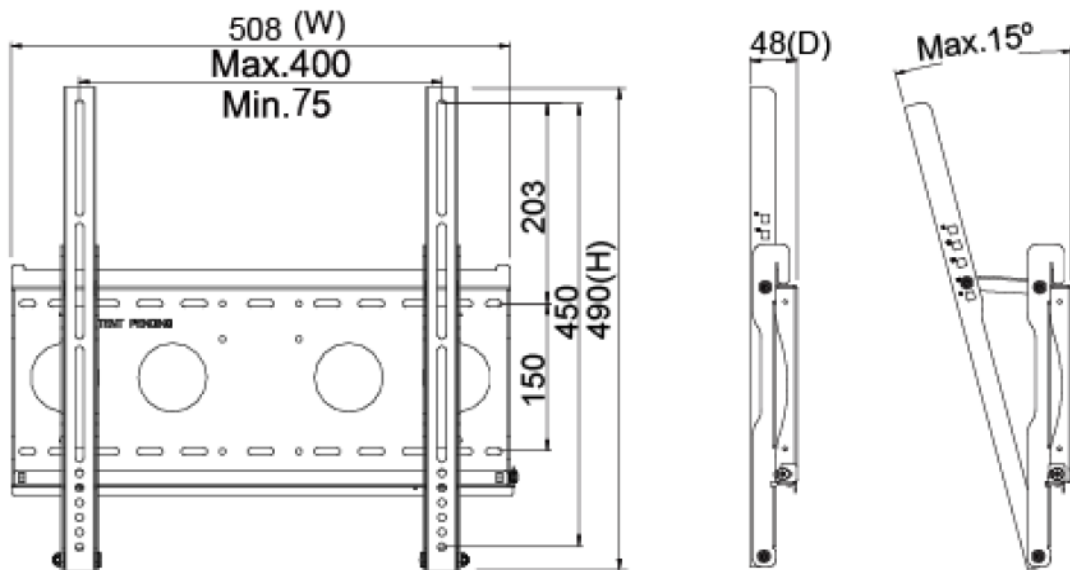
Open-frame Brackets (Option)



Wall Mount Bracket (Option)



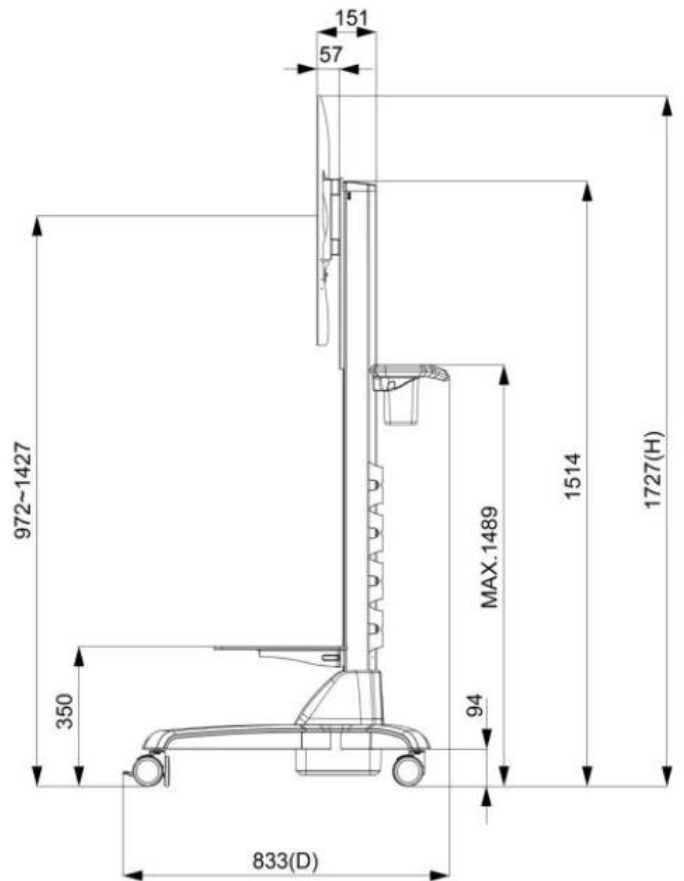
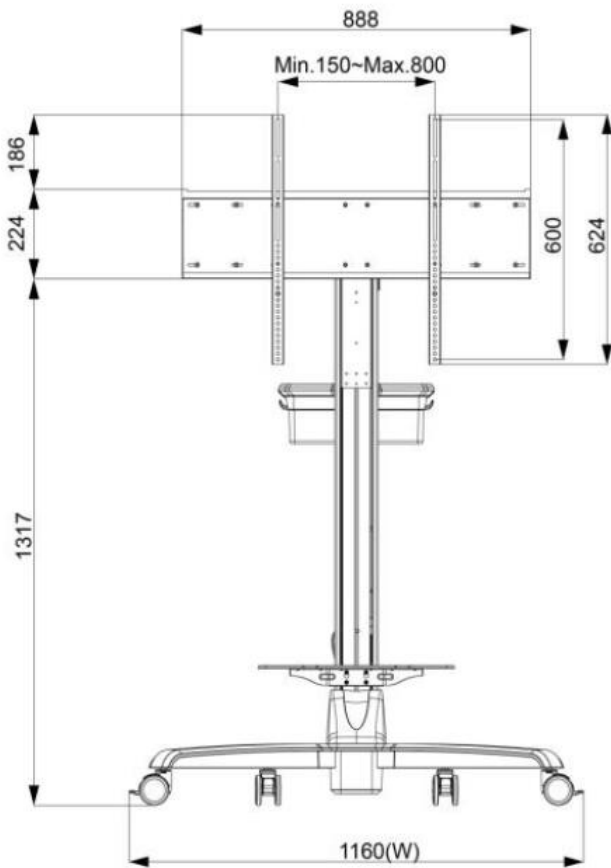
Part No.	WMB-B001		
Mounting Pattern	Max. 400x450 mm	Dimension (WxHxD)	508x490x48 mm
Material	SECC	Net Weight	4.01 KG
Tilt (Hinge)	0°/5°/10°/13°/15°	Support Max. Weight	80 KG
Screw Type	M4/M5/M6/M8	Min. Distance to The Wall	48 mm



Cart (Option)



Net Weight	32.5 KG
Packaged Dimension	W1545xD383xH392 mm
Screw Type	M4/M5/M6/M8
Material	Aluminum/Plastic/Steel
Max. Mount Pattern	800x600mm
Max. Weight Load	30 KG
Caster	4 (front 2 braking)
Height Adjust Range	500 mm
RoHS/REACH	Yes



KIOSK SET (Option)

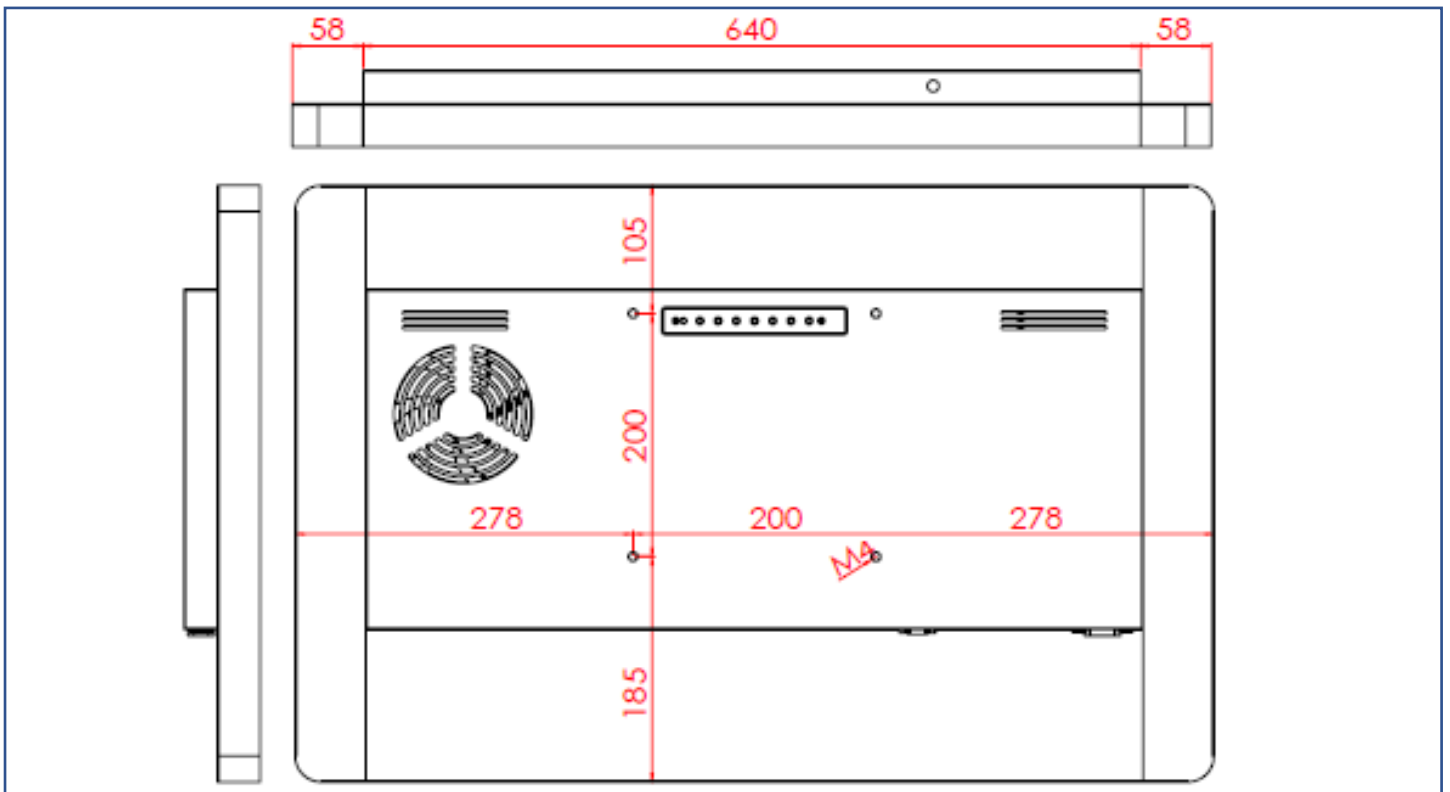
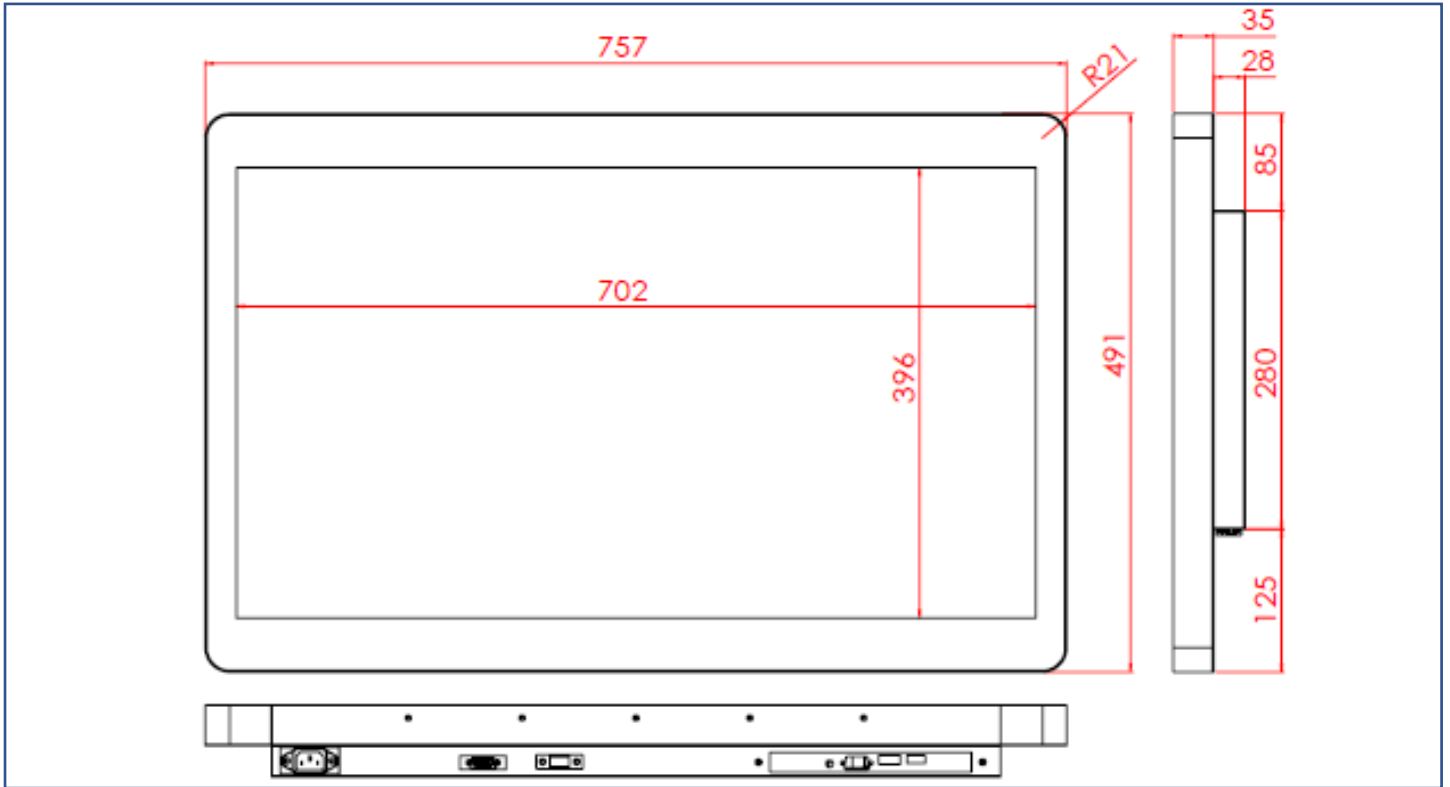


Material	SECC
Caster	4 (front 2 braking)
Ingress Protection	Front IP65
Power Socket	None (Wire Hole Reserved)



Physical Specifications

Dimension (Max)	757x491x63(±2)mm	Net Weight	≤16.5 KG
VESA Mounting	200x200 mm	Gross Weight	≤20.9 KG



Packing Information



Dimensions of Carton	105x68x24 CM
Net Weight	≤ 16.5 KG
Gross Weight	≤ 20.9 KG