

Product Specifications

Customer	
Model	NTSP270 V400



Records of Revision			
Vision	Modifying	Old Description	New Description
v1904.1	Preliminary Specifications		
v1904.3	<ol style="list-style-type: none"> Correction of Dimension Add Antibacterial Film Option Add Color Options 		
v1904.4	Modify Packing for Saving Shipping Cost		
v1904.5	Modify the Wall Mount Kit		
v1904.6	<ol style="list-style-type: none"> Modify the Default of Video Input Define the Cosmetic Inspection Standard 	VGA+DVI	VGA+HDMI+DP
v1904.7	Modify Design of Carton	751x170x518 mm	806x173x530 mm
v1904.8	Update the Typesetting		

Features

- ★ 27 inch, 1920x1080 (FHD) Resolution
- ★ VA Wide Viewing Angle Technology (178°/178°)
- ★ 7H Hardness Tempered Cover Glass
- ★ 10 points Multi-touch , Supports Active Stylus
- ★ Metal Cabinet with Diverse Combine Options
- ★ Made in Taiwan, 3 Years Warranty
- ★ Optional Video Input (VGA/DVI/HDMI/DP)
- ★ Optional 100~240VAC and 9~36VDC Power Input
- ★ Optional Software Remote Control by RS232
- ★ Optional High Brightness 1000nits, for Outdoor Environment
- ★ Optional Auto Dimming Function (with Light Sensor)
- ★ Optional AG Coating/Antibacterial/Privacy Filter Surface Treatment



PSE



BSMI



RoHS



CE



ISO9001



FCC



Desktop Stand



Wall Mounting



Open-frame Brackets



Display Specifications

Model Name	NTSP270XX-1XXXXXX-400*	Display Mode	VA Type, Normally Black
Screen Diagonal	685.6mm (27.0 inch)	Response Time	5 msec.
Display Area	597.6x336.2 mm	Backlight Unit	LED (white LED)
Resolution	1920x1080 (FHD)	Viewing Angle (L/R, U/D)	178°/178° (CR=10)
Contrast Ratio	3000:1	Backlight Lifetime	>30,000 Hours
Display Ratio	16:9	Operating Temp.	0~50°C
Support Color	16.7M Colors	Storage Temp.	-20~60°C
Pixel Pitch	264x264 um	Surface Treatment	Anti-glare, Hardness 3H

* X = A~Z, 0~9 (Depends on options)

Display Options

Brightness			
	Brightness	Environment	Model Name
Standard	300nits	General (Indoor)	NTSP270NX-1XXXXXX-400
Option	1000nits	Outdoor Environment	NTSP270AX-1XXXFX-400

Accessories

Item	Description	Quantity
VGA Cable	D-Sub 15Pin Male to Male, 1.8 Meter	1
Audio Cable	3.5mm Headset Jack, Male to Male, 1.5 Meter	1
AC-DC Adapter	4.16A/12V with CE/FCC/CCC/UL/RoHS/PSE/JET Certification	1
Power Cord	*Country Specific	1
USB Cable	A type, Male to Male, 1.8 Meter *(only for touch monitor)	1

Touch Options

Projected Capacitive			
Model Name	NTSP270XP-1XUXXXX-400		
Touch Technology	Projected Capacitive	Transparency	≥87%
Allowed Touch Points	10 points	Accuracy	99.00%
Interface	USB/RS232 (Option)	Thickness of Cover Lens	2.9±0.2mm
IK Ratings	IK07	Hardness of Cover Lens	7H



Non-Touch	
Model Name	NTSP270X0-1X0XXXX-400

Supported OS

Windows	Win7, Win8, Win10, Win11 ↑
Linux	Kernel 2.6.24 ↑
Android	3.0 ↑
Mac	10.5.x ↑ (Intel CPU)



General Options

Color of Cabinet		
	Description	Model Name
Standard	Black	NTSP270XX-1BXXXXX-400
Option 1	White	NTSP270XX-1WXXXXX-400
Option 2	Silver	NTSP270XX-1SXXXXX-400
Options	Other Colors	NTSP270XX-1XXXXXX-400

* X = A~Z, 0~9 (Depends on Color)

Touch Interface		
	Description	Model Name
Standard	USB	NTSP270XP-1XUXXXX-400
Option 1	RS232	NTSP270XP-1XRXXXX-400
Option 2	Non-Touch	NTSP270X0-1X0XXXX-400

Material of Cabinet		
	Description	Model Name
Standard	SECC	NTSP270XX-1XXSXXX-400
Option 1	Stainless Steel	NTSP270XX-1XXLXXX-400
Option 2	Aluminum	NTSP270XX-1XXAXXX-400

Cooling Fan		
	Description	Model Name
Standard	Fanless	NTSP270XX-1XXX0XX-400
Option	7 Blades/4000r.p.m/28.3dB	NTSP270XX-1XXXFX-400

General Options (Continued)

Video Input		
	Description	Model Name
Standard	VGA+HDMI+DP	NTSP270XX-1XXXX 3 X-400
Option	VGA+DVI	NTSP270XX-1XXXX 4 1-400



VGA+HDMI+DP

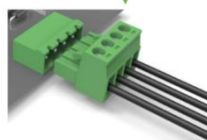


VGA+DVI

Power Input		
	Description	Model Name
Standard	12V, Lockable DC Jack Φ 2.1mm	NTSP270XX-1XXXX 3 2-400
Option 1	12VDC, DC Jack Φ 2.1mm	NTSP270XX-1XXXX 4 1-400
Option 2	9~36VDC, Phoenix Terminal Block	NTSP270XX-1XXXX 3 P-400
Option 3	100~240VAC, C14 Female Socket	NTSP270XX-1XXXX 3 A-400



Lockable DC Power Jack

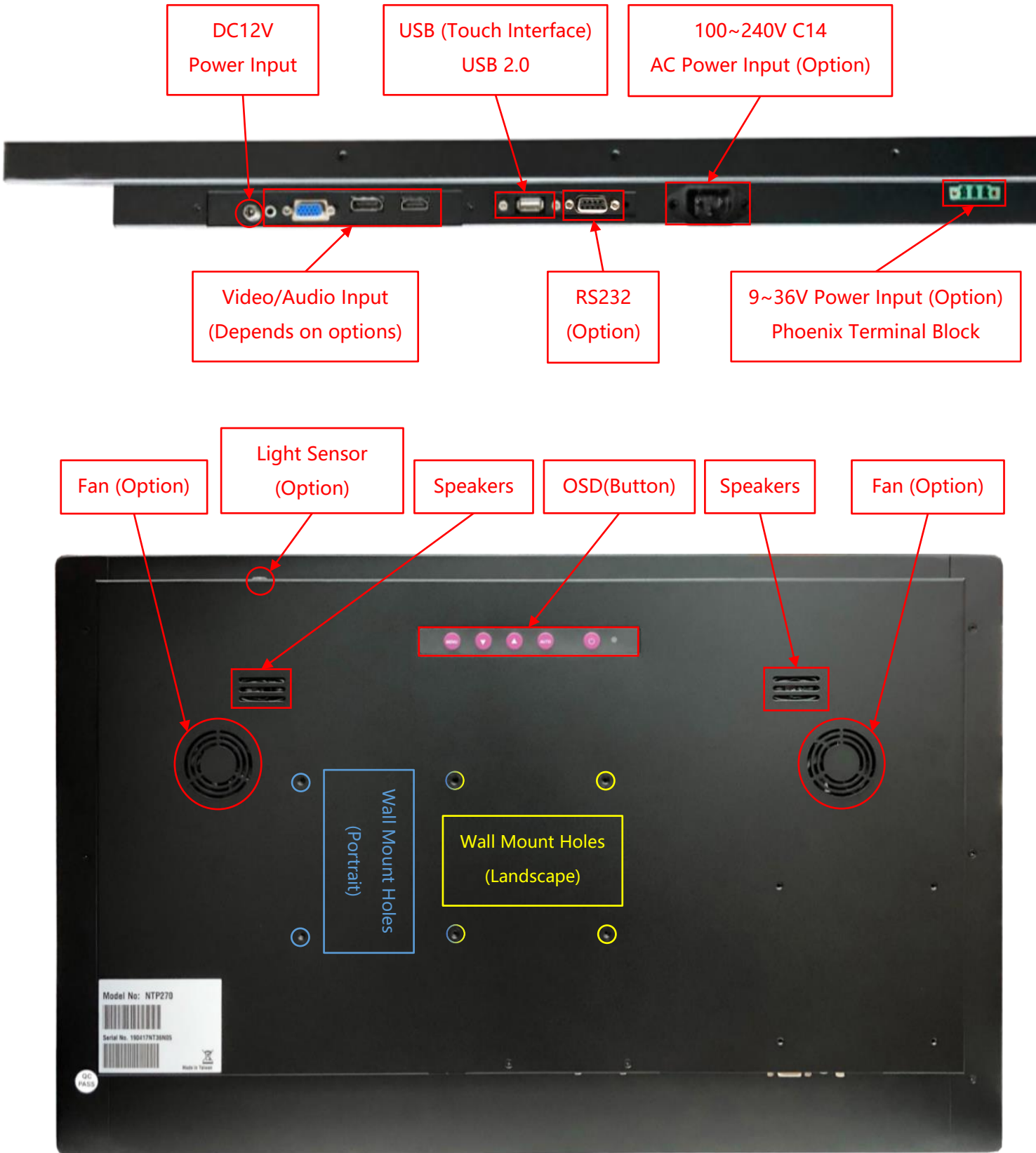


Phoenix Terminal Block



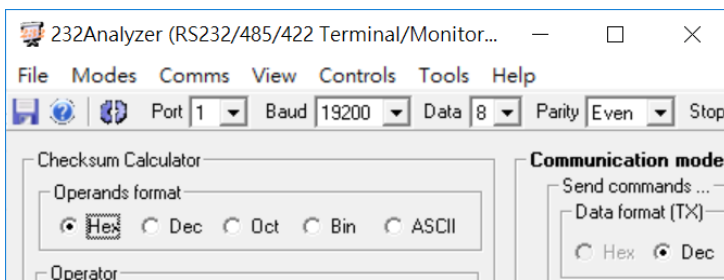
C14 AC Socket

Input /Output System

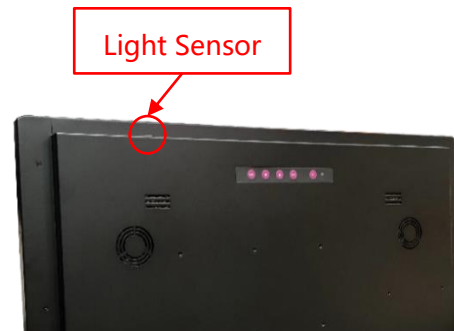


Other Options

OSD Control		
	Item	Description
Standard	Button	Rear Physical Button
Option 1	Software Remote Control	Software Remote Control by RS232/Serial Port
Option 2	Auto Dimming	Auto Brightness Adjusting by Light Sensor



* Software Remote Control



Active Stylus Option	
Technology	Active Capacitive Coupled
Working Frequencies	90~250 KHZ
Pressure Level	256~1024 Levels
Side Buttons	2 Side Buttons (Eraser, Barrel)
Active Tip Force	5~25g
Max. Tip Force	400g

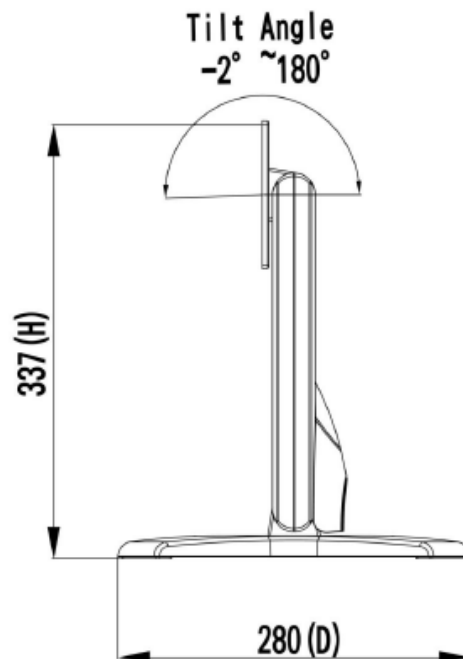
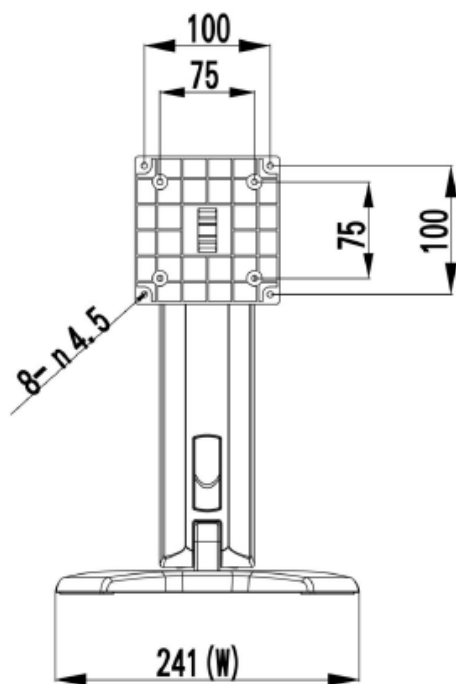


Surface Film Options	
Option	Anti-Glare Coating
Option	Antibacterial (AB Film)
Option	Anti-Glare +UV-Cut (AG+UV Film)



Desktop Stand (Option)

Item	B Stand	Part No.	DST-0B003/DST-1B003
Mounting Pattern	100x100 / 75x75 mm	Dimension (WxHxD)	203x275x227 mm
Material	Steel/Plastic/Aluminum	Net Weight	1.8 KG
Tilt (Hinge)	-2° ~+180°	Support Max. Weight	15 KG



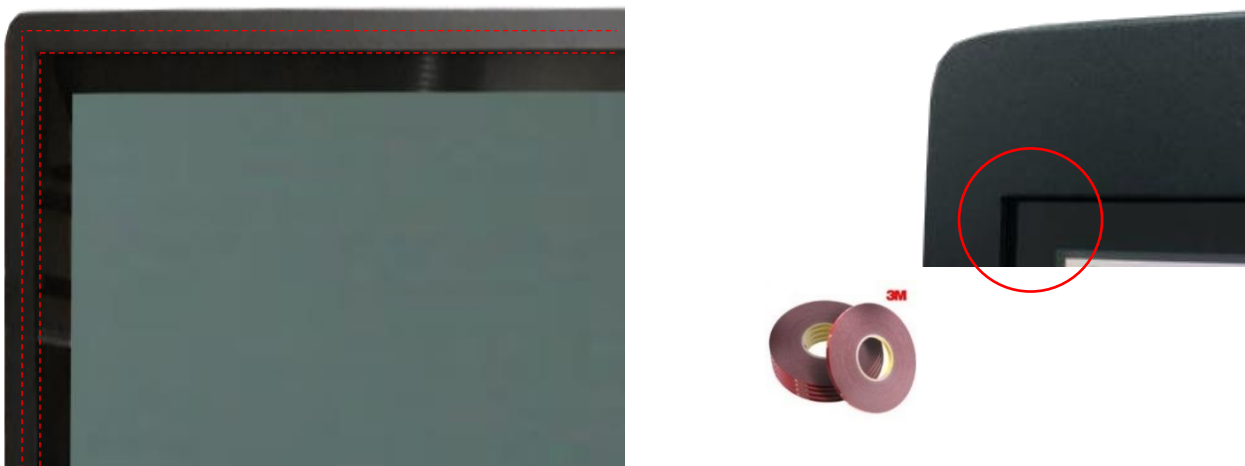
Front Cover (Option)



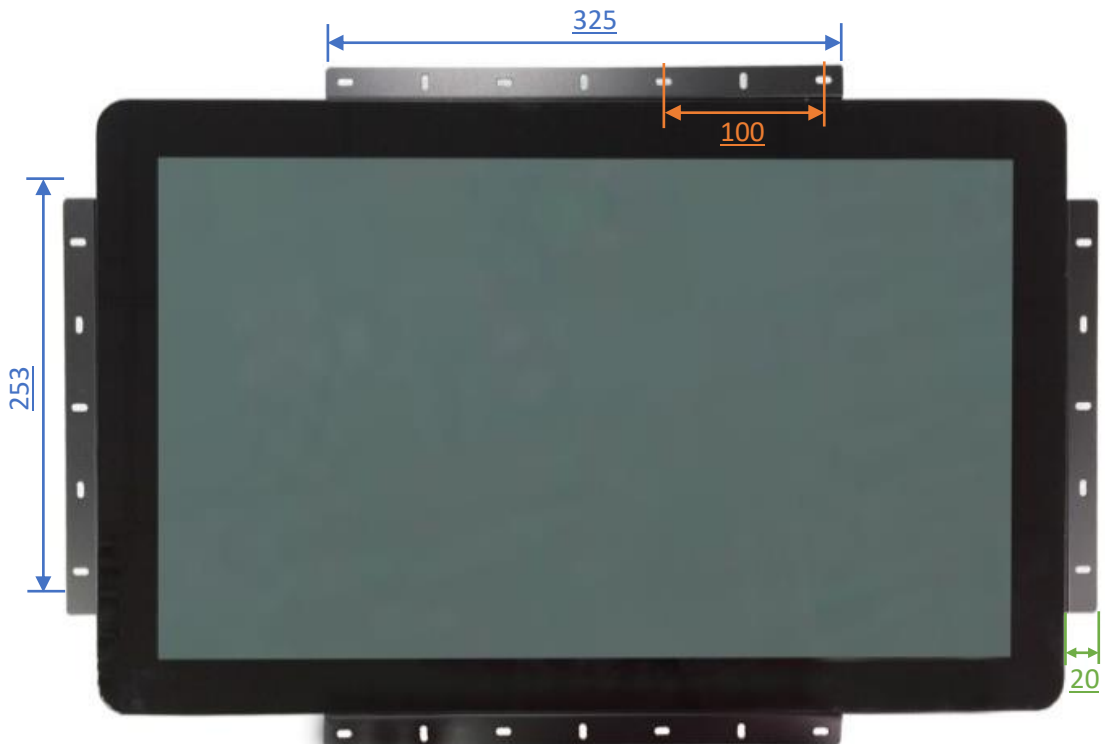
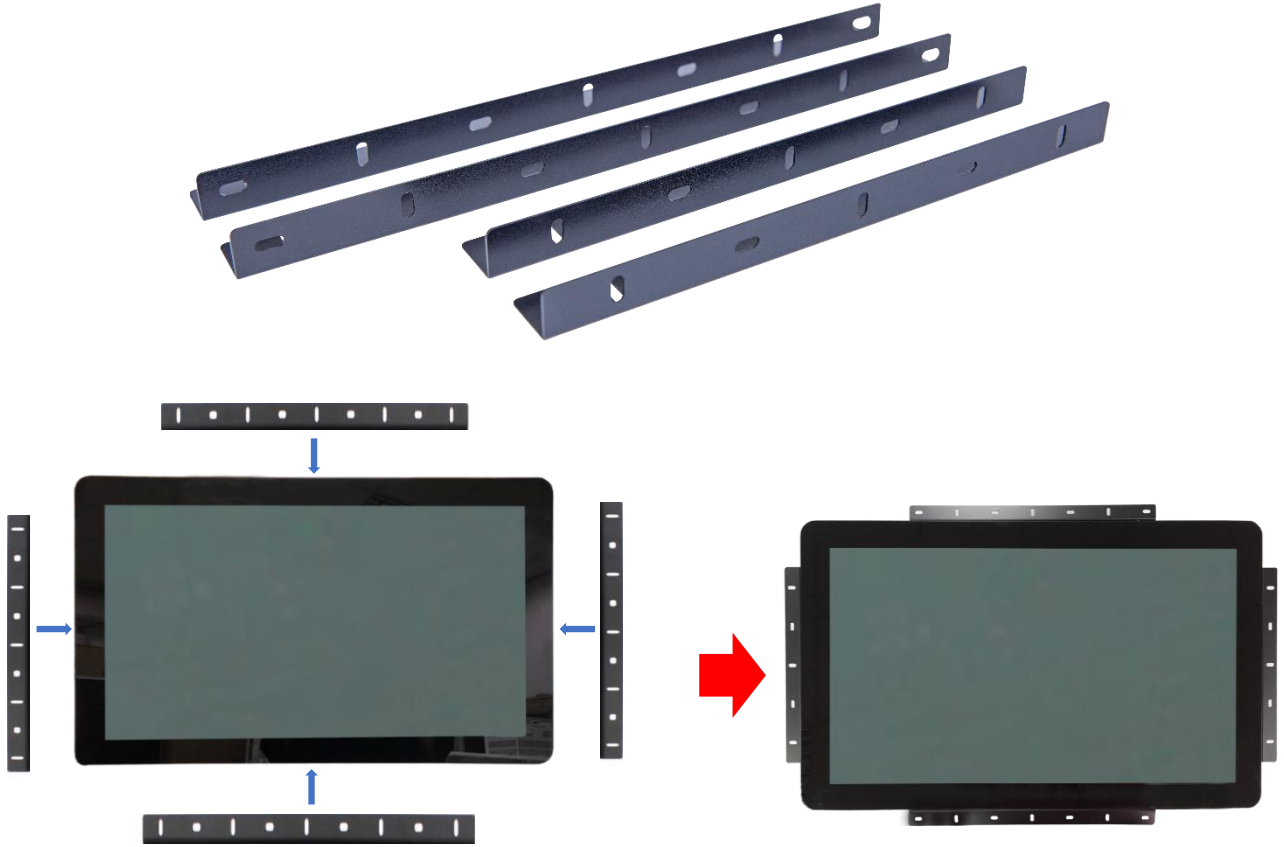
The standard **NTSP270** is true flat surface, with only 1mm metal bezel.
To protect the corners of the touch screen, the **Front Cover** can be added.



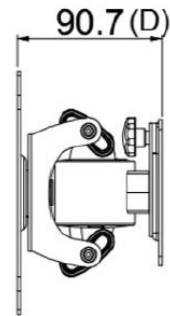
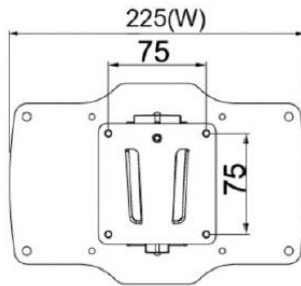
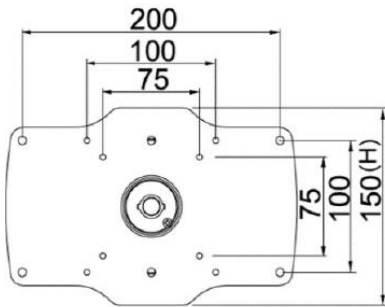
The watertight gasket can be added between the **Front Cover** and **NTSP270**.
It complies **IP65** on front.



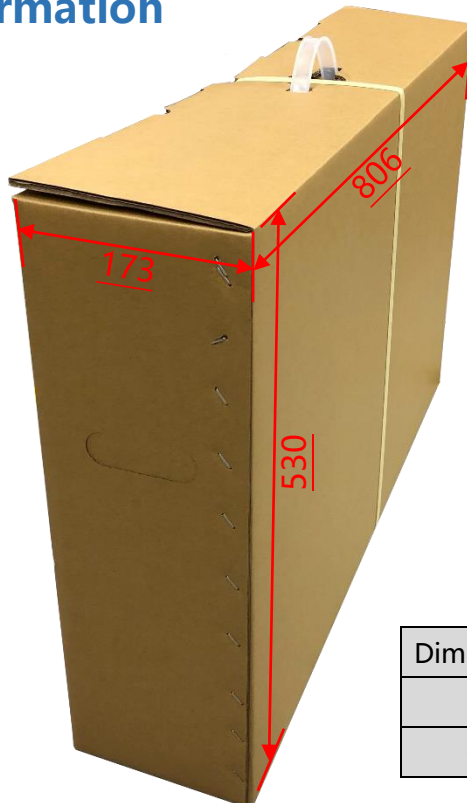
Open-frame Brackets (Option)



Wall Mount Bracket (Option)



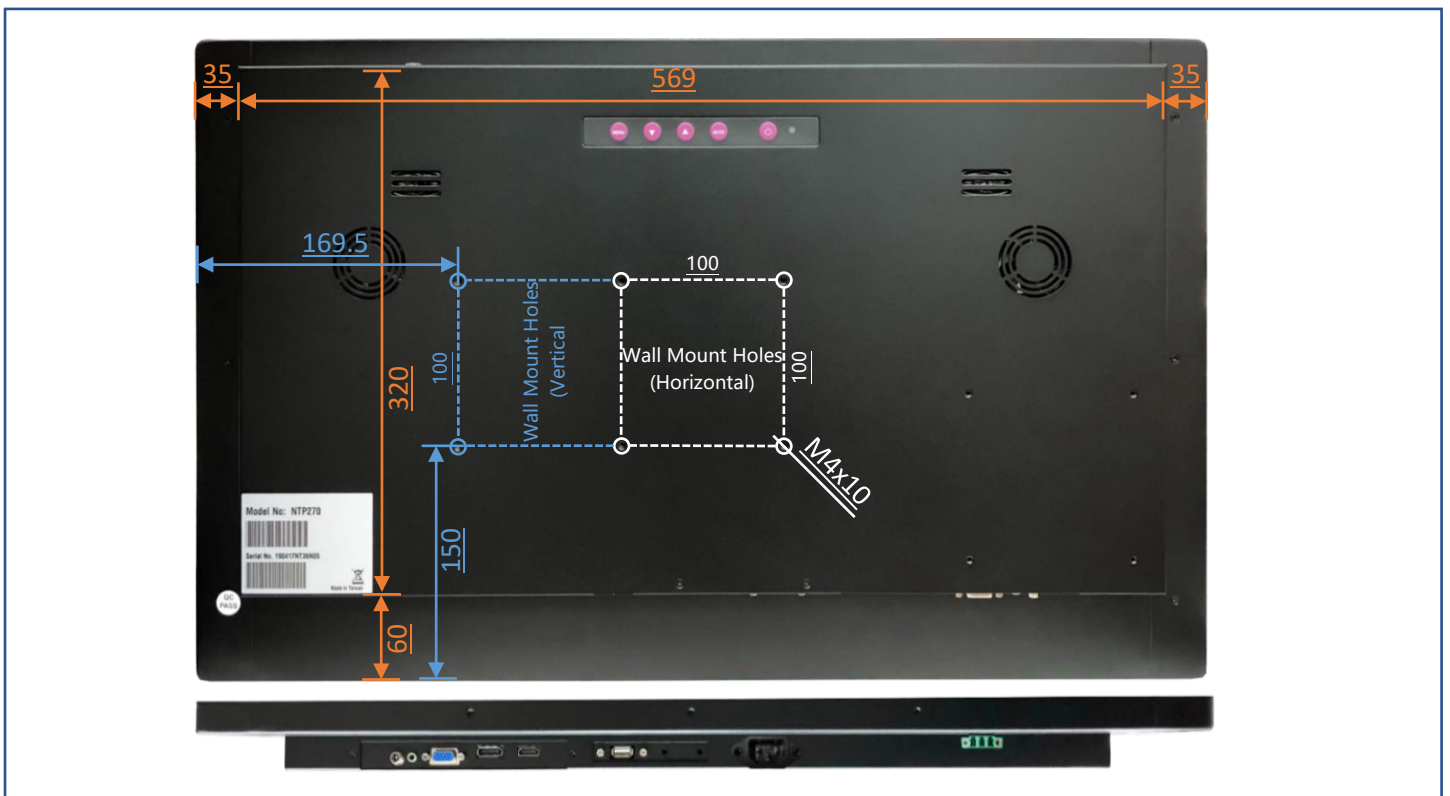
Packing Information



Dimensions of Carton	806x173x530 mm
Net Weight	≤9.3 KG
Gross Weight	≤11.6 KG

Physical Specifications

Dimension (Max)	639x400x43(±2)mm	Net Weight	≤9.3 KG
VESA Mounting	100x100 mm	Gross Weight	≤11.6 KG



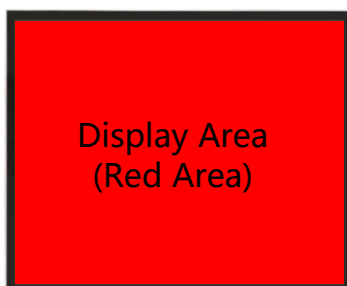
Cosmetic Inspection Standard

Display Area Allowance			
Defect description	Defective Specifications	Allowance	Remarks
Dot Defect (including dark dot, particles, bubbles, pits, dust, foreign matter)	$D \leq 0.2\text{mm}$	Ignored	D=Diameter
	$0.2 < D \leq 0.7\text{mm}$	$N \leq 5$	N=Quantity
	$0.7 < D \leq 1\text{mm}$	$N \leq 3$	
	$D > 1\text{mm}$	$N \leq 0$	
Linear Defect (including scratches, fluff, particles)	$W \leq 0.15\text{mm}$	Ignored	W=Width
	$0.15 < W \leq 0.5\text{mm}, L \leq 15\text{mm}$	$N \leq 2$	L=Length
	$W > 0.5\text{mm}$ or $L > 15\text{mm}$	NG	

* Visual inspection distance: 60cm, 90 degree (same for front/side/back)

Front Appearance Allowance (Including Coating)			
Defect description	Defective Specifications	Allowance	Remarks
Dot Defect (including particles, bubbles, pits...etc.)	$D \leq 0.7\text{mm}$	Ignored	D=Diameter
	$0.7 < D \leq 1.5\text{mm}$	$N \leq 3$	N=Quantity
	$D > 1.5\text{mm}$	$N \leq 0$	
Linear Defect (including scratches, fluff, particles)	$W \leq 0.2\text{mm}, L \leq 15\text{mm}$	Ignored	W=Width, L=Length
	$0.2 < W \leq 0.7\text{mm}, L \leq 15\text{mm}$	$N \leq 1$	
	$W > 0.7\text{mm}$ or $L > 15\text{mm}$	NG	

Side / Back Appearance Allowance (Including Coating)			
Defect description	Defective Specifications	Allowance	Remarks
Dot Defect (including particles, bubbles, pits...etc.)	$D \leq 1.5\text{mm}$	Ignored	D=Diameter
	$1.5 < D \leq 3\text{mm}$	$N \leq 8$	N=Quantity
	$D > 3\text{mm}$	$N \leq 2$	
Linear Defect (including scratches, fluff, particles)	$W \leq 0.8\text{mm}, L \leq 15\text{mm}$	Ignored	W=Width, L=Length
	$0.8 < W \leq 1.5\text{mm}, L \leq 15\text{mm}$	$N \leq 5$	
	$W > 1.5\text{mm}$ or $L > 15\text{mm}$	NG	



Display Area
(Red Area)



Front Appearance (Red Area)



Back Appearance