

# Product Specifications

<b>Customer</b>	
<b>Model</b>	<b>NTSP270NPSCC V100</b>



Records of Revision			
Vision	Modifying	Old Description	New Description
v2412.1	Preliminary specifications		

# Nextech C Series 27" USB type C Industrial Touch Display

**NTSP270NPSCC-V100**

## Features

- ★ 27 inch, 1920x1080 (FHD) Resolution
- ★ VA Wide Viewing Angle Technology (178°/178°)
- ★ Narrow Bezel, True Flat Projected Capacitive Touch Screen
- ★ 7H Hardness Tempered Cover Glass
- ★ 10 points Multi-touch, Supports NEXTECH Dedicated Stylus
- ★ Integrated USB type-C single-cable connection
- ★ Metal Cabinet with Diverse Combine Options
- ★ Made in Taiwan, 3 Years Warranty, Designed for Harsh Environments
- ★ Optional AG Coating/Antibacterial/Privacy Filter Surface Treatment
- ★ Optional Anti-Glare&UV/Antibacterial/Privacy Filter Surface Treatment



Desktop Stand



Wall Mounting

# Nextech C Series 27" USB type C Industrial Touch Display

**NTSP270NPSCC-V100**

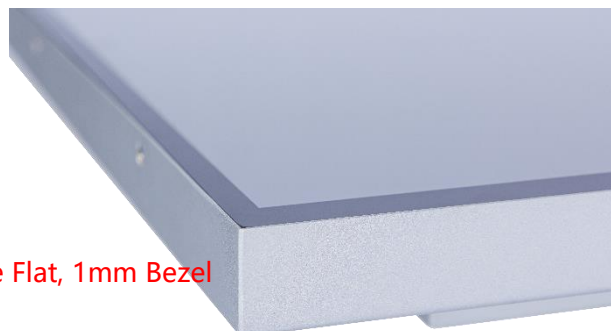
## Display Specifications

Model Name	<b>NTSP270N<u>X</u>SCC-<u>XXXX</u>C0-100*</b>	Display Mode	<b>VA Type, Normally Black</b>
Screen Diagonal	<b>685.6mm (27.0 inch)</b>	Response Time	<b>5 msec.</b>
Display Area	<b>597.6x336.2 mm</b>	Backlight Unit	<b>LED (white LED)</b>
Resolution	<b>1920x1080 (FHD)</b>	Viewing Angle (L/R, U/D)	<b>178°/178° (CR=10)</b>
Contrast Ratio	<b>3000:1</b>	Backlight Lifetime	<b>&gt;30,000 Hours</b>
Display Ratio	<b>16:9</b>	Operating Temp.	<b>0~50°C</b>
Support Color	<b>16.7M Colors</b>	Storage Temp.	<b>-20~60°C</b>
Pixel Pitch	<b>264x264 um</b>	Brightness	<b>250nits</b>

\* X = A~Z, 0~9 (Depends on options)

## Touch Options

Projected Capacitive			
Model Name	NTSP270N <u>P</u> SCC- <u>XXXX</u> C0-100		
Touch Technology	Projected Capacitive	Thickness of Cover Lens	3.0±0.2mm
Allowed Touch Points	10 points	Hardness of Cover Lens	7H
Transparency	≥87%	IK Ratings	IK07
Accuracy	99.00%		



\* True Flat, 1mm Bezel

Non-Touch	
Model Name	NTSP270 <u>X0</u> SCC- <u>XXXX</u> 00-100

## General Options

Surface Treatment		
	Description	Model Name
<b>Standard</b>	<b>(none)</b>	<b>NTSP270NXSCC-<u>00</u>XXC0-100</b>
Option 1	Anti-Glare&UV Coating	NTSP270NXSCC- <u>GG</u> XXC0-100
Option 2	Antibacterial (AB Film)	NTSP270NXSCC- <u>AB</u> XXC0-100
Option 3	Anti-Spy (AS Film)	NTSP270NXSCC- <u>SF</u> XXC0-100

Color of Cabinet		
	Description	Model Name
<b>Standard</b>	<b>Silver</b>	<b>NTSP270NXSCC-XX<u>S</u>XC0-100</b>
Option 1	White	NTSP270NXSCC-XX <u>W</u> XC0-100
Option 2	Black	NTSP270NXSCC-XX <u>B</u> XC0-100
Options	Other Colors	NTSP270NXSCC-XX <u>X</u> XC0-100

\* X = A~Z, 0~9 (Depends on Color)

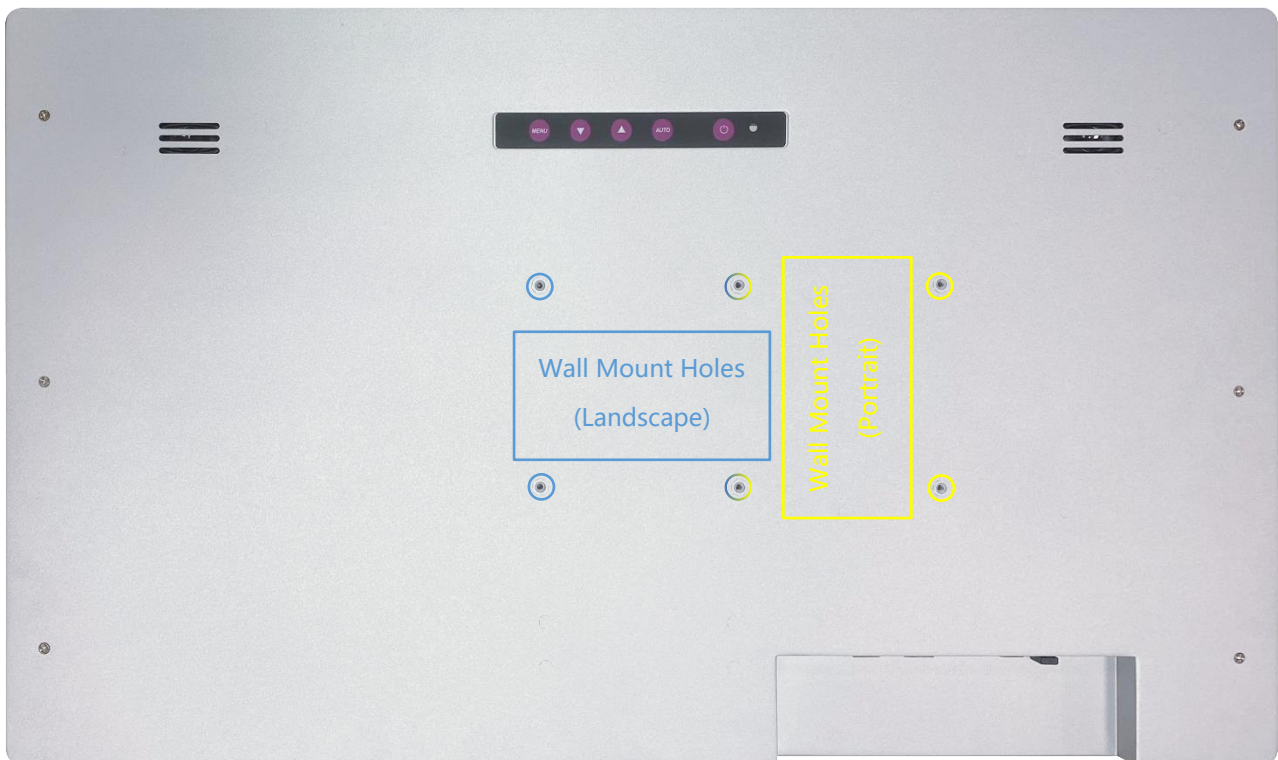
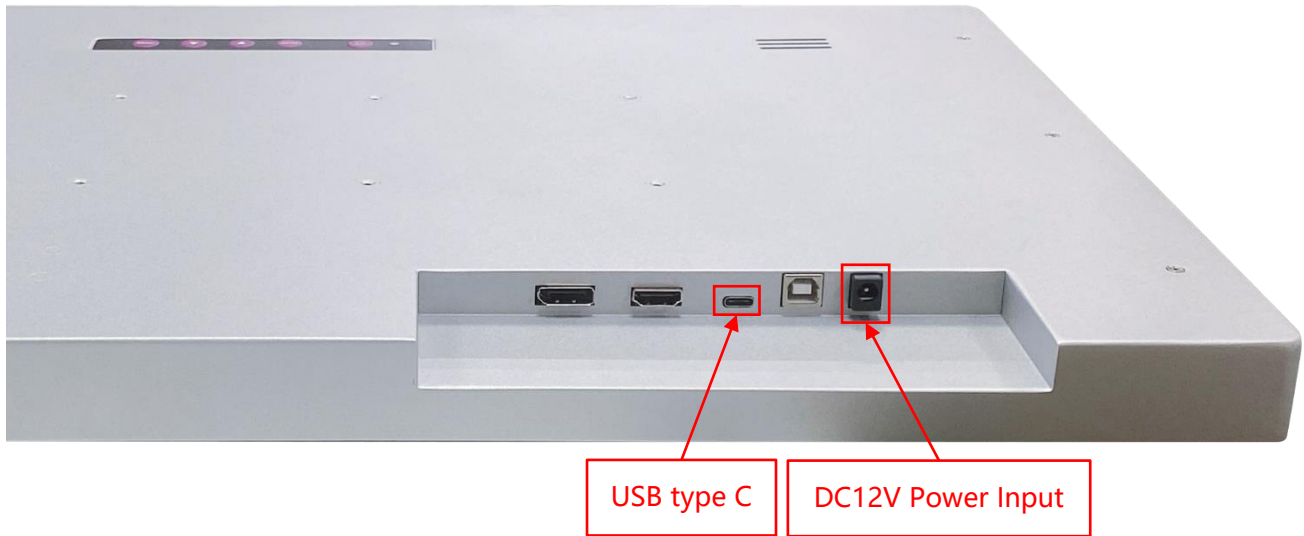
Material of Cabinet		
	Description	Model Name
<b>Standard</b>	<b>SECC</b>	<b>NTSP270NXSCC-XXX<u>S</u>C0-100</b>
Option 1	Stainless Steel	NTSP270NXSCC-XXX <u>L</u> C0-100
Option 2	Aluminum	NTSP270NXSCC-XXX <u>A</u> C0-100

Passive Stylus Pen (Option)	
Technology	Passive High Sensitive Knitted Wire Mesh Fiber Tip
Size of tip	6mm
Magnetic Attachment	Yes



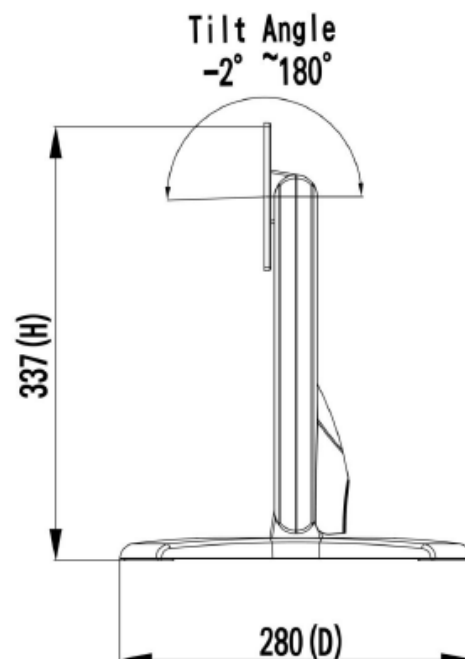
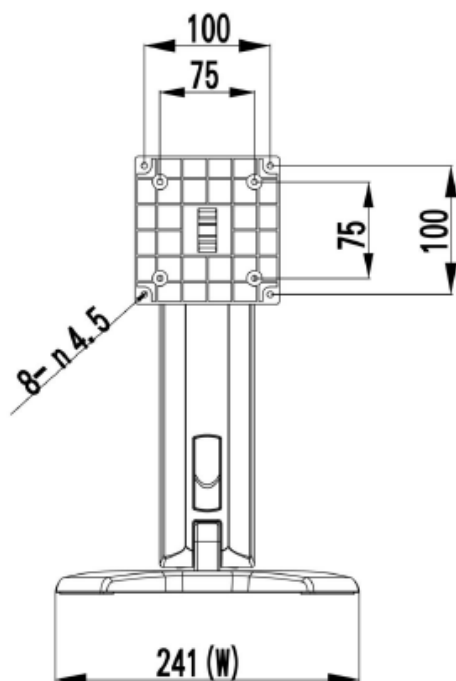
Magnetic Attachment

## Input /Output System

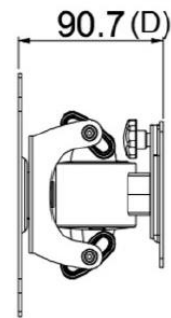
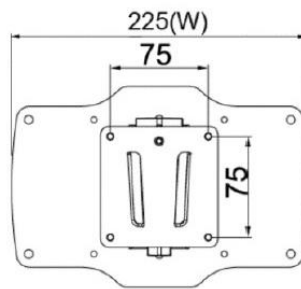
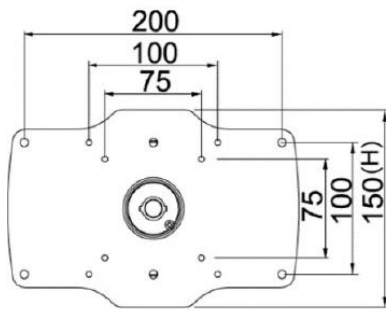


## Desktop Stand (Option)

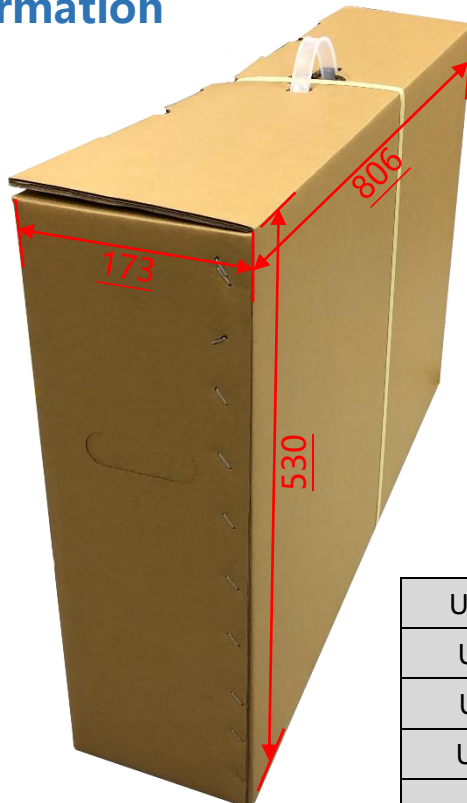
Item	B Stand	Part No.	DST-0B003/DST-1B003
Mounting Pattern	100x100 / 75x75 mm	Dimension (WxHxD)	203x275x227 mm
Material	Steel/Plastic/Aluminum	Net Weight	1.8 KG
Tilt (Hinge)	-2° ~+180°	Support Max. Weight	15 KG



## Wall Mount Bracket (Option)



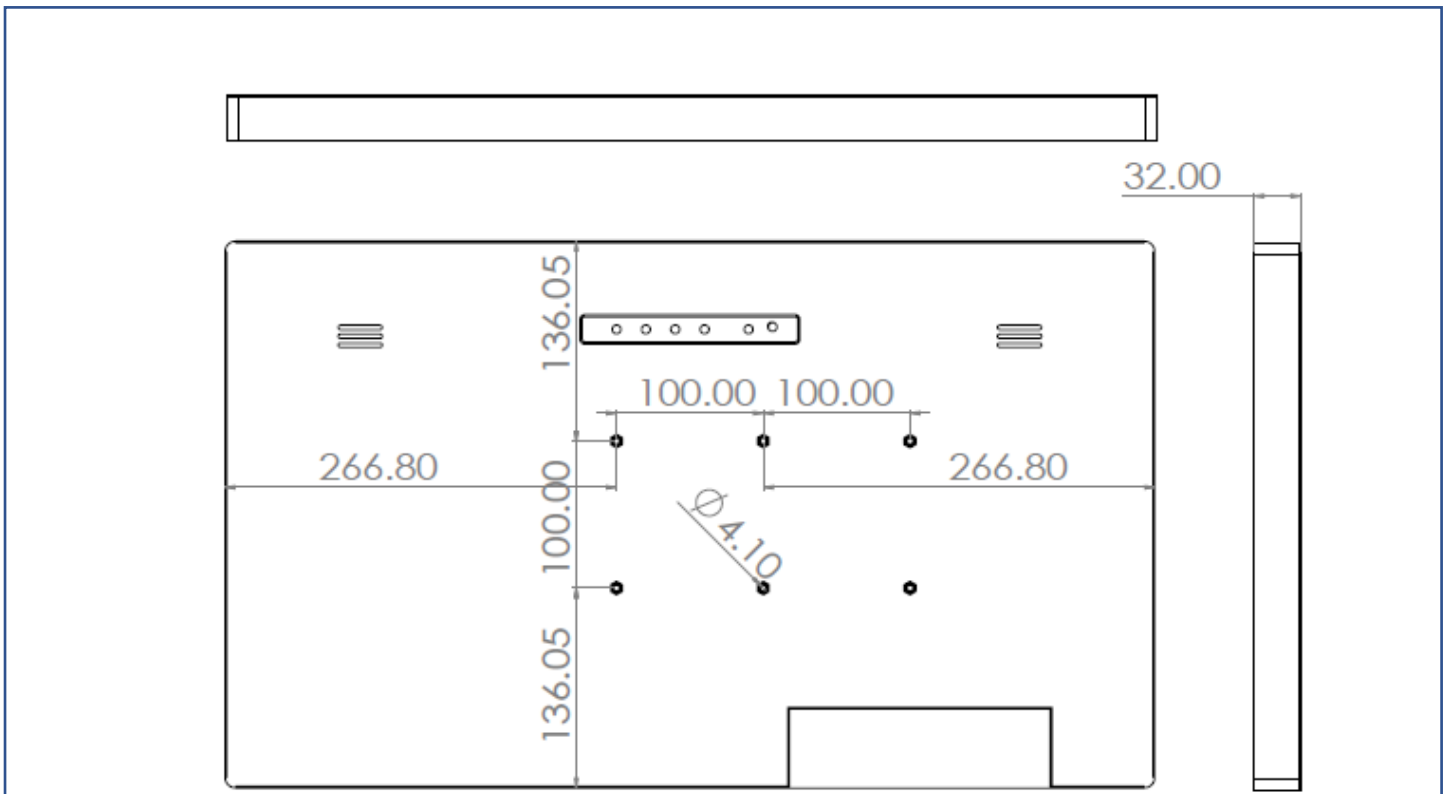
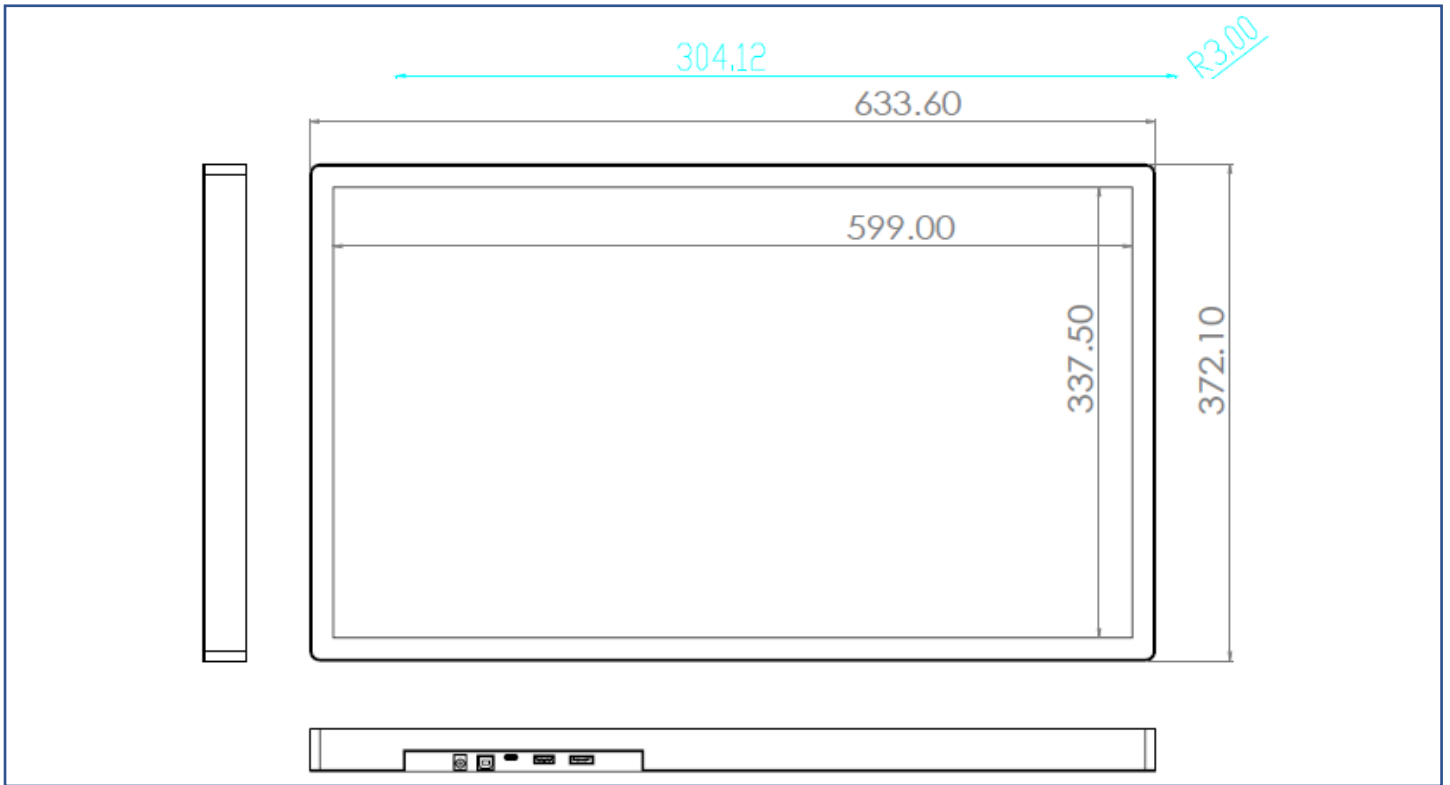
## Packing Information



Unit Carton Size	<b>806x173x530 mm</b>
Unit N. Weight	<b>≤8.0 KG</b>
Unit G. Weight	<b>≤10.3 KG</b>
Units per Pallet	<b>18 units</b>
Pallet Size	<b>120x100x179 CM</b>

## Physical Specifications

Dimension (Max)	<b>633.6x372.1x32(±1)mm</b>	Net Weight	<b>≤8.0 KG</b>
VESA Mounting	<b>100x100 mm</b>	Gross Weight	<b>≤10.3 KG</b>





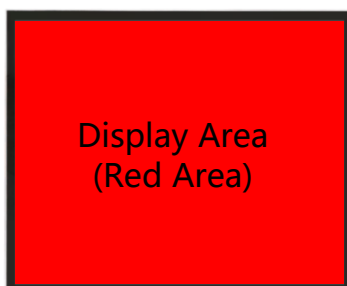
## Cosmetic Inspection Standard

Display Area Allowance			
Defect description	Defective Specifications	Allowance	Remarks
Dot Defect (including dark dot, particles, bubbles, pits, dust, foreign matter)	$D \leq 0.2\text{mm}$	Ignored	D=Diameter
	$0.2 < D \leq 0.7\text{mm}$	$N \leq 5$	N=Quantity
	$0.7 < D \leq 1\text{mm}$	$N \leq 3$	
	$D > 1\text{mm}$	$N \leq 0$	
Linear Defect (including scratches, fluff, particles)	$W \leq 0.15\text{mm}$	Ignored	W=Width
	$0.15 < W \leq 0.5\text{mm}, L \leq 15\text{mm}$	$N \leq 2$	L=Length
	$W > 0.5\text{mm}$ or $L > 15\text{mm}$	NG	

\* Visual inspection distance: 60cm, 90 degree (same for front/side/back)

Front Appearance Allowance (Including Coating)			
Defect description	Defective Specifications	Allowance	Remarks
Dot Defect (including particles, bubbles, pits...etc.)	$D \leq 0.7\text{mm}$	Ignored	D=Diameter
	$0.7 < D \leq 1.5\text{mm}$	$N \leq 3$	N=Quantity
	$D > 1.5\text{mm}$	$N \leq 0$	
Linear Defect (including scratches, fluff, particles)	$W \leq 0.2\text{mm}, L \leq 15\text{mm}$	Ignored	W=Width, L=Length
	$0.2 < W \leq 0.7\text{mm}, L \leq 15\text{mm}$	$N \leq 1$	
	$W > 0.7\text{mm}$ or $L > 15\text{mm}$	NG	

Side / Back Appearance Allowance (Including Coating)			
Defect description	Defective Specifications	Allowance	Remarks
Dot Defect (including particles, bubbles, pits...etc.)	$D \leq 1.5\text{mm}$	Ignored	D=Diameter
	$1.5 < D \leq 3\text{mm}$	$N \leq 8$	N=Quantity
	$D > 3\text{mm}$	$N \leq 2$	
Linear Defect (including scratches, fluff, particles)	$W \leq 0.8\text{mm}, L \leq 15\text{mm}$	Ignored	W=Width, L=Length
	$0.8 < W \leq 1.5\text{mm}, L \leq 15\text{mm}$	$N \leq 5$	
	$W > 1.5\text{mm}$ or $L > 15\text{mm}$	NG	



Display Area  
(Red Area)



Front Appearance (Red Area)



Back Appearance