

# Product Specifications

<b>Customer</b>	
<b>Model</b>	<b>NTSP238-1 V500</b>



Records of Revision			
Vision	Modifying	Old Description	New Description
v2102.1	Preliminary Specifications		
v2102.2	Add the Panel Mount Kits Option		
v2102.3	Modify the Design of the Carton		
v2102.4	Add Stylus Pen Option		
<b>v2102.5</b>	<b>New trademark released</b>		

## Features

- ★ 23.8 inch, 1920x1080 (FHD) Resolution
- ★ VA Wide Viewing Angle Technology (178°/178°)
- ★ Narrow Bezel, True Flat Projected Capacitive Touch Screen
- ★ 7H Hardness Tempered Cover Glass
- ★ 10 points Multi-touch, Supports NEXTECH Dedicated Stylus
- ★ Metal Cabinet with Diverse Combine Options
- ★ Made in Taiwan, 3 Years Warranty
- ★ Optional Video Input (VGA/DVI/HDMI/DP)
- ★ Optional 100~240VAC and 9~36VDC Power Input
- ★ Optional Software Remote Control by RS232 or DDC/CI
- ★ Optional High Brightness 1500nits, for Outdoor Environment
- ★ Optional Auto Dimming Function (with Light Sensor)
- ★ Optional AG Coating/Antibacterial/Privacy Filter Surface Treatment



PSE



BSMI



RoHS



CE



ISO9001



FCC



Desktop Stand



Wall Mounting



Open-frame Brackets



Panel Mount

## Display Specifications

Model Name	NTSP238 <del>XSXX-XXXXXX</del> -500*	Display Mode	VA Mode, Normally Black
Screen Diagonal	23.8 inch	Response Time	16 msec.
Display Area	527.04x296.46 mm	Backlight Unit	LED (white LED)
Resolution	1920x1080 (FHD)	Viewing Angle (L/R, U/D)	178°/178° (CR=10)
Contrast Ratio	3000:1	Backlight Lifetime	>30,000 Hours
Display Ratio	16:9	Operating Temp.	0~50°C
Support Colors	16.7M Colors	Storage Temp.	-20~60°C
Pixel Pitch	274.5x274.5 um	Surface Treatment	Anti-glare, Hardness 3H

\* X = A~Z, 0~9 (Depends on options)

## Display Options

Brightness			
	Brightness	Environment	Model Name
Standard	250nits	General (Indoor)	NTSP238 <del>NXSXX-XXXXXX</del> -500
Option 1	1000nits	Outdoor Environment	NTSP238 <del>AXSXX-XXXXXF</del> -500
Option 2	1500nits *	Sunlight Readable	NTSP238 <del>FX2XX-XXXXXF</del> -500

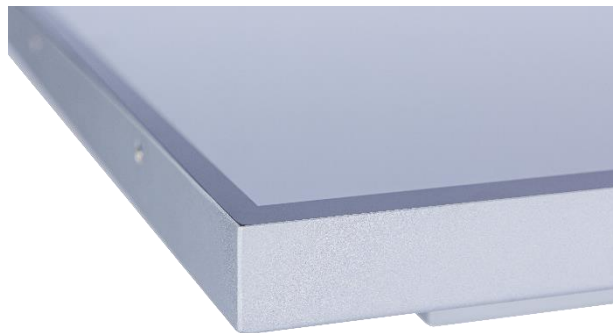
\* Check the data sheets: NTSP238-2 V500

## Accessories

Item	Description	Quantity
HDMI Cable	Male to Male, 1.8 Meter	1
AC-DC Adapter	12V with CE/FCC/CCC/UL/RoHS/PSE/JET Certification	1
Power Cord	*Country Specific	1
USB Cable	A type, Male to Male, 1.8 Meter *(only for touch monitor)	1

## Touch Options

Projected Capacitive			
Model Name	NTSP238X <u>P</u> SXX-XXXXX-500		
Touch Technology	Projected Capacitive	Transparency	≥87%
Allowed Touch Points	10 points	Accuracy	99.00%
Interface	USB/RS232 (Option)	Thickness of Cover Lens	2.9±0.2mm
IK Ratings	IK07	Hardness of Cover Lens	7H



\* True Flat, 1mm Bezel

Non-Touch	
Model Name	NTSP238X <u>0</u> SXX-XXXX0X-500

Passive Stylus Pen (Option)	
Technology	Passive High Sensitive Knitted Wire Mesh Fiber Tip
Size of tip	6mm
Magnetic Attachment	Yes



Magnetic Attachment

## General Options

Video Input		
	Description	Model Name
<b>Standard</b>	<b>VGA+HDMI+DP</b>	<b>NTSP238XXS3X-XXXXXX-500</b>
Option	VGA+DVI	NTSP238XXS41-XXXXXX-500



VGA+HDMI+DP

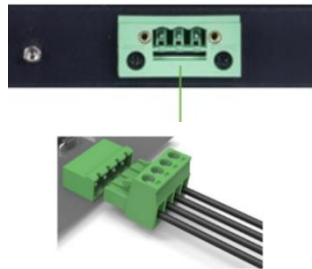


VGA+DVI

Power Input		
	Description	Model Name
<b>Standard</b>	<b>12V, Lockable DC Jack <math>\Phi</math>2.1mm</b>	<b>NTSP238XXS32-XXXXXX-500</b>
Option 1	12VDC, DC Jack $\Phi$ 2.1mm	NTSP238XXS41-XXXXXX-500
Option 2	9~36VDC, Phoenix Terminal Block	NTSP238XXS3P-XXXXXX-500
Option 3	100~240VAC, C14 Female Socket	NTSP238XXS3A-XXXXXX-500



Lockable DC Power Jack



Phoenix Terminal Block



C14 AC Socket

Surface Treatment		
	Description	Model Name
<b>Standard</b>	<b>(none)</b>	<b>NTSP238XXSXX-00XXXX-500</b>
Option 1	Anti-Glare Coating	NTSP238XXSXX-GGXXXX-500
Option 2	Antibacterial (AB Film)	NTSP238XXSXX-ABXXXX-500
Option 3	Anti-Spy (AS Film)	NTSP238XXSXX-SFXXXX-500

## General Options (Continued)

Color of Cabinet		
	Description	Model Name
<b>Standard</b>	<b>Black</b>	<b>NTSP238XXSXX-XXBXXX-500</b>
Option 1	White	NTSP238XXSXX-XXWXXX-500
Option 2	Silver	NTSP238XXSXX-XXSXXX-500
Options	Other Colors	NTSP238XXSXX-XXXXXX-500

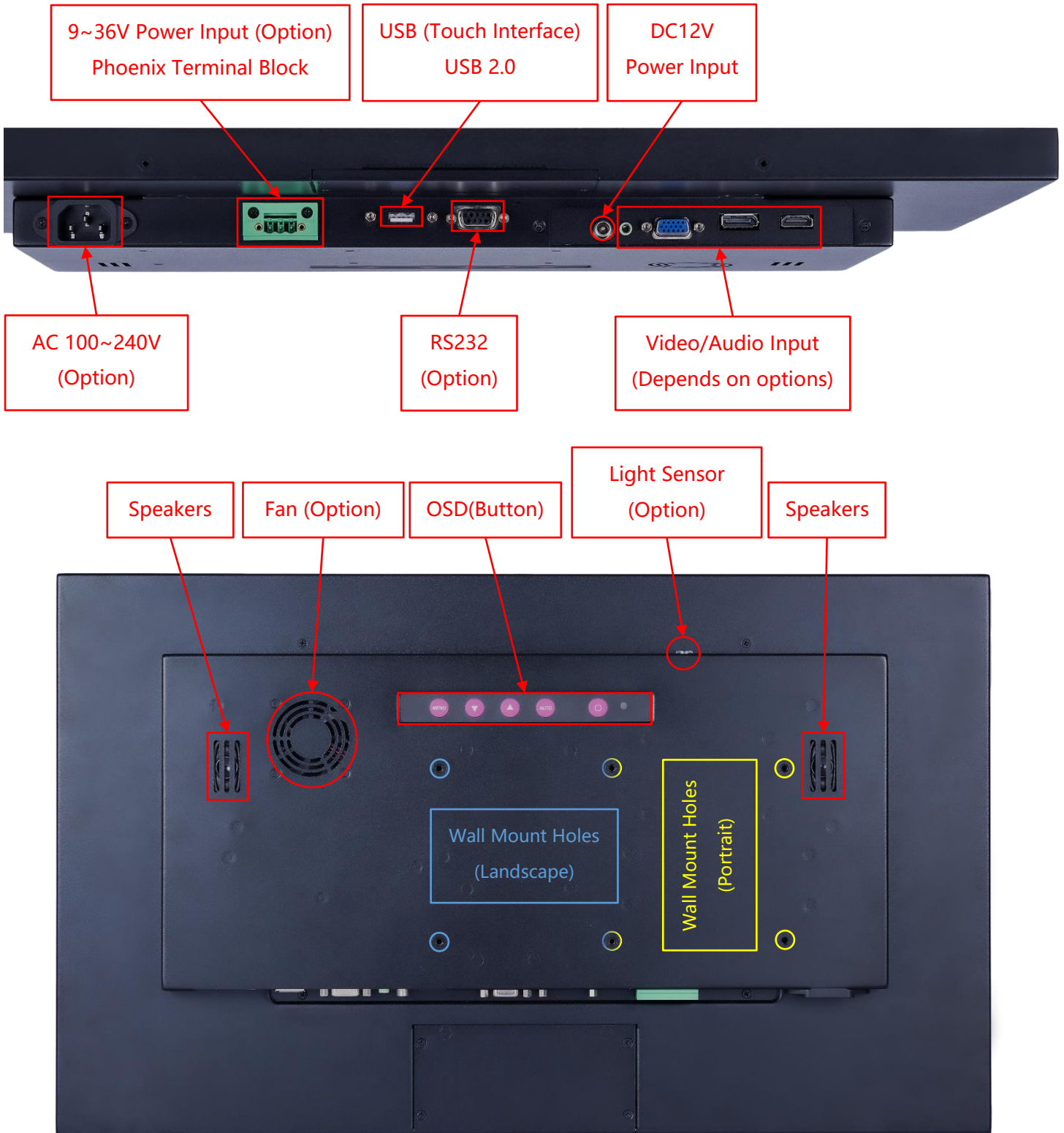
\* X = A~Z, 0~9 (Depends on Color)

Material of Cabinet		
	Description	Model Name
<b>Standard</b>	<b>SECC</b>	<b>NTSP238XXSXX-XXXSXX-500</b>
Option 1	Stainless Steel	NTSP238XXSXX-XXXLXX-500
Option 2	Aluminum	NTSP238XXSXX-XXXAXX-500

Touch Interface		
	Description	Model Name
<b>Standard</b>	<b>USB</b>	<b>NTSP238XPSXX-XXXXUX-500</b>
Option 1	RS232	NTSP238XPSXX-XXXXRX-500
Option 2	Non-Touch	NTSP238X0SXX-XXXX0X-500

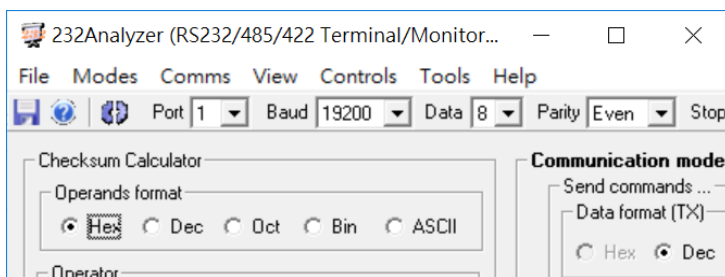
Cooling Fan		
	Description	Model Name
<b>Standard</b>	<b>Fanless</b>	<b>NTSP238XXSXX-XXXXX0-500</b>
Option	7 Blades/4000r.p.m/28.3dB	NTSP238XXSXX-XXXXXF-500

## Input /Output System

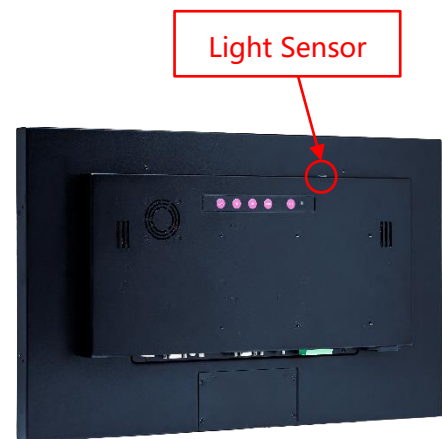


## Other Options

OSD Control		
	Item	Description
<b>Standard</b>	<b>Button</b>	<b>Rear Physical Button</b>
Option 1	Software Remote Control	Software Remote Control by RS232/Serial Port
Option 2	Auto Dimming	Auto Brightness Adjusting by Light Sensor



\* Software Remote Control

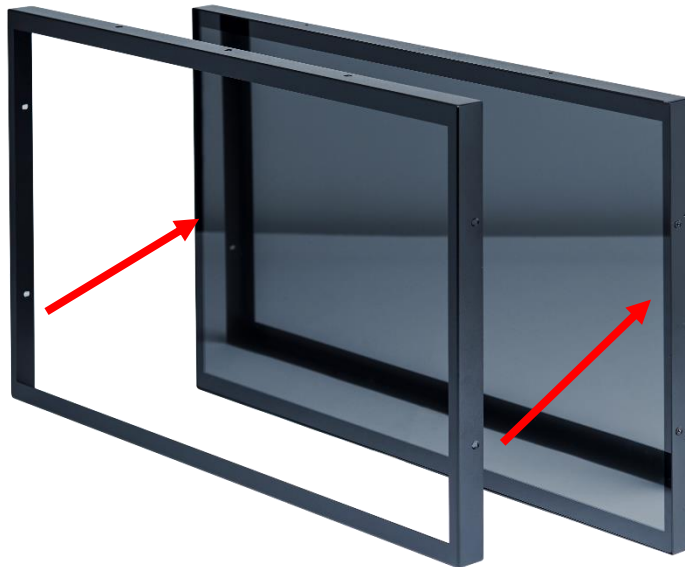


## Supported OS

Windows	<b>Win7, Win8, Win10, Win11 ↑</b>
Linux	<b>Kernel 2.6.24 ↑</b>
Android	<b>3.0 ↑</b>
Mac	<b>10.5.x ↑ (Intel CPU)</b>



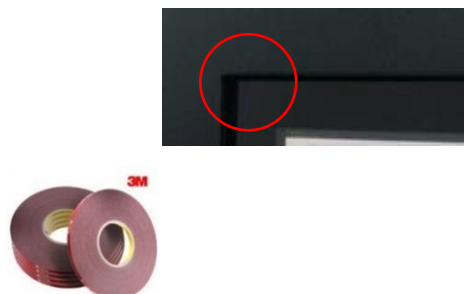
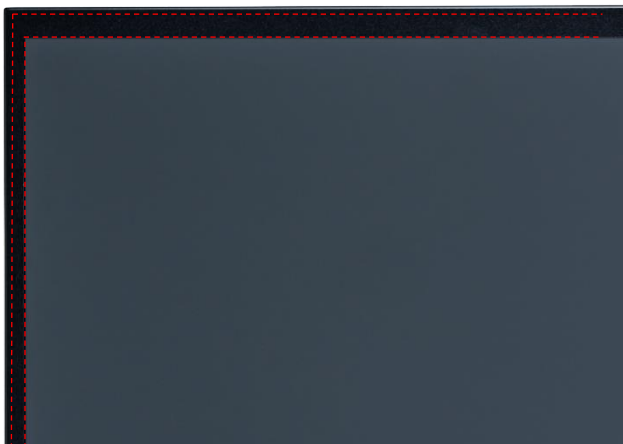
## Front Cover (Option)



The standard **NTSP238** is true flat surface, with only 1mm metal bezel. To protect the corners of the touch screen, the **Front Cover** can be added.



The watertight gasket can be added between the **Front Cover** and **NTSP238**. It complies **IP65** on front.



**Desktop Stand (Option)**

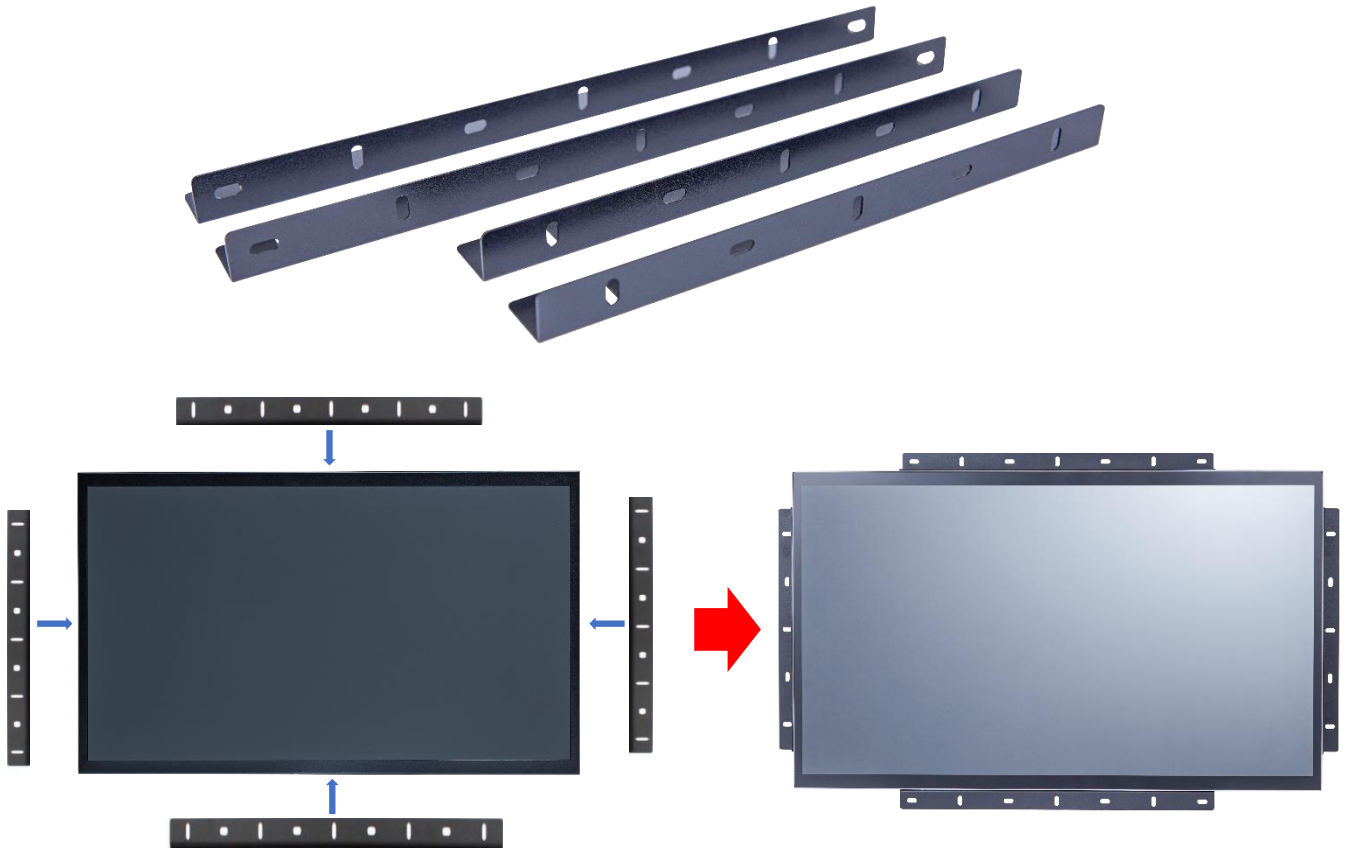
Item	B Stand	Part No.	DST-0B002/DST-1B002
Mounting Pattern	100x100 / 75x75 mm	Dimension (WxHxD)	203x275x227 mm
Material	Steel/Plastic/Aluminum	Net Weight	1.8 KG
Tilt (Hinge)	-2° ~ +180°	Support Max. Weight	15 KG



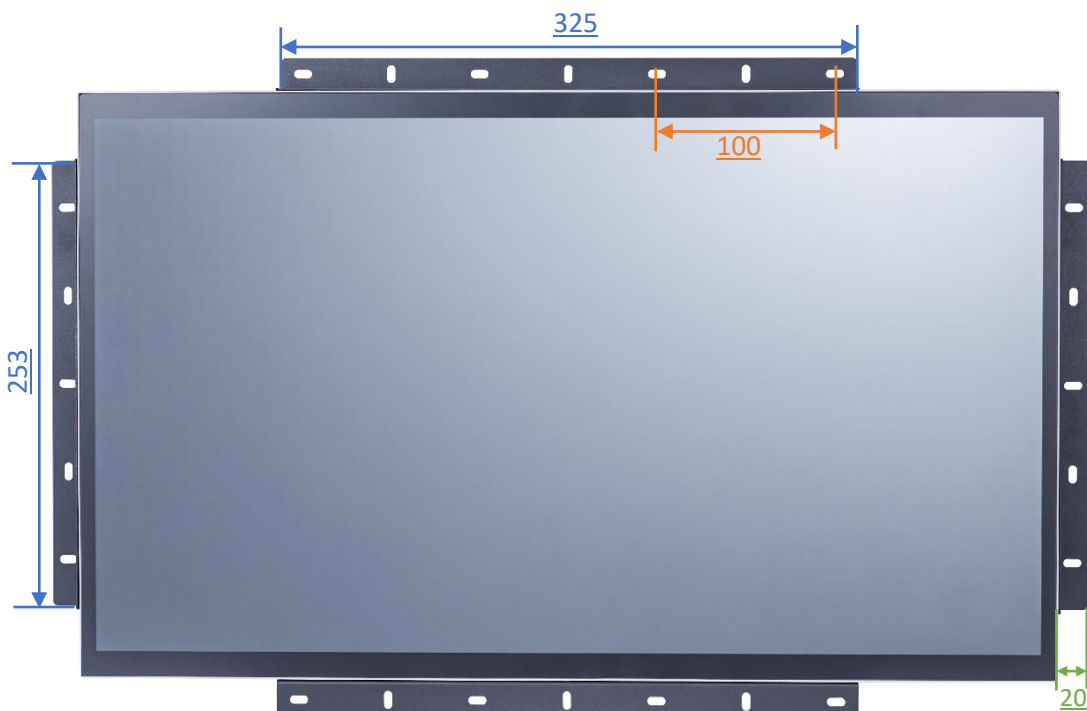
Item	Z Stand	Part No.	DST-0BZ01/DST-1BZ01
Mounting Pattern	100x100 / 75x75 mm	Dimension (WxHxD)	190x240x41.6
Material	SECC	Net Weight	2.6 KG
Tilt (Hinge)	±360°	Support Max. Weight	15 KG



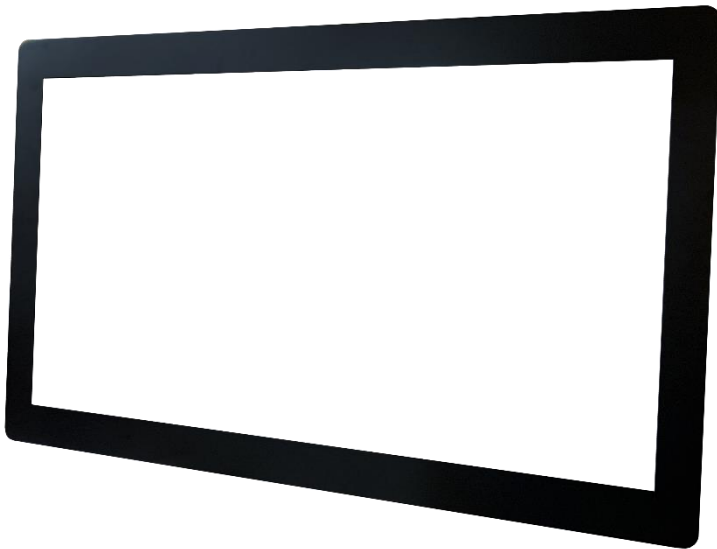
## Open-frame Brackets (Option)



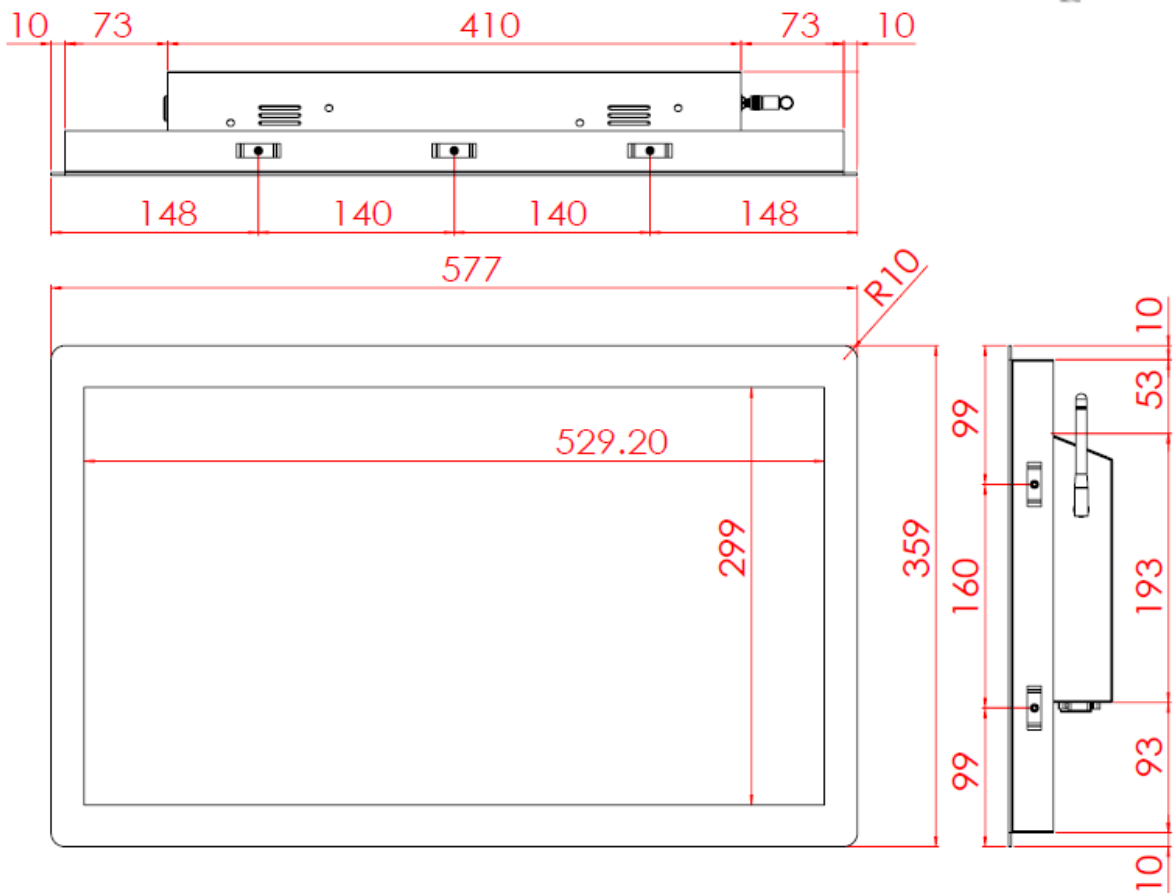
### Dimension for Installing with Open-frame Brackets



Panel Mount Kits (Option)

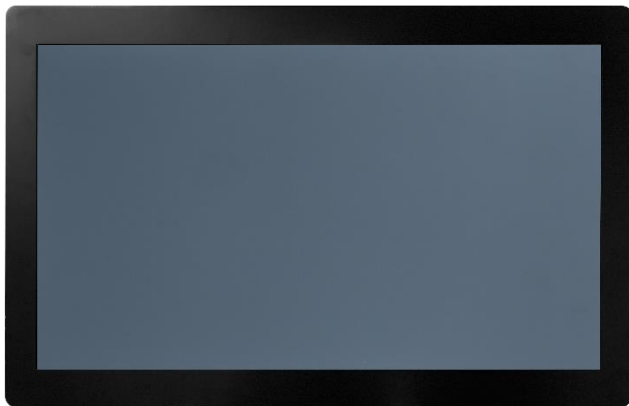


Dimension for Installing with Panel Mount Kits

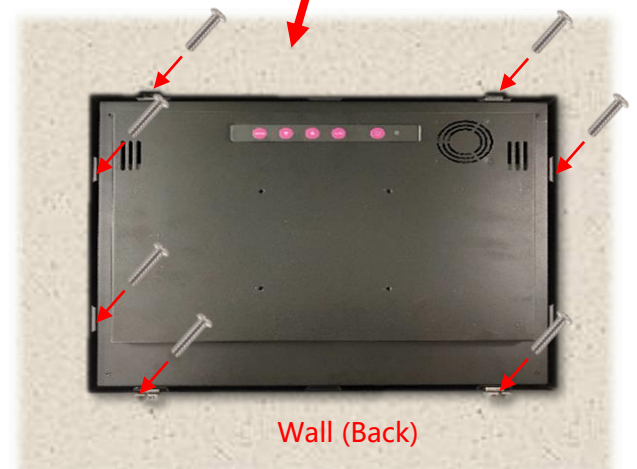




Step 1: Assemble the front module with the screen body. (This step is pre-assembled at the factory.)

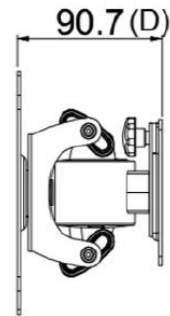
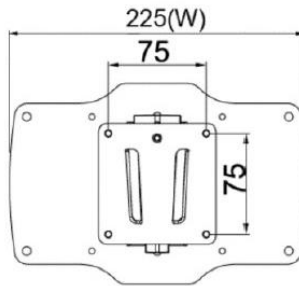
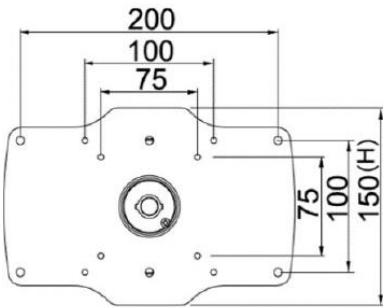


Step 2: Insert the screen from the front into the pre-cut opening.



Step 3: Attach the clips from the back and secure with screws. (Up to 9 clips can be installed as needed or per positional limitations.)

**Wall Mount Bracket (Option)**



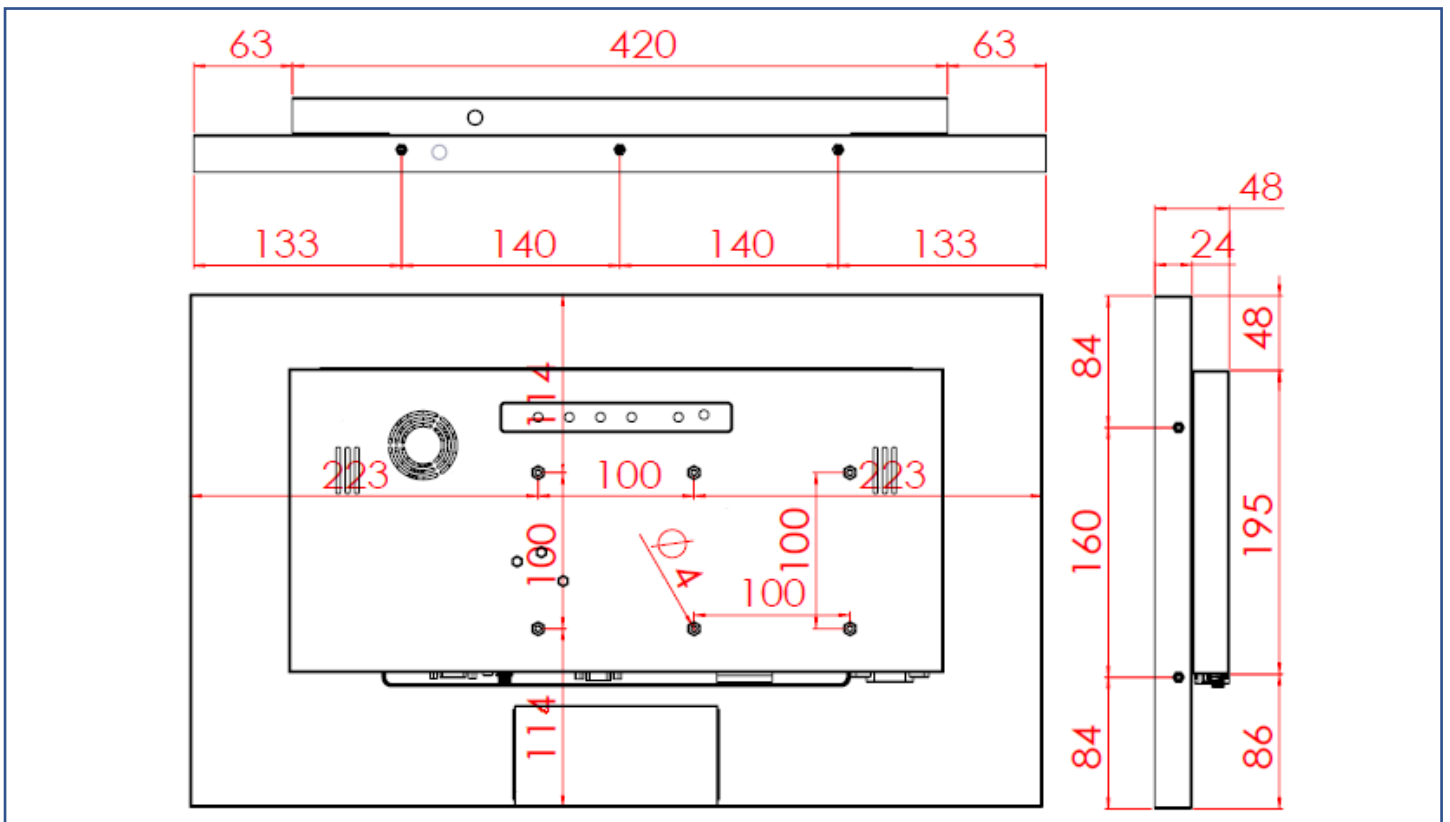
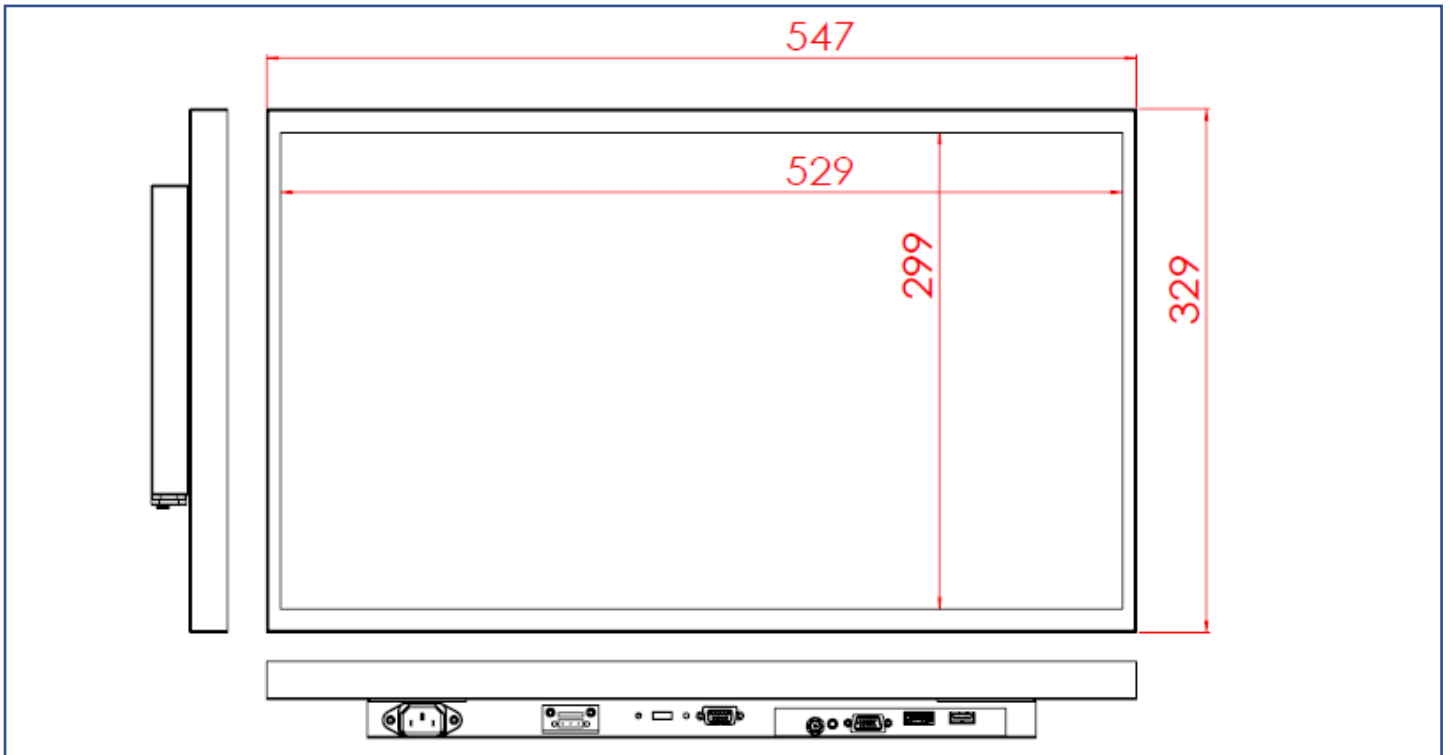
**Packing Information**



Unit Carton Size	<b>665x160x510 mm</b>
Unit N. Weight	<b>≤5.4 KG</b>
Unit G. Weight	<b>≤7.6 KG</b>
Units per Pallet	<b>30 units</b>
Pallet Size	<b>120x100x171 CM</b>

## Physical Specifications

Dimension (Max)	<b>547x329x48(±2)mm</b>	Net Weight	<b>≤5.4 KG</b>
VESA Mounting	<b>100x100 mm</b>	Gross Weight	<b>≤7.6 KG</b>



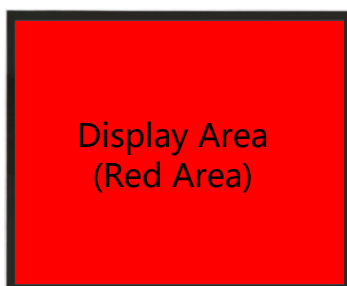
## Cosmetic Inspection Standard

Display Area Allowance			
Defect description	Defective Specifications	Allowance	Remarks
Dot Defect (including dark dot, particles, bubbles, pits, dust, foreign matter)	$D \leq 0.2\text{mm}$	Ignored	D=Diameter
	$0.2 < D \leq 0.7\text{mm}$	$N \leq 5$	N=Quantity
	$0.7 < D \leq 1\text{mm}$	$N \leq 3$	
	$D > 1\text{mm}$	$N \leq 0$	
Linear Defect (including scratches, fluff, particles)	$W \leq 0.15\text{mm}$	Ignored	W=Width
	$0.15 < W \leq 0.5\text{mm}, L \leq 15\text{mm}$	$N \leq 2$	L=Length
	$W > 0.5\text{mm}$ or $L > 15\text{mm}$	NG	

\* Visual inspection distance: 60cm, 90 degree (same for front/side/back)

Front Appearance Allowance (Including Coating)			
Defect description	Defective Specifications	Allowance	Remarks
Dot Defect (including particles, bubbles, pits...etc.)	$D \leq 0.7\text{mm}$	Ignored	D=Diameter
	$0.7 < D \leq 1.5\text{mm}$	$N \leq 3$	N=Quantity
	$D > 1.5\text{mm}$	$N \leq 0$	
Linear Defect (including scratches, fluff, particles)	$W \leq 0.2\text{mm}, L \leq 15\text{mm}$	Ignored	W=Width, L=Length
	$0.2 < W \leq 0.7\text{mm}, L \leq 15\text{mm}$	$N \leq 1$	
	$W > 0.7\text{mm}$ or $L > 15\text{mm}$	NG	

Side / Back Appearance Allowance (Including Coating)			
Defect description	Defective Specifications	Allowance	Remarks
Dot Defect (including particles, bubbles, pits...etc.)	$D \leq 1.5\text{mm}$	Ignored	D=Diameter
	$1.5 < D \leq 3\text{mm}$	$N \leq 8$	N=Quantity
	$D > 3\text{mm}$	$N \leq 2$	
Linear Defect (including scratches, fluff, particles)	$W \leq 0.8\text{mm}, L \leq 15\text{mm}$	Ignored	W=Width, L=Length
	$0.8 < W \leq 1.5\text{mm}, L \leq 15\text{mm}$	$N \leq 5$	
	$W > 1.5\text{mm}$ or $L > 15\text{mm}$	NG	



Display Area  
(Red Area)



Front Appearance (Red Area)



Back Appearance