

Product Specifications

Customer	
Model	NTSP190-2 V500



Records of Revision			
Vision	Modifying	Old Description	New Description
v2002.1	Preliminary Specifications		
v2002.2	Update the Packing Information		
v2002.3	1. Modify the Default of Video Input 2. Define the Cosmetic Inspection Standard	VGA+DVI	VGA+HDMI+DP
v2002.4	Modify Dimensions		
v2002.5	Add the Panel Mount Kits Option		
v2002.6	Modify the Design of Carton		
v2002.7	Add Stylus Pen Option		
v2007.8	New trademark released		

Features

- ★ 19 inch Industrial Grade Panel, 1280x1024 Resolution
- ★ Wide Operating Temperature Range -30~85°C
- ★ Narrow Bezel, True Flat Projected Capacitive Touch Screen
- ★ 7H Hardness Tempered Cover Glass
- ★ 10 points Multi-touch, Supports NEXTECH Dedicated Stylus
- ★ Metal Cabinet with Diverse Combine Options
- ★ Made in Taiwan, 3 Years Warranty, Designed for Harsh Environments
- ★ Optional Video Input (VGA/DVI/HDMI/DP)
- ★ Optional Software Remote Control by RS232 or DDC/CI
- ★ Optional 9~36VDC Power Input
- ★ Optional High Brightness 1500nits, for Outdoor Environment
- ★ Optional Auto Dimming Function (with Light Sensor)
- ★ Optional AG Coating/Antibacterial/Privacy Filter Surface Treatment



Desktop Stand



Wall Mounting



Open-frame Bracket



Panel Mount

Display Specifications

Model Name	NTSP190XX2XX-XXXXXX-500*	Display Mode	TN Mode, Normally White
Screen Diagonal	482.6 mm (19.0 inch)	Response Time	10 msec.
Display Area	376.3x301.1 mm	Backlight Unit	LED (white LED)
Resolution	1280x1024 (SXGA)	Viewing Angle (L/R, U/D)	170°/160°
Contrast Ratio	1000:1	Backlight Lifetime	>50,000 Hours
Display Ratio	4:3	Operating Temp.	-30~85°C
Support Colors	16.7M Colors	Storage Temp.	-30~85°C
Pixel Pitch	0.294x0.294 mm		

* X = A~Z, 0~9 (Depends on options)

Display Options

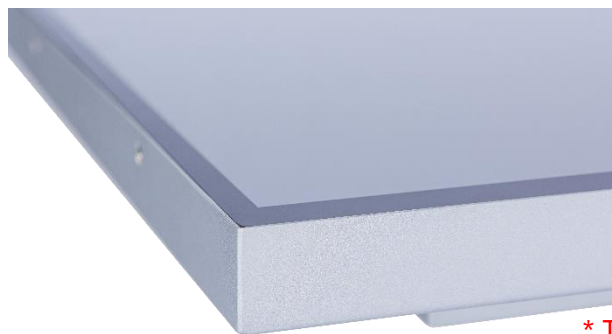
Brightness			
	Brightness	Environment	Model Name
Standard	350nits	General (Indoor)	NTSP190NX2XX-XXXXXX-500
Option 1	1000nits	Outdoor Environment	NTSP190AX2XX-XXXXXF-500
Option 2	1500nits	Sunlight Readable	NTSP190FX2XX-XXXXXF-500

Accessories

Item	Description	Quantity
HDMI Cable	Male to Male, 1.8 Meter	1
AC-DC Adapter	12V with CE/FCC/CCC/UL/RoHS/PSE/JET Certification	1
Power Cord	*Country Specific	1
USB Cable	A type, Male to Male, 1.8 Meter *(only for touch monitor)	1

Touch Options

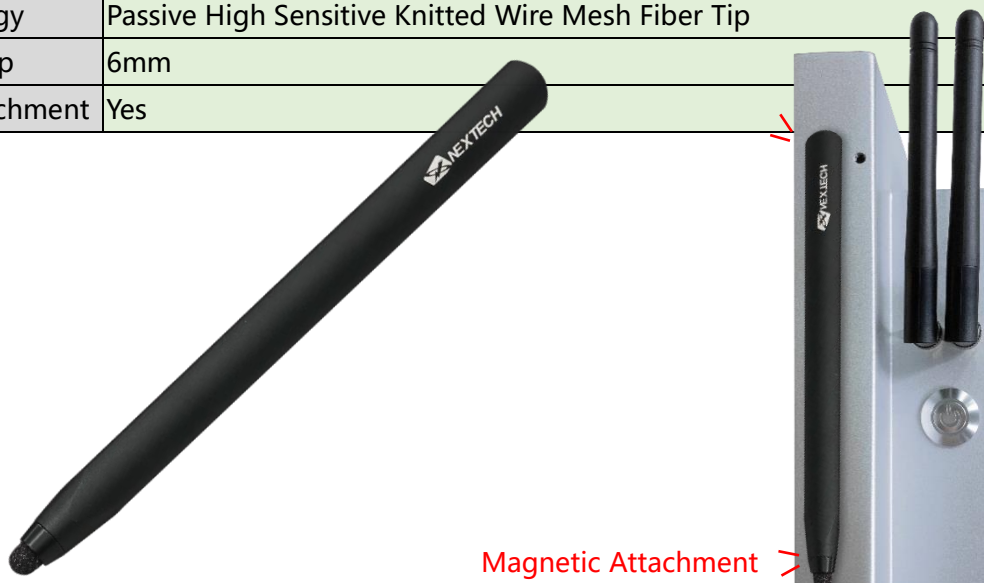
Projected Capacitive			
Model Name	NTSP190X <u>P</u> 2XX-XXXXXX-500		
Touch Technology	Projected Capacitive	Transparency	≥87%
Allowed Touch Points	10 points	Accuracy	99.00%
Transparency	USB/RS232 (Option)	Thickness of Cover Lens	1.8±0.2mm
Accuracy	IK07	Hardness of Cover Lens	7H



* True Flat, 1mm Bezel

Non-Touch	
Model Name	NTSP190X <u>0</u> 2XX-XXXX0X-500

Passive Stylus Pen (Option)	
Technology	Passive High Sensitive Knitted Wire Mesh Fiber Tip
Size of tip	6mm
Magnetic Attachment	Yes



Magnetic Attachment

General Options

Video Input		
	Description	Model Name
Standard	VGA+HDMI+DP	NTSP190XX2<u>3</u>X-XXXXXX-500
Option	VGA+DVI	NTSP190XX2 <u>1</u> 1-XXXXXX-500



VGA+HDMI+DP

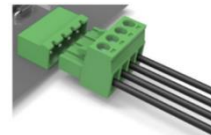


VGA+DVI

Power Input		
	Description	Model Name
Standard	12V, Lockable DC Jack Φ2.1mm	NTSP190XX2<u>3</u>2-XXXXXX-500
Option 1	12VDC, DC Jack Φ 2.1mm	NTSP190XX2 <u>1</u> 1-XXXXXX-500
Option 2	9~36VDC, Phoenix Terminal Block	NTSP190XX2 <u>3</u> P-XXXXXX-500



Lockable DC Power Jack



Phoenix Terminal Block

Surface Treatment		
	Description	Model Name
Standard	(none)	NTSP190XX2XX-<u>00</u>XXXX-500
Option 1	Anti-Glare Coating	NTSP190XX2XX- <u>GG</u> XXXX-500
Option 2	Antibacterial (AB Film)	NTSP190XX2XX- <u>AB</u> XXXX-500
Option 3	Anti-Spy (AS Film)	NTSP190XX2XX- <u>SF</u> XXXX-500

General Options (Continued)

Color of Cabinet		
	Description	Model Name
Standard	Black	NTSP190XX2XX-XXBXXX-500
Option 1	White	NTSP190XX2XX-XXWXXX-500
Option 2	Silver	NTSP190XX2XX-XXSXXX-500
Options	Other Color	NTSP190XX2XX-XXXXXX-500

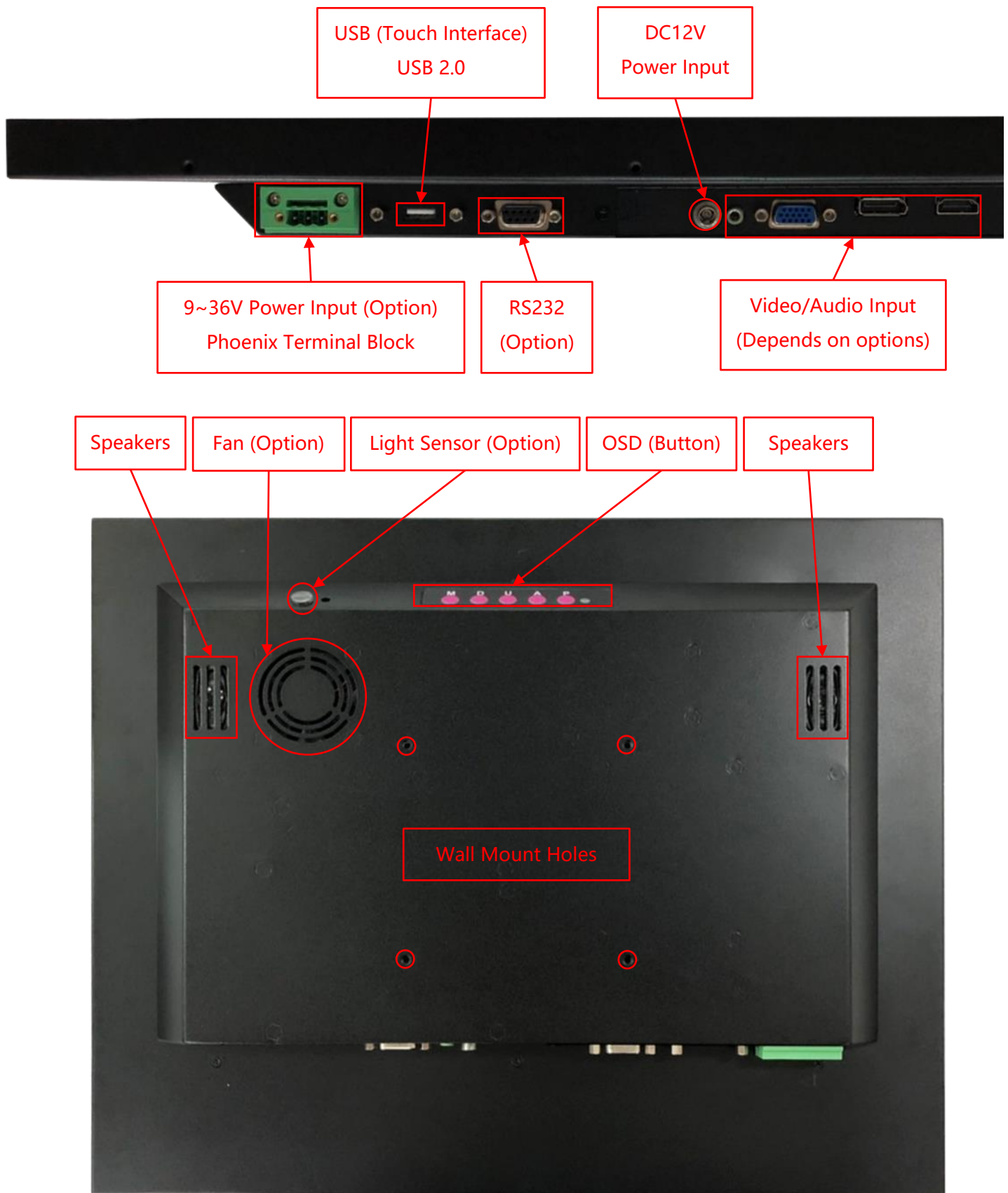
* X = A~Z, 0~9 (Depends on Color)

Material of Cabinet		
	Description	Model Name
Standard	SECC	NTSP190XX2XX-XXXSXX-500
Option 1	Stainless Steel	NTSP190XX2XX-XXXLXX-500
Option 2	Aluminum	NTSP190XX2XX-XXXAXX-500

Touch Interface		
	Description	Model Name
Standard	USB	NTSP190XP2XX-XXXXUX-500
Option 1	RS232	NTSP190XP2XX-XXXXRX-500
Option 2	Non-Touch	NTSP190X02XX-XXXX0X-500

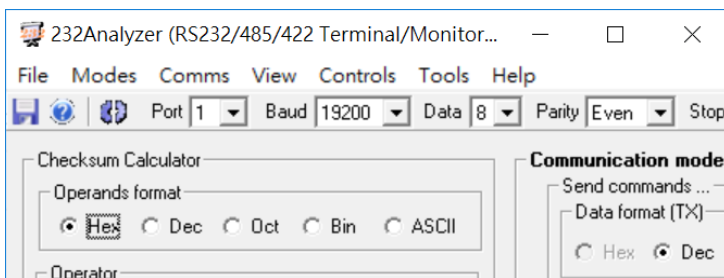
Cooling Fan		
	Description	Model Name
Standard	Fanless	NTSP190XX2XX-XXXXX0-500
Option	7 Blades/4000r.p.m/28.3dB	NTSP190XX2XX-XXXXXF-500

Input /Output System

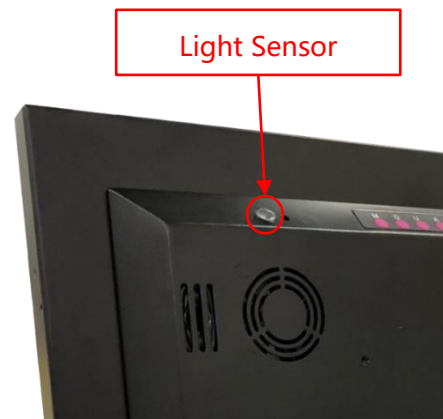


Other Options

OSD Control		
	Item	Description
Standard	Button	Rear Physical Button
Option 1	Software Remote Control	Software Remote Control by RS232/Serial Port
Option 2	Auto Dimming	Auto Brightness Adjusting by Light Sensor



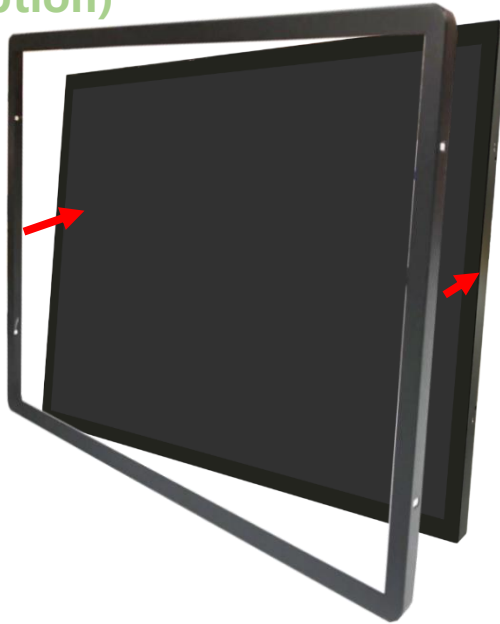
* Software Remote Control



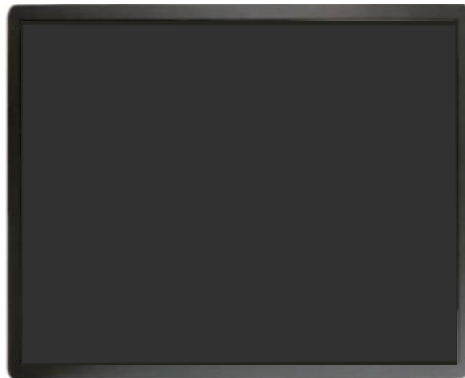
Supported OS

Windows	Win7, Win8, Win10, Win11 ↑
Linux	Kernel 2.6.24 ↑
Android	3.0 ↑
Mac	10.5.x ↑ (Intel CPU)

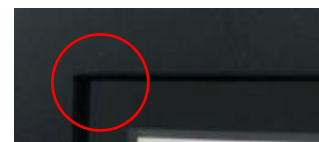
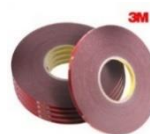
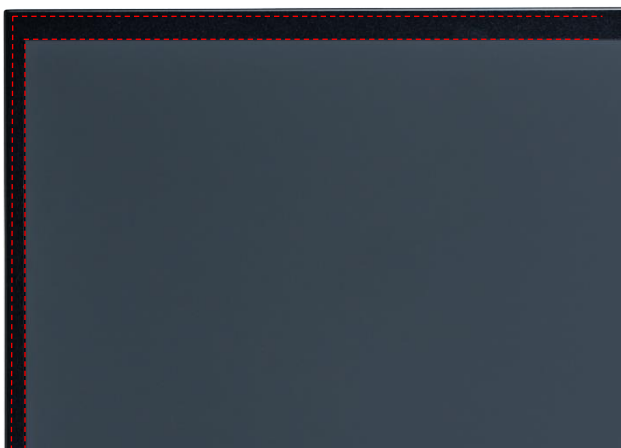
Front Cover (Option)



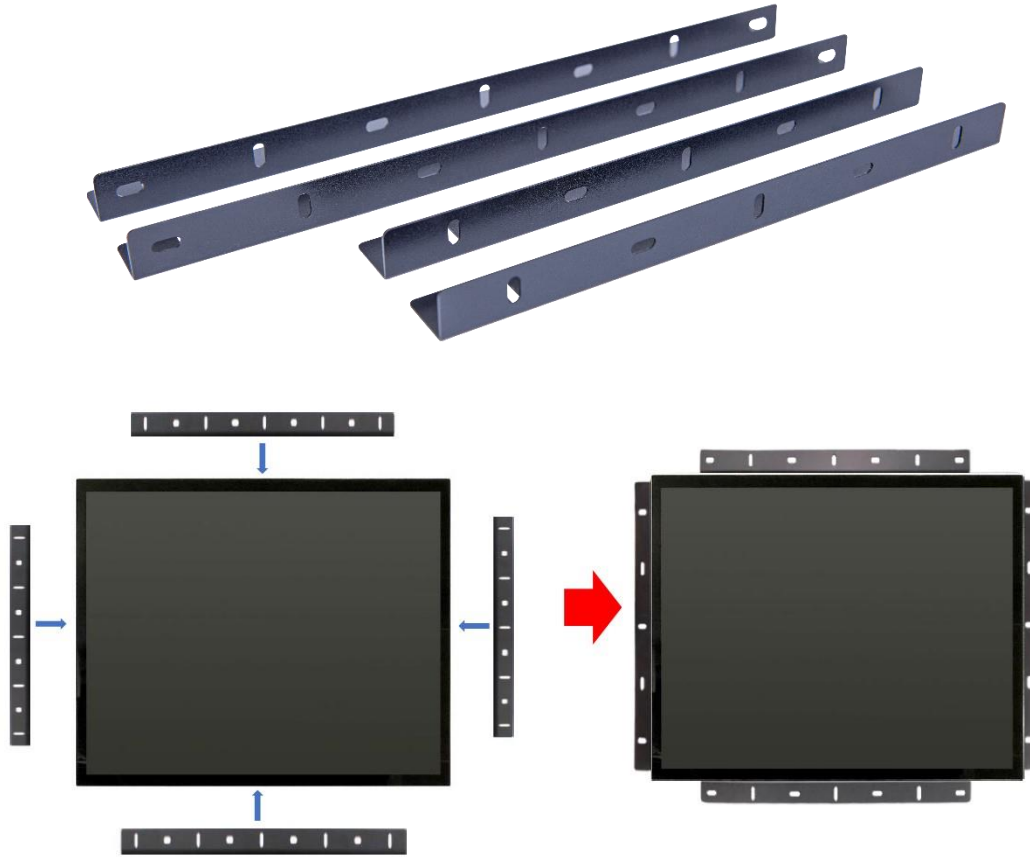
The standard **NTSP190** is true flat surface, with only 1mm metal bezel.
To protect the corners of the touch screen, the **Front Cover** can be added.



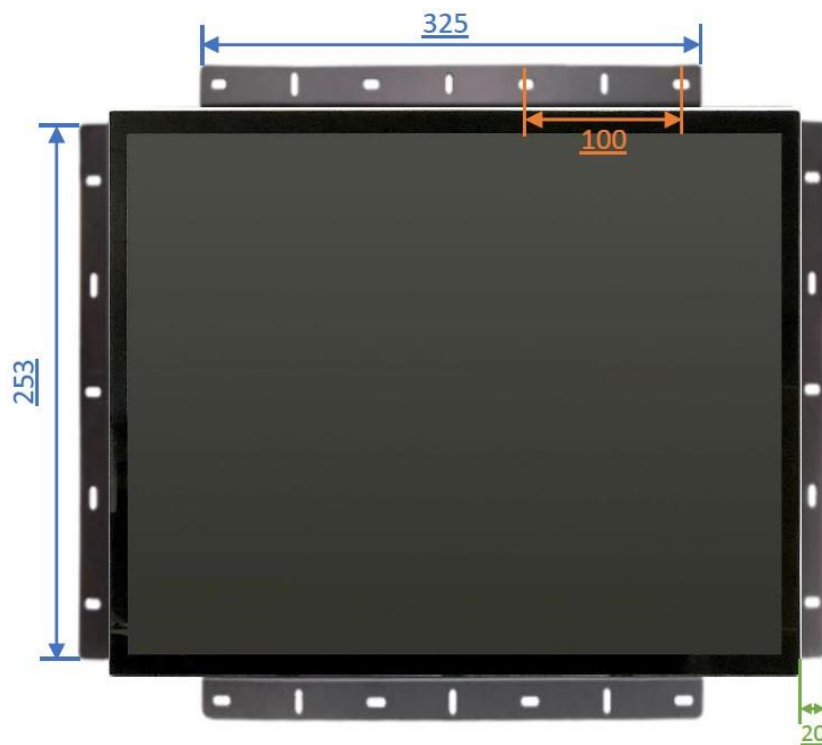
The watertight gasket can be added between the **Front Cover** and **NTSP190**.
It complies **IP65** on front.



Open-frame Brackets (Option)



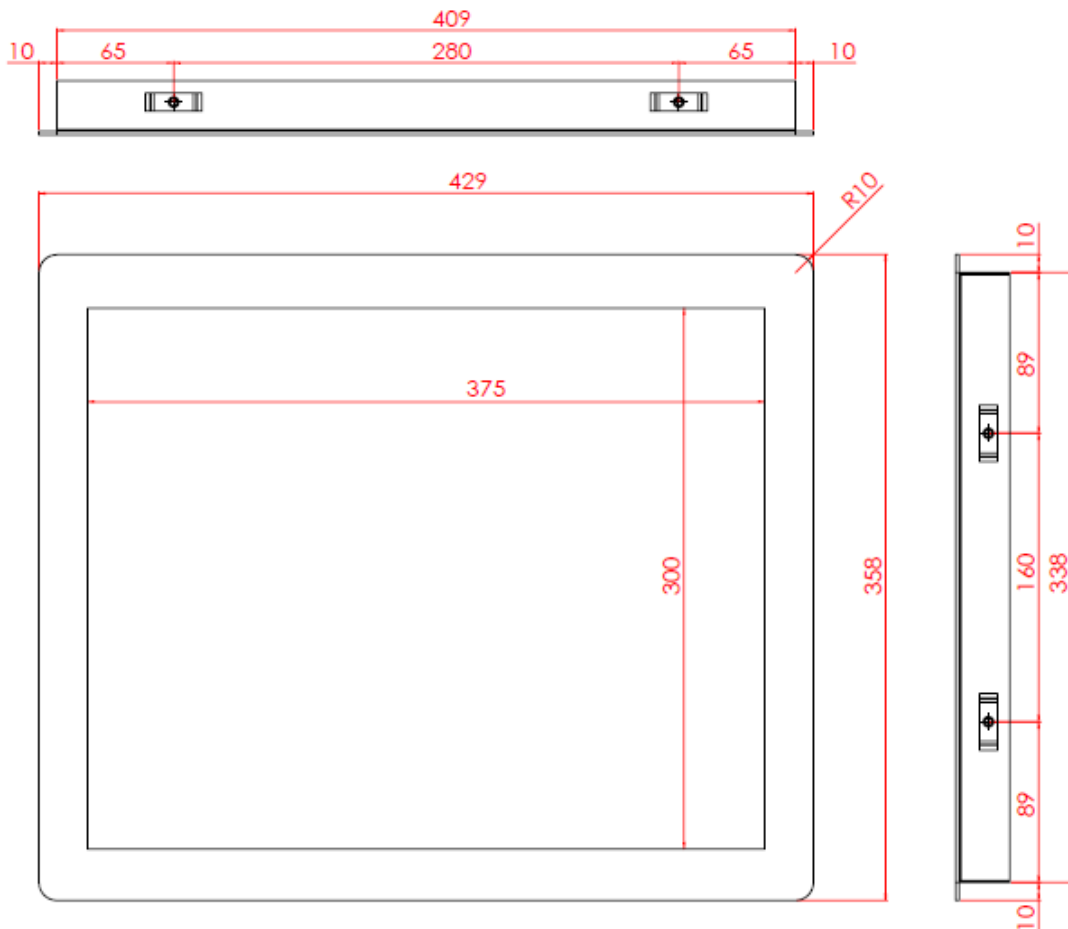
Dimension for Installing with Open-frame Brackets



Panel Mount Kits (Option)

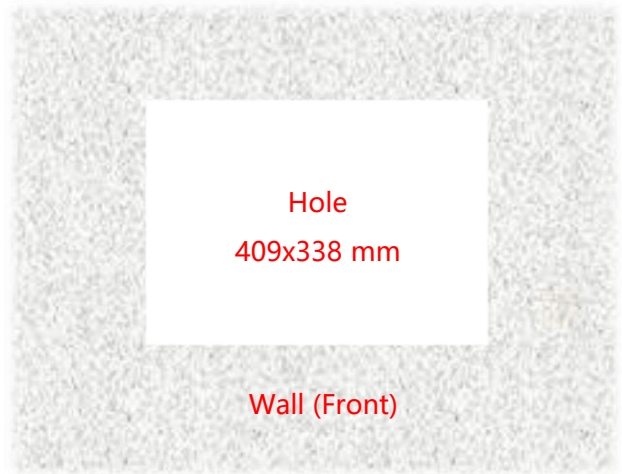


Dimension for Installing with Panel Mount Kits

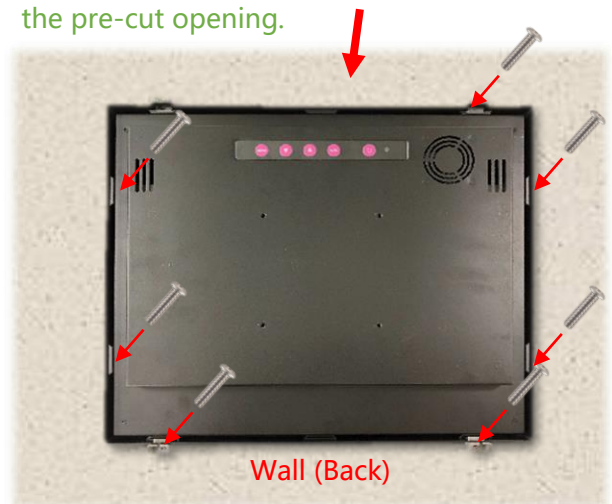




Step 1: Assemble the front module with the screen body. (This step is pre-assembled at the factory.)



Step 2: Insert the screen from the front into the pre-cut opening.



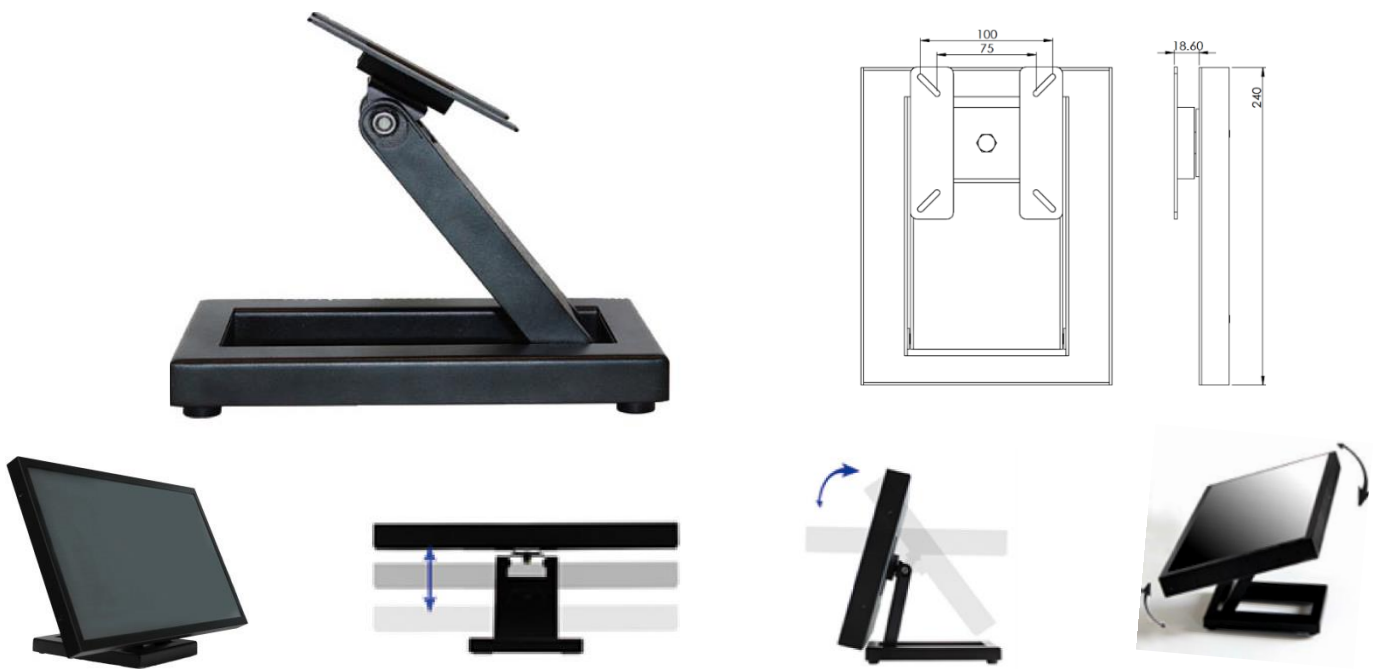
Step 3: Attach the clips from the back and secure with screws. (Up to 8 clips can be installed as needed or per positional limitations.)

Desktop Stand (Option)

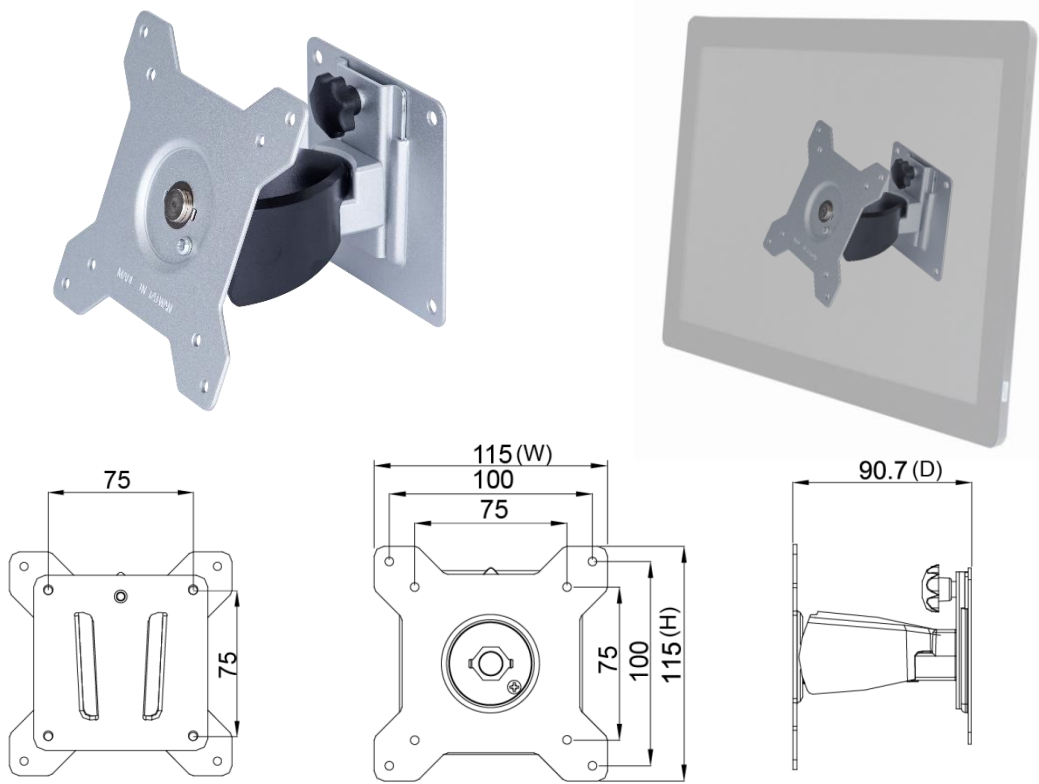
Item	B Stand	Part No.	DST-0B002/DST-1B002
Mounting Pattern	100x100 / 75x75 mm	Dimension (WxHxD)	203x275x227 mm
Material	Steel/Plastic/Aluminum	Net Weight	1.8 KG
Tilt (Hinge)	-2° ~ +180°	Support Max. Weight	15 KG



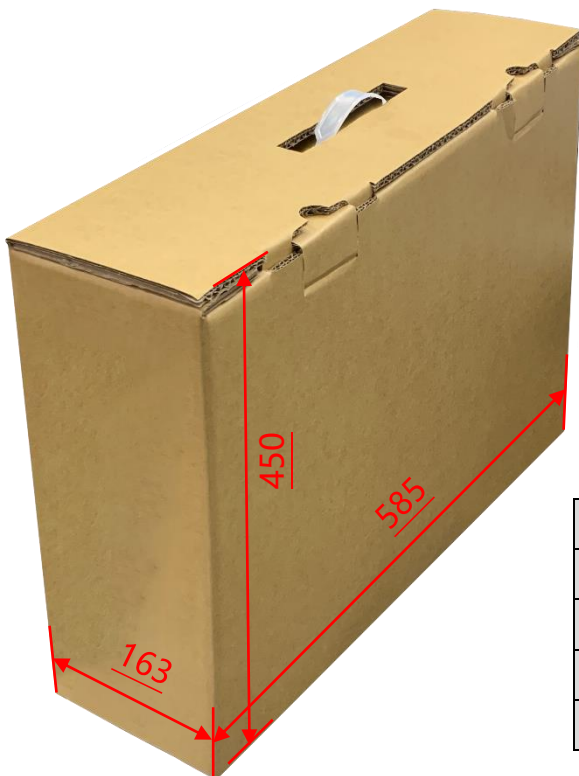
Item	Z Stand	Part No.	DST-0BZ01/DST-1BZ01
Mounting Pattern	100x100 / 75x75 mm	Dimension (WxHxD)	190x240x41.6
Material	SECC	Net Weight	2.6 KG
Tilt (Hinge)	±360°	Support Max. Weight	15 KG



Wall Mount Bracket (Option)



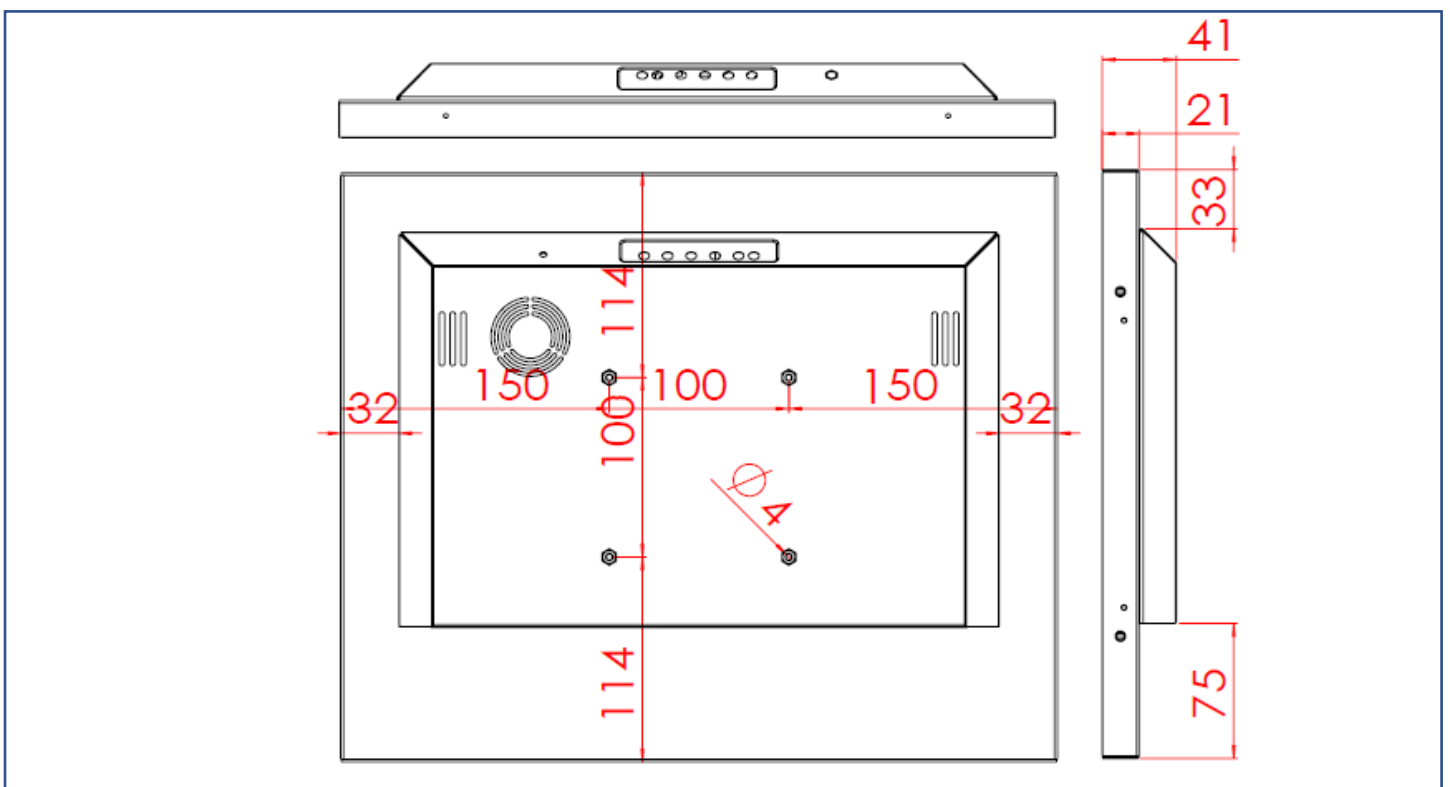
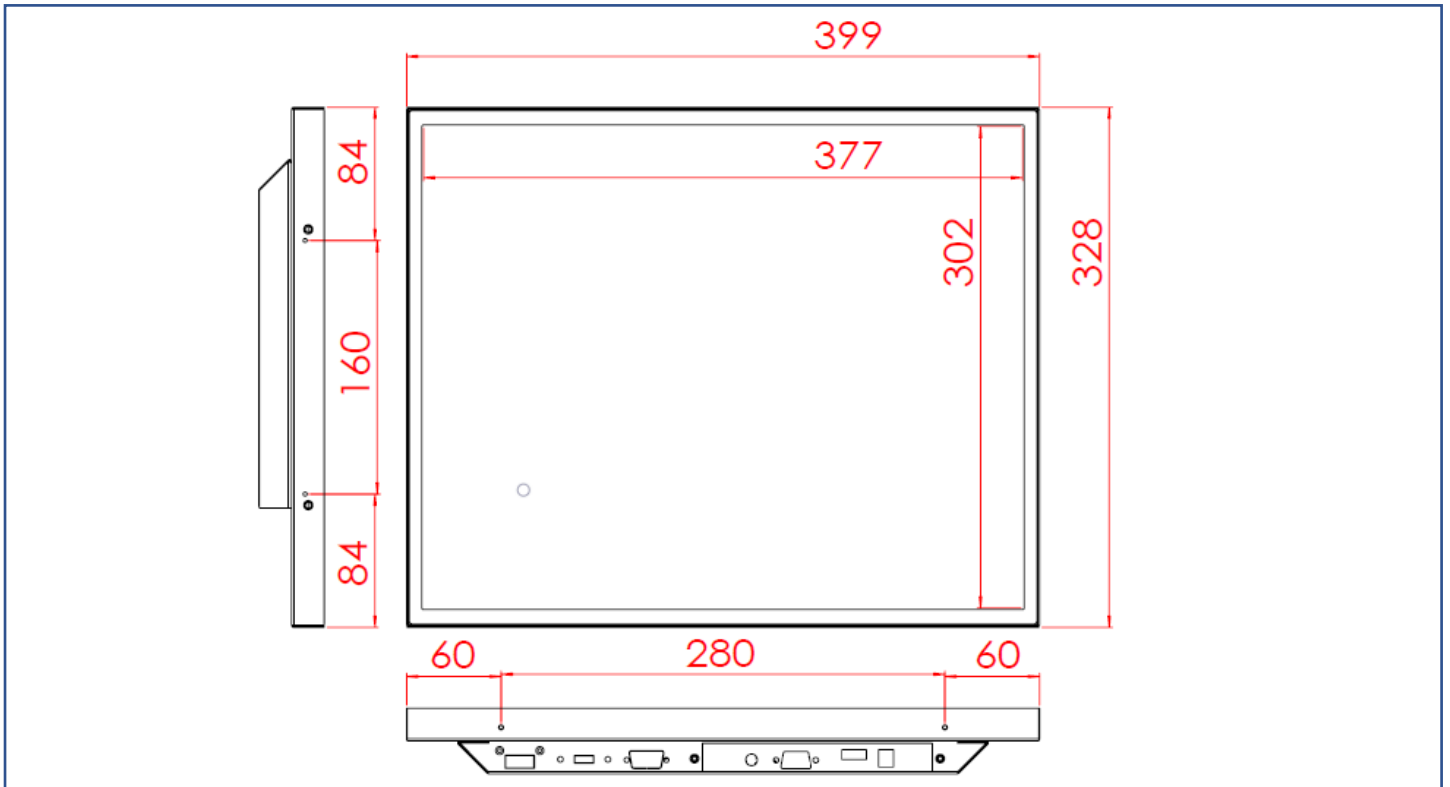
Packing Information



Unit Carton Size	585x163x450 mm
Unit N. Weight	≤4.3 KG
Unit G. Weight	≤6.1 KG
Units per Pallet	36 units
Pallet Size	120x100x147 CM

Physical Specifications

Dimension (Max)	399x328x41(±2)mm	Net Weight	≤4.3 KG
VESA Mounting	100x100 mm	Gross Weight	≤6.1 KG



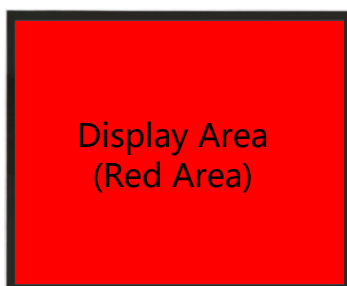
Cosmetic Inspection Standard

Display Area Allowance			
Defect description	Defective Specifications	Allowance	Remarks
Dot Defect (including dark dot, particles, bubbles, pits, dust, foreign matter)	$D \leq 0.2\text{mm}$	Ignored	D=Diameter
	$0.2 < D \leq 0.7\text{mm}$	$N \leq 5$	N=Quantity
	$0.7 < D \leq 1\text{mm}$	$N \leq 3$	
	$D > 1\text{mm}$	$N \leq 0$	
Linear Defect (including scratches, fluff, particles)	$W \leq 0.15\text{mm}$	Ignored	W=Width
	$0.15 < W \leq 0.5\text{mm}, L \leq 15\text{mm}$	$N \leq 2$	L=Length
	$W > 0.5\text{mm}$ or $L > 15\text{mm}$	NG	

* Visual inspection distance: 60cm, 90 degree (same for front/side/back)

Front Appearance Allowance (Including Coating)			
Defect description	Defective Specifications	Allowance	Remarks
Dot Defect (including particles, bubbles, pits...etc.)	$D \leq 0.7\text{mm}$	Ignored	D=Diameter
	$0.7 < D \leq 1.5\text{mm}$	$N \leq 3$	N=Quantity
	$D > 1.5\text{mm}$	$N \leq 0$	
Linear Defect (including scratches, fluff, particles)	$W \leq 0.2\text{mm}, L \leq 15\text{mm}$	Ignored	W=Width, L=Length
	$0.2 < W \leq 0.7\text{mm}, L \leq 15\text{mm}$	$N \leq 1$	
	$W > 0.7\text{mm}$ or $L > 15\text{mm}$	NG	

Side / Back Appearance Allowance (Including Coating)			
Defect description	Defective Specifications	Allowance	Remarks
Dot Defect (including particles, bubbles, pits...etc.)	$D \leq 1.5\text{mm}$	Ignored	D=Diameter
	$1.5 < D \leq 3\text{mm}$	$N \leq 8$	N=Quantity
	$D > 3\text{mm}$	$N \leq 2$	
Linear Defect (including scratches, fluff, particles)	$W \leq 0.8\text{mm}, L \leq 15\text{mm}$	Ignored	W=Width, L=Length
	$0.8 < W \leq 1.5\text{mm}, L \leq 15\text{mm}$	$N \leq 5$	
	$W > 1.5\text{mm}$ or $L > 15\text{mm}$	NG	



Display Area
(Red Area)



Front Appearance (Red Area)



Back Appearance