

Product Specifications

Customer	
Model	NTSP185-4 V500



Records of Revision			
Vision	Modifying	Old Description	New Description
v2412.1	Preliminary Specification		

Features

- ★ 18.5 inch Industrial Grade Panel, 1920x1080 (FHD) Resolution
- ★ Wide Operating Temperature Range -30~80°C
- ★ Narrow Bezel, True Flat Projected Capacitive Touch Screen
- ★ 7H Hardness Tempered Cover Glass
- ★ 10 points Multi-touch, Supports NEXTECH Dedicated Stylus
- ★ Metal Cabinet with Diverse Combine Options
- ★ Made in Taiwan, 3 Years Warranty, Designed for Harsh Environments
- ★ Optional Video Input (VGA/DVI/HDMI/DP)
- ★ Optional Software Remote Control by RS232 or DDC/CI
- ★ Optional 9~36VDC Power Input
- ★ Optional High Brightness 1500nits, for Outdoor Environment
- ★ Optional Auto Dimming Function (with Light Sensor)
- ★ Optional Anti-Glare&UV/Antibacterial/Privacy Filter Surface Treatment



PSE



BSMI



RoHS



CE



ISO9001



FCC



Desktop Stand



Wall Mounting



Open-frame Brackets



Panel Mount

Display Specifications

Model Name	NTSP185XX4XX-XXXXXX-500*	Display Mode	Normally Black
Screen Diagonal	469.16 mm (18.47 inch)	Response Time	30 msec.
Display Area	408.9x230.0 mm	Backlight Unit	LED (white LED)
Resolution	1920x1080 (FHD)	Viewing Angle (L/R, U/D)	170°/170° (CR=10)
Contrast Ratio	1200:1	Backlight Lifetime	>50,000 Hours
Display Ratio	16:9	Operating Temp.	-30~80°C
Support Colors	16.7M Colors	Storage Temp.	-30~80°C
Pixel Pitch	213x213 um		

* X = A~Z, 0~9 (Depends on options)

Display Options

Brightness			
	Brightness	Environment	Model Name
Standard	500nits	General (Indoor)	NTSP185NX4XX-XXXXXX-500
Option 1	1000nits	Outdoor Environment	NTSP185AX4XX-XXXXXF-500
Option 2	1500nits	Sunlight Readable	NTSP185FX4XX-XXXXXF-500

Accessories

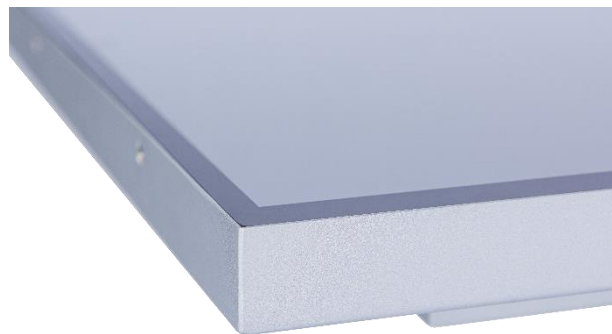
Item	Description	Quantity
HDMI Cable	Male to Male, 1.8 Meter	1
AC-DC Adapter	12V with CE/FCC/CCC/UL/RoHS/PSE/JET Certification	1
Power Cord	*Country Specific	1
USB Cable	A type, Male to Male, 1.8 Meter *(only for touch monitor)	1

Touch Options

Touch Screen		
	Description	Model Name
Standard	Projected Capacitive Touch	NTSP185XP4XX-XXXXX-500
Option	Non-Touch	NTSP185X04XX-XXXX0X-500

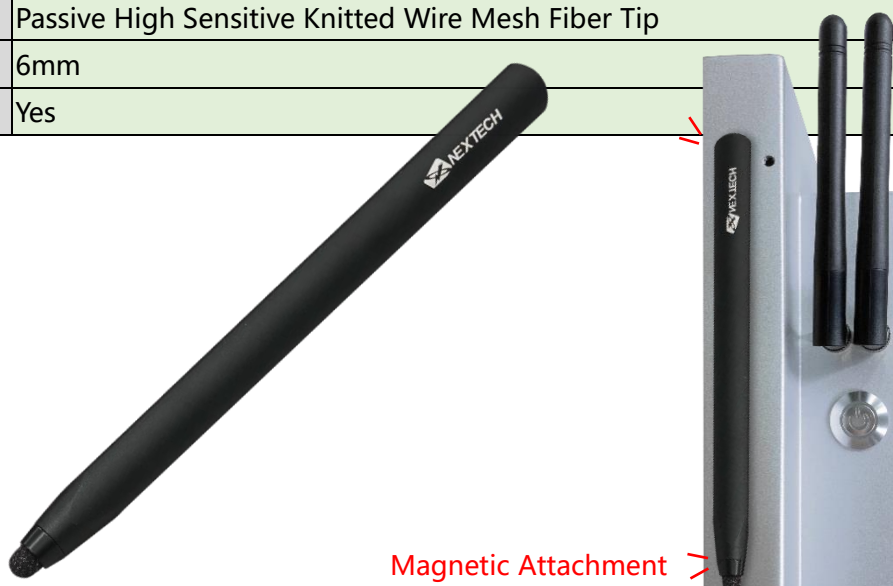
Projected Capacitive Touch

Touch Technology	Projected Capacitive	Transparency	≥87%
Allowed Touch Points	10 points	Accuracy	99.00%
Interface	USB/RS232 (Option)	Thickness of Cover Lens	2.9±0.2mm
IK Ratings	IK07	Hardness of Cover Lens	7H



* True Flat, 1mm Bezel

Passive Stylus Pen (Option)	
Technology	Passive High Sensitive Knitted Wire Mesh Fiber Tip
Size of tip	6mm
Magnetic Attachment	Yes



Magnetic Attachment

General Options

Video Input		
	Description	Model Name
Standard	VGA+HDMI+DP	NTSP185XX43X-XXXXXX-500
Option	VGA+DVI	NTSP185XX4 1 1-XXXXXX-500



VGA+HDMI+DP

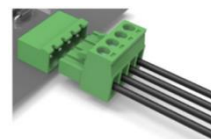


VGA+DVI

Power Input		
	Description	Model Name
Standard	12V, Lockable DC Jack Φ2.1mm	NTSP185XX432-XXXXXX-500
Option 1	12VDC, DC Jack Φ 2.1mm	NTSP185XX4 1 1-XXXXXX-500
Option 2	9~36VDC, Phoenix Terminal Block	NTSP185XX4 3 P-XXXXXX-500



Lockable DC Power Jack



Phoenix Terminal Block

Surface Treatment		
	Description	Model Name
Standard	(none)	NTSP185XX4XX-00XXXX-500
Option 1	Anti-Glare&UV Coating	NTSP185XX4XX- GG XXXX-500
Option 2	Antibacterial (AB Film)	NTSP185XX4XX- AB XXXX-500
Option 3	Anti-Spy (AS Film)	NTSP185XX4XX- SF XXXX-500

General Options (Continued)

Color of Cabinet		
	Description	Model Name
Standard	Black	NTSP185XX4XX-XXBXXX-500
Option 1	White	NTSP185XX4XX-XXWXXX-500
Option 2	Silver	NTSP185XX4XX-XXSXXX-500
Options	Other Colors	NTSP185XX4XX-XXXXXX-500

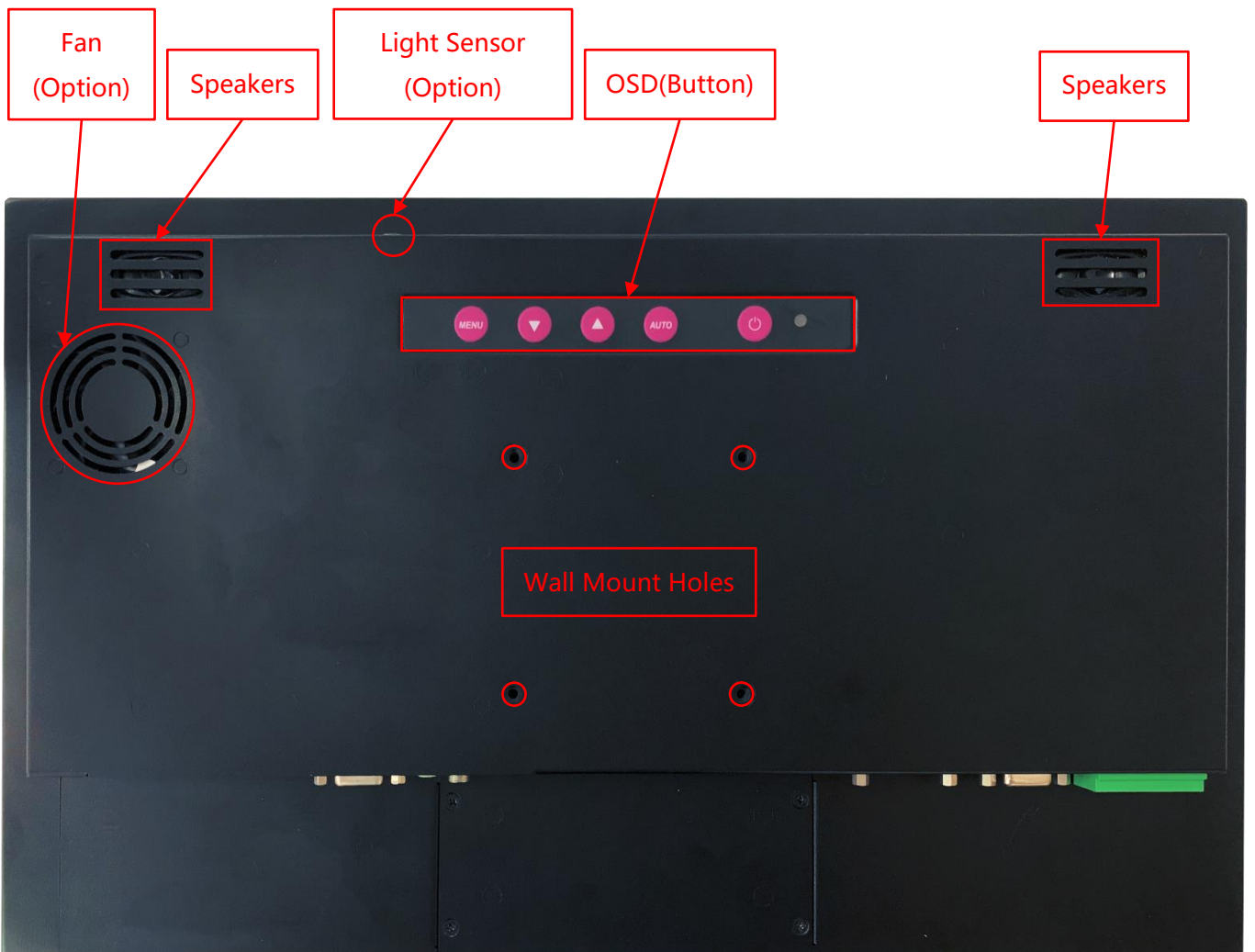
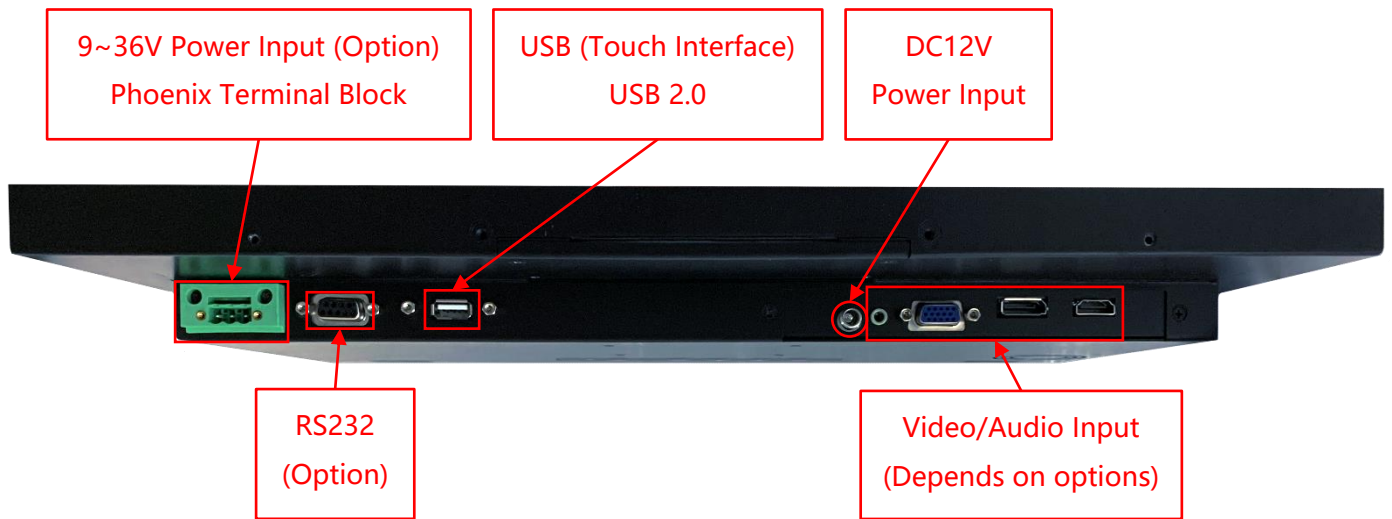
* X = A~Z, 0~9 (Depends on Color)

Material of Cabinet		
	Description	Model Name
Standard	SECC	NTSP185XX4XX-XXXSXX-500
Option 1	Stainless Steel	NTSP185XX4XX-XXXLXX-500
Option 2	Aluminum	NTSP185XX4XX-XXXAXX-500

Touch Interface		
	Description	Model Name
Standard	USB	NTSP185XP4XX-XXXXUX-500
Option 1	RS232	NTSP185XP4XX-XXXXRX-500
Option 2	Non-Touch	NTSP185X04XX-XXXXOX-500

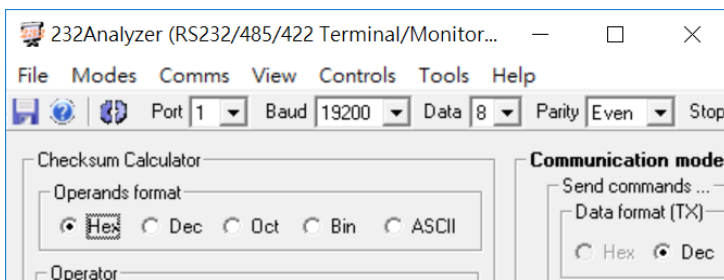
Cooling Fan		
	Description	Model Name
Standard	Fanless	NTSP185XX4XX-XXXXX0-500
Option	7 Blades/4000r.p.m/28.3dB	NTSP185XX4XX-XXXXXF-500

Input /Output System



Other Options

OSD Control		
	Item	Description
Standard	Button	Rear Physical Button
Option 1	Software Remote Control	Software Remote Control by RS232/Serial Port
Option 2	Auto Dimming	Auto Brightness Adjusting by Light Sensor



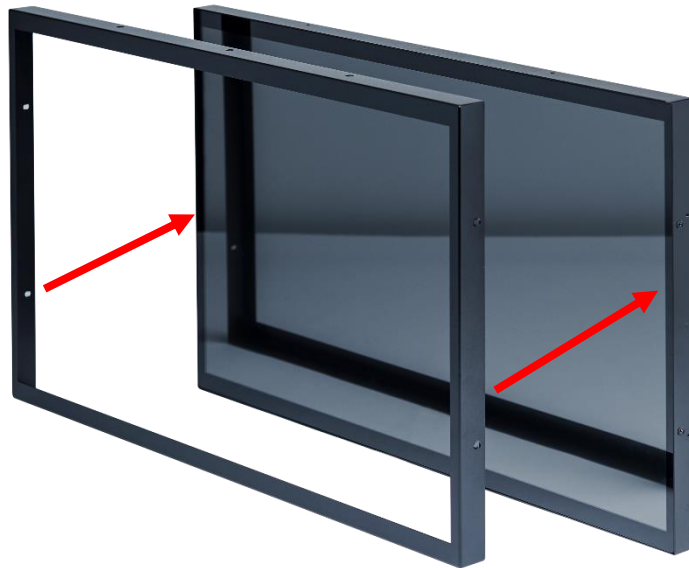
* Software Remote Control



Supported OS

Windows	Win7, Win8, Win10, Win11 ↑
Linux	Kernel 2.6.24 ↑
Android	3.0 ↑
Mac	10.5.x ↑ (Intel CPU)

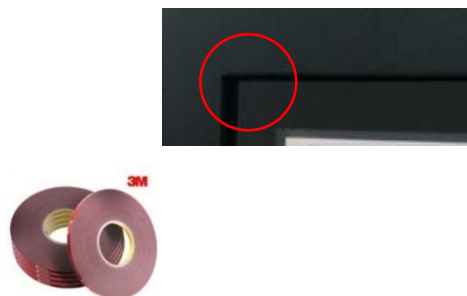
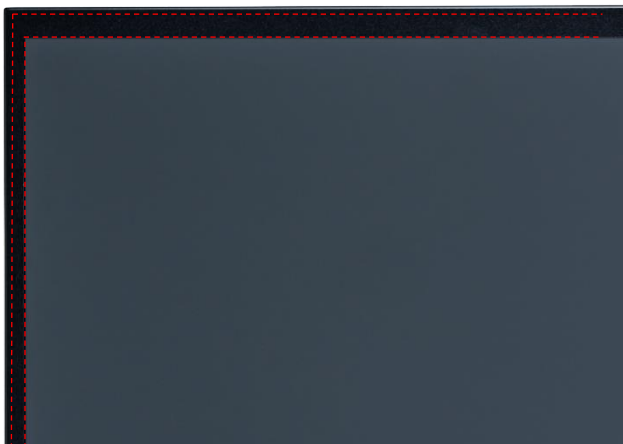
Front Cover (Option)



The standard **NTSP185** is true flat surface, with only 1mm metal bezel.
To protect the corners of the touch screen, the **Front Cover** can be added.



The watertight gasket can be added between the **Front Cover** and **NTSP185**.
It complies **IP65** on front.

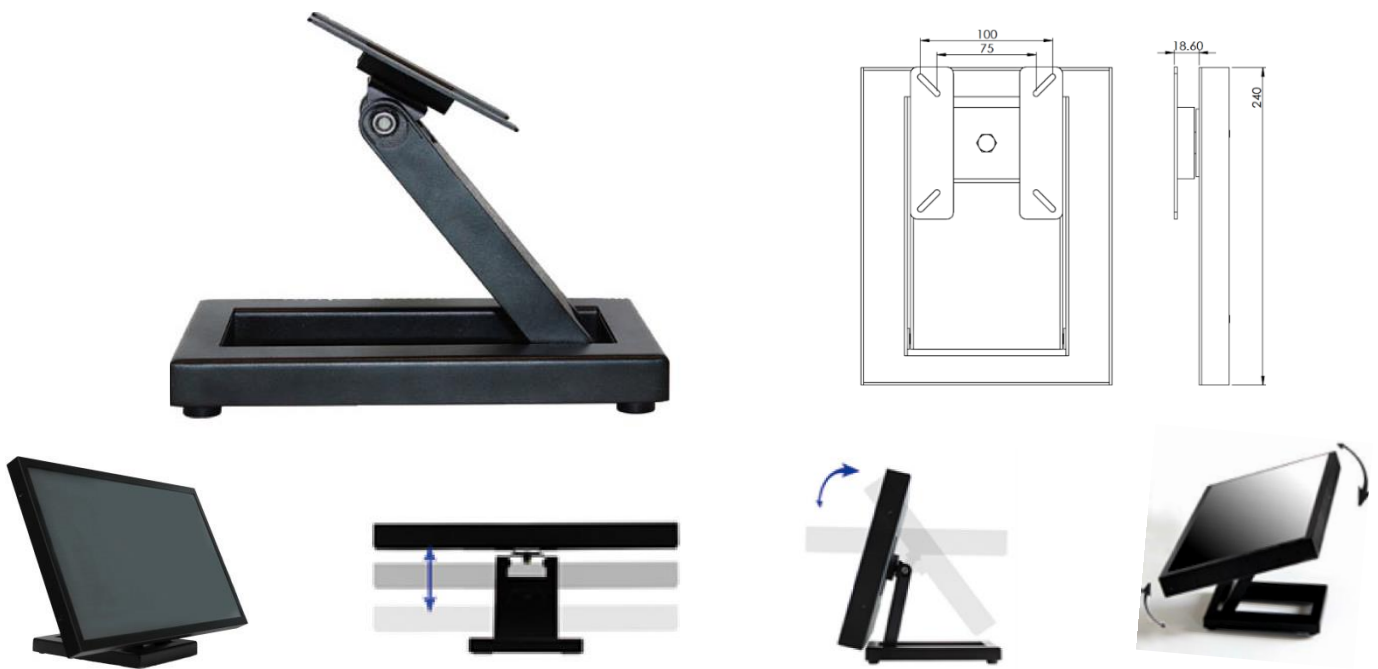


Desktop Stand (Option)

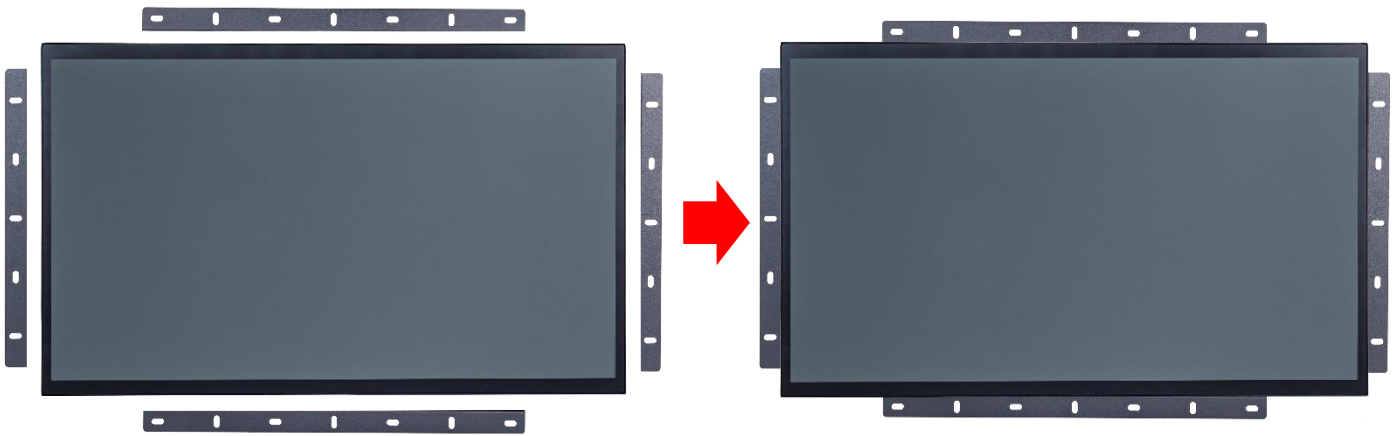
Item	B Stand	Part No.	DST-0B002/DST-1B002
Mounting Pattern	100x100 / 75x75 mm	Dimension (WxHxD)	203x275x227 mm
Material	Steel/Plastic/Aluminum	Net Weight	1.8 KG
Tilt (Hinge)	-2° ~ +180°	Support Max. Weight	15 KG



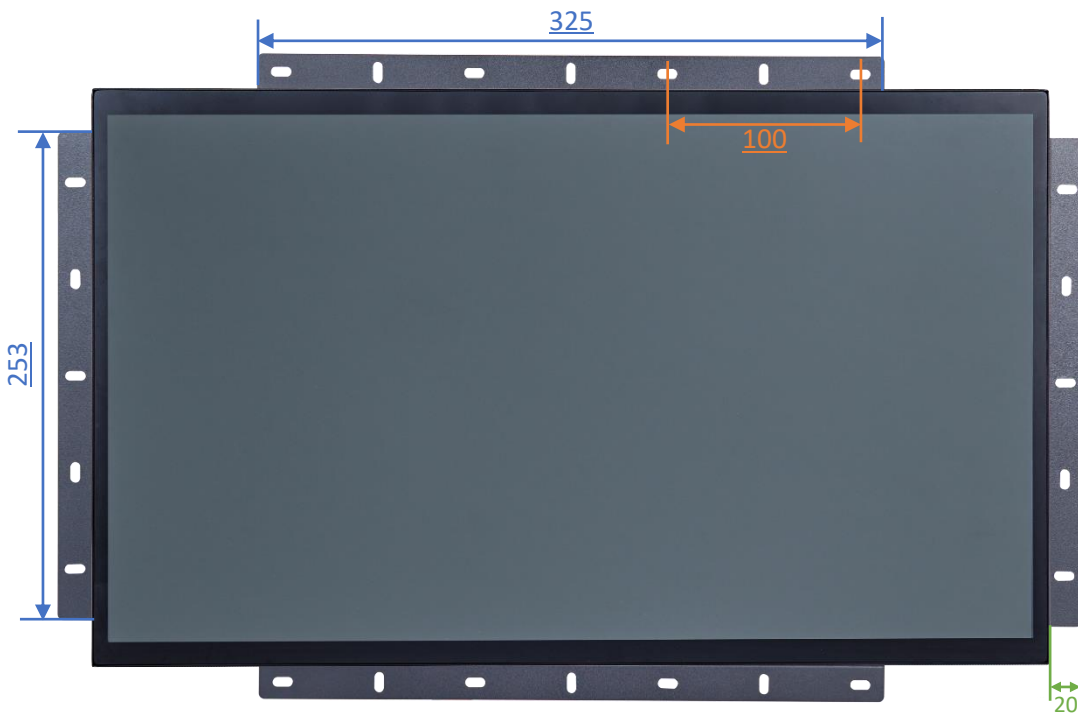
Item	Z Stand	Part No.	DST-0BZ01/DST-1BZ01
Mounting Pattern	100x100 / 75x75 mm	Dimension (WxHxD)	190x240x41.6
Material	SECC	Net Weight	2.6 KG
Tilt (Hinge)	±360°	Support Max. Weight	15 KG



Open-frame Brackets (Option)



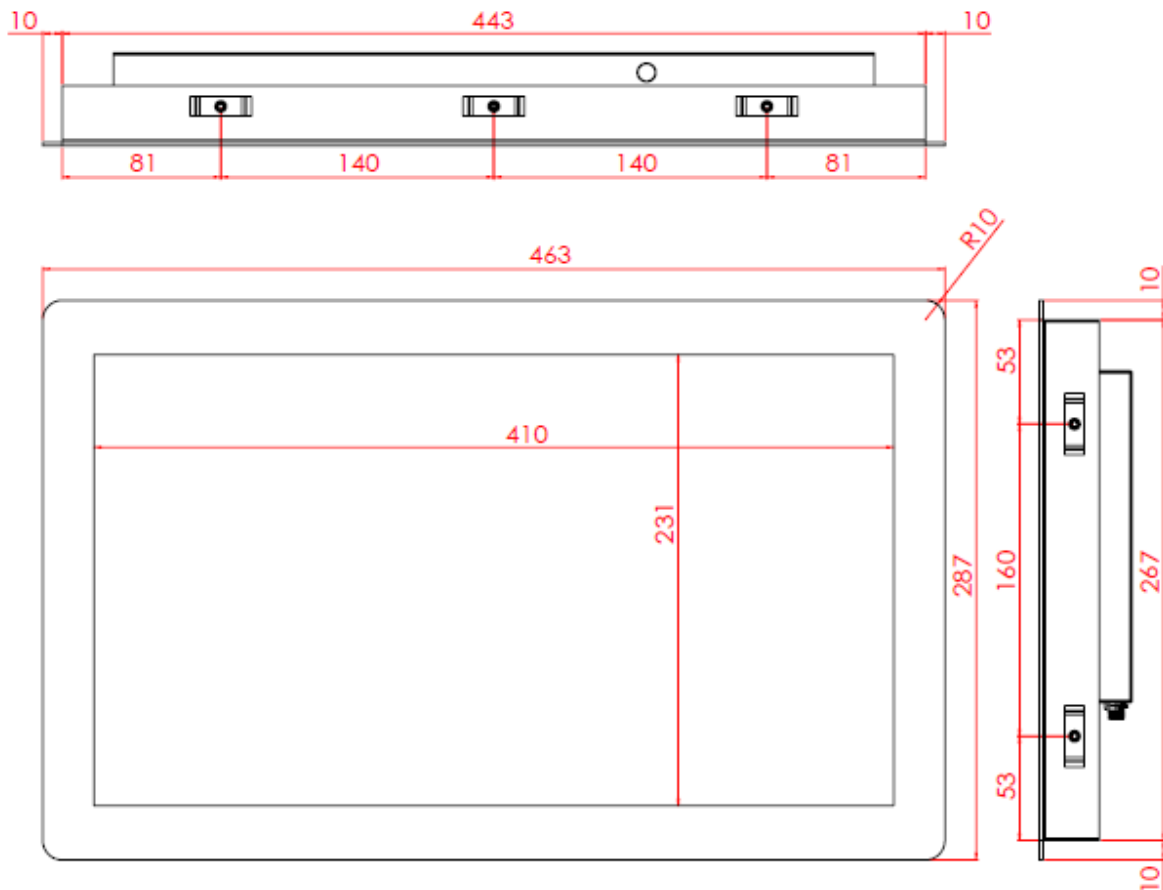
Dimension for Installing with Open-frame Brackets



Panel Mount Kits (Option)

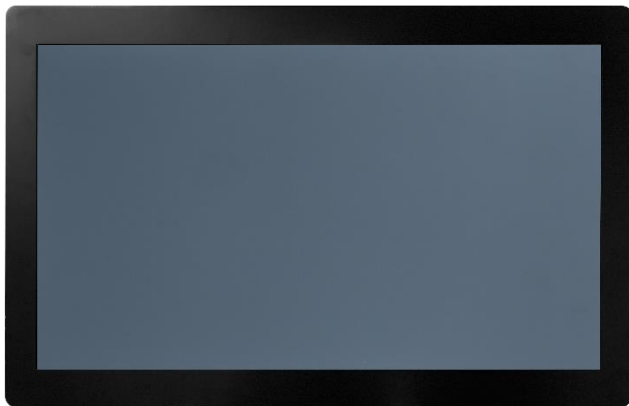
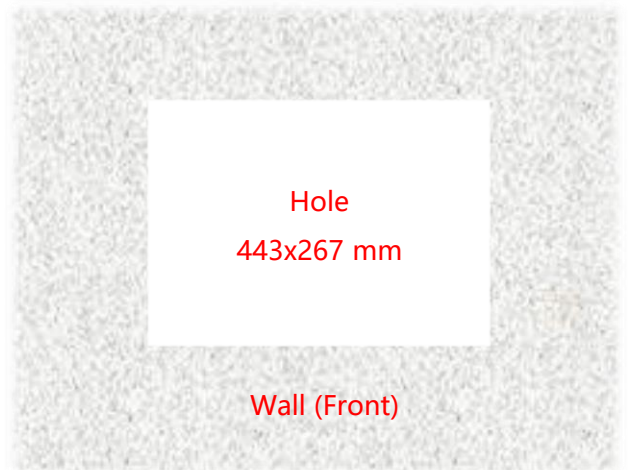


Dimension for Installing with Panel Mount Kits

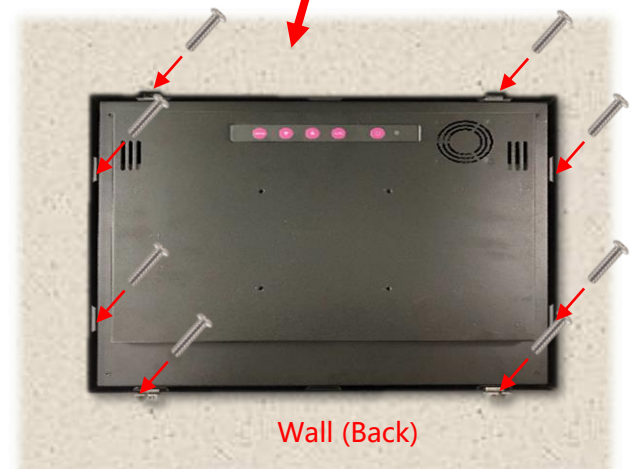




Step 1: Assemble the front module with the screen body. (This step is pre-assembled at the factory.)

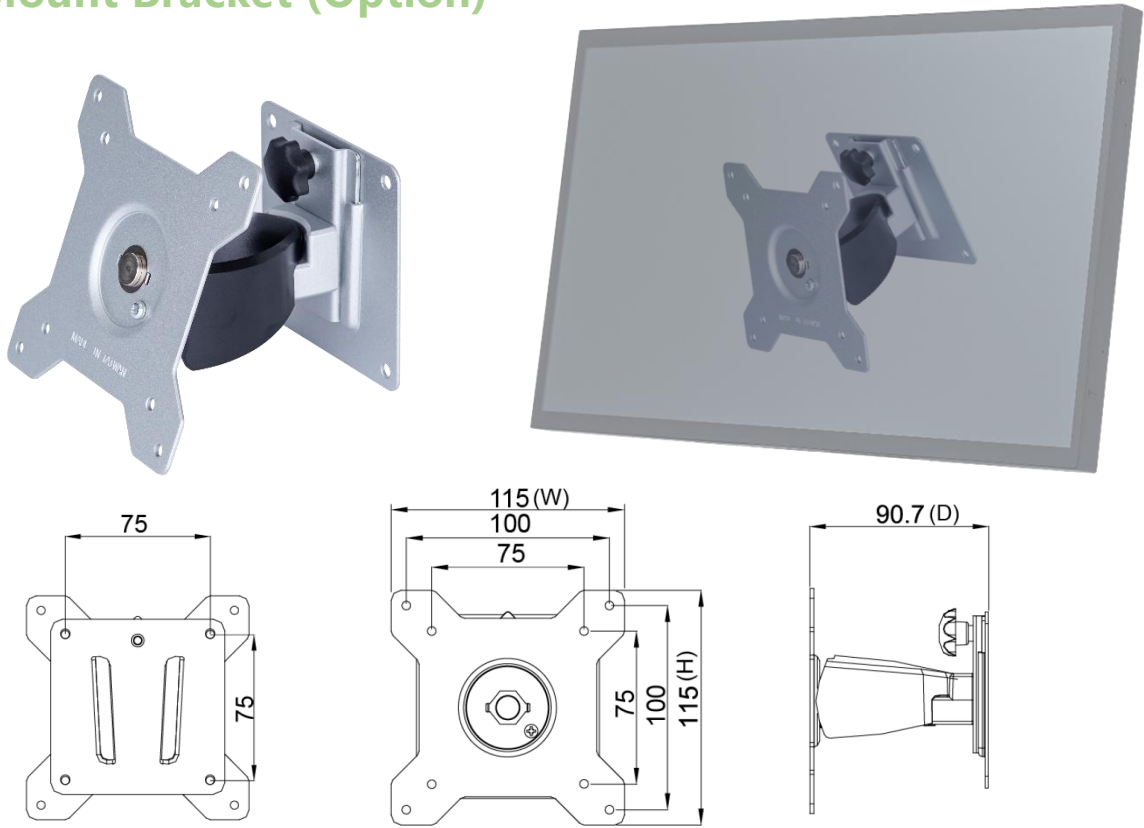


Step 2: Insert the screen from the front into the pre-cut opening.



Step 3: Attach the clips from the back and secure with screws. (Up to 9 clips can be installed as needed or per positional limitations.)

Wall Mount Bracket (Option)



Packing Information



Unit Carton Size	670x155x445 mm
Unit N. Weight	≤3.5 KG
Unit G. Weight	≤5.6 KG
Units per Pallet	30 units
Pallet Size	120x100x147 CM

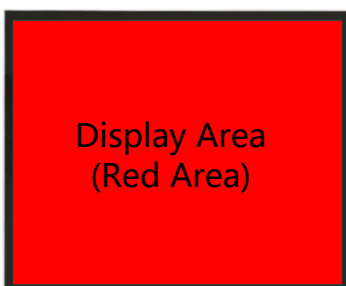
Cosmetic Inspection Standard

Display Area Allowance			
Defect description	Defective Specifications	Allowance	Remarks
Dot Defect (including dark dot, particles, bubbles, pits, dust, foreign matter)	$D \leq 0.2\text{mm}$	Ignored	D=Diameter
	$0.2 < D \leq 0.7\text{mm}$	$N \leq 5$	N=Quantity
	$0.7 < D \leq 1\text{mm}$	$N \leq 3$	
	$D > 1\text{mm}$	$N \leq 0$	
Linear Defect (including scratches, fluff, particles)	$W \leq 0.15\text{mm}$	Ignored	W=Width
	$0.15 < W \leq 0.5\text{mm}, L \leq 15\text{mm}$	$N \leq 2$	L=Length
	$W > 0.5\text{mm}$ or $L > 15\text{mm}$	NG	

* Visual inspection distance: 60cm, 90 degree (same for front/side/back)

Front Appearance Allowance (Including Coating)			
Defect description	Defective Specifications	Allowance	Remarks
Dot Defect (including particles, bubbles, pits...etc.)	$D \leq 0.7\text{mm}$	Ignored	D=Diameter
	$0.7 < D \leq 1.5\text{mm}$	$N \leq 3$	N=Quantity
	$D > 1.5\text{mm}$	$N \leq 0$	
Linear Defect (including scratches, fluff, particles)	$W \leq 0.2\text{mm}, L \leq 15\text{mm}$	Ignored	W=Width, L=Length
	$0.2 < W \leq 0.7\text{mm}, L \leq 15\text{mm}$	$N \leq 1$	
	$W > 0.7\text{mm}$ or $L > 15\text{mm}$	NG	

Side / Back Appearance Allowance (Including Coating)			
Defect description	Defective Specifications	Allowance	Remarks
Dot Defect (including particles, bubbles, pits...etc.)	$D \leq 1.5\text{mm}$	Ignored	D=Diameter
	$1.5 < D \leq 3\text{mm}$	$N \leq 8$	N=Quantity
	$D > 3\text{mm}$	$N \leq 2$	
Linear Defect (including scratches, fluff, particles)	$W \leq 0.8\text{mm}, L \leq 15\text{mm}$	Ignored	W=Width, L=Length
	$0.8 < W \leq 1.5\text{mm}, L \leq 15\text{mm}$	$N \leq 5$	
	$W > 1.5\text{mm}$ or $L > 15\text{mm}$	NG	



Display Area
(Red Area)



Front Appearance (Red Area)



Back Appearance