

Product Specifications

Customer	
Model	NTSP121WNPSCC V100



Records of Revision			
Vision	Modifying	Old Description	New Description
v2407.1	Preliminary specifications		

Nextech C Series 12.1" USB type C Industrial Touch Display

NTSP121WNPSCC-V100

Features

- ★ 12.1 inch Wide Industrial Grade Panel, 1280x800 Resolution
- ★ Wide Viewing Angle Technology , 178°/178°
- ★ Wide Operating Temperature Range -20~70°C
- ★ True Flat Projected Capacitive Touch Screen
- ★ 7H Hardness Tempered Cover Glass
- ★ 10 points Multi-touch, Supports NEXTECH Dedicated Stylus
- ★ Metal Cabinet with Diverse Combine Options
- ★ Made in Taiwan, 3 Years Warranty, Designed for Harsh Environments
- ★ Optional AG Coating/Antibacterial/Privacy Filter Surface Treatment



Desktop Stand



Wall Mounting

Nextech C Series 12.1" USB type C Industrial Touch Display

NTSP121WNPSCC-V100

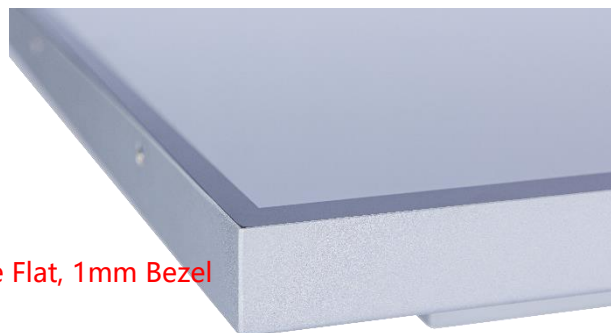
Display Specifications

Model Name	NTSP121WN <u>X</u> SCC- <u>XXXX</u> C0-100*	Display Mode	Normally Black
Screen Diagonal	12.1 inch	Response Time	20 msec.
Display Area	261.1x166.2 mm	Backlight Unit	LED (white LED)
Resolution	1280x800	Viewing Angle (L/R, U/D)	178°/178° (CR _≥ 10)
Contrast Ratio	1000:1	Backlight Lifetime	>30,000 Hours
Display Ratio	16:10	Operating Temp.	-20~70°C
Support Colors	1.67M Colors	Storage Temp.	-20~70°C
Pixel Pitch	0.204x0.204 mm	Brightness	400nits

* X = A~Z, 0~9 (Depends on options)

Touch Options

Projected Capacitive			
Model Name	NTSP121WN <u>P</u> SCC- <u>XXXX</u> C0-100		
Touch Technology	Projected Capacitive	Thickness of Cover Lens	1.8±0.2mm
Allowed Touch Points	10 points	Hardness of Cover Lens	7H
Transparency	≥87%	IK Ratings	IK07
Accuracy	99.00%		



* True Flat, 1mm Bezel

Non-Touch	
Model Name	NTSP121 <u>X0</u> SCC- <u>XXXX</u> 00-100

General Options

Surface Treatment		
	Description	Model Name
Standard	(none)	NTSP121WNXSCC-00XXC0-100
Option 1	Anti-Glare Coating	NTSP121WNXSCC-GGXXC0-100
Option 2	Antibacterial (AB Film)	NTSP121WNXSCC-ABXXC0-100
Option 3	Anti-Spy (AS Film)	NTSP121WNXSCC-SFXXC0-100

Color of Cabinet		
	Description	Model Name
Standard	Black	NTSP121WNXSCC-XXBXC0-100
Option 1	White	NTSP121WNXSCC-XXWXC0-100
Option 2	Silver	NTSP121WNXSCC-XXSXC0-100
Options	Other Colors	NTSP121WNXSCC-XXXXC0-100

* X = A~Z, 0~9 (Depends on Color)

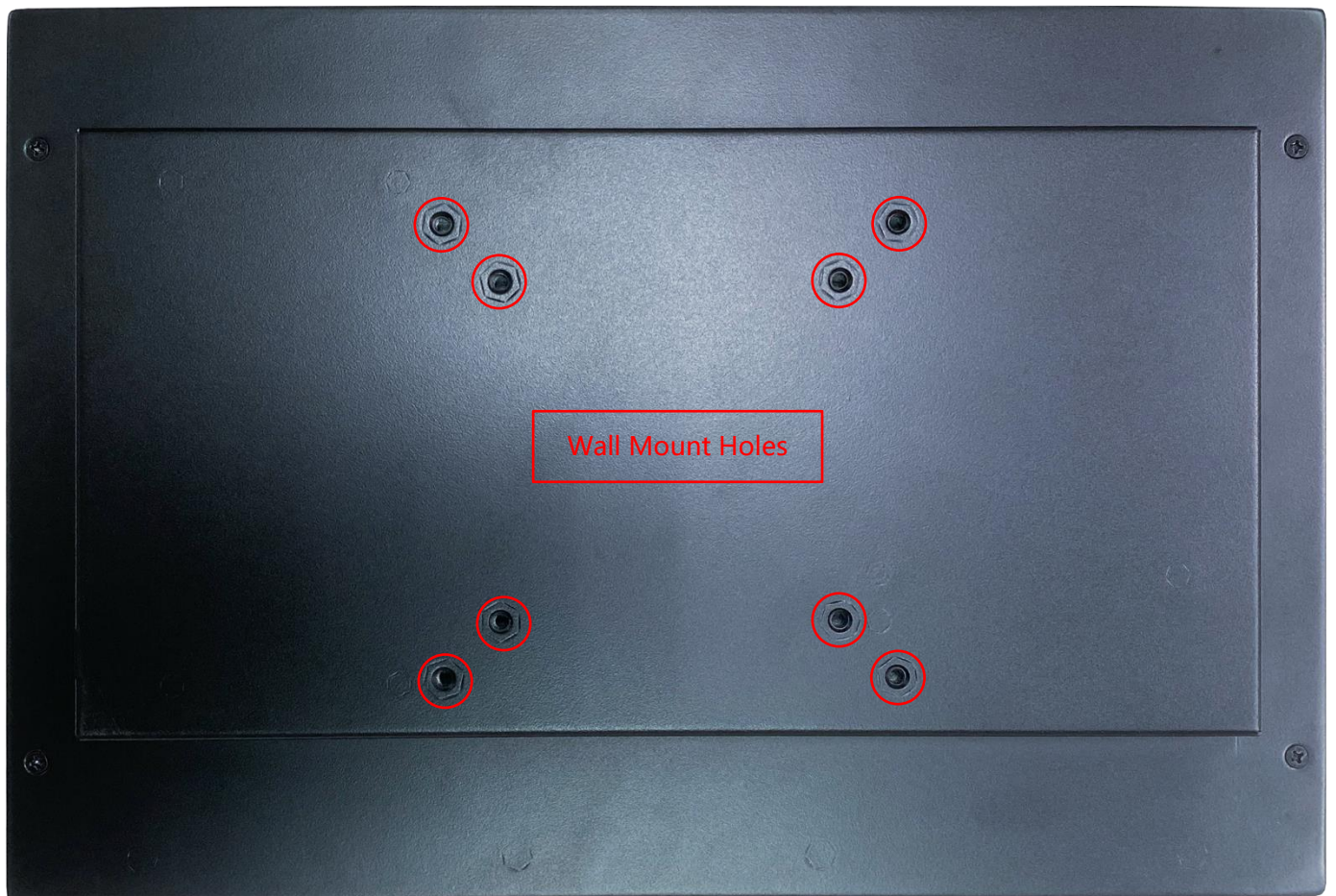
Material of Cabinet		
	Description	Model Name
Standard	SECC	NTSP121WNXSCC-XXXSC0-100
Option 1	Stainless Steel	NTSP121WNXSCC-XXXLC0-100
Option 2	Aluminum	NTSP121WNXSCC-XXXAC0-100

Passive Stylus Pen (Option)	
Technology	Passive High Sensitive Knitted Wire Mesh Fiber Tip
Size of tip	6mm
Magnetic Attachment	Yes

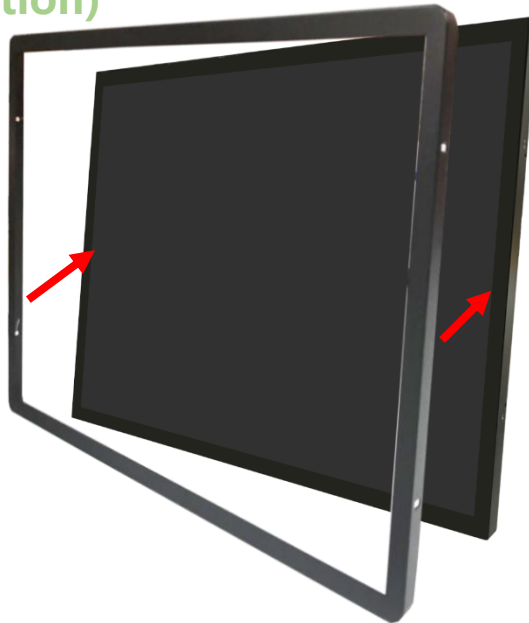


Magnetic Attachment

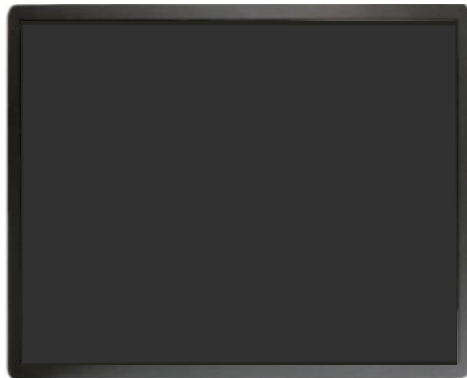
Input /Output System



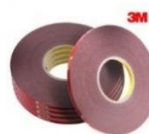
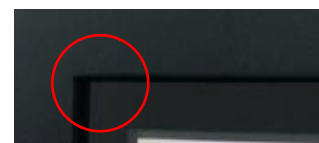
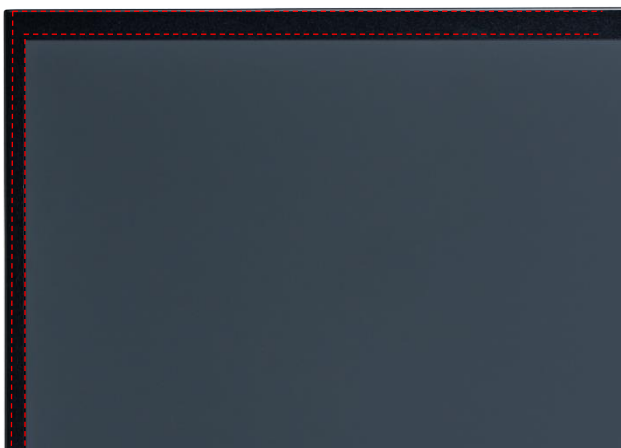
Front Cover (Option)



The standard **NTSP12W** is true flat surface, with only 1mm metal bezel.
To protect the corners of the touch screen, the **Front Cover** can be added.



The watertight gasket can be added between the **Front Cover** and **NTSP12W**.
It complies **IP65** on front.

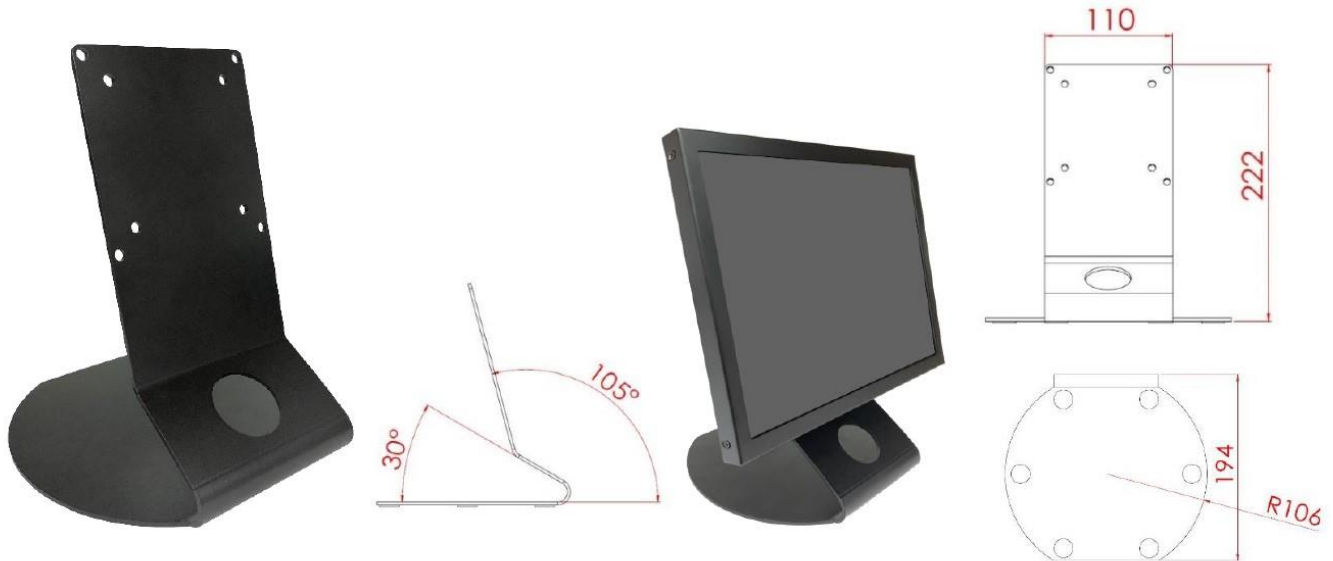


Nextech C Series 12.1" USB type C Industrial Touch Display

NTSP121WNPSCC-V100

Desktop Stand (Option)

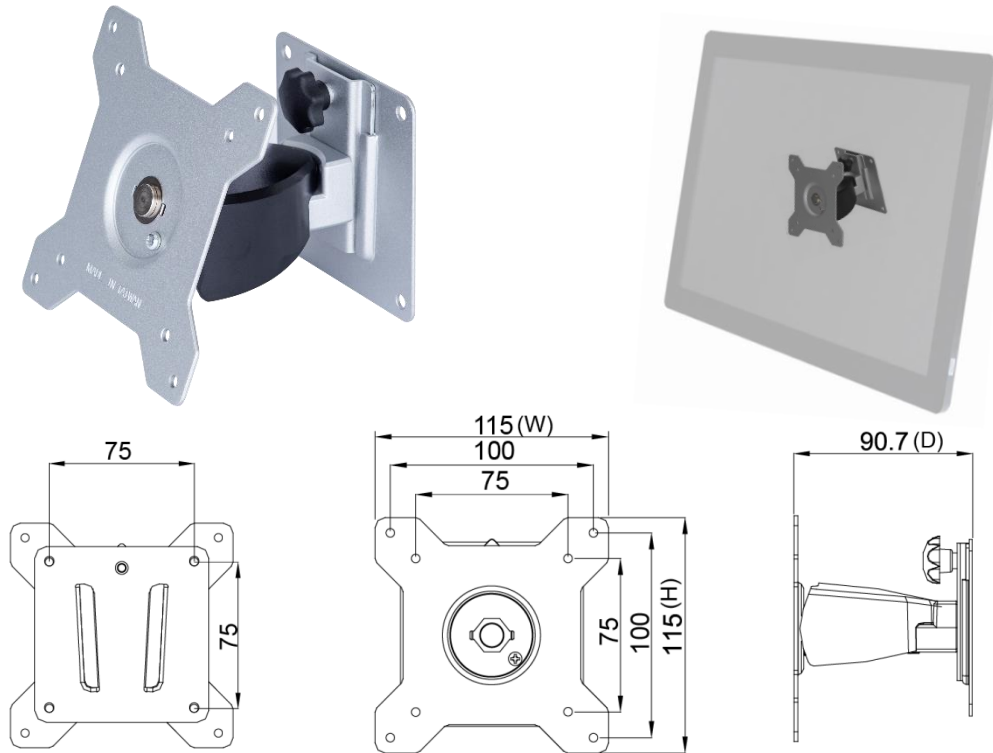
Item	L Stand	Part No.	DST-0B004/DST-1B004
Mounting Pattern	100x100 / 75x75 mm	Dimension (WxHxD)	194x194x222 mm
Material	SECC	Net Weight	1.4 KG
Tilt (Hinge)	105°	Support Max. Weight	15 KG



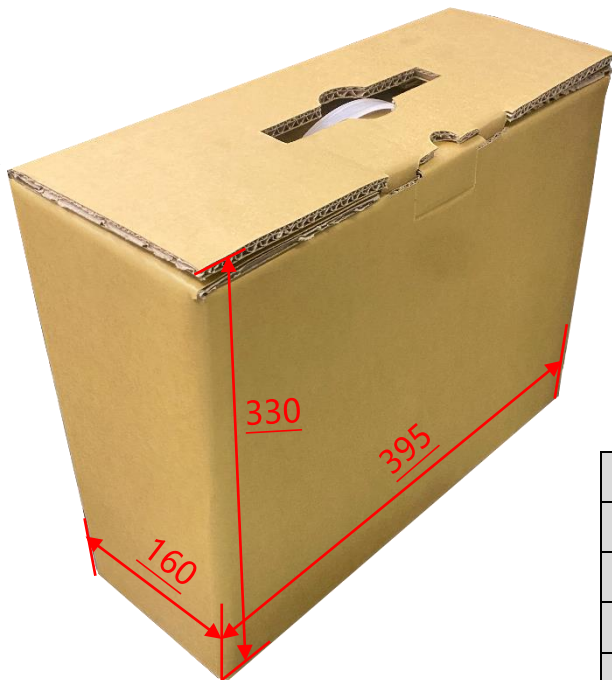
Item	B Stand	Part No.	DST-0B002/DST-1B002
Mounting Pattern	100x100 / 75x75 mm	Dimension (WxHxD)	203x275x227 mm
Material	Steel/Plastic/Aluminum	Net Weight	1.8 KG
Tilt (Hinge)	-2° ~ +180°	Support Max. Weight	15 KG



Wall Mount Bracket (Option)



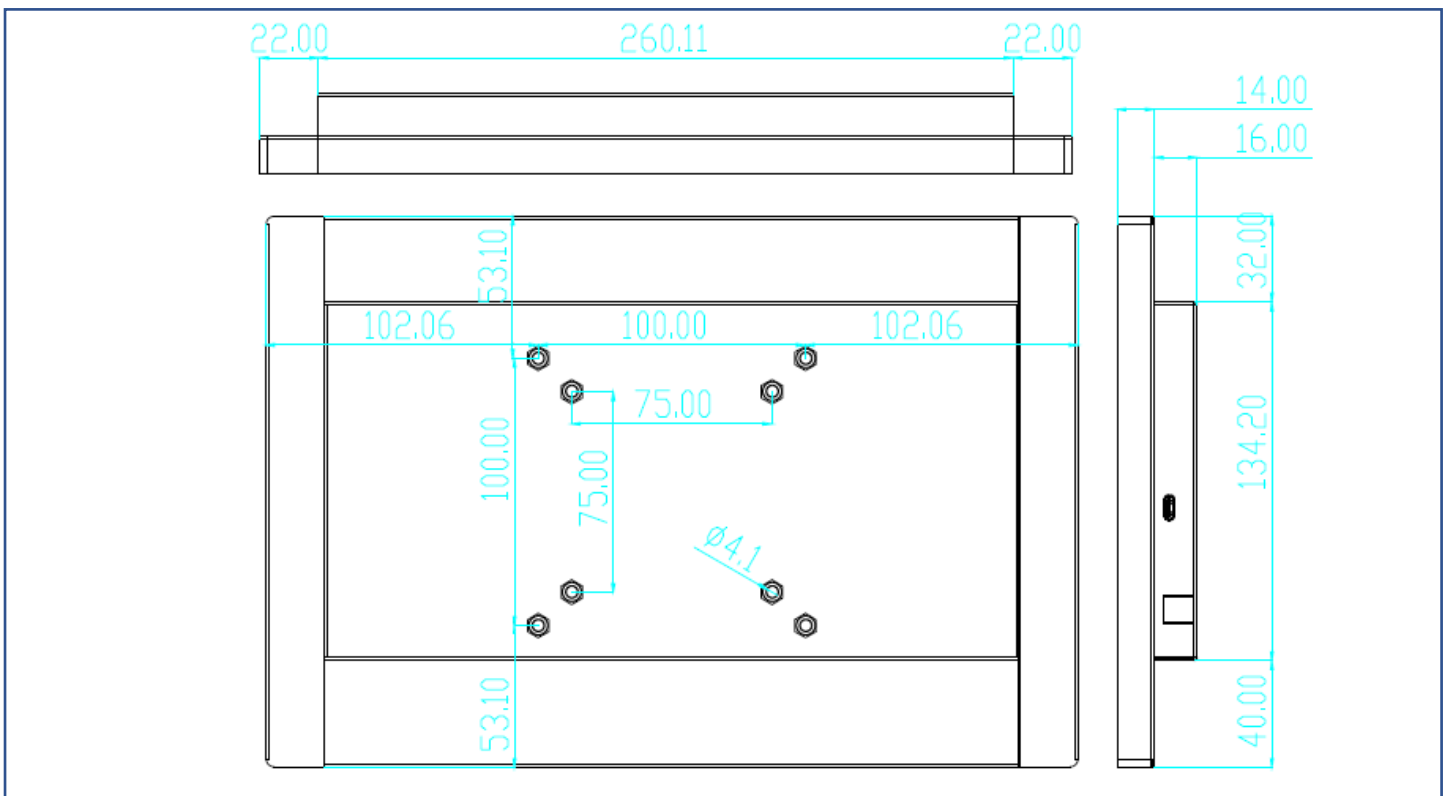
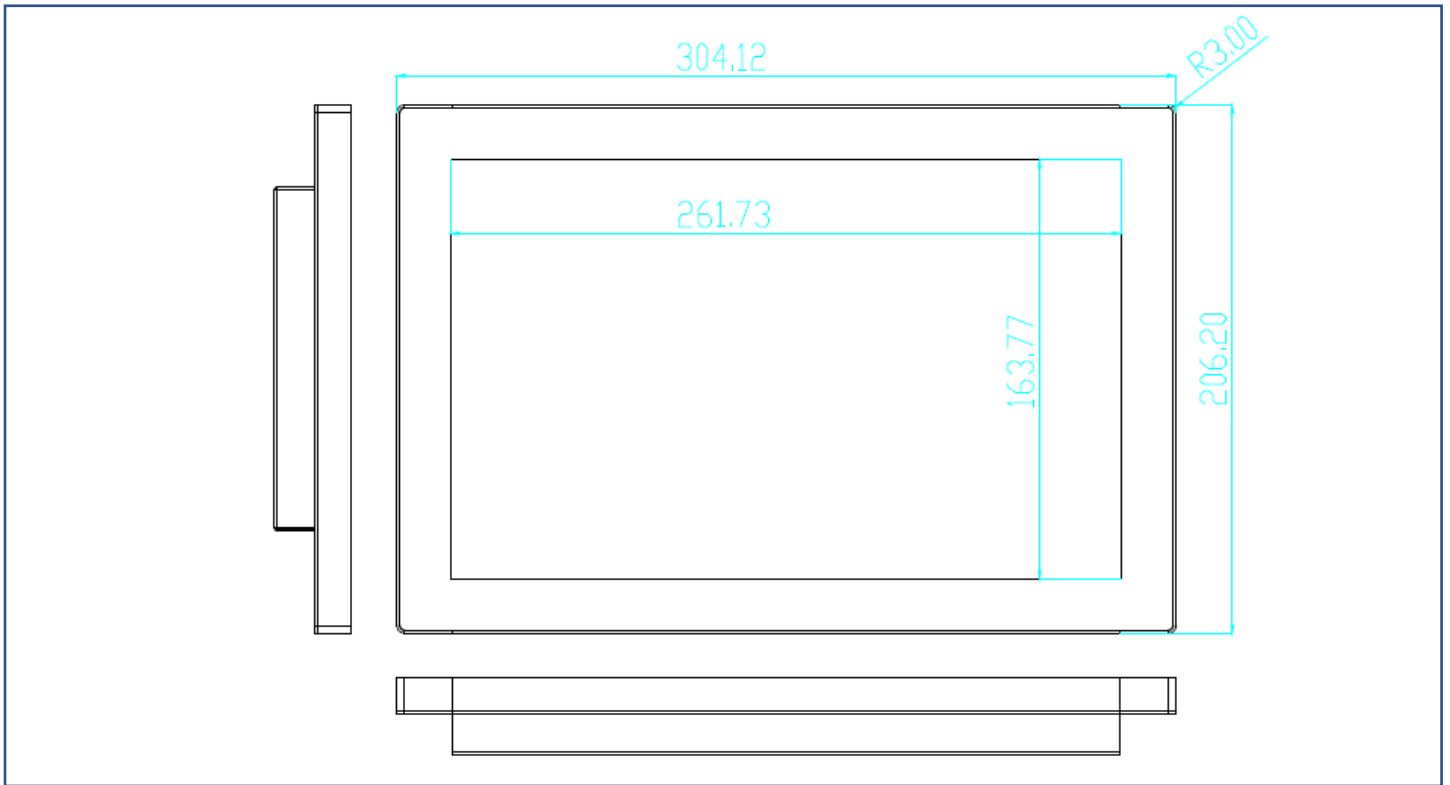
Packing Information



Unit Carton Size	395x160x330 mm
Unit N. Weight	≤1.8 KG
Unit G. Weight	≤2.5 KG
Units per Pallet	72 units
Pallet Size	120x100x142 CM

Physical Specifications

Dimension (Max)	304x206x30(±1)mm	Net Weight	≤ 1.8 KG
VESA Mounting	75x75 / 100x100 mm	Gross Weight	≤ 2.5 KG



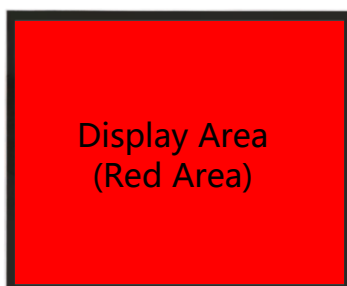
Cosmetic Inspection Standard

Display Area Allowance			
Defect description	Defective Specifications	Allowance	Remarks
Dot Defect (including dark dot, particles, bubbles, pits, dust, foreign matter)	$D \leq 0.2\text{mm}$	Ignored	D=Diameter
	$0.2 < D \leq 0.7\text{mm}$	$N \leq 5$	N=Quantity
	$0.7 < D \leq 1\text{mm}$	$N \leq 3$	
	$D > 1\text{mm}$	$N \leq 0$	
Linear Defect (including scratches, fluff, particles)	$W \leq 0.15\text{mm}$	Ignored	W=Width
	$0.15 < W \leq 0.5\text{mm}, L \leq 15\text{mm}$	$N \leq 2$	L=Length
	$W > 0.5\text{mm}$ or $L > 15\text{mm}$	NG	

* Visual inspection distance: 60cm, 90 degree (same for front/side/back)

Front Appearance Allowance (Including Coating)			
Defect description	Defective Specifications	Allowance	Remarks
Dot Defect (including particles, bubbles, pits...etc.)	$D \leq 0.7\text{mm}$	Ignored	D=Diameter
	$0.7 < D \leq 1.5\text{mm}$	$N \leq 3$	N=Quantity
	$D > 1.5\text{mm}$	$N \leq 0$	
Linear Defect (including scratches, fluff, particles)	$W \leq 0.2\text{mm}, L \leq 15\text{mm}$	Ignored	W=Width, L=Length
	$0.2 < W \leq 0.7\text{mm}, L \leq 15\text{mm}$	$N \leq 1$	
	$W > 0.7\text{mm}$ or $L > 15\text{mm}$	NG	

Side / Back Appearance Allowance (Including Coating)			
Defect description	Defective Specifications	Allowance	Remarks
Dot Defect (including particles, bubbles, pits...etc.)	$D \leq 1.5\text{mm}$	Ignored	D=Diameter
	$1.5 < D \leq 3\text{mm}$	$N \leq 8$	N=Quantity
	$D > 3\text{mm}$	$N \leq 2$	
Linear Defect (including scratches, fluff, particles)	$W \leq 0.8\text{mm}, L \leq 15\text{mm}$	Ignored	W=Width, L=Length
	$0.8 < W \leq 1.5\text{mm}, L \leq 15\text{mm}$	$N \leq 5$	
	$W > 1.5\text{mm}$ or $L > 15\text{mm}$	NG	



Display Area
(Red Area)



Front Appearance (Red Area)



Back Appearance