

Product Specifications

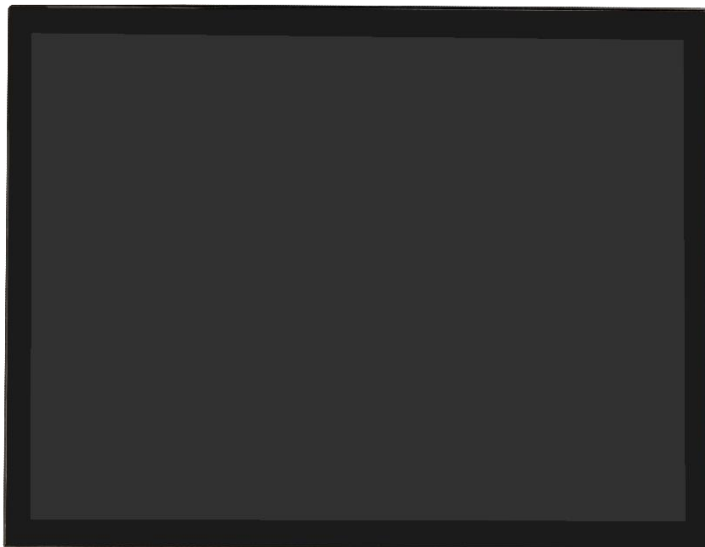
Customer	
Model	NTSP121-1 V500



Records of Revision			
Vision	Modifying	Old Description	New Description
v2011.1	Preliminary Specifications		
v2011.2	Add the Panel Mount Kits Option		
v2011.3	Updating packaging methods		
v2011.4	New trademark released		

Features

- ★ 12.1 inch Industrial Grade Panel, 1024x768 Resolution
- ★ IAV Wide Viewing Angle Technology , 178°/178°
- ★ Wide Operating Temperature Range -30~70°C
- ★ Narrow Bezel, True Flat Projected Capacitive Touch Screen
- ★ 7H Hardness Tempered Cover Glass
- ★ 10 points Multi-touch, Supports NEXTECH Dedicated Stylus
- ★ Metal Cabinet with Diverse Combine Options
- ★ Made in Taiwan, 3 Years Warranty, Designed for Harsh Environments
- ★ Optional Video Input (VGA/DVI/HDMI/DP)
- ★ Optional Software Remote Control by RS232 or DDC/CI
- ★ Optional High Brightness 1500nits, for Outdoor Environment
- ★ Optional Auto Dimming Function (with Light Sensor)
- ★ Optional AG Coating/Antibacterial/Privacy Filter Surface Treatment



Desktop Stand



Wall Mounting



Open-frame Brackets



Panel Mount

Display Specifications

Model Name	NTSP121XXSXX-XXXXX0-500*	Display Mode	IAV Mode, Normally Black
Screen Diagonal	12.1 inch	Response Time	25 msec.
Display Area	245.76x184.32 mm	Backlight Unit	LED (white LED)
Resolution	1024x768 (XGA)	Viewing Angle (L/R, U/D)	178°/178° (CR_≥10)
Contrast Ratio	1000:1	Backlight Lifetime	>30,000 Hours
Display Ratio	4:3	Operating Temp.	-30~70°C
Support Colors	1.67M Colors	Storage Temp.	-40~80°C
Pixel Pitch	0.240x0.240 mm		

* X = A~Z, 0~9 (Depends on options)

Display Options

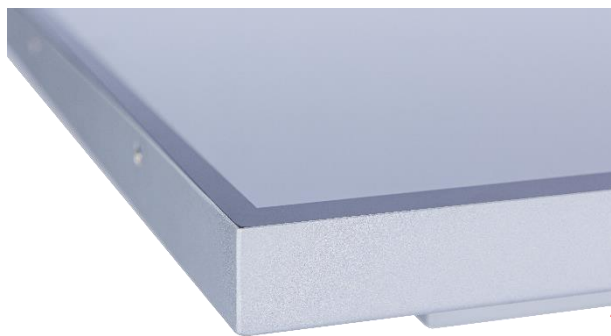
Brightness			
	Brightness	Environment	Model Name
Standard	500nits	General (Indoor)	NTSP121NXSXX-XXXXX0-500
Option 1	1000nits	Outdoor Environment	NTSP121AXSXX-XXXXX0-500
Option 2	1500nits	Sunlight Readable	NTSP121FXSXX-XXXXX0-500

Accessories

Item	Description	Quantity
HDMI Cable	Male to Male, 1.8 Meter	1
AC-DC Adapter	12V with CE/FCC/CCC/UL/RoHS/PSE/JET Certification	1
Power Cord	*Country Specific	1
USB Cable	A type, Male to Male, 1.8 Meter *(only for touch monitor)	1

Touch Options

Projected Capacitive			
Model Name	NTSP121X <u>P</u> SXX-XXXXX0-500		
Touch Technology	Projected Capacitive	Transparency	≥87%
Allowed Touch Points	10 points	Accuracy	99.00%
Interface	USB/RS232 (Option)	Thickness of Cover Lens	1.8±0.2mm
IK Ratings	IK07	Hardness of Cover Lens	7H



* 全平面, 邊框 1mm

Non-Touch	
Model Name	NTSP121X <u>0</u> SXX-XXXX00-500

Passive Stylus Pen (Option)	
Technology	Passive High Sensitive Knitted Wire Mesh Fiber Tip
Size of tip	6mm
Magnetic Attachment	Yes



Magnetic Attachment

General Options

Video Input		
	Description	Model Name
Standard	VGA+HDMI+DP	NTSP121XXS<u>32</u>-XXXXX0-500
Option	VGA+DVI	NTSP121XXS <u>11</u> -XXXXX0-500



VGA+HDMI+DP



VGA+DVI

Power Input		
	Description	Model Name
Standard	12V, Lockable DC Jack Φ2.1mm	NTSP121XXS<u>32</u>-XXXXX0-500
Option 1	12VDC, DC Jack Φ 2.1mm	NTSP121XXS <u>11</u> -XXXXX0-500



Lockable Power Jack

Surface Treatment		
	Description	Model Name
Standard	(none)	NTSP121XXSXX-<u>00</u>XXX0-500
Option 1	Anti-Glare Coating	NTSP121XXSXX- <u>GG</u> XXX0-500
Option 2	Antibacterial (AB Film)	NTSP121XXSXX- <u>AB</u> XXX0-500
Option 3	Anti-Spy (AS Film)	NTSP121XXSXX- <u>SF</u> XXX0-500

General Options (Continued)

Color of Cabinet		
	Description	Model Name
Standard	Black	NTSP121XXSXX-XXBXX0-500
Option 1	White	NTSP121XXSXX-XXWXX0-500
Option 2	Silver	NTSP121XXSXX-XXSXX0-500
Options	Other Colors	NTSP121XXSXX-XXXXX0-500

* X = A~Z, 0~9 (Depends on Color)

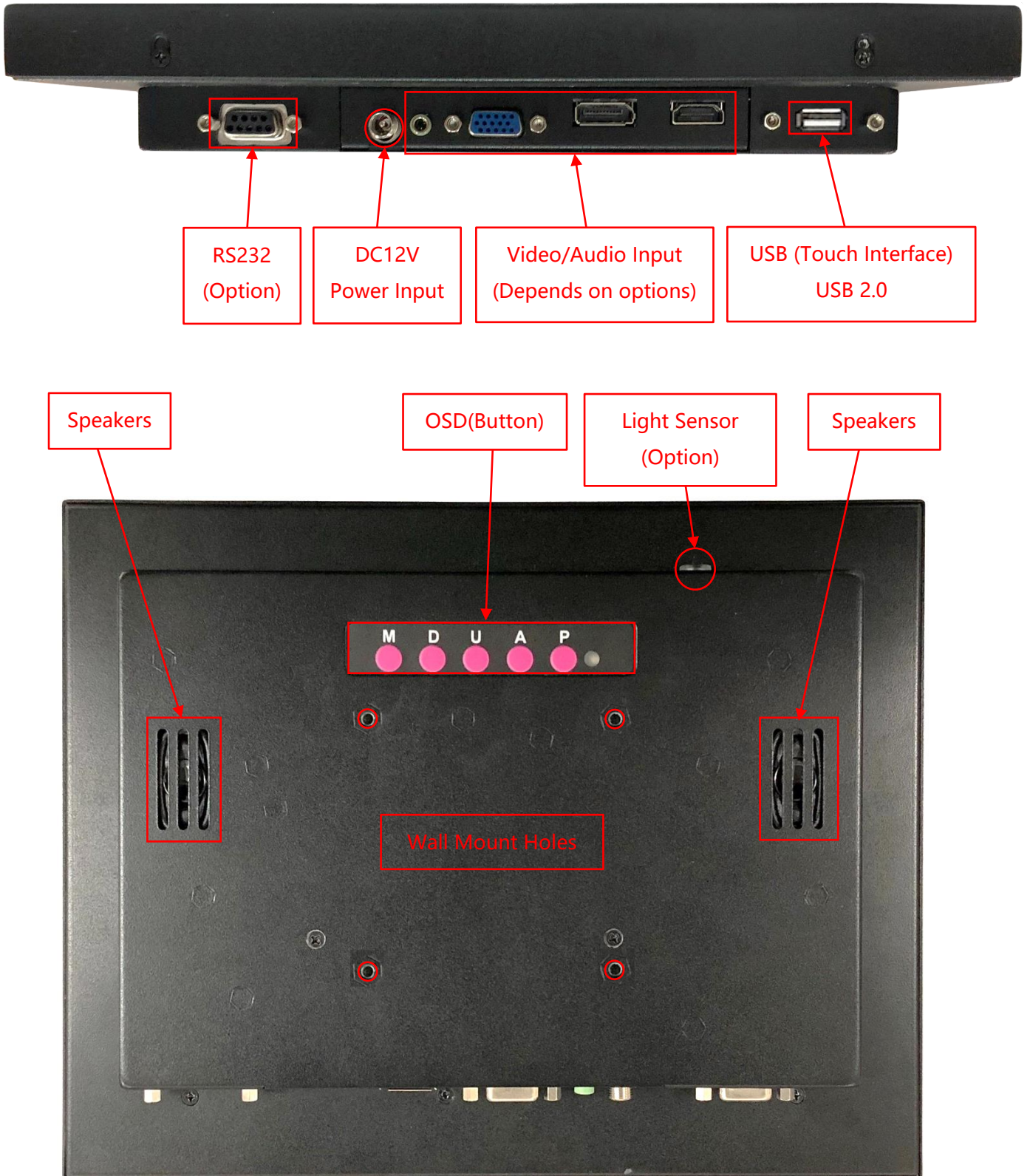
Material of Cabinet		
	Description	Model Name
Standard	SECC	NTSP121XXSXX-XXXSX0-500
Option 1	Stainless Steel	NTSP121XXSXX-XXXLX0-500
Option 2	Aluminum	NTSP121XXSXX-XXXAX0-500

Touch Interface		
	Description	Model Name
Standard	USB	NTSP121XPSXX-XXXXU0-500
Option 1	RS232	NTSP121XPSXX-XXXXR0-500
Option 2	Non-Touch	NTSP121X0SXX-XXXXO0-500

Supported OS

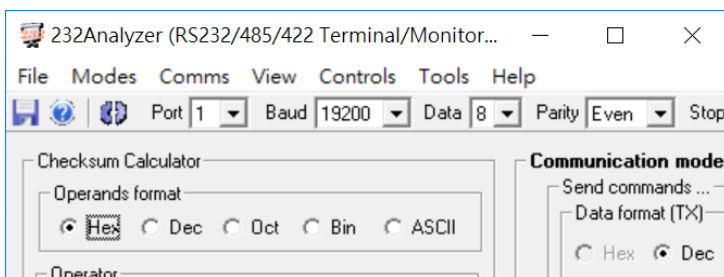
Windows	Win7, Win8, Win10, Win11 ↑
Linux	Kernel 2.6.24 ↑
Android	3.0 ↑
Mac	10.5.x ↑ (Intel CPU)

Input /Output System



Other Options

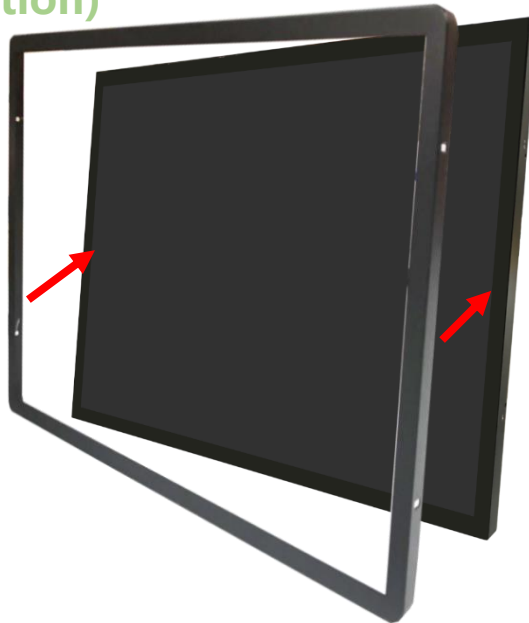
OSD Control		
	Item	Description
Standard	Button	Rear Physical Button
Option 1	Software Remote Control	Software Remote Control by RS232/Serial Port
Option 2	Auto Dimming	Auto Brightness Adjusting by Light Sensor



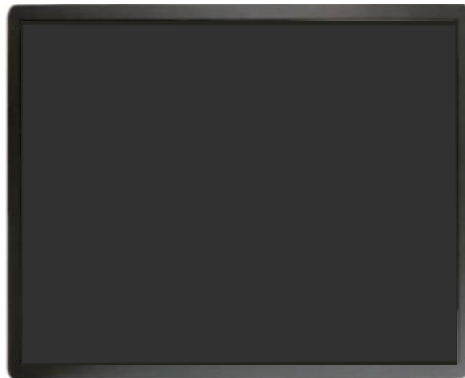
* Software Remote Control



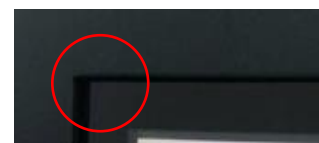
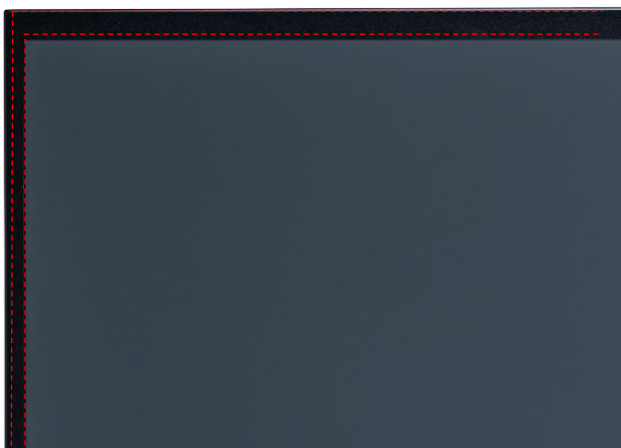
Front Cover (Option)



The standard **NTSP121** is true flat surface, with only 1mm metal bezel.
To protect the corners of the touch screen, the **Front Cover** can be added.

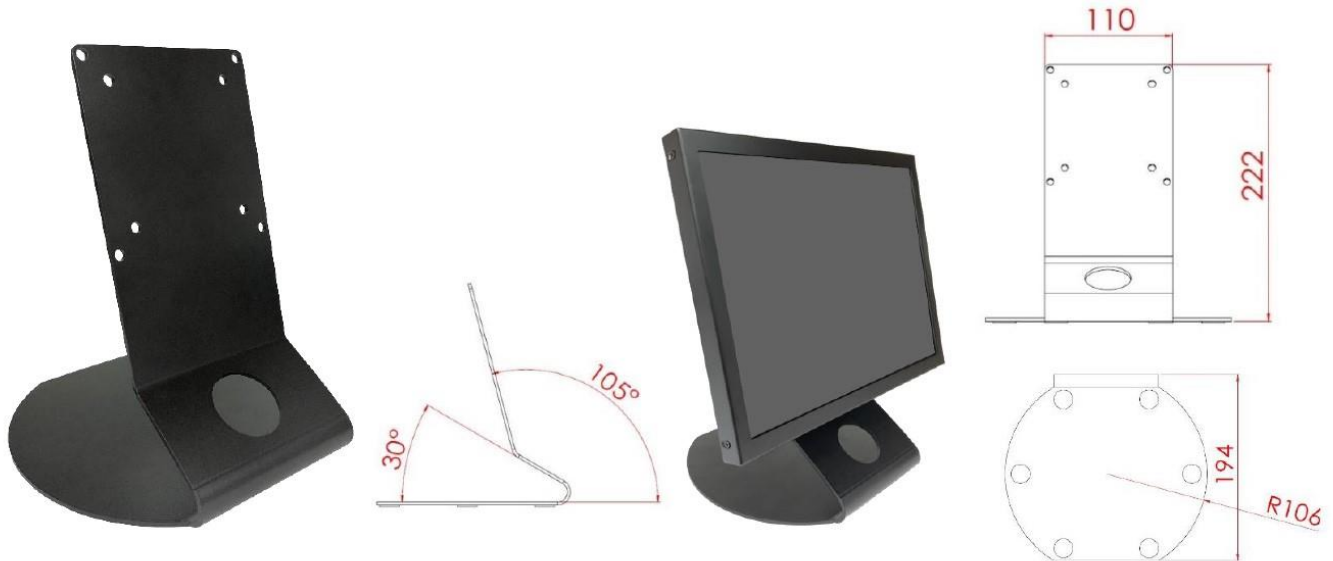


The watertight gasket can be added between the **Front Cover** and **NTSP121**.
It complies **IP65** on front.



Desktop Stand (Option)

Item	L Stand	Part No.	DST-0B004/DST-1B004
Mounting Pattern	100x100 / 75x75 mm	Dimension (WxHxD)	194x194x222 mm
Material	SECC	Net Weight	1.4 KG
Tilt (Hinge)	105°	Support Max. Weight	15 KG

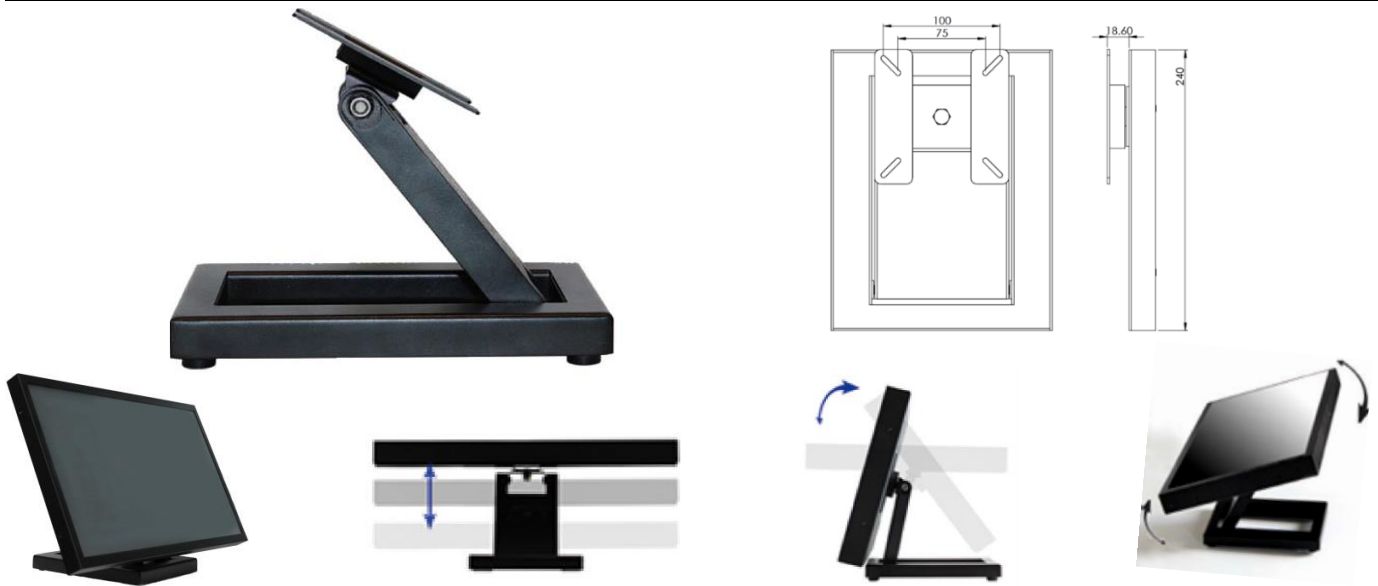


Item	B Stand	Part No.	DST-0B002/DST-1B002
Mounting Pattern	100x100 / 75x75 mm	Dimension (WxHxD)	203x275x227 mm
Material	Steel/Plastic/Aluminum	Net Weight	1.8 KG
Tilt (Hinge)	-2° ~ +180°	Support Max. Weight	15 KG

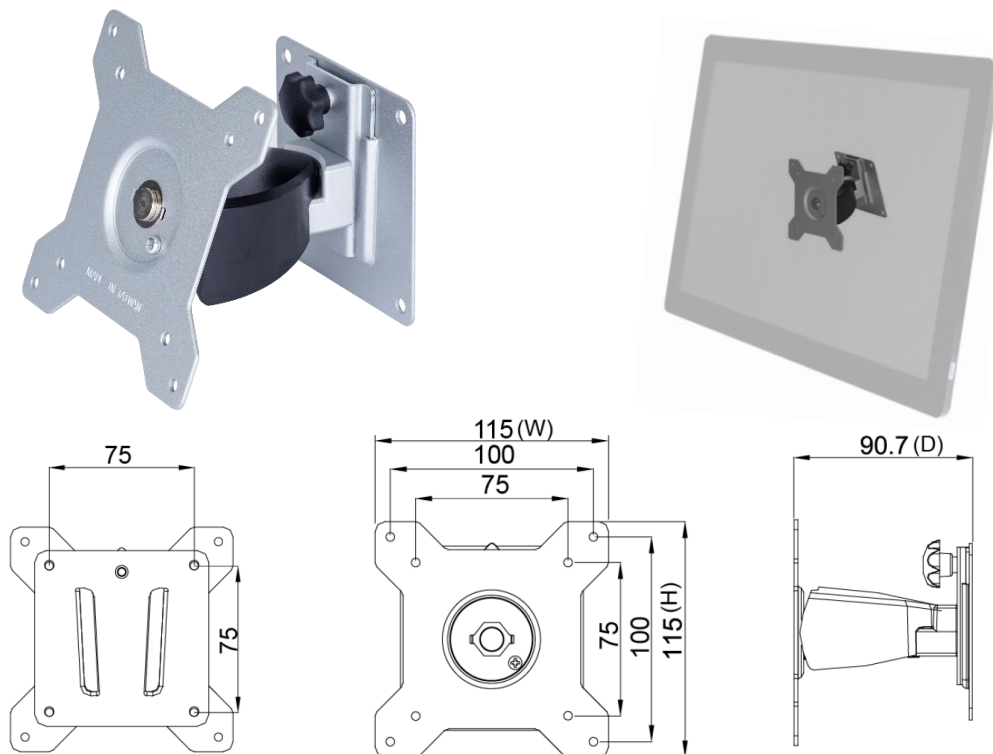


Desktop Stand (Option)

Item	Z Stand	Part No.	DST-0BZ01/DST-1BZ01
Mounting Pattern	100x100 / 75x75 mm	Dimension (WxHxD)	190x240x41.6 mm
Material	SECC	Net Weight	2.6 KG
Tilt (Hinge)	±360°	Support Max. Weight	15 KG



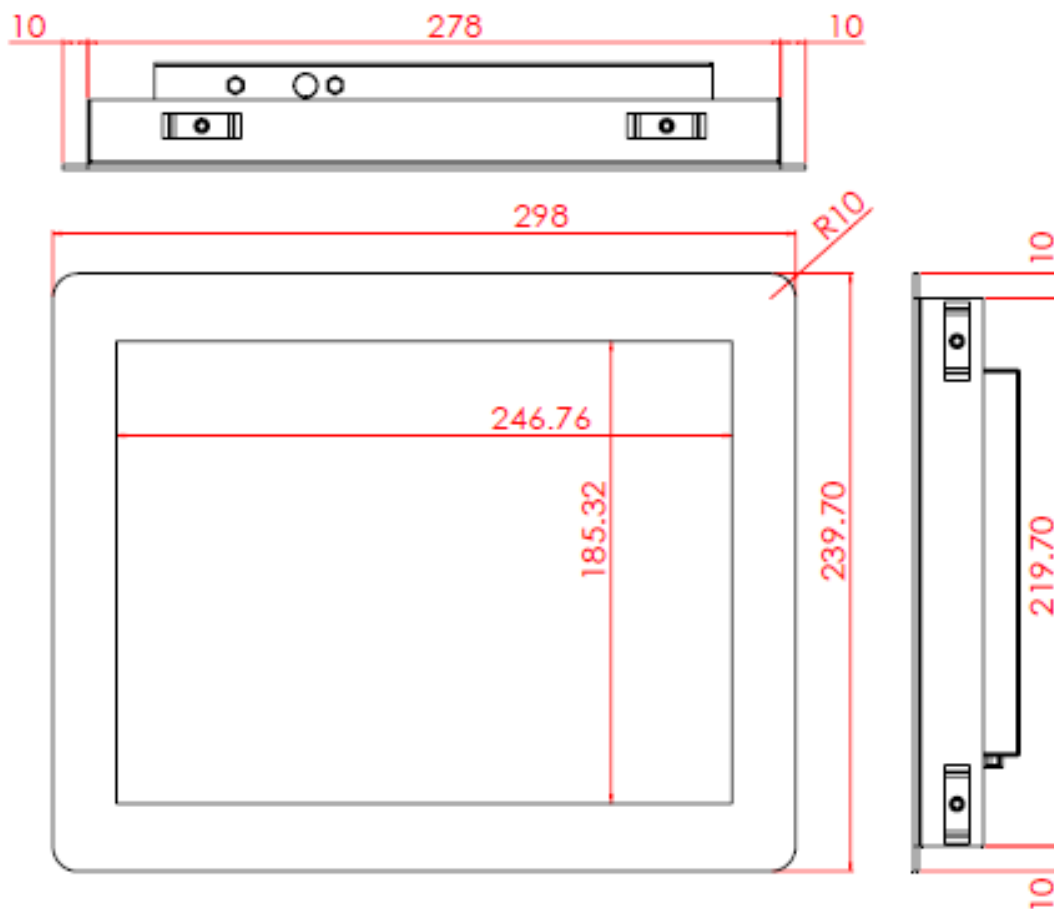
Wall Mount Bracket (Option)



Panel Mount Kits (Option)

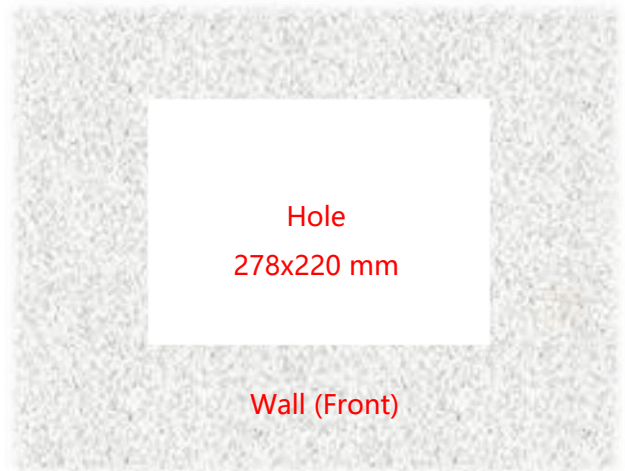


Dimension for Installing with Panel Mount Kits





Step 1: Assemble the front module with the screen body. (This step is pre-assembled at the factory.)

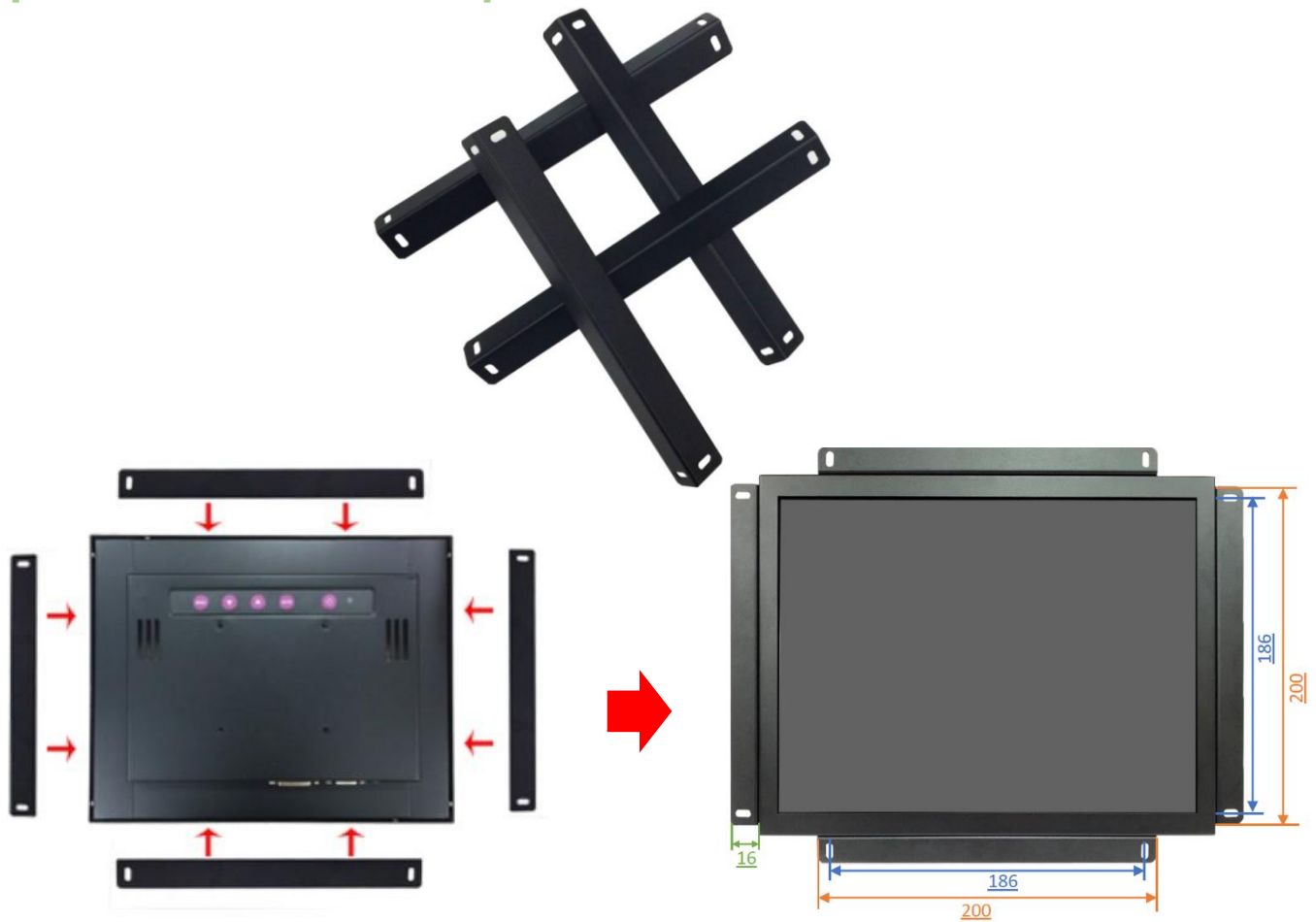


Step 2: Insert the screen from the front into the pre-cut opening.

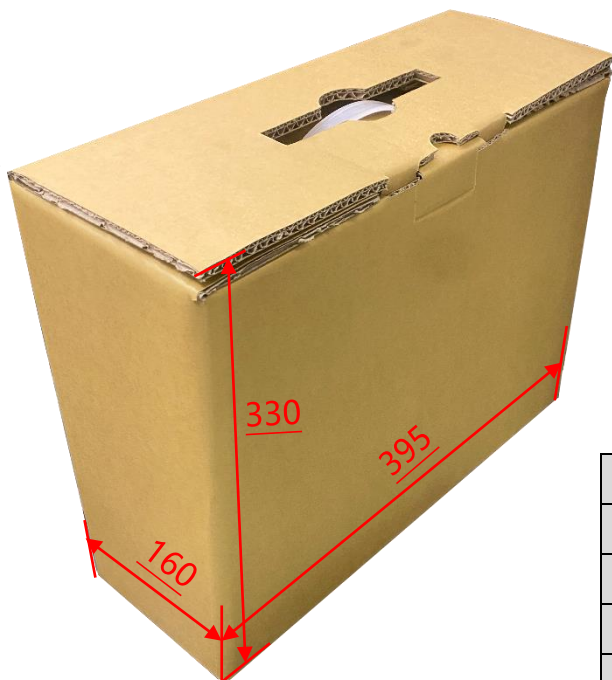


Step 3: Attach the clips from the back and secure with screws. (Up to 8 clips can be installed as needed or per positional limitations.)

Open-frame Brackets (Option)



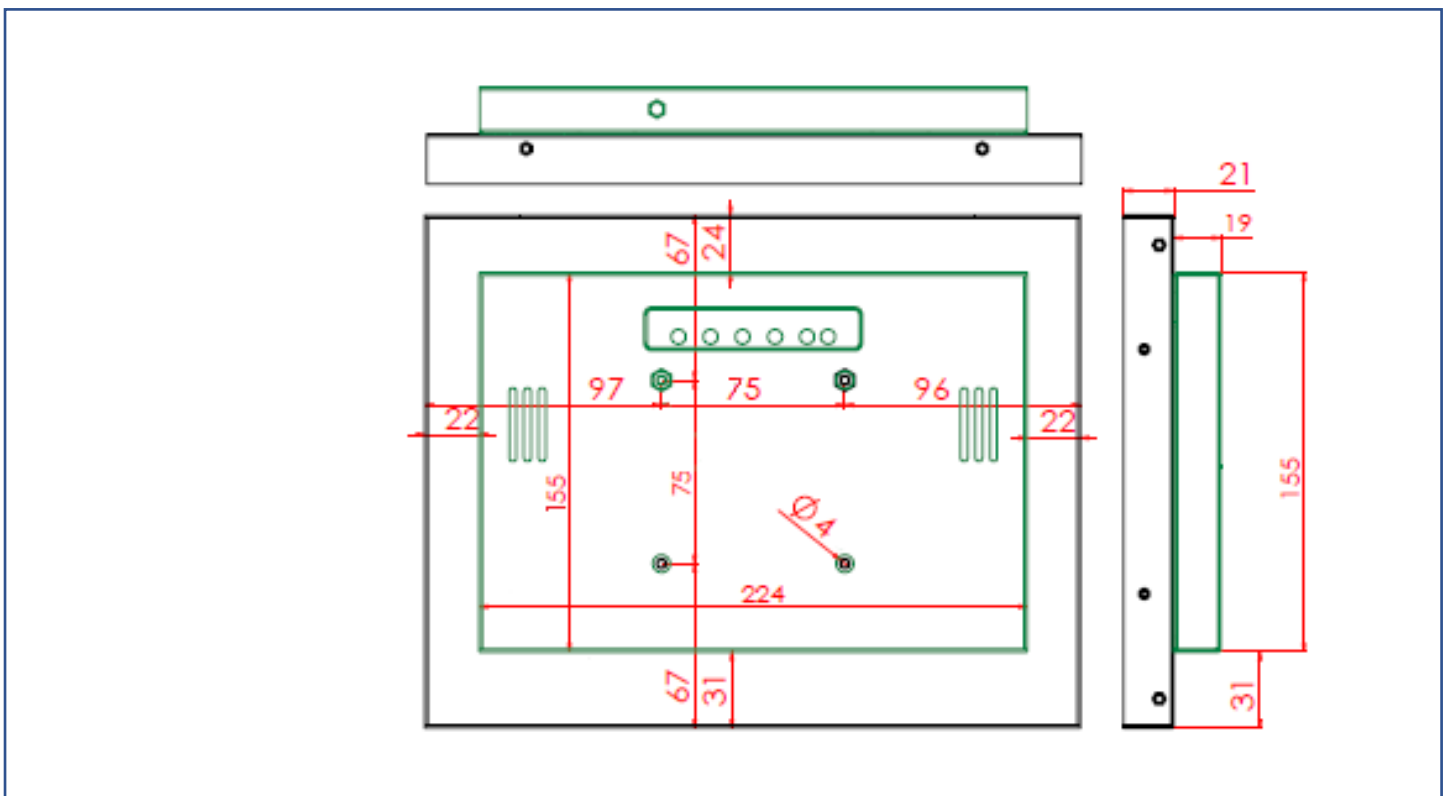
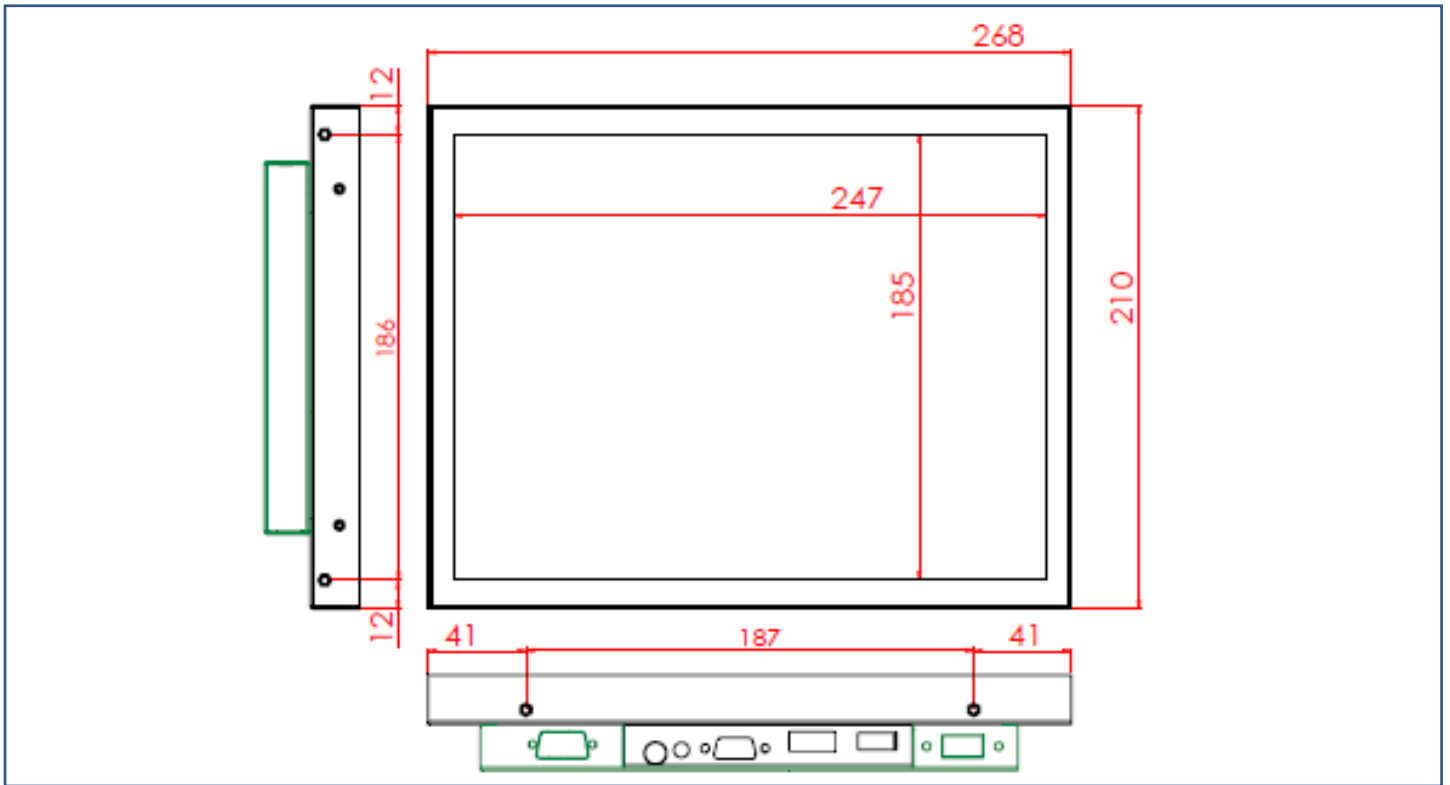
Packing Information



Unit Carton Size	395x160x330 mm
Unit N. Weight	≅1.9 KG
Unit G. Weight	≅3.0 KG
Units per Pallet	72 units
Pallet Size	120x100x142 CM

Physical Specifications

Dimension (Max)	268x210x40(±2)mm	Net Weight	≤1.9 KG
VESA Mounting	75x75 mm	Gross Weight	≤3.0 KG



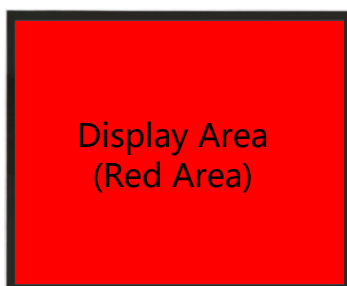
Cosmetic Inspection Standard

Display Area Allowance			
Defect description	Defective Specifications	Allowance	Remarks
Dot Defect (including dark dot, particles, bubbles, pits, dust, foreign matter)	$D \leq 0.2\text{mm}$	Ignored	D=Diameter
	$0.2 < D \leq 0.7\text{mm}$	$N \leq 5$	N=Quantity
	$0.7 < D \leq 1\text{mm}$	$N \leq 3$	
	$D > 1\text{mm}$	$N \leq 0$	
Linear Defect (including scratches, fluff, particles)	$W \leq 0.15\text{mm}$	Ignored	W=Width
	$0.15 < W \leq 0.5\text{mm}, L \leq 15\text{mm}$	$N \leq 2$	L=Length
	$W > 0.5\text{mm}$ or $L > 15\text{mm}$	NG	

* Visual inspection distance: 60cm, 90 degree (same for front/side/back)

Front Appearance Allowance (Including Coating)			
Defect description	Defective Specifications	Allowance	Remarks
Dot Defect (including particles, bubbles, pits...etc.)	$D \leq 0.7\text{mm}$	Ignored	D=Diameter
	$0.7 < D \leq 1.5\text{mm}$	$N \leq 3$	N=Quantity
	$D > 1.5\text{mm}$	$N \leq 0$	
Linear Defect (including scratches, fluff, particles)	$W \leq 0.2\text{mm}, L \leq 15\text{mm}$	Ignored	W=Width, L=Length
	$0.2 < W \leq 0.7\text{mm}, L \leq 15\text{mm}$	$N \leq 1$	
	$W > 0.7\text{mm}$ or $L > 15\text{mm}$	NG	

Side / Back Appearance Allowance (Including Coating)			
Defect description	Defective Specifications	Allowance	Remarks
Dot Defect (including particles, bubbles, pits...etc.)	$D \leq 1.5\text{mm}$	Ignored	D=Diameter
	$1.5 < D \leq 3\text{mm}$	$N \leq 8$	N=Quantity
	$D > 3\text{mm}$	$N \leq 2$	
Linear Defect (including scratches, fluff, particles)	$W \leq 0.8\text{mm}, L \leq 15\text{mm}$	Ignored	W=Width, L=Length
	$0.8 < W \leq 1.5\text{mm}, L \leq 15\text{mm}$	$N \leq 5$	
	$W > 1.5\text{mm}$ or $L > 15\text{mm}$	NG	



Display Area
(Red Area)



Front Appearance (Red Area)



Back Appearance