

Product Specifications

| | |
|-----------------|---------------------|
| Customer | |
| Model | NTSP101 V500 |



| Records of Revision | | | |
|---------------------|-------------------------------|-----------------|-----------------|
| Vision | Modifying | Old Description | New Description |
| v2108.2 | Preliminary Specification | | |
| v2108.3 | Updating packaging methods | | |
| v2108.4 | New trademark released | | |
| | | | |
| | | | |
| | | | |
| | | | |

Features

- ★ 10.1 inch Wide Screen Industrial Grade Panel, 1280x800 Resolution
- ★ AHVA Wide Viewing Angle Technology , 178°/178°
- ★ Wide Operating Temperature Range -20~60°C
- ★ Narrow Bezel, True Flat Projected Capacitive Touch Screen
- ★ 7H Hardness Tempered Cover Glass
- ★ 10 points Multi-touch
- ★ Metal Cabinet with Diverse Combine Options
- ★ Made in Taiwan, 3 Years Warranty, Designed for Harsh Environments
- ★ Optional Software Remote Control by DDC/CI
- ★ Optional Auto Dimming Function (with Light Sensor)
- ★ Optional AG Coating/Antibacterial/Privacy Filter Surface Treatment



PSE



BSMI



RoHS



CE



ISO9001



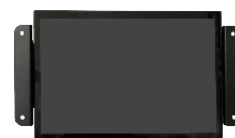
FCC



Desktop Stand



Wall Mounting



Open-frame Brackets

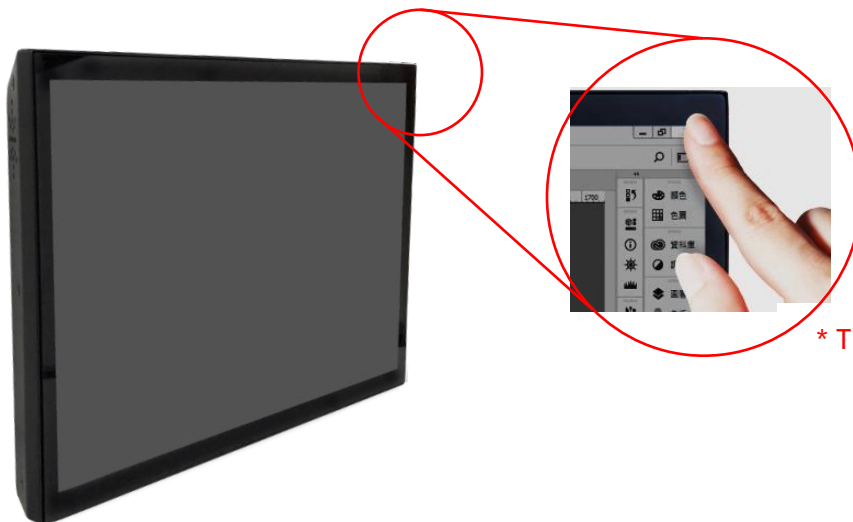
Display Specifications

| | | | |
|-----------------|---|--------------------------|----------------------------------|
| Model Name | NTSP101N <u>X</u> S32-XXXXX0-500* | Display Mode | AHVA Type, Normally Black |
| Screen Diagonal | 10.1 inch | Backlight Unit | LED (white LED) |
| Display Area | 216.96x135.6 mm | Response Time | 29 msec. (Typ.) |
| Resolution | 1280x800 | Viewing Angle (L/R, U/D) | 178°/178° |
| Contrast Ratio | 800:1 | Backlight Lifetime | >30,000 Hours |
| Display Ratio | 16:10 | Operating Temp. | -20~60°C |
| Support Colors | 16.7M Colors | Storage Temp. | -20~60°C |
| Pixel Pitch | 0.1695x0.1695 mm | Brightness | 400nits |

* X = A~Z, 0~9 (Depends on options)

Touch Options

| Projected Capacitive | | | |
|----------------------|---|-------------------------|-----------|
| Model Name | NTSP101N <u>P</u> S32-XXXXU0-500 | | |
| Touch Technology | Projected Capacitive | Transparency | ≥87% |
| Allowed Touch Points | 10 points | Accuracy | 99.00% |
| Interface | USB | Thickness of Cover Lens | 1.1±0.2mm |
| IK Ratings | IK07 | Hardness of Cover Lens | 7H |



* True Flat, 1mm Bezel

| Non-Touch | |
|------------|---|
| Model Name | NTSP101N <u>0</u> S32-XXXX00-500 |

General Options

| Surface Treatment | | |
|-------------------|-------------------------|---------------------------------------|
| | Description | Model Name |
| Standard | (none) | NTSP101NXS32-<u>00</u>XXX0-500 |
| Option 1 | Anti-Glare Coating | NTSP101NXS32- <u>AB</u> XXX0-500 |
| Option 2 | Antibacterial (AB Film) | NTSP101NXS32- <u>AB</u> XXX0-500 |
| Option 3 | Anti-Spy (AS Film) | NTSP101NXS32- <u>SF</u> XXX0-500 |

| Color of Cabinet | | |
|------------------|--------------|--|
| | Description | Model Name |
| Standard | Black | NTSP101NXS32-<u>XX</u>BXX0-500 |
| Option 1 | White | NTSP101NXS32- <u>XX</u> W XX0-500 |
| Option 2 | Silver | NTSP101NXS32- <u>XX</u> S XX0-500 |
| Options | Other Colors | NTSP101NXS32- <u>XX</u> X XX0-500 |

* X = A~Z, 0~9 (Depends on Color)

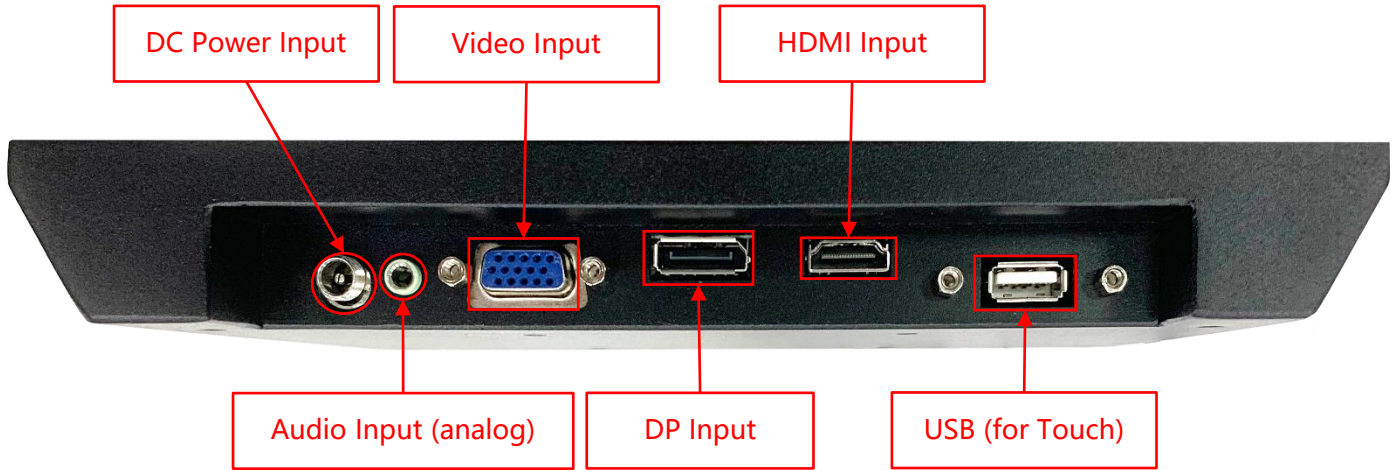
| Material of Cabinet | | |
|---------------------|-----------------|--|
| | Description | Model Name |
| Standard | SECC | NTSP101NXS32-<u>XXX</u>SX0-500 |
| Option 1 | Stainless Steel | NTSP101NXS32- <u>XXX</u> L X0-500 |
| Option 2 | Aluminum | NTSP101NXS32- <u>XXX</u> A X0-500 |

| Touch Interface | | |
|-----------------|-------------|--|
| | Description | Model Name |
| Standard | USB | NTSP101NPS32-<u>XXXX</u>U0-500 |
| Option | Non-Touch | NTSP101N0S32- <u>XXXX</u> 0 0-500 |

Accessories

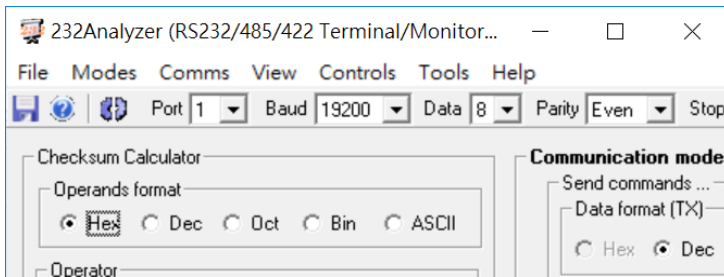
| Item | Description | Quantity |
|---------------|---|----------|
| HDMI Cable | Male to Male, 1.8 Meter | 1 |
| AC-DC Adapter | 12V with CE/FCC/CCC/UL/RoHS/PSE/JET Certification | 1 |
| Power Cord | *Country Specific | 1 |
| USB Cable | A type, Male to Male, 1.8 Meter *(only for touch monitor) | 1 |

Input /Output System



Other Options

| OSD Control | | |
|-----------------|-------------------------|--|
| | Item | Description |
| Standard | Button | Rear Physical Button |
| Option 1 | Software Remote Control | Software Remote Control by RS232/Serial Port |
| Option 2 | Auto Dimming | Auto Brightness Adjusting by Light Sensor |



* Software Remote Control



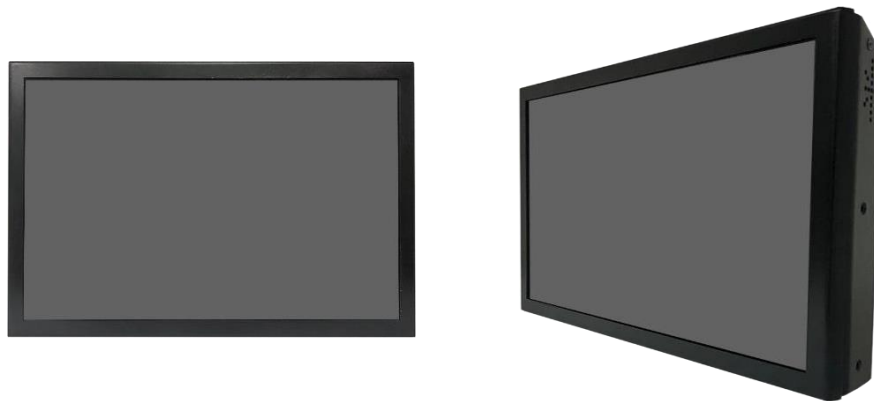
Supported OS

| | |
|---------|----------------------------|
| Windows | Win7, Win8, Win10, Win11 ↑ |
| Linux | Kernel 2.6.24 ↑ |
| Android | 3.0 ↑ |
| Mac | 10.5.x ↑ (Intel CPU) |

Front Cover (Option)



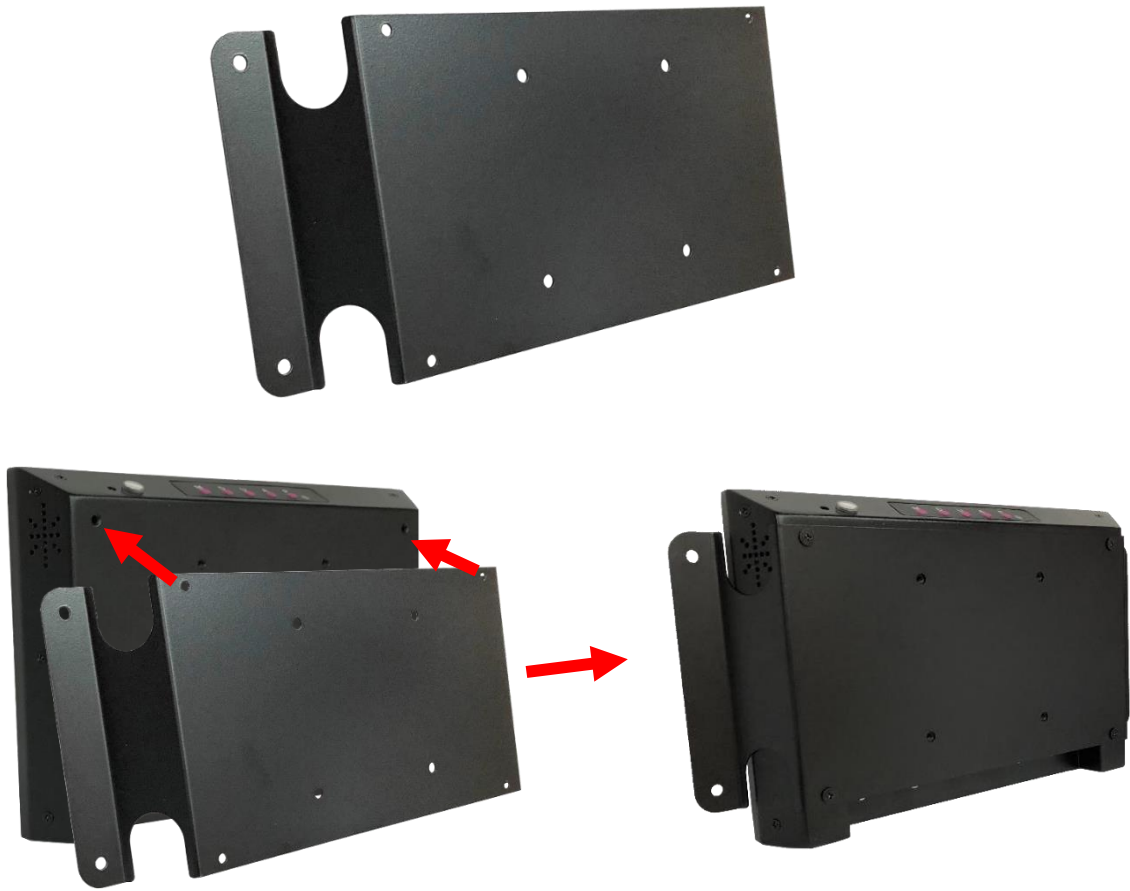
The standard **NTSP101** is true flat surface, with only 1mm metal bezel
To protect the corners of the touch screen, the **Front Cover** can be added.



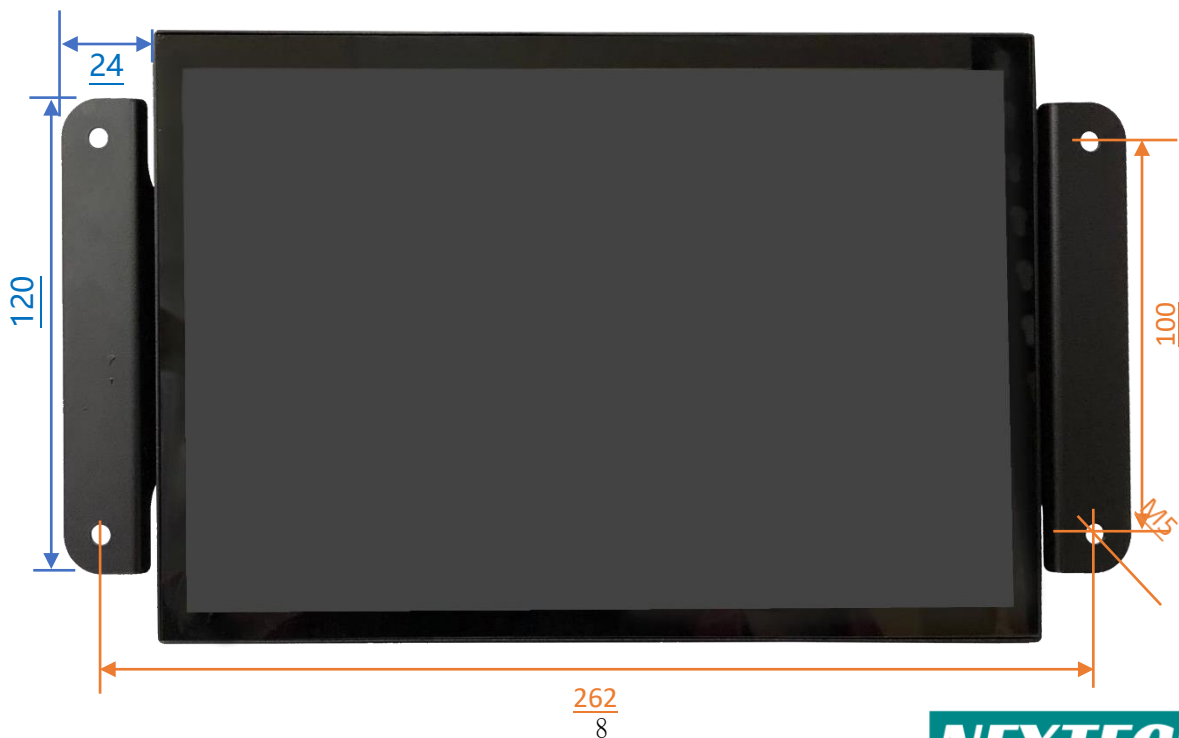
The watertight gasket can be added between the **Front Cover** and **NTSP101**.
It complies **IP65** on front.



Open-frame Brackets (Option)

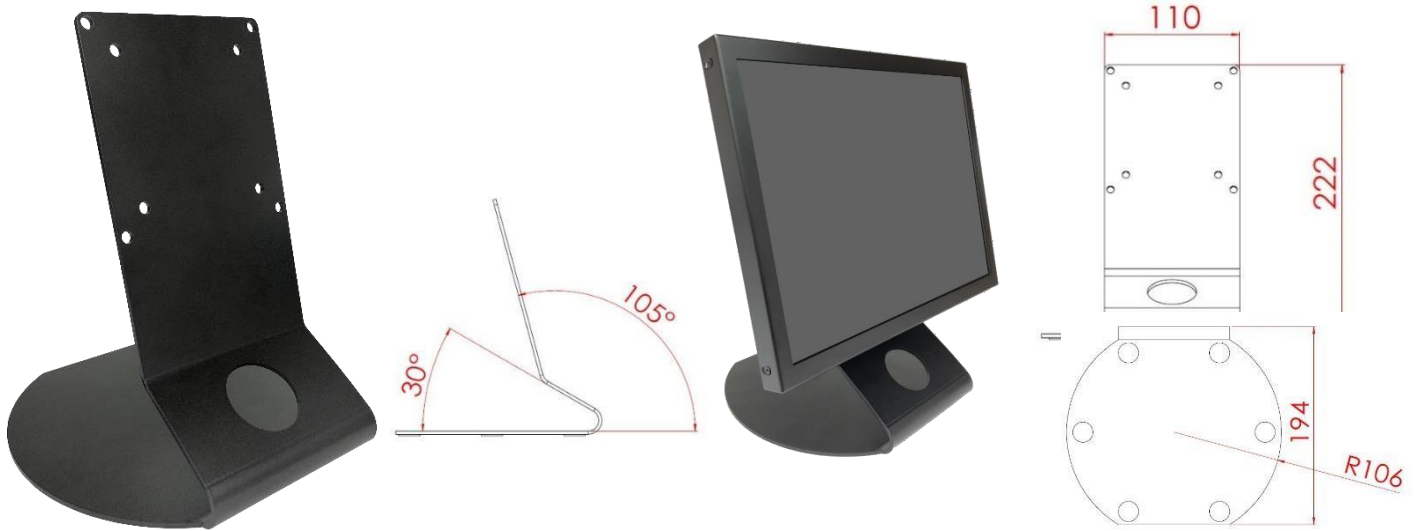


Dimension for Installing with Open-frame Brackets



Desktop Stand (Option)

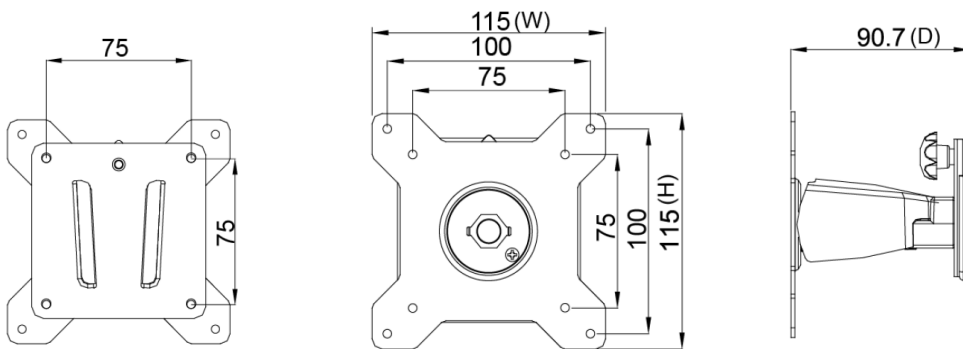
| | | | |
|------------------|--------------------|---------------------|---------------------|
| Item | L Stand | Part No. | DST-0B004/DST-1B004 |
| Mounting Pattern | 100x100 / 75x75 mm | Dimension (WxHxD) | 194x194x222 mm |
| Material | SECC | Net Weight | 1.4 KG |
| Tilt (Hinge) | 105° | Support Max. Weight | 15 KG |



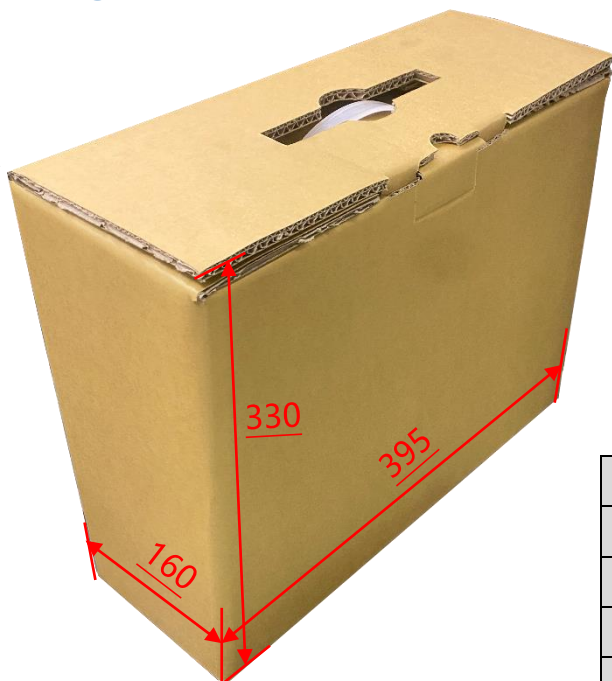
| | | | |
|------------------|------------------------|---------------------|---------------------|
| Item | B Stand | Part No. | DST-0B002/DST-1B002 |
| Mounting Pattern | 100x100 / 75x75 mm | Dimension (WxHxD) | 203x275x227 mm |
| Material | Steel/Plastic/Aluminum | Net Weight | 1.8 KG |
| Tilt (Hinge) | -2° ~ +180° | Support Max. Weight | 15 KG |



Wall Mount Bracket (Option)



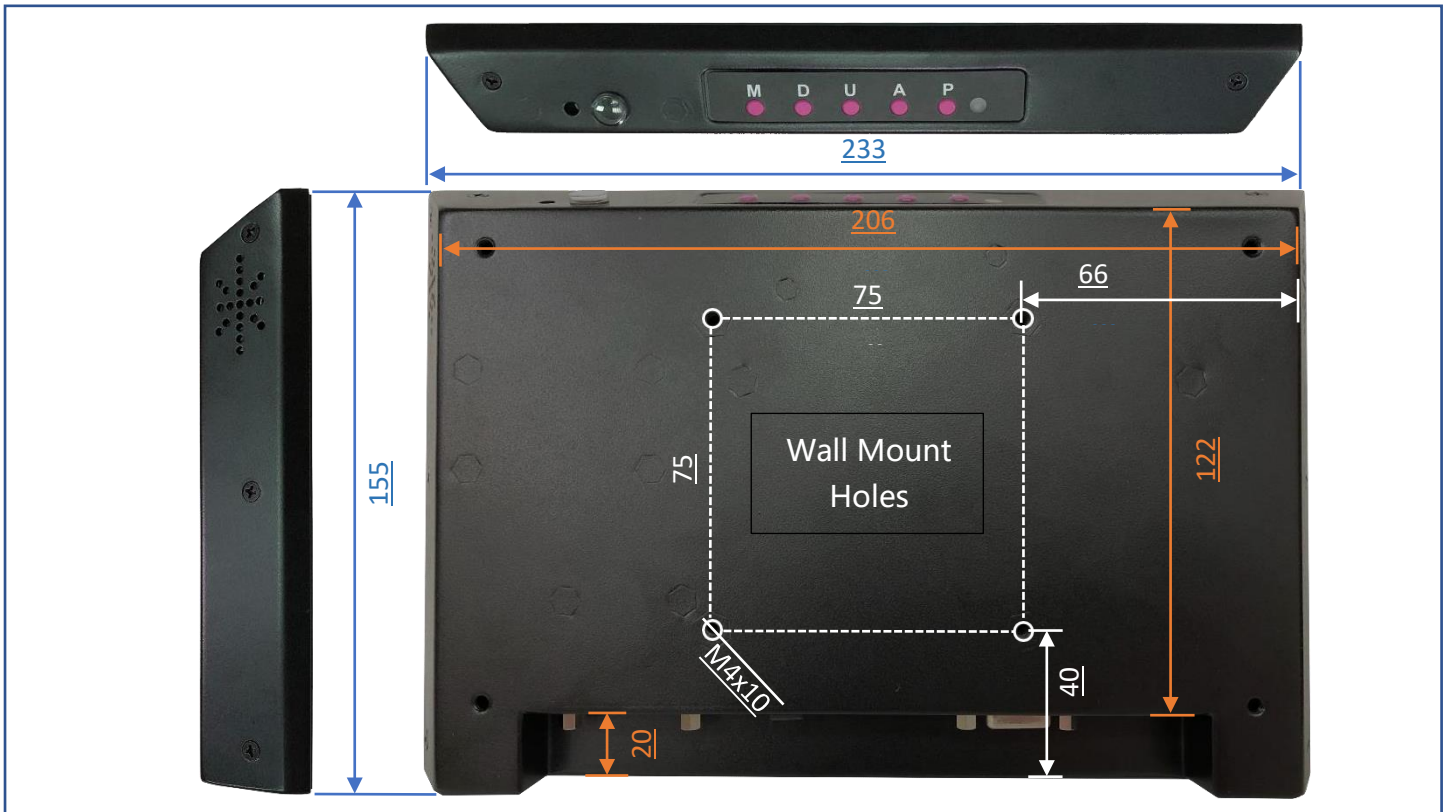
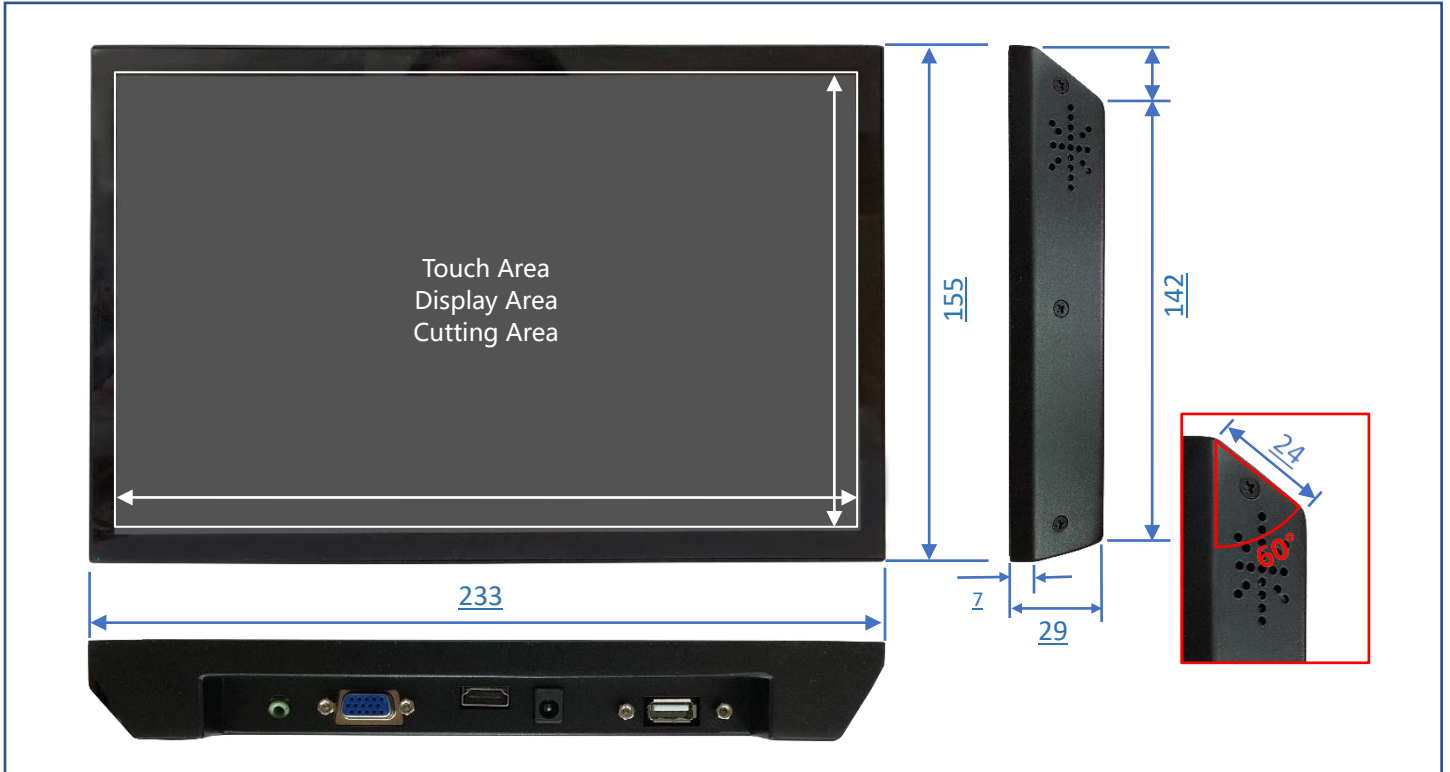
Packing Information



| | |
|------------------|-----------------------|
| Unit Carton Size | 395x160x330 mm |
| Unit N. Weight | ≦1.1 KG |
| Unit G. Weight | ≦2.2 KG |
| Units per Pallet | 72 units |
| Pallet Size | 120x100x142 CM |

Physical Specifications

| | | | |
|-----------------|-------------------|--------------|---------|
| Dimension (Max) | 233x155x29(±2) mm | Net Weight | ≤1.1 KG |
| VESA Mounting | 75x75 mm | Gross Weight | ≤2.2 KG |



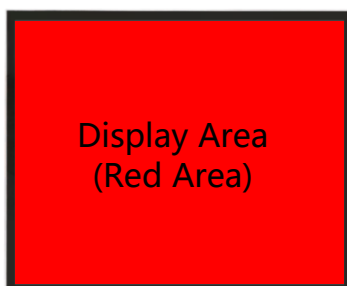
Cosmetic Inspection Standard

| Display Area Allowance | | | |
|--|--|------------|------------|
| Defect description | Defective Specifications | Allowance | Remarks |
| Dot Defect (including dark dot, particles, bubbles, pits, dust, foreign matter) | $D \leq 0.2\text{mm}$ | Ignored | D=Diameter |
| | $0.2 < D \leq 0.7\text{mm}$ | $N \leq 5$ | N=Quantity |
| | $0.7 < D \leq 1\text{mm}$ | $N \leq 3$ | |
| | $D > 1\text{mm}$ | $N \leq 0$ | |
| Linear Defect (including scratches, fluff, particles) | $W \leq 0.15\text{mm}$ | Ignored | W=Width |
| | $0.15 < W \leq 0.5\text{mm}, L \leq 15\text{mm}$ | $N \leq 2$ | L=Length |
| | $W > 0.5\text{mm}$ or $L > 15\text{mm}$ | NG | |

* Visual inspection distance: 60cm, 90 degree (same for front/side/back)

| Front Appearance Allowance (Including Coating) | | | |
|---|---|------------|-------------------|
| Defect description | Defective Specifications | Allowance | Remarks |
| Dot Defect (including particles, bubbles, pits...etc.) | $D \leq 0.7\text{mm}$ | Ignored | D=Diameter |
| | $0.7 < D \leq 1.5\text{mm}$ | $N \leq 3$ | N=Quantity |
| | $D > 1.5\text{mm}$ | $N \leq 0$ | |
| Linear Defect (including scratches, fluff, particles) | $W \leq 0.2\text{mm}, L \leq 15\text{mm}$ | Ignored | W=Width, L=Length |
| | $0.2 < W \leq 0.7\text{mm}, L \leq 15\text{mm}$ | $N \leq 1$ | |
| | $W > 0.7\text{mm}$ or $L > 15\text{mm}$ | NG | |

| Side / Back Appearance Allowance (Including Coating) | | | |
|---|---|------------|-------------------|
| Defect description | Defective Specifications | Allowance | Remarks |
| Dot Defect (including particles, bubbles, pits...etc.) | $D \leq 1.5\text{mm}$ | Ignored | D=Diameter |
| | $1.5 < D \leq 3\text{mm}$ | $N \leq 8$ | N=Quantity |
| | $D > 3\text{mm}$ | $N \leq 2$ | |
| Linear Defect (including scratches, fluff, particles) | $W \leq 0.8\text{mm}, L \leq 15\text{mm}$ | Ignored | W=Width, L=Length |
| | $0.8 < W \leq 1.5\text{mm}, L \leq 15\text{mm}$ | $N \leq 5$ | |
| | $W > 1.5\text{mm}$ or $L > 15\text{mm}$ | NG | |



Display Area
(Red Area)



Front Appearance (Red Area)



Back Appearance