

# Product Specifications

<b>Customer</b>	
<b>Model</b>	<b>NTSM270 V400</b>



Records of Revision			
Vision	Modifying	Old Description	New Description
v1907.1	Preliminary Specifications		
v1907.2	Format Updated		
v1907.3	1. Add Antibacterial Film Option 2. Add Color Options		
v1907.4	Change the Wall Mount kit		
<b>v1907.5</b>	<b>1. Modify the Default of Video Input 2. Define the Cosmetic Inspection Standard</b>	<b>VGA+DVI</b>	<b>VGA+HDMI+DP</b>

### Features

- ★ 27" 16:9/1920x1080 (FHD) Resolution
- ★ VA Wide Viewing Angle Technology (178°/178°)
- ★ Metal Cabinet with Diverse Combine Options
- ★ Made in Taiwan, 3 Years Warranty
- ★ Optional Video Input (VGA/DVI/HDMI/DP)
- ★ Optional High Brightness/Sunlight Readable
- ★ Optional 100~240VAC and 9~36VDC Power Input
- ★ Optional Software Remote Control by RS232
- ★ Optional Auto Dimming Function (with Light Sensor)
- ★ Optional Antibacterial/AG/AR/AF/AS Film



Desktop Stand



Wall Mounting



Side Brackets



PSE



BSMI



FCC



CE



RoHS



ISO9001



## Display Specifications

Model Name	<b>NTSM270X0-1X0XXXX-400*</b>	Display Mode	<b>VA Type, Normally Black</b>
Screen Diagonal	<b>685.6mm (27.0 inch)</b>	Response Time	<b>5 msec.</b>
Display Area	<b>597.6x336.2 mm</b>	Viewing Angle (L/R, U/D)	<b>LED (white LED)</b>
Resolution	<b>1920x1080 (FHD)</b>	Backlight Lifetime	<b>178°/178° (CR=10)</b>
Contrast Ratio	<b>3000:1</b>	Backlight Lifetime	<b>&gt;30,000 Hours</b>
Display Ratio	<b>16:9</b>	Operating Temp.	<b>0~50°C</b>
Support Color	<b>16.7M Colors</b>	Storage Temp.	<b>-20~60°C</b>
Pixel Pitch	<b>311.25x311.25 um</b>	Surface Treatment	<b>Anti-glare, Hardness 3H</b>

\* X = A~Z, 0~9 (Depends on options)

## Display Options

Brightness			
	Brightness	Environment	Model Name
<b>Standard</b>	<b>300nits</b>	<b>General (Indoor)</b>	<b>NTSM270N0-1X0XXXX-400</b>
Option	1000nits	Outdoor Environment	NTSM270A0-1X0XXXX-400

## Accessories

Item	Description	Quantity
VGA Cable	<b>D-Sub 15Pin Male to Male, 1.2 Meter</b>	<b>1</b>
Audio Cable	<b>3.5mm Headset Jack, Male to Male, 1.2 Meter</b>	<b>1</b>
AC-DC Adapter	<b>4.16A/12V with CE/FCC/CCC/UL/RoHS/PSE/JET Certification</b>	<b>1</b>
Power Cord	<b>*Country Specific</b>	<b>1</b>

## Supported OS

Windows	<b>Win7, Win8, Win10 ↑</b>
Linux	<b>Kernel 2.6.24 ↑</b>
Android	<b>3.0 ↑</b>
Mac	<b>10.5.x ↑ (Intel CPU)</b>



### General Options

Color of Cabinet		
	Description	Model Name
<b>Standard</b>	<b>Black</b>	<b>NTSM270X0-1B0XXXX-400</b>
Option 1	White	NTSM270X0-1W0XXXX-400
Option 2	Silver	NTSM270X0-1S0XXXX-400
Options	Other Colors	NTSM270X0-1X0XXXX-400

\* X = A~Z, 0~9 (Depends on Color)

Material of Cabinet		
	Description	Model Name
<b>Standard</b>	<b>SECC</b>	<b>NTSM270X0-1X0SXXX-400</b>
Option 1	Stainless Steel	NTSM270X0-1X0LXXX-400
Option 2	Aluminum	NTSM270X0-1X0AXXX-400

Cooling Fan		
	Description	Model Name
<b>Standard</b>	<b>Fanless</b>	<b>NTSM270X0-1X0X0XX-400</b>
Option	7 Blades/4000r.p.m/28.3dB	NTSM270X0-1X0XFX-400

General Options (Continued)

Video Input		
	Description	Model Name
Standard	VGA+HDMI+DP	NTSM270X0-1X0XX3X-400
Option	VGA+DVI	NTSM270X0-1X0XX41-400



VGA+HDMI+DP

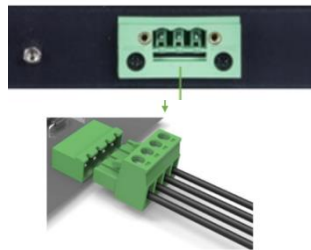


VGA+DVI

Power Input		
	Description	Model Name
Standard	12V, Lockable DC Jack $\Phi$ 2.1mm	NTSM270X0-1X0XX32-400
Option 1	12VDC, DC Jack $\Phi$ 2.1mm	NTSM270X0-1X0XX41-400
Option 2	9~36VDC, Phoenix Terminal Block	NTSM270X0-1X0XX3P-400
Option 3	100~240VAC, C14 Female Socket	NTSM270X0-1X0XX3A-400



Lockable DC Power Jack

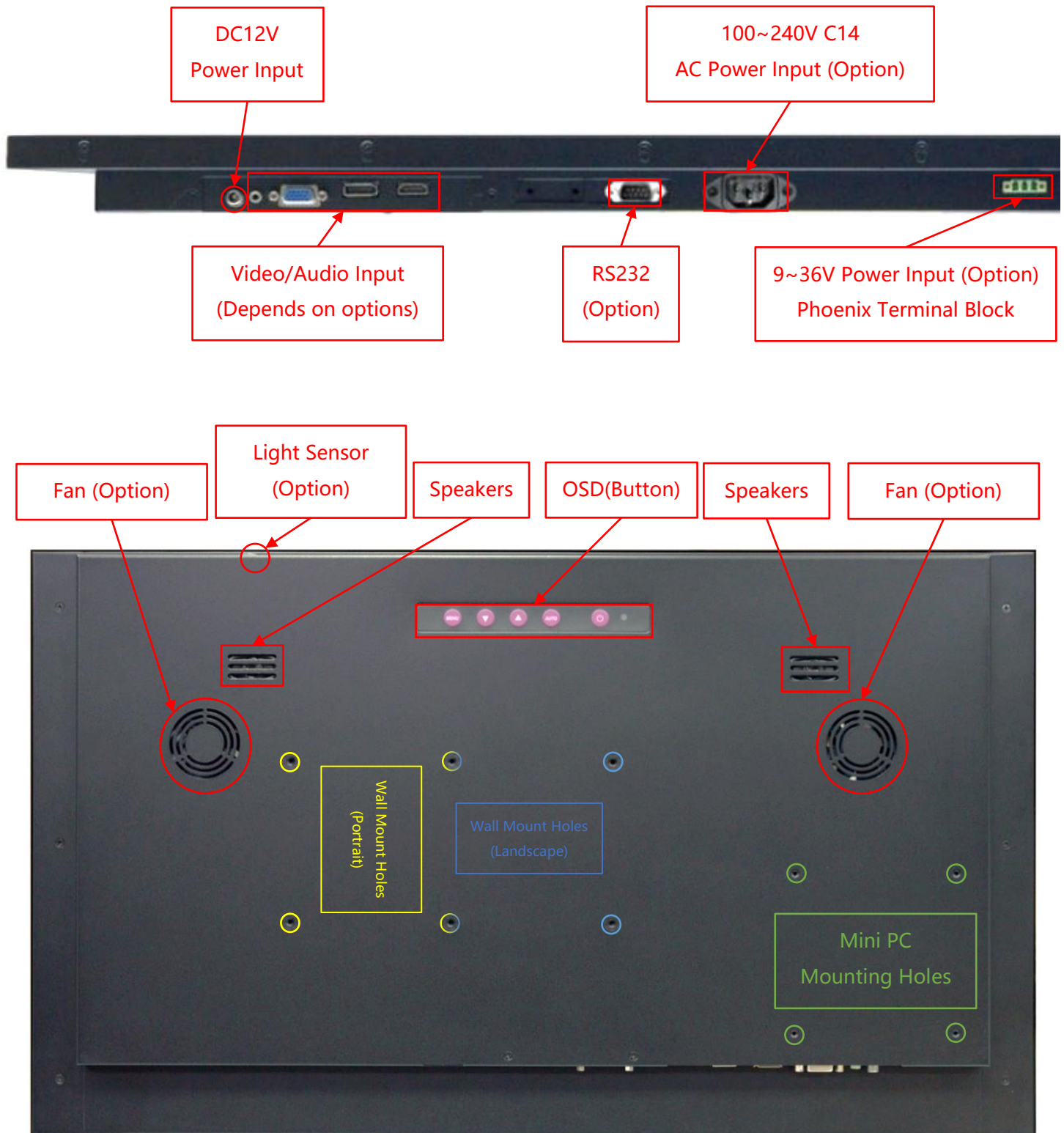


Phoenix Terminal Block



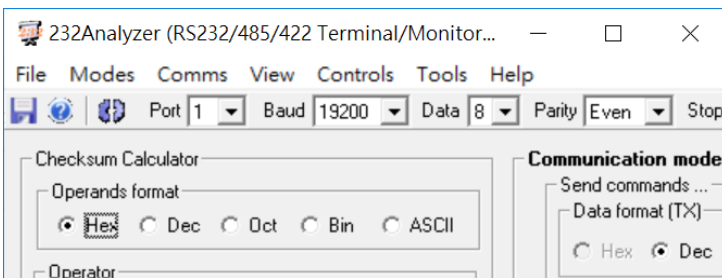
C14 AC Socket

## Input /Output System

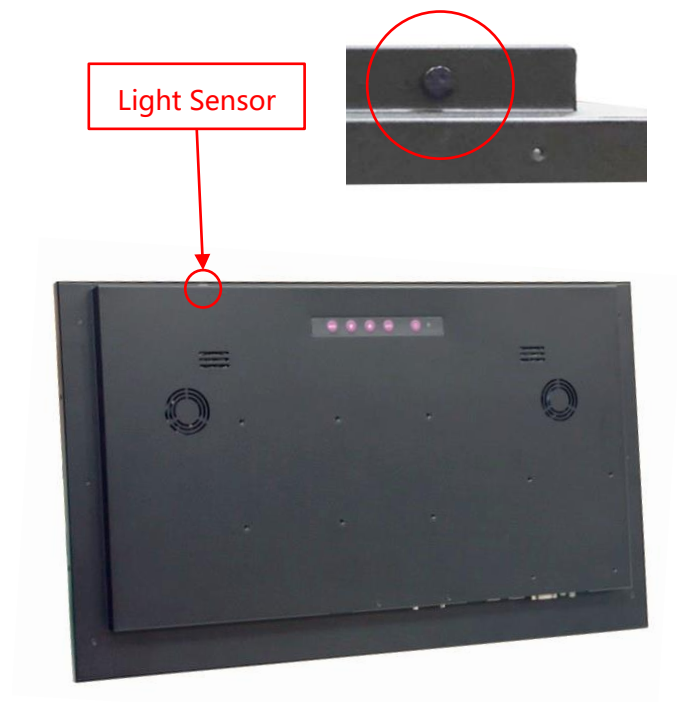


## Other Options

OSD Control		
	Item	Description
<b>Standard</b>	<b>Button</b>	<b>Rear Physical Button</b>
Option 1	Software Remote Control	Software Remote Control by RS232/Serial Port
Option 2	Auto Dimming	Auto Brightness Adjusting by Light Sensor



\* Software Remote Control



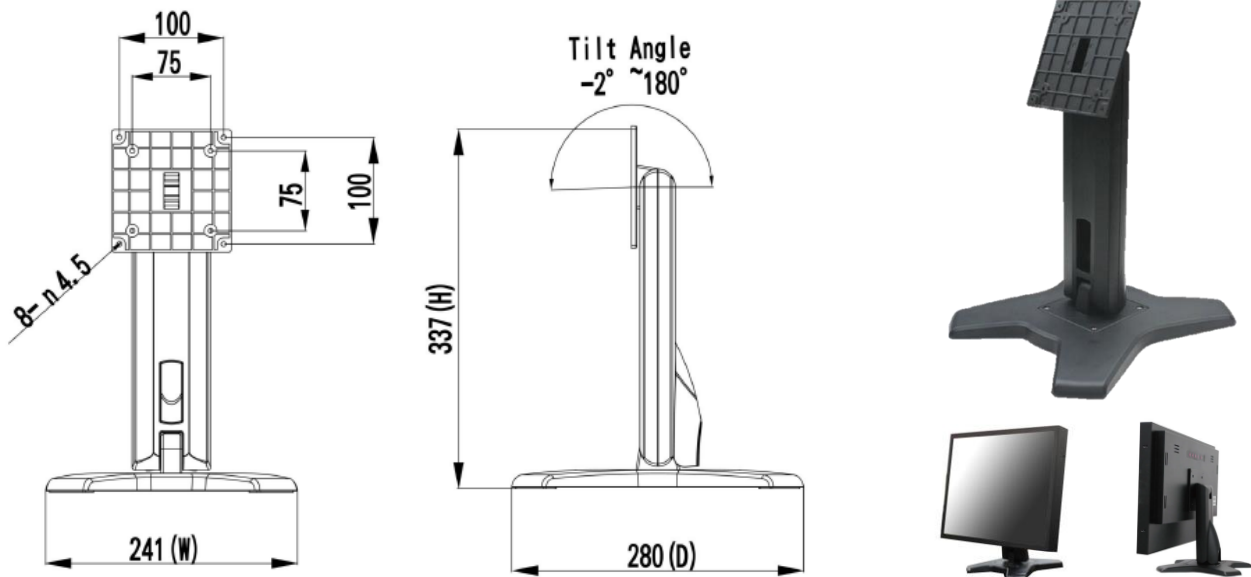
Surface Film Options	
<b>Standard</b>	<b>(none)</b>
Option	Anti-Glare Coating
Option	Antibacterial (AB Film)
Option	Anti-Glare +UV-Cut (AG+UV Film)
Option	Anti-Glare +Fouling/Fingerprint (AG+AFP Film)
Option	Anti-Reflective +Fouling/Fingerprint (AR+AFP Film)
Option	Anti-Glare +Reflective +Fouling/Fingerprint (AG+AR+AFP Film)
Option	Anti-Spy (AS Film)





### Desktop Stand (Option)

Item	B Stand	Part No.	DST-0B003/DST-1B003
Mounting Pattern	100x100 / 75x75 mm	Dimension (WxHxD)	203x275x227 mm
Material	Steel/Plastic/Aluminum	Net Weight	1.8 KG
Tilt (Hinge)	-2° ~+180°	Support Max. Weight	15 KG

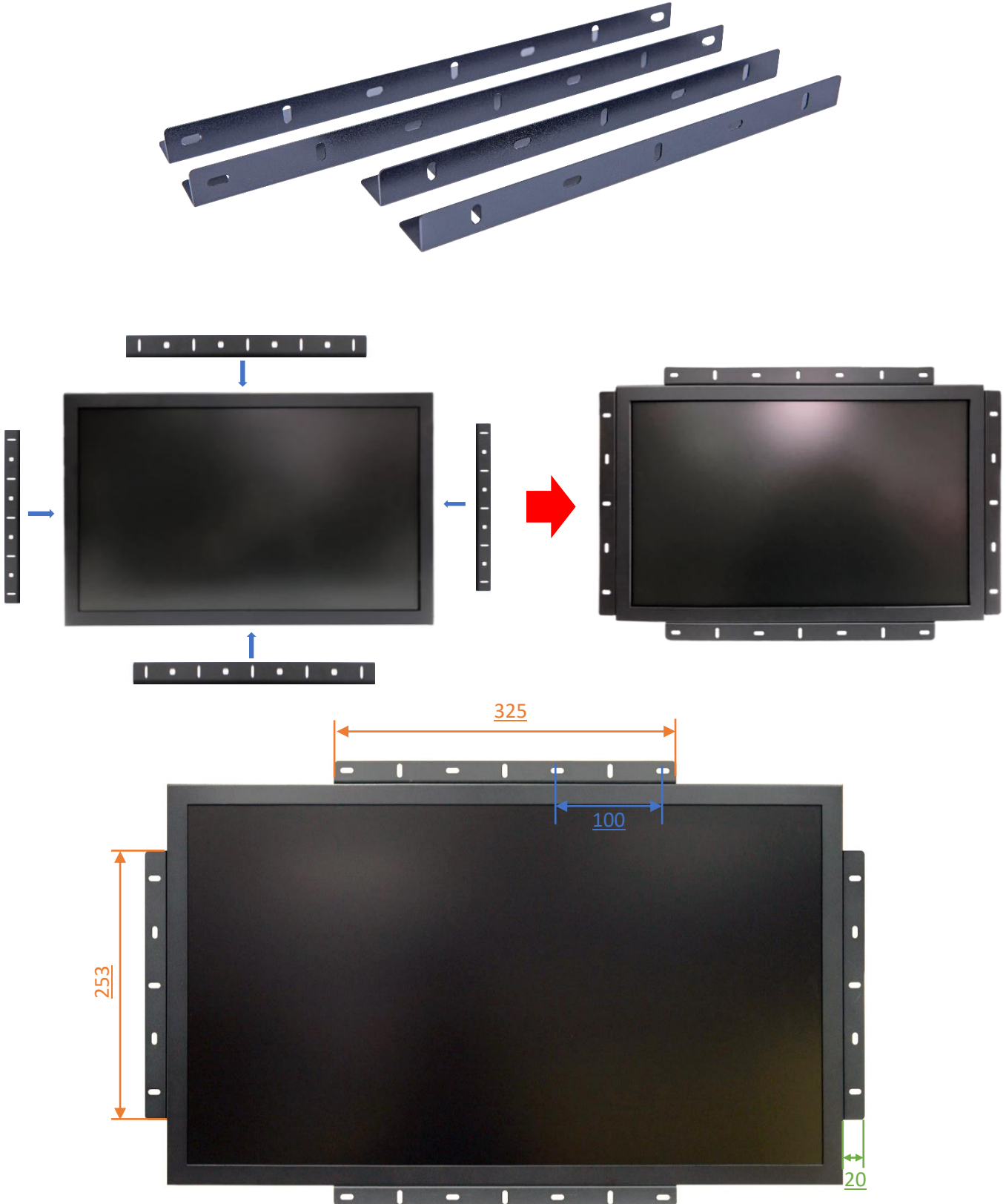


Item	Z Stand	Part No.	DST-0BZ01/DST-1BZ01
Mounting Pattern	100x100 / 75x75 mm	Dimension (WxHxD)	190x240x41.6
Material	SECC	Net Weight	2.6 KG
Tilt (Hinge)	±360°	Support Max. Weight	15 KG

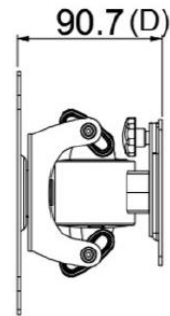
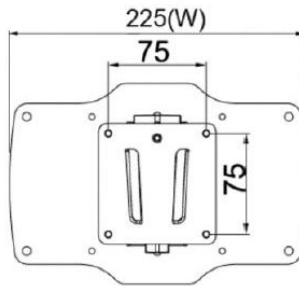
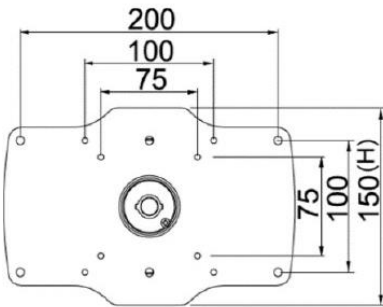




### Open-frame Brackets (Option)



### Wall Mount Bracket (Option)



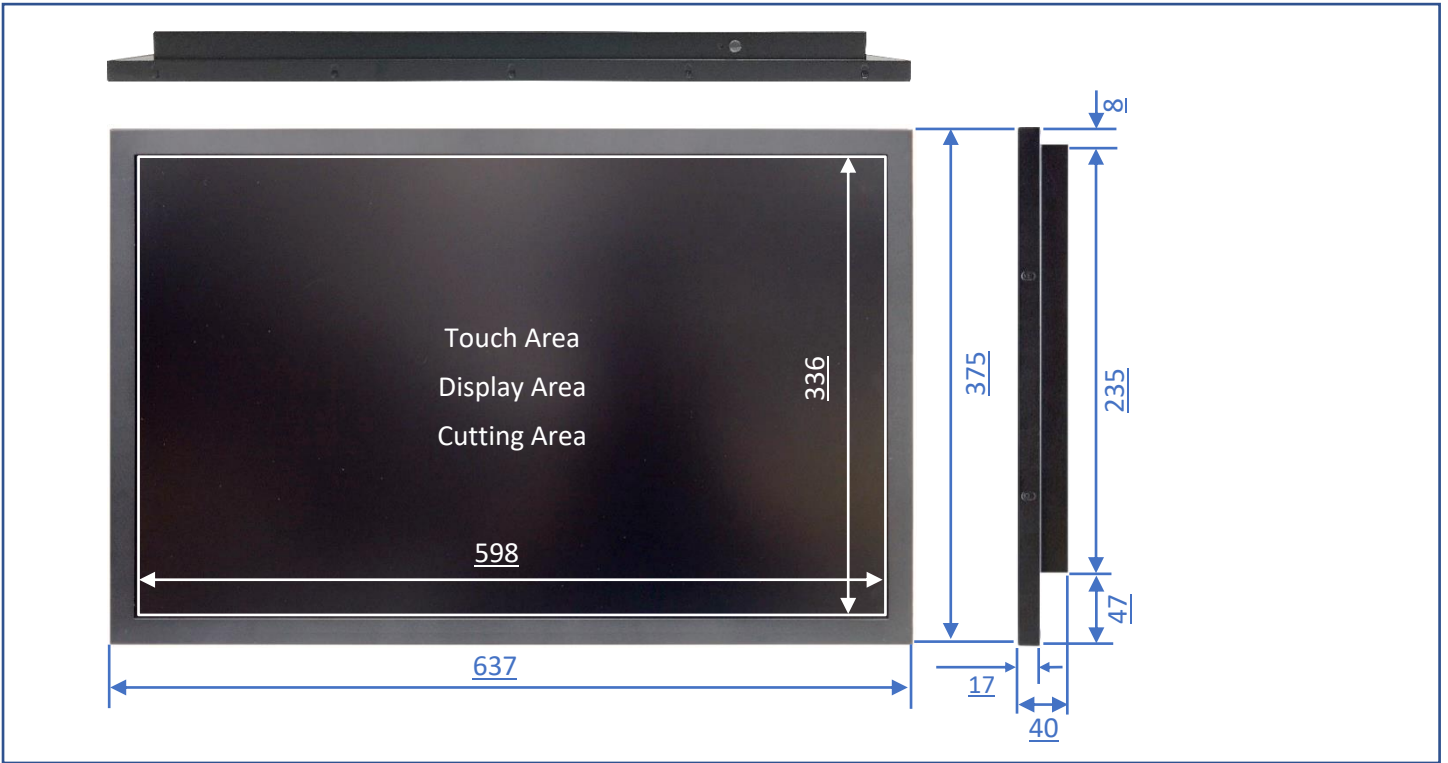
### Packing Information



Dimensions of Carton	<b>751x170x518 mm</b>
Net Weight	<b>≤6.9 KG</b>
Gross Weight	<b>≤9.2 KG</b>

### Physical Specifications

Dimension (Max)	<b>637x375x40(±2)mm</b>	Net Weight	<b>≤6.9 KG</b>
VESA Mounting	<b>100x100 mm</b>	Gross Weight	<b>≤9.2 KG</b>



## Cosmetic Inspection Standard

Display Area Allowance			
Defect description	Defective Specifications	Allowance	Remarks
Dot Defect (including dark dot, particles, bubbles, pits, dust, foreign matter)	$D \leq 0.2\text{mm}$	Ignored	D=Diameter
	$0.2 < D \leq 0.7\text{mm}$	$N \leq 5$	N=Quantity
	$0.7 < D \leq 1\text{mm}$	$N \leq 3$	
	$D > 1\text{mm}$	$N \leq 0$	
Linear Defect (including scratches, fluff, particles)	$W \leq 0.15\text{mm}$	Ignored	W=Width
	$0.15 < W \leq 0.5\text{mm}, L \leq 15\text{mm}$	$N \leq 2$	L=Length
	$W > 0.5\text{mm}$ or $L > 15\text{mm}$	NG	

\* Visual inspection distance: 60cm, 90 degree (same for front/side/back)

Front Appearance Allowance (Including Coating)			
Defect description	Defective Specifications	Allowance	Remarks
Dot Defect (including particles, bubbles, pits...etc.)	$D \leq 0.7\text{mm}$	Ignored	D=Diameter
	$0.7 < D \leq 1.5\text{mm}$	$N \leq 3$	N=Quantity
	$D > 1.5\text{mm}$	$N \leq 0$	
Linear Defect (including scratches, fluff, particles)	$W \leq 0.2\text{mm}, L \leq 15\text{mm}$	Ignored	W=Width, L=Length
	$0.2 < W \leq 0.7\text{mm}, L \leq 15\text{mm}$	$N \leq 1$	
	$W > 0.7\text{mm}$ or $L > 15\text{mm}$	NG	

Side / Back Appearance Allowance (Including Coating)			
Defect description	Defective Specifications	Allowance	Remarks
Dot Defect (including particles, bubbles, pits...etc.)	$D \leq 1.5\text{mm}$	Ignored	D=Diameter
	$1.5 < D \leq 3\text{mm}$	$N \leq 8$	N=Quantity
	$D > 3\text{mm}$	$N \leq 2$	
Linear Defect (including scratches, fluff, particles)	$W \leq 0.8\text{mm}, L \leq 15\text{mm}$	Ignored	W=Width, L=Length
	$0.8 < W \leq 1.5\text{mm}, L \leq 15\text{mm}$	$N \leq 5$	
	$W > 1.5\text{mm}$ or $L > 15\text{mm}$	NG	



Display Area  
(Red Area)



Front Appearance (Red Area)



Back Appearance