

Product Specifications

Customer	
Model	NTSM240-2 V400



Records of Revision			
Vision	Modifying	Old Description	New Description
v1807.1	Preliminary Specifications		
v1807.2	Outward Dimension Revised		
v1807.3	Packing Information Revised		
v1807.5	1. Add Antibacterial Film Option 2. Add Color Options		
v1807.6	Change the Wall Mount kit		
v1807.7	1. Modify the Default of Video Input 2. Define the Cosmetic Inspection Standard	VGA+DVI	VGA+HDMI+DP

Features

- ★ 24" Industrial Panel, 16:9/1920x1080 (FHD) Resolution
- ★ VA Wide Viewing Angle Technology (178°/178°)
- ★ Operating Temperature Range -20~70°C
- ★ Metal Cabinet with Diverse Combine Options
- ★ Made in Taiwan, 3 Years Warranty, Designed for Harsh Environments
- ★ Optional Video Input (VGA/DVI/HDMI/DP)
- ★ Optional High Brightness/Sunlight Readable
- ★ Optional 100~240VAC and 9~36VDC Power Input
- ★ Optional Software Remote Control by RS232
- ★ Optional Auto Dimming Function (with Light Sensor)
- ★ Optional Antibacterial/AG/AR/AF/AS Film



Desktop Stand



Wall Mounting



Side Brackets



PSE



BSMI



FCC



CE



RoHS



ISO9001



Display Specifications

Model Name	NTSM240X0-2X0XXXX-400*	Display Mode	VA Mode, Normally Black
Screen Diagonal	609.7mm (24.0 inch)	Response Time	25 msec.
Display Area	531.36x298.89 mm	Backlight Unit	LED (white LED)
Resolution	1920x1080 (FHD)	Viewing Angle (L/R, U/D)	178°/178° (CR=10)
Contrast Ratio	5000:1	Backlight Lifetime	>50,000 Hours
Display Ratio	16:9	Operating Temp.	-20~70°C
Support Color	16.7M Colors	Storage Temp.	-30~80°C
Pixel Pitch	276.75x276.75 um	Surface Treatment	Anti-glare, Hardness 3H

* X = A~Z, 0~9 (Depends on options)

Display Options

Brightness			
	Brightness	Environment	Model Name
Standard	300nits	General (Indoor)	NTSM240N0-2X0XXXX-400
Option 1	1000nits	Outdoor Environment	NTSM240A0-2X0XXXX-400
Option 2	1500nits	Sunlight Readable	NTSM240F0-2X0XXXX-400

Accessories

Item	Description	Quantity
VGA Cable	D-Sub 15Pin Male to Male, 1.2 Meter	1
Audio Cable	3.5mm Headset Jack, Male to Male, 1.2 Meter	1
AC-DC Adapter	4.16A/12V with CE/FCC/CCC/UL/RoHS/PSE/JET Certification	1
Power Cord	*Country Specific	1



General Options

Color of Cabinet		
	Description	Model Name
Standard	Black	NTSM240X0-2B0XXXX-400
Option 1	White	NTSM240X0-2W0XXXX-400
Option 2	Silver	NTSM240X0-2S0XXXX-400
Options	Other Colors	NTSM240X0-2X0XXXX-400

* X = A~Z, 0~9 (Depends on Color)

Material of Cabinet		
	Description	Model Name
Standard	SECC	NTSM240X0-2X0SXXX-400
Option 1	Stainless Steel	NTSM240X0-2X0LXXX-400
Option 2	Aluminum	NTSM240X0-2X0AXXX-400

Cooling Fan		
	Description	Model Name
Standard	Fanless	NTSM240X0-2X0X0XX-400
Option	7 Blades/4000r.p.m/28.3dB	NTSM240X0-2X0XFX-400

General Options (Continued)

Video Input		
	Description	Model Name
Standard	VGA+HDMI+DP	NTSM240X0-2X0XX3X-400
Option	VGA+DVI	NTSM240X0-2X0XX11-400



VGA+HDMI+DP

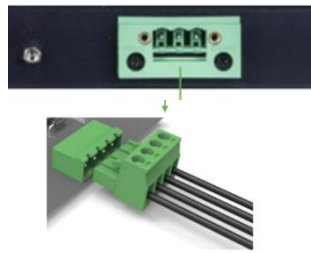


VGA+DVI

Power Input		
	Description	Model Name
Standard	12V, Lockable DC Jack Φ 2.1mm	NTSM240X0-2X0XX32-400
Option 1	12VDC, DC Jack Φ 2.1mm	NTSM240X0-2X0XX11-400
Option 2	9~36VDC, Phoenix Terminal Block	NTSM240X0-2X0XX3P-400
Option 3	100~240VAC, C14 Female Socket	NTSM240X0-2X0XX3A-400



Lockable DC Power Jack

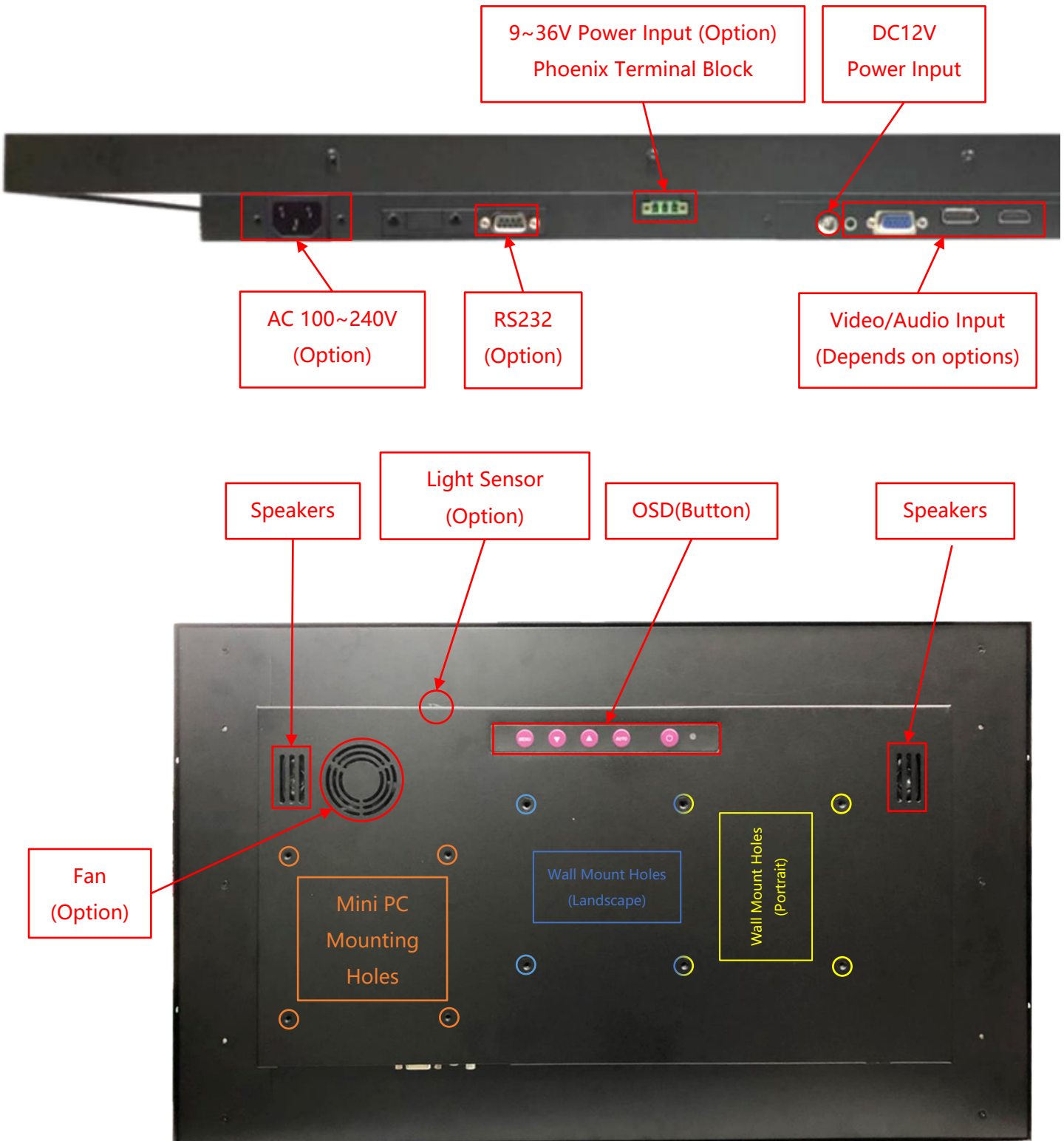


Phoenix Terminal Block



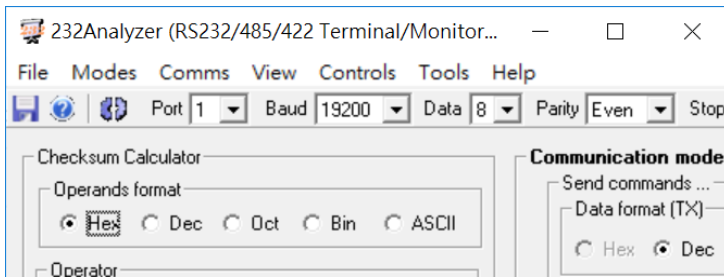
C14 AC Socket

Input /Output System

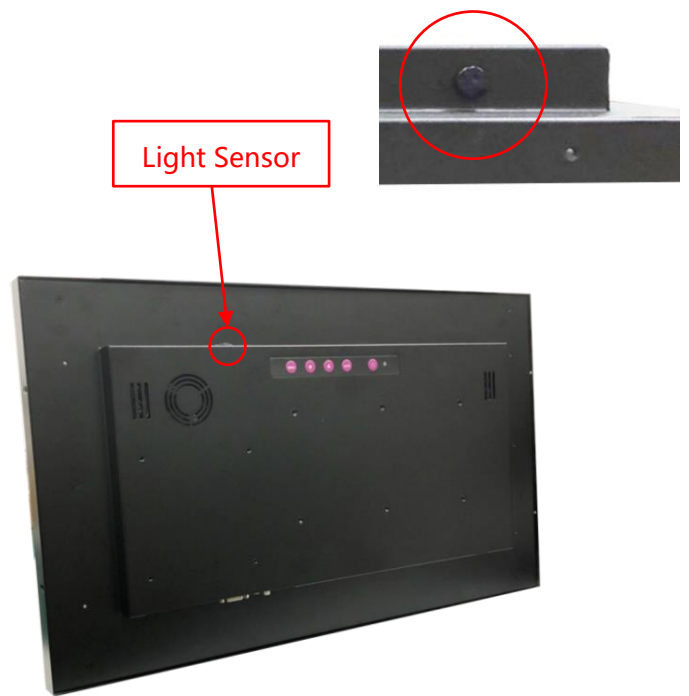


Other Options

OSD Control		
	Item	Description
Standard	Button	Rear Physical Button
Option 1	Software Remote Control	Software Remote Control by RS232/Serial Port
Option 2	Auto Dimming	Auto Brightness Adjusting by Light Sensor



* Software Remote Control



Surface Film Options	
Standard	(none)
Option	Anti-Glare Coating
Option	Antibacterial (AB Film)
Option	Anti-Glare +UV-Cut (AG+UV Film)
Option	Anti-Glare +Fouling/Fingerprint (AG+AFP Film)
Option	Anti-Reflective +Fouling/Fingerprint (AR+AFP Film)
Option	Anti-Glare +Reflective +Fouling/Fingerprint (AG+AR+AFP Film)
Option	Anti-Spy (AS Film)

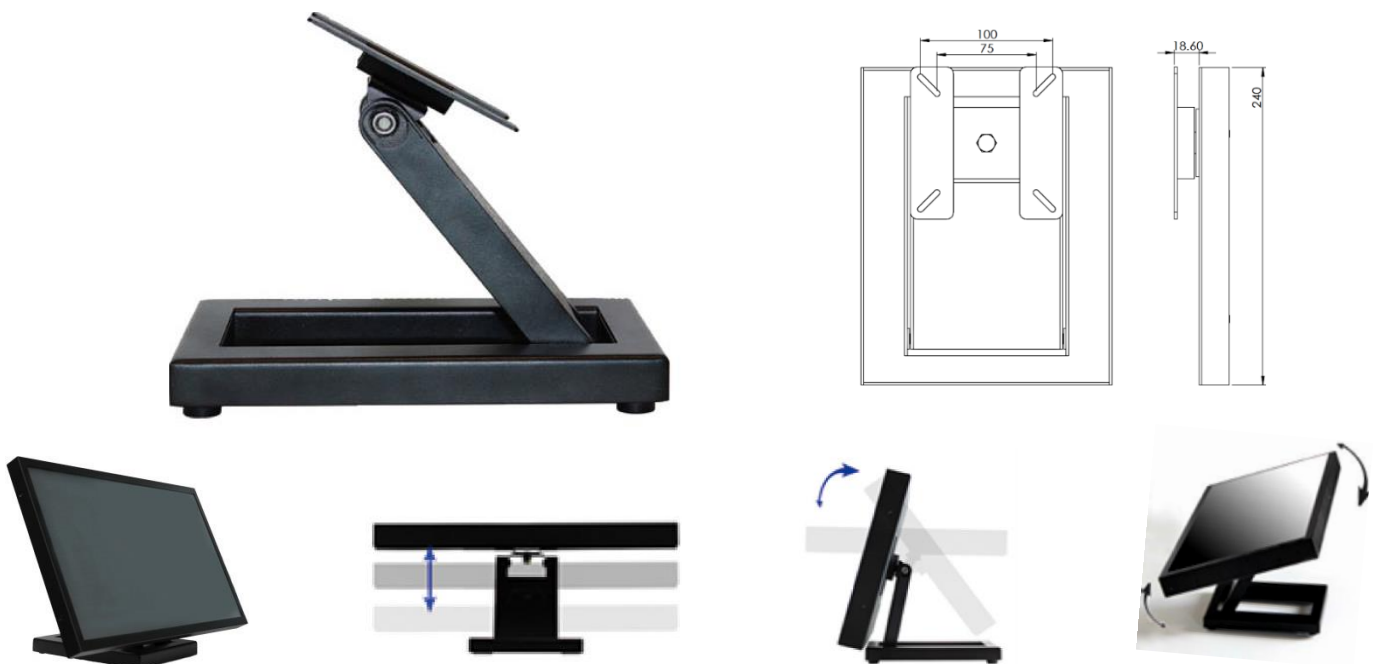


Desktop Stand (Option)

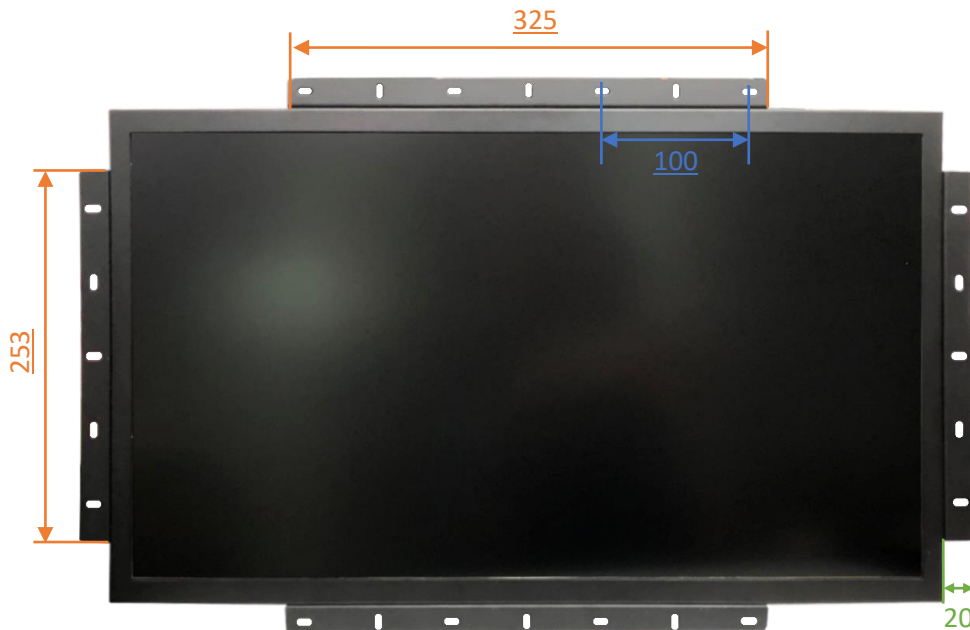
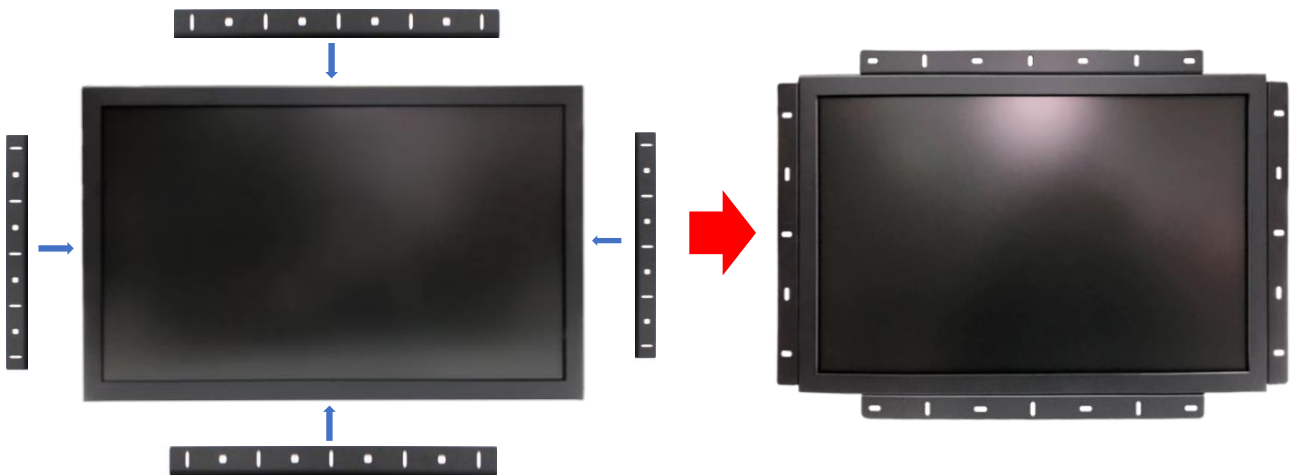
Item	B Stand	Part No.	DST-0B002/DST-1B002
Mounting Pattern	100x100 / 75x75 mm	Dimension (WxHxD)	203x275x227 mm
Material	Steel/Plastic/Aluminum	Net Weight	1.8 KG
Tilt (Hinge)	-2° ~ +180°	Support Max. Weight	15 KG



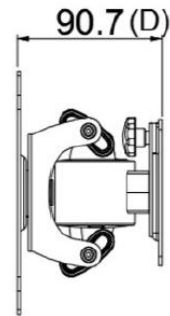
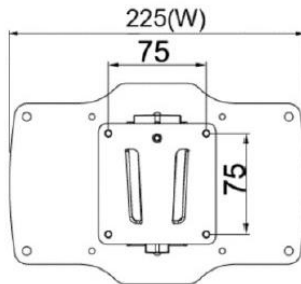
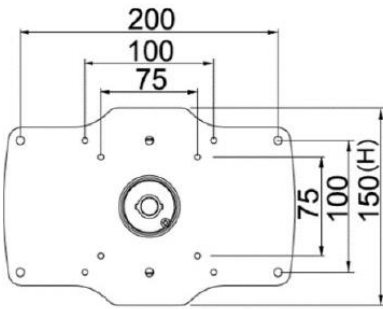
Item	Z Stand	Part No.	DST-0BZ01/DST-1BZ01
Mounting Pattern	100x100 / 75x75 mm	Dimension (WxHxD)	190x240x41.6
Material	SECC	Net Weight	2.6 KG
Tilt (Hinge)	±360°	Support Max. Weight	15 KG



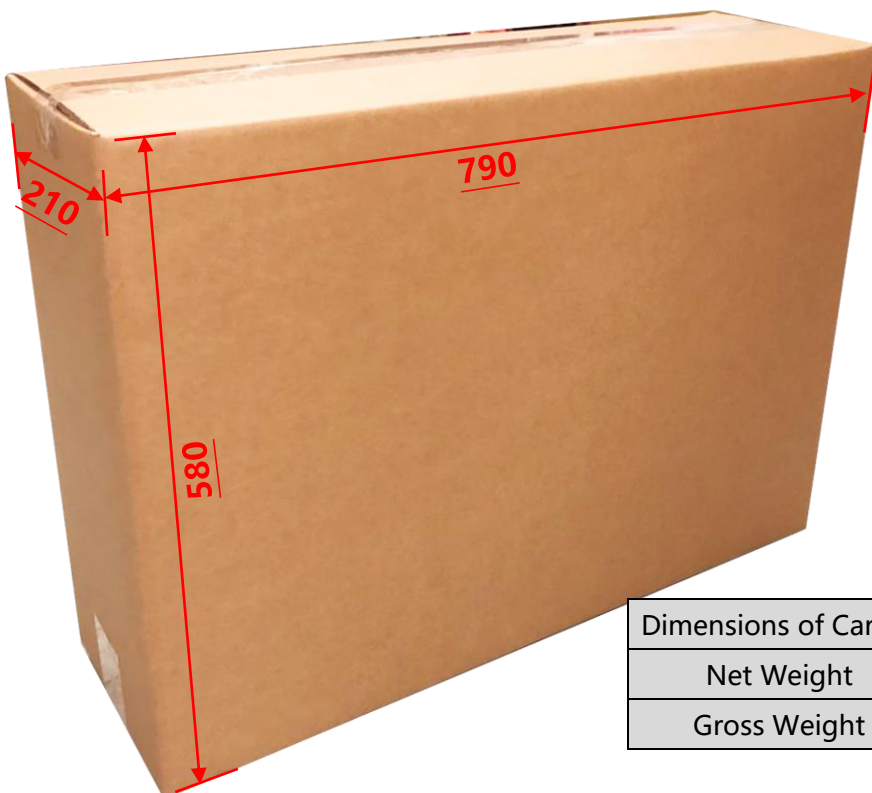
Open-frame Brackets (Option)



Wall Mount Bracket (Option)



Packing Information



Dimensions of Carton	790x580x210 mm
Net Weight	≦6.8 KG
Gross Weight	≦9.1 KG

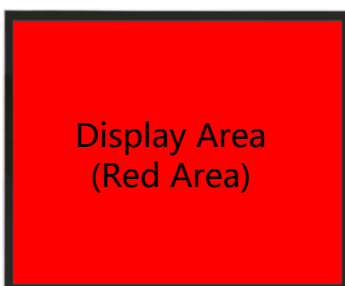
Cosmetic Inspection Standard

Display Area Allowance			
Defect description	Defective Specifications	Allowance	Remarks
Dot Defect (including dark dot, particles, bubbles, pits, dust, foreign matter)	$D \leq 0.2\text{mm}$	Ignored	D=Diameter
	$0.2 < D \leq 0.7\text{mm}$	$N \leq 5$	N=Quantity
	$0.7 < D \leq 1\text{mm}$	$N \leq 3$	
	$D > 1\text{mm}$	$N \leq 0$	
Linear Defect (including scratches, fluff, particles)	$W \leq 0.15\text{mm}$	Ignored	W=Width
	$0.15 < W \leq 0.5\text{mm}, L \leq 15\text{mm}$	$N \leq 2$	L=Length
	$W > 0.5\text{mm}$ or $L > 15\text{mm}$	NG	

* Visual inspection distance: 60cm, 90 degree (same for front/side/back)

Front Appearance Allowance (Including Coating)			
Defect description	Defective Specifications	Allowance	Remarks
Dot Defect (including particles, bubbles, pits...etc.)	$D \leq 0.7\text{mm}$	Ignored	D=Diameter
	$0.7 < D \leq 1.5\text{mm}$	$N \leq 3$	N=Quantity
	$D > 1.5\text{mm}$	$N \leq 0$	
Linear Defect (including scratches, fluff, particles)	$W \leq 0.2\text{mm}, L \leq 15\text{mm}$	Ignored	W=Width, L=Length
	$0.2 < W \leq 0.7\text{mm}, L \leq 15\text{mm}$	$N \leq 1$	
	$W > 0.7\text{mm}$ or $L > 15\text{mm}$	NG	

Side / Back Appearance Allowance (Including Coating)			
Defect description	Defective Specifications	Allowance	Remarks
Dot Defect (including particles, bubbles, pits...etc.)	$D \leq 1.5\text{mm}$	Ignored	D=Diameter
	$1.5 < D \leq 3\text{mm}$	$N \leq 8$	N=Quantity
	$D > 3\text{mm}$	$N \leq 2$	
Linear Defect (including scratches, fluff, particles)	$W \leq 0.8\text{mm}, L \leq 15\text{mm}$	Ignored	W=Width, L=Length
	$0.8 < W \leq 1.5\text{mm}, L \leq 15\text{mm}$	$N \leq 5$	
	$W > 1.5\text{mm}$ or $L > 15\text{mm}$	NG	



Display Area
(Red Area)



Front Appearance (Red Area)



Back Appearance