

Product Specifications

Customer	
Model	NTSM190-1 V500



Records of Revision			
Vision	Modifying	Old Description	New Description
v2005.1	Preliminary Specifications		
v2005.2	1. Modify the Default of Video Input 2. Define the Cosmetic Inspection Standard	VGA+DVI	VGA+HDMI+DP
v2005.3	Modify Dimensions		
v2005.4	Add the Panel Mount Kits Option		
v2005.5	Modify the Design of Carton		

Features

- ★ 19 inch, 1280x1024 Resolution
- ★ Metal Cabinet with Diverse Combine Options
- ★ Made in Taiwan, 3 Years Warranty
- ★ Resistive/Capacitive Touch Options
- ★ Optional Video Input (VGA/DVI/HDMI/DP)
- ★ Optional Software Remote Control by RS232 or DDC/CI
- ★ Optional 9~36VDC Power Input
- ★ Optional High Brightness 1500nits, for Outdoor Environment
- ★ Optional Auto Dimming Function (with Light Sensor)
- ★ Optional AG Coating/Antibacterial/Privacy Filter Surface Treatment



Desktop Stand



Wall Mounting



Open-frame Bracket



Panel Mount



Display Specifications

Model Name	NTSM190XXSXX-XXXXXX-500*	Display Mode	TN Mode, Normally White
Screen Diagonal	482.6mm (19.0 inch)	Response Time	5 msec.
Display Area	376.3x301.1	Backlight Unit	LED (white LED)
Resolution	1280x1024	Viewing Angle (L/R, U/D)	170°/160°
Contrast Ratio	1000:1	Backlight Lifetime	>30,000 Hours
Display Ratio	4:3	Operating Temp.	0~50°C
Support Colors	16.7M Colors	Storage Temp.	-20~60°C
Pixel Pitch	294x294 um	Surface Treatment	Anti-glare, Hardness 3H

* X = A~Z, 0~9 (Depends on options)

Display Options

Brightness			
	Brightness	Environment	Model Name
Standard	250nits	General (Indoor)	NTSM190NXSXX-XXXXXX-500
Option 1	1000nits	Outdoor Environment	NTSM190AXSXX-XXXXXF-500
Option 2	1500nits	Sunlight Readable	NTSM190FXSXX-XXXXXF-500

Accessories

Item	Description	Quantity
VGA Cable	D-Sub 15Pin Male to Male, 1.8 Meter	1
Audio Cable	3.5mm Headset Jack, Male to Male, 1.5 Meter	1
AC-DC Adapter	4.16A/12V with CE/FCC/CCC/UL/RoHS/PSE/JET Certification	1
Power Cord	*Country Specific	1



Touch Options

Resistive Touch			
Model Name	NTSM190X5SXX-XXXXBX-500		
Touch Technology	Resistive Touch	Transparency	80%±5%
Allowed Touch Points	1 point	Surface Treatment	Anti-glare<15%
Interface	USB/RS232	Hardness	≥3H
Precision	98.50%		

Projected Capacitive Touch			
Model Name	NTSM190XPXX-XXXXX0-500		
Touch Technology	Projected Capacitive	Transparency	≥87%
Allowed Touch Points	10 points	Accuracy	99.00%
Transparency	USB/RS232 (Option)	Thickness of Cover Lens	1.8±0.2mm
Accuracy	IK07	Hardness of Cover Lens	7H

Non-Touch	
Model Name	NTSM190X0SXX-XXXX0X-500

Supported OS

Windows	Win7, Win8, Win10, Win11 ↑
Linux	Kernel 2.6.24 ↑
Android	3.0 ↑
Mac	10.5.x ↑ (Intel CPU)

General Options

Video Input		
	Description	Model Name
Standard	VGA+HDMI+DP	NTSM190XXS<u>3</u>X-XXXXXX-500
Option	VGA+DVI	NTSM190XXS <u>4</u> 1-XXXXXX-500



VGA+HDMI+DP

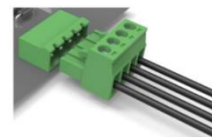


VGA+DVI

Power Input		
	Description	Model Name
Standard	12V, Lockable DC Jack Φ2.1mm	NTSM190XXS<u>3</u>2-XXXXXX-500
Option 1	12VDC, DC Jack Φ 2.1mm	NTSM190XXS <u>4</u> 1-XXXXXX-500
Option 2	9~36VDC, Phoenix Terminal Block	NTSM190XXS <u>3</u> P-XXXXXX-500



Lockable DC Power Jack



Phoenix Terminal Block

Surface Film Options		
	Description	Model Name
Standard	(none)	NTSM190XXSXX-<u>00</u>XXXX-500
Option 1	Anti-Glare Coating	NTSM190XXSXX- <u>GG</u> XXXX-500
Option 2	Antibacterial (AB Film)	NTSM190XXSXX- <u>AB</u> XXXX-500
Option 3	Anti-Spy (AS Film)	NTSM190XXSXX- <u>SF</u> XXXX-500



General Options (Continued)

Color of Cabinet		
	Description	Model Name
Standard	Black	NTSM190XXSXX-XXBXXX-500
Option 1	White	NTSM190XXSXX-XXWXXX-500
Option 2	Silver	NTSM190XXSXX-XXSXXX-500
Options	Other Color	NTSM190XXSXX-XXXXX-500

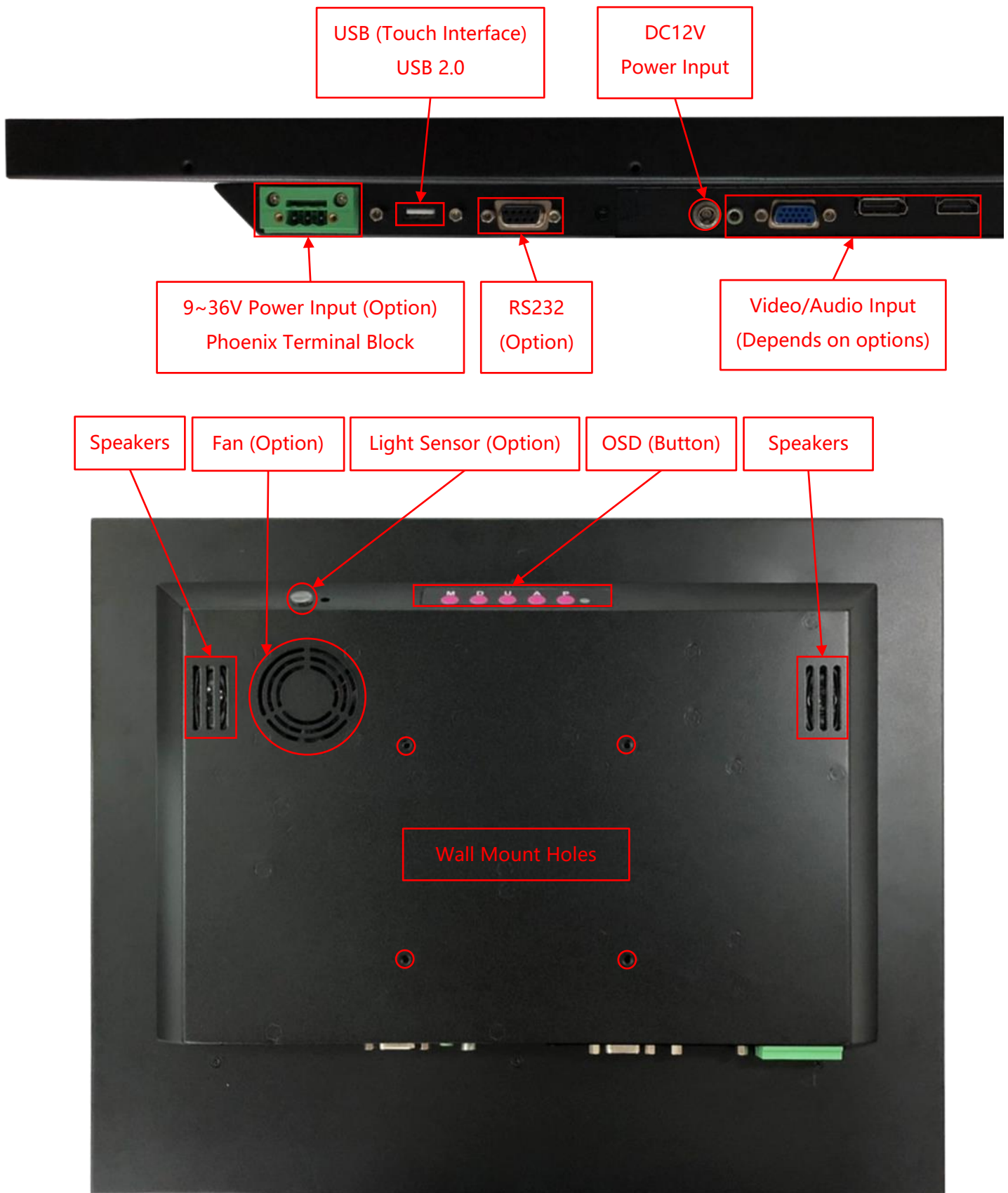
* X = A~Z, 0~9 (Depends on Color)

Material of Cabinet		
	Description	Model Name
Standard	SECC	NTSP190XXSXX-XXXSXX-500
Option 1	Stainless Steel	NTSP190XXSXX-XXXLXX-500
Option 2	Aluminum	NTSP190XXSXX-XXXAXX-500

Touch Interface		
	Description	Model Name
Option 1	USB+RS232 (Resistive Touch)	NTSM190X5SXX-XXXXBX-500
Option 2	USB (Projected Capacitive Touch)	NTSM190XPSXX-XXXXUX-500
Option 3	RS232 (Projected Capacitive Touch)	NTSM190XPSXX-XXXXRX-500
Option 4	Non-Touch	NTSM190X0SXX-XXXX0X-500

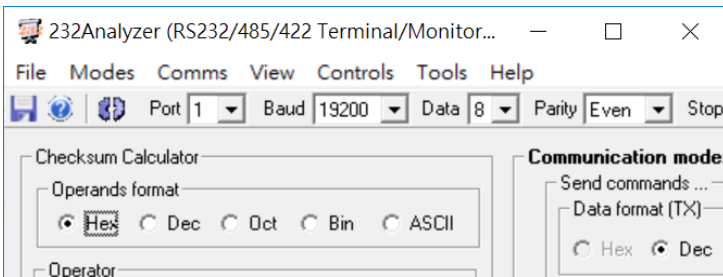
Cooling Fan		
	Description	Model Name
Standard	Fanless	NTSM190XXSXX-XXXXX0-500
Option	7 Blades/4000r.p.m/28.3dB	NTSM190XXSXX-XXXXXF-500

Input /Output System

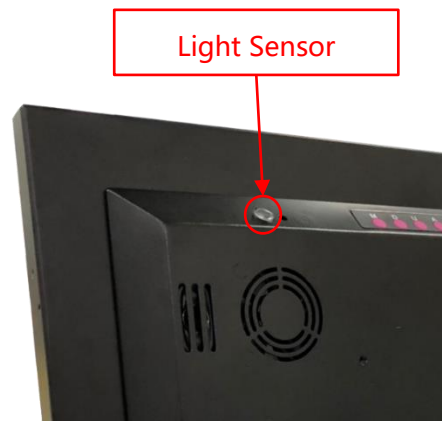


Other Options

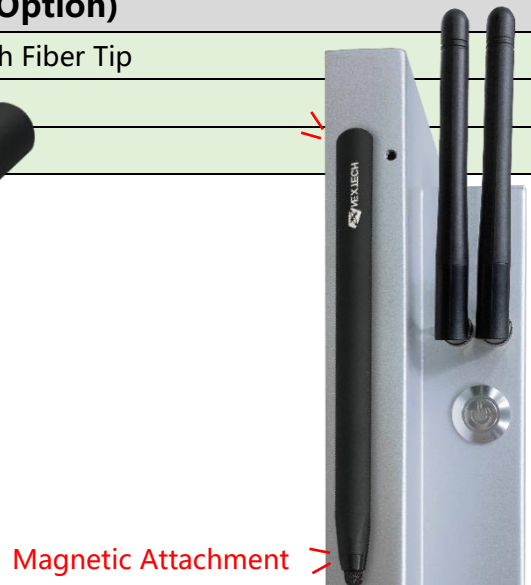
OSD Control		
	Item	Description
Standard	Button	Rear Physical Button
Option 1	Software Remote Control	Software Remote Control by RS232/Serial Port
Option 2	Auto Dimming	Auto Brightness Adjusting by Light Sensor



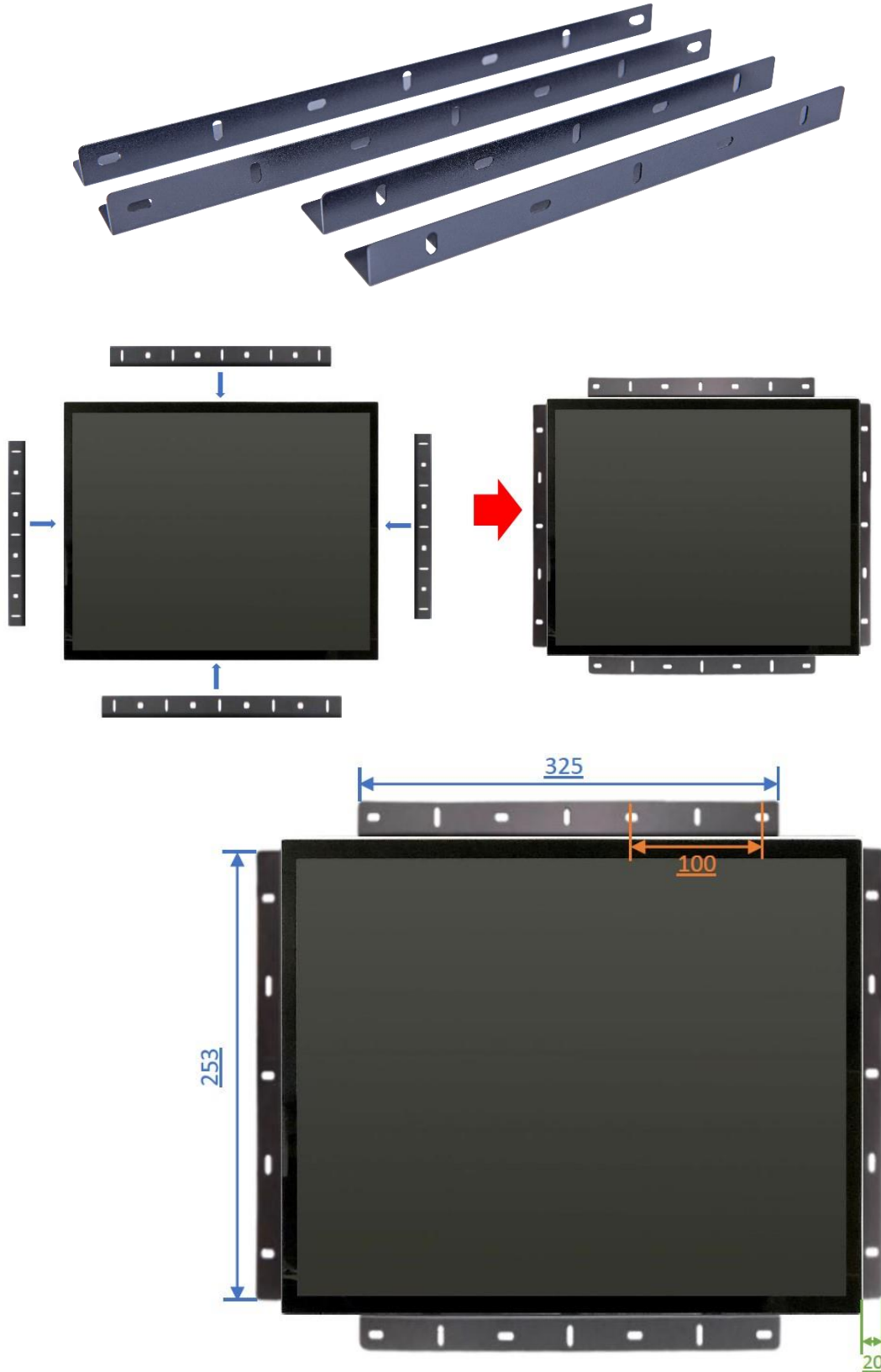
* Software Remote Control



Passive Stylus Pen (Option)	
Technology	Passive High Sensitive Knitted Wire Mesh Fiber Tip
Size of tip	6mm
Magnetic Attachment	Yes



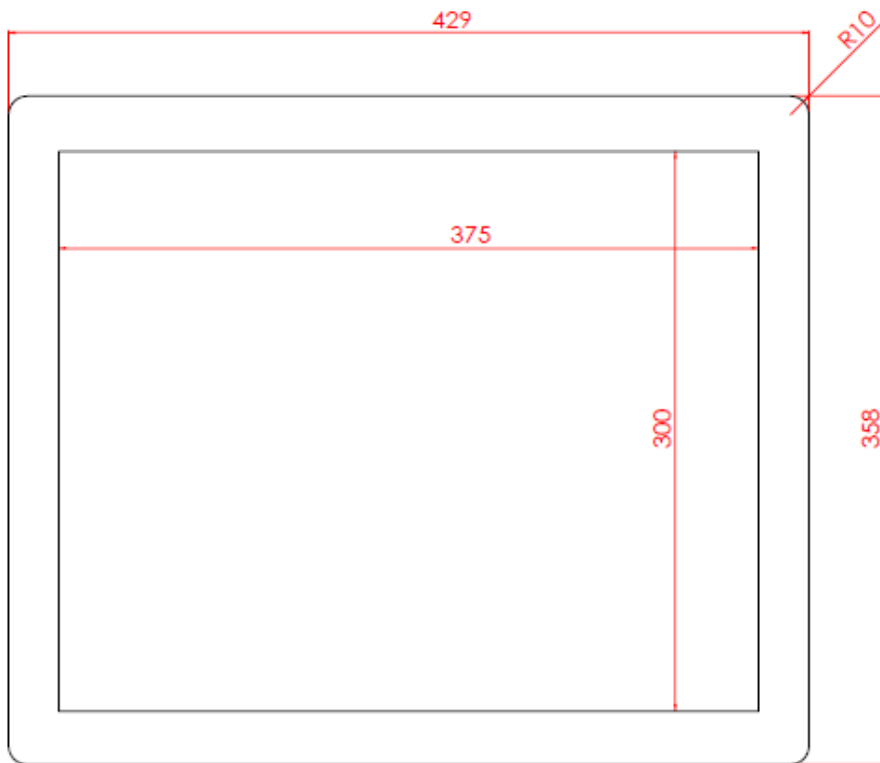
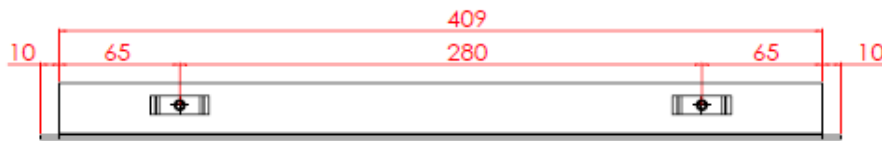
Open-frame Brackets (Option)

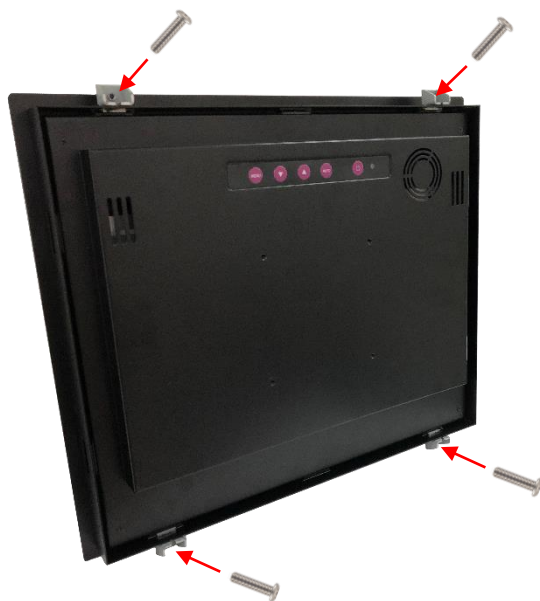
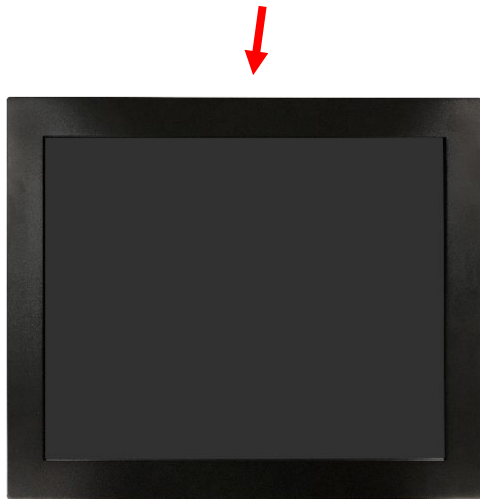
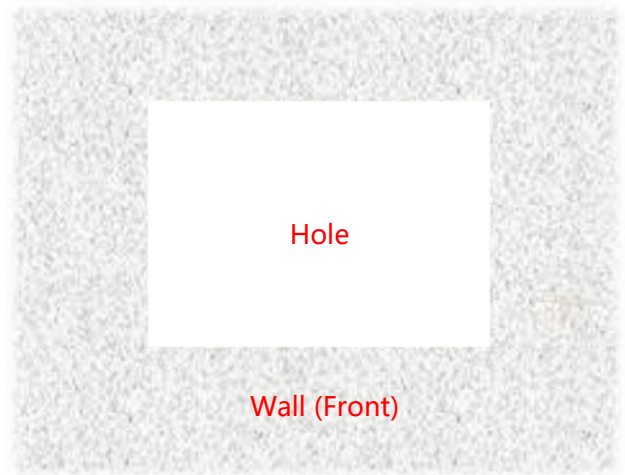


Panel Mount Kits (Option)



Dimension for Installing with Panel Mount Kits



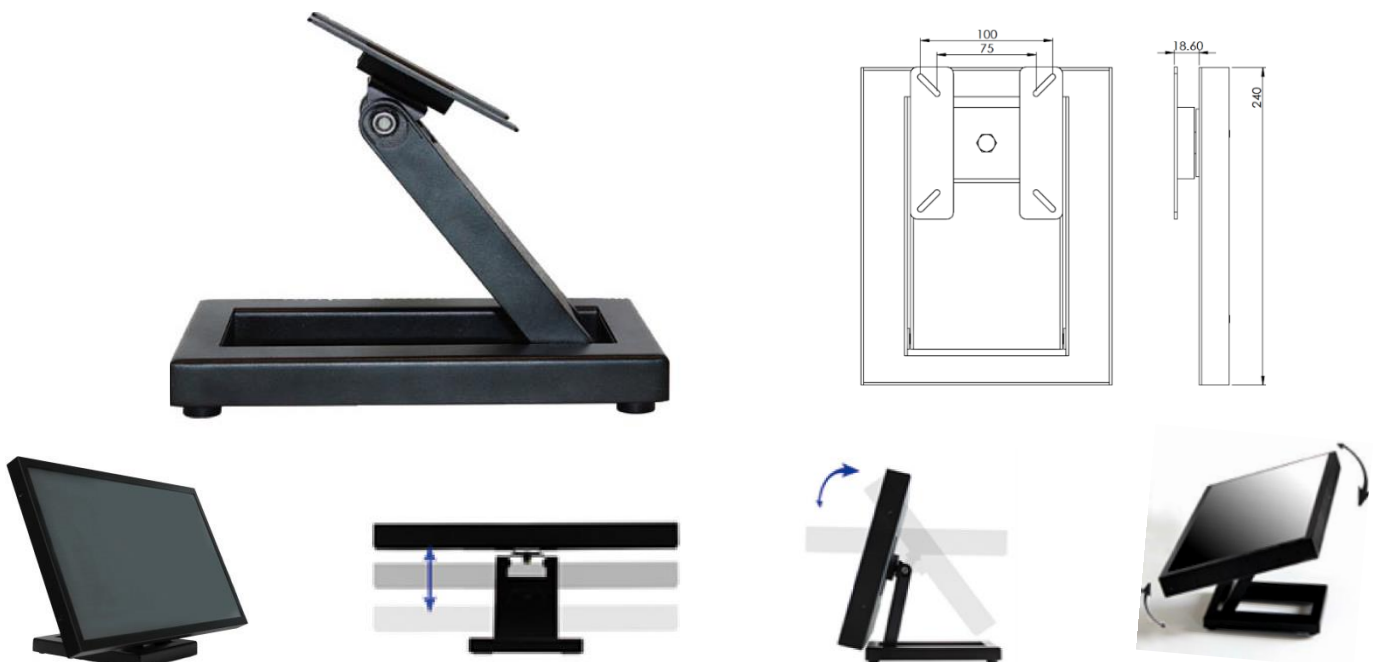


Desktop Stand (Option)

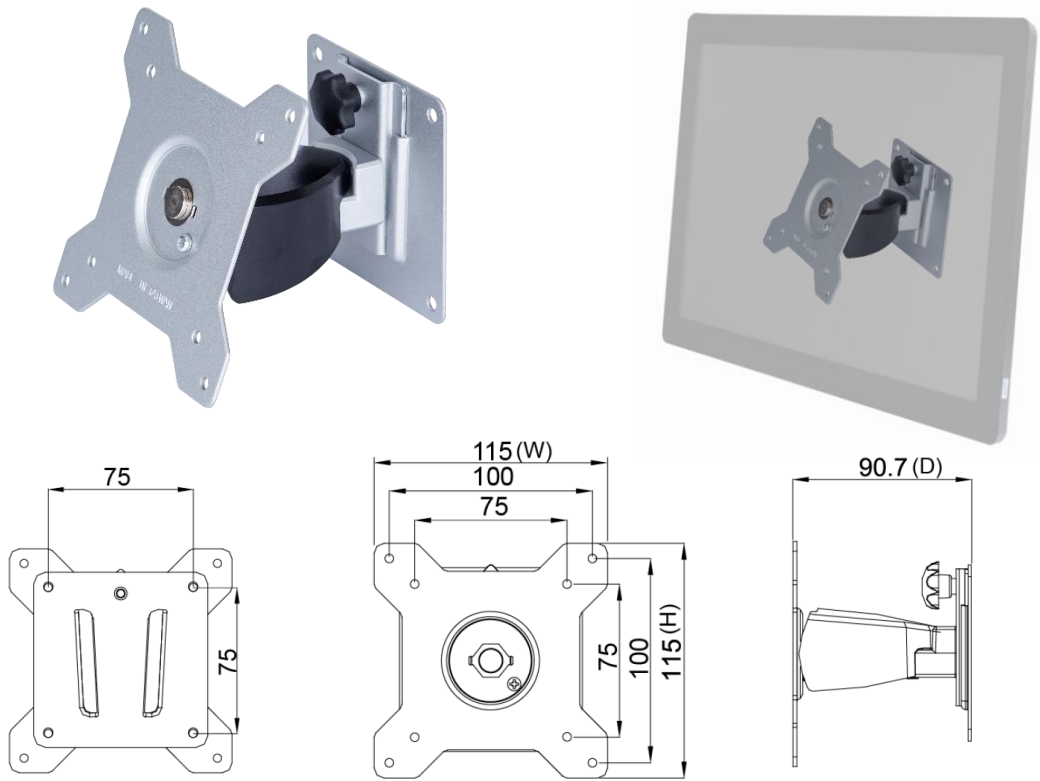
Item	B Stand	Part No.	DST-0B002/DST-1B002
Mounting Pattern	100x100 / 75x75 mm	Dimension (WxHxD)	203x275x227 mm
Material	Steel/Plastic/Aluminum	Net Weight	1.8 KG
Tilt (Hinge)	-2° ~ +180°	Support Max. Weight	15 KG



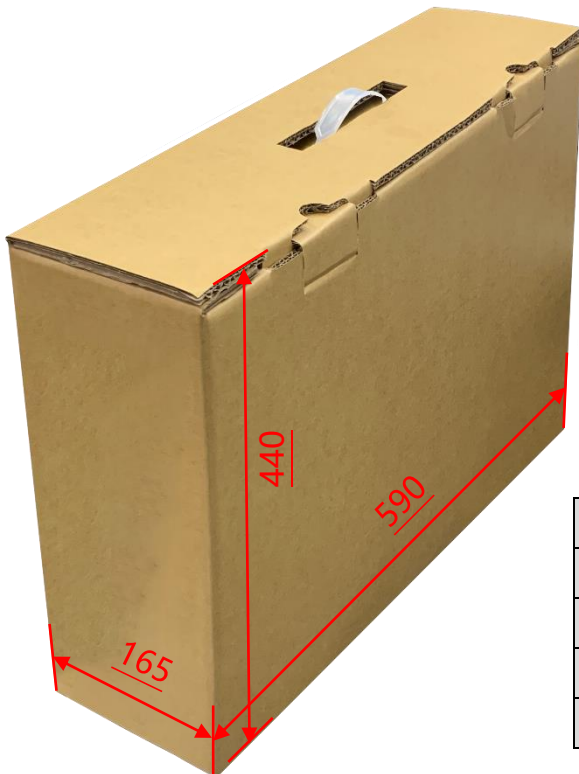
Item	Z Stand	Part No.	DST-0BZ01/DST-1BZ01
Mounting Pattern	100x100 / 75x75 mm	Dimension (WxHxD)	190x240x41.6
Material	SECC	Net Weight	2.6 KG
Tilt (Hinge)	±360°	Support Max. Weight	15 KG



Wall Mount Bracket (Option)



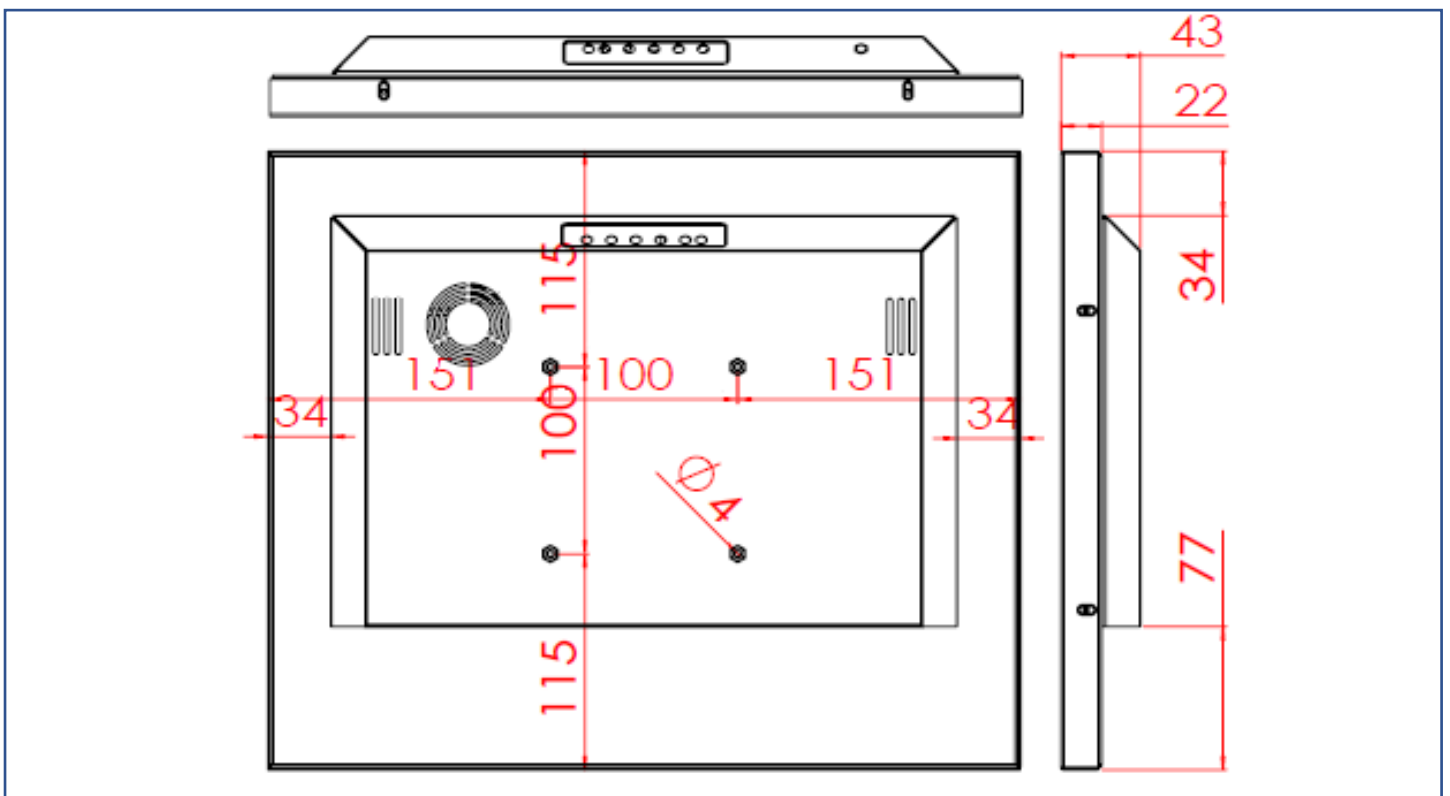
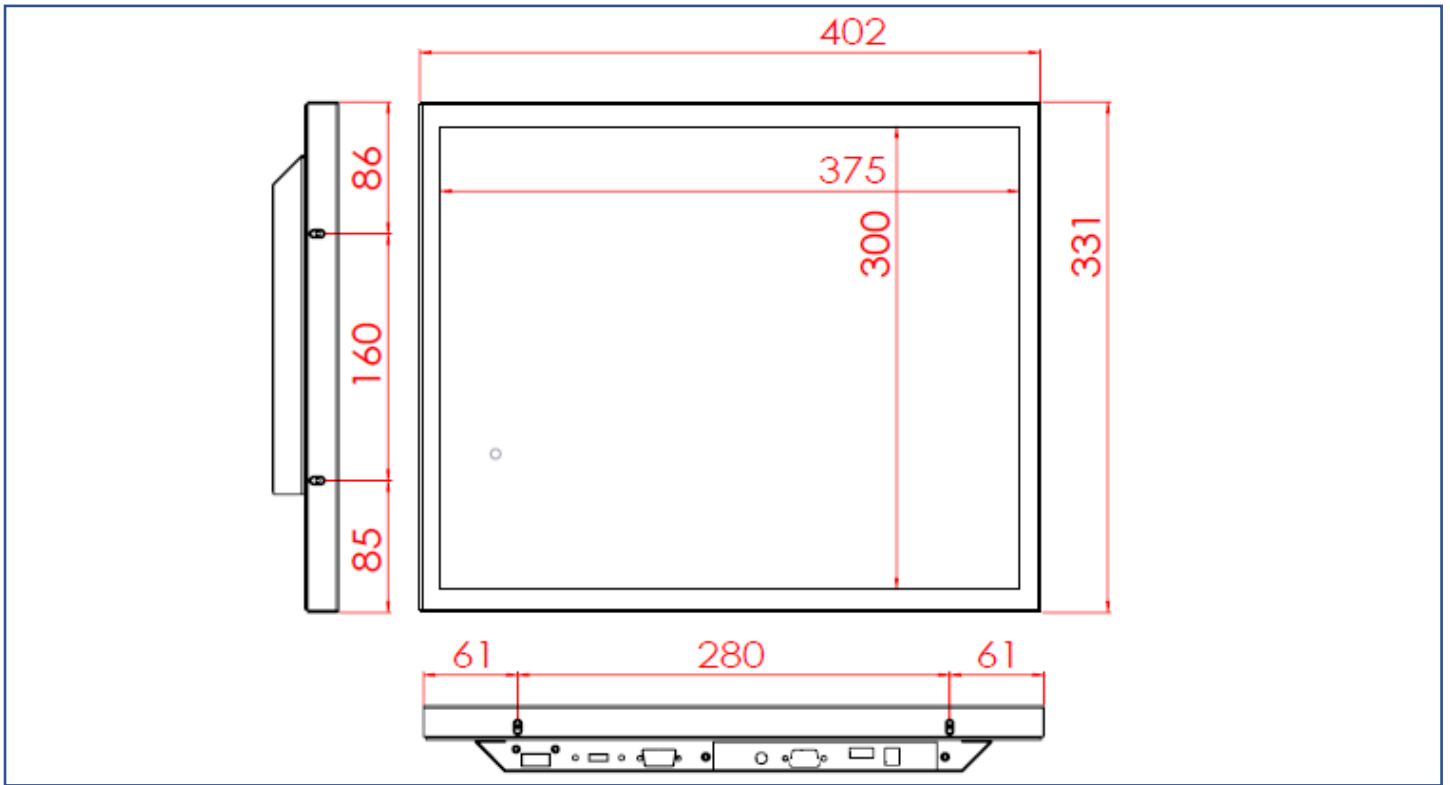
Packing Information



Unit Carton Size	590x165x440 mm
Unit N. Weight	≤4.3 KG
Unit G. Weight	≤6.1 KG
Units per Pallet	36 units
Pallet Size	120x100x147 CM

Physical Specifications

Dimension (Max)	402x331x43(±2)mm	Net Weight	≤4.3 KG
VESA Mounting	100x100 mm	Gross Weight	≤6.1 KG



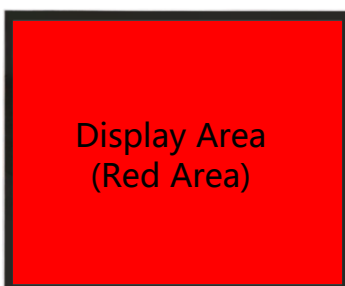
Cosmetic Inspection Standard

Display Area Allowance			
Defect description	Defective Specifications	Allowance	Remarks
Dot Defect (including dark dot, particles, bubbles, pits, dust, foreign matter)	$D \leq 0.2\text{mm}$	Ignored	D=Diameter
	$0.2 < D \leq 0.7\text{mm}$	$N \leq 5$	N=Quantity
	$0.7 < D \leq 1\text{mm}$	$N \leq 3$	
	$D > 1\text{mm}$	$N \leq 0$	
Linear Defect (including scratches, fluff, particles)	$W \leq 0.15\text{mm}$	Ignored	W=Width
	$0.15 < W \leq 0.5\text{mm}, L \leq 15\text{mm}$	$N \leq 2$	L=Length
	$W > 0.5\text{mm}$ or $L > 15\text{mm}$	NG	

* Visual inspection distance: 60cm, 90 degree (same for front/side/back)

Front Appearance Allowance (Including Coating)			
Defect description	Defective Specifications	Allowance	Remarks
Dot Defect (including particles, bubbles, pits...etc.)	$D \leq 0.7\text{mm}$	Ignored	D=Diameter
	$0.7 < D \leq 1.5\text{mm}$	$N \leq 3$	N=Quantity
	$D > 1.5\text{mm}$	$N \leq 0$	
Linear Defect (including scratches, fluff, particles)	$W \leq 0.2\text{mm}, L \leq 15\text{mm}$	Ignored	W=Width, L=Length
	$0.2 < W \leq 0.7\text{mm}, L \leq 15\text{mm}$	$N \leq 1$	
	$W > 0.7\text{mm}$ or $L > 15\text{mm}$	NG	

Side / Back Appearance Allowance (Including Coating)			
Defect description	Defective Specifications	Allowance	Remarks
Dot Defect (including particles, bubbles, pits...etc.)	$D \leq 1.5\text{mm}$	Ignored	D=Diameter
	$1.5 < D \leq 3\text{mm}$	$N \leq 8$	N=Quantity
	$D > 3\text{mm}$	$N \leq 2$	
Linear Defect (including scratches, fluff, particles)	$W \leq 0.8\text{mm}, L \leq 15\text{mm}$	Ignored	W=Width, L=Length
	$0.8 < W \leq 1.5\text{mm}, L \leq 15\text{mm}$	$N \leq 5$	
	$W > 1.5\text{mm}$ or $L > 15\text{mm}$	NG	



Display Area
(Red Area)



Front Appearance (Red Area)



Back Appearance