

# Product Specifications

<b>Customer</b>	
<b>Model</b>	<b>NTSM170-2 V500</b>



Records of Revision			
Vision	Modifying	Old Description	New Description
v2112.1	Preliminary Specifications		
v2112.2	Modify the Design of the Carton		
<b>v2112.3</b>	<b>New trademark released</b>		

### Features

- ★ 17 inch Industrial Grade Panel, 1280x1024 Resolution
- ★ Operating Temperature Range -30~85°C
- ★ Metal Cabinet with Diverse Combine Options
- ★ Made in Taiwan, 3 Years Warranty, Designed for Harsh Environments
- ★ Resistive Touch Options, Supports NEXTECH Dedicated Stylus
- ★ Optional Video Input (VGA/DVI/HDMI/DP)
- ★ Optional Software Remote Control by RS232 or DDC/CI
- ★ Optional 9~36VDC Power Input
- ★ Optional High Brightness 1500nits, for Outdoor Environment
- ★ Optional Auto Dimming Function (with Light Sensor)
- ★ Optional AG Coating/Antibacterial/Privacy Filter Surface Treatment



PSE



BSMI



RoHS



CE



ISO9001



FCC



Desktop Stand



Wall Mounting



Open-frame Bracket



Panel Mount

## Display Specifications

Model Name	<b>NTSM170XX2XX-XXXXXX-500*</b>	Display Mode	<b>TN Type, Normally Black</b>
Screen Diagonal	<b>432mm (17.0 inch)</b>	Response Time	<b>30 msec.</b>
Display Area	<b>337.9x270.3 mm</b>	Backlight Unit	<b>LED (white LED)</b>
Resolution	<b>1280x1024</b>	Viewing Angle (L/R, U/D)	<b>80°/80°/60°/80°</b>
Contrast Ratio	<b>800:1</b>	Backlight Lifetime	<b>&gt;50,000 Hours</b>
Display Ratio	<b>4:3</b>	Operating Temp.	<b>-30~85°C</b>
Support Colors	<b>16.7M Colors</b>	Storage Temp.	<b>-30~85°C</b>
Pixel Pitch	<b>264x264 um</b>		

\* X = A~Z, 0~9 (Depends on options)

## Display Options

Brightness			
	Brightness	Environment	Model Name
<b>Standard</b>	<b>350nits</b>	<b>General (Indoor)</b>	<b>NTSM170NX2XX-XXXXXX-500</b>
Option 1	1000nits	Outdoor Environment	NTSM170AX2XX-XXXXXF-500
Option 2	1500nits	Sunlight Readable	NTSM170FX2XX-XXXXXF-500

## Accessories

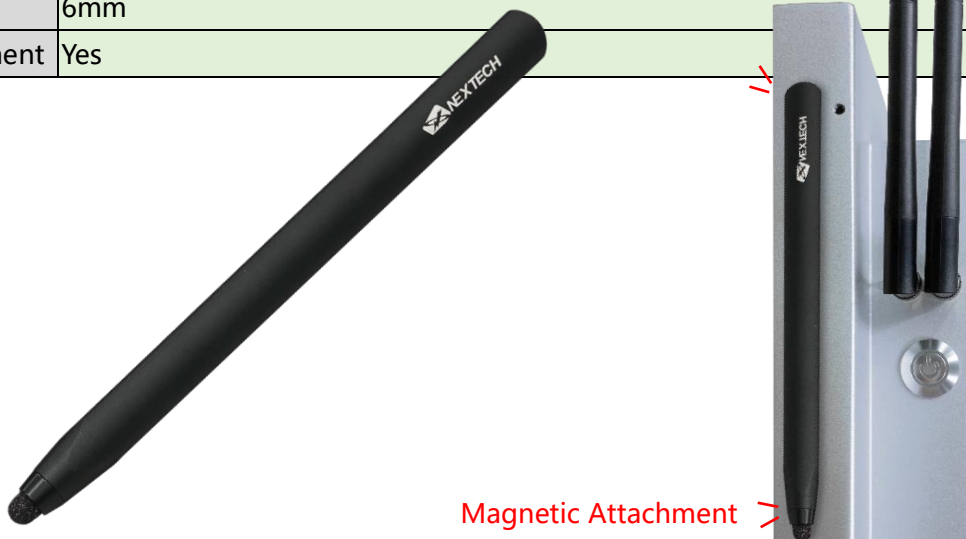
Item	Description	Quantity
HDMI Cable	<b>Male to Male, 1.8 Meter</b>	<b>1</b>
AC-DC Adapter	<b>12V with CE/FCC/CCC/UL/RoHS/PSE/JET Certification</b>	<b>1</b>
Power Cord	<b>*Country Specific</b>	<b>1</b>
USB Cable	<b>A type, Male to Male, 1.8 Meter *(only for touch monitor)</b>	<b>1</b>

## Touch Options

Resistive Touch			
Model Name	NTSM170X52XX-XXXXBX-500		
Touch Technology	Resistive Touch	Transparency	80%±5%
Allowed Touch Points	1 point	Surface Treatment	Anti-glare<15%
Interface	USB/RS232	Hardness	≥3H
Precision	98.50%		

Non-Touch	
Model Name	NTSM170X02XX-XXXX0X-500

Passive Stylus Pen (Option)	
Technology	Passive High Sensitive Knitted Wire Mesh Fiber Tip
Size of tip	6mm
Magnetic Attachment	Yes



## Supported OS

Windows	Win7, Win8, Win10, Win11 ↑
Linux	Kernel 2.6.24 ↑
Android	3.0 ↑
Mac	10.5.x ↑ (Intel CPU)

## General Options

Video Input		
	Description	Model Name
<b>Standard</b>	<b>VGA+HDMI+DP</b>	<b>NTSM170XX2<u>3</u>X-XXXXXX-500</b>
Option	VGA+DVI	NTSM170XX2 <u>1</u> 1-XXXXXX-500



VGA+HDMI+DP

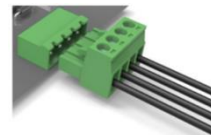


VGA+DVI

Power Input		
	Description	Model Name
<b>Standard</b>	<b>12V, Lockable DC Jack <math>\Phi</math>2.1mm</b>	<b>NTSM170XX2<u>3</u>2-XXXXXX-500</b>
Option 1	12VDC, DC Jack $\Phi$ 2.1mm	NTSM170XX2 <u>1</u> 1-XXXXXX-500
Option 2	9~36VDC, Phoenix Terminal Block	NTSM170XX2 <u>3</u> P-XXXXXX-500



Lockable DC Power Jack



Phoenix Terminal Block

Surface Treatment		
	Description	Model Name
<b>Standard</b>	<b>(none)</b>	<b>NTSM170XX2XX-<u>00</u>XXXX-500</b>
Option 1	Anti-Glare Coating	NTSM170XX2XX- <u>GG</u> XXXX-500
Option 2	Antibacterial (AB Film)	NTSM170XX2XX- <u>AB</u> XXXX-500
Option 3	Anti-Spy (AS Film)	NTSM170XX2XX- <u>SF</u> XXXX-500

## General Options (Continued)

Color of Cabinet		
	Description	Model Name
<b>Standard</b>	<b>Black</b>	<b>NTSM170XX2XX-XXBXXX-500</b>
Option 1	White	NTSM170XX2XX-XXWXXX-500
Option 2	Silver	NTSM170XX2XX-XXSXXX-500
Options	Other Colors	NTSM170XX2XX-XXXXX-500

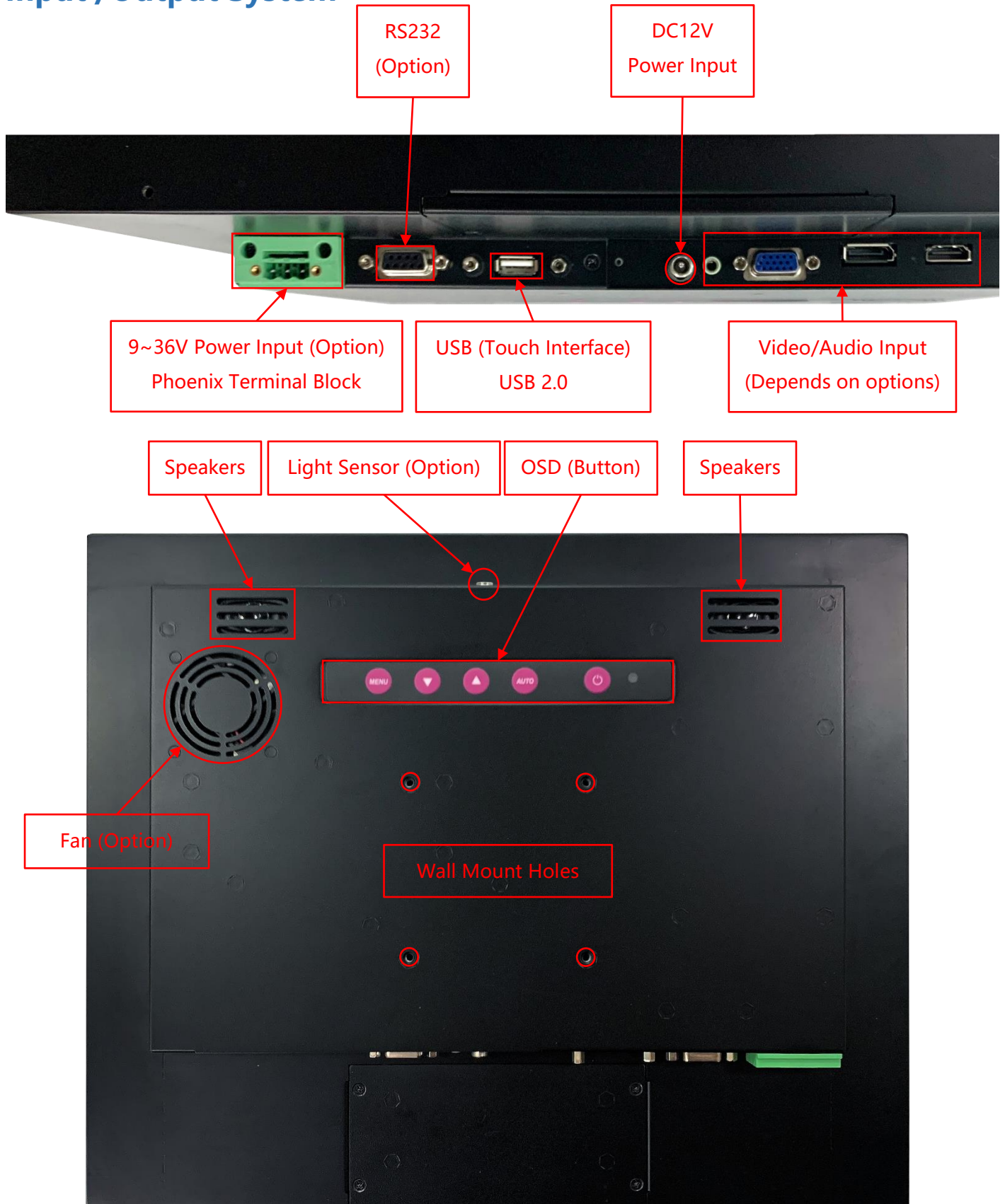
\* X = A~Z, 0~9 (Depends on Color)

Material of Cabinet		
	Description	Model Name
<b>Standard</b>	<b>SECC</b>	<b>NTSM170XX2XX-XXXSXX-500</b>
Option 1	Stainless Steel	NTSM170XX2XX-XXXLXX-500
Option 2	Aluminum	NTSM170XX2XX-XXXAXX-500

Touch Interface		
	Description	Model Name
<b>Standard</b>	<b>USB+RS232</b>	<b>NTSM170X52XX-XXXXBX-500</b>
Option	Non-Touch	NTSM170X02XX-XXXX0X-500

Cooling Fan		
	Description	Model Name
<b>Standard</b>	<b>Fanless</b>	<b>NTSM170XX2XX-XXXXX0-500</b>
Option	7 Blades/4000r.p.m/28.3dB	NTSM170XX2XX-XXXXXF-500

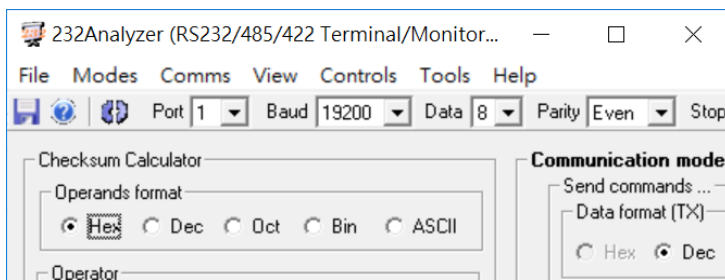
## Input /Output System





## Other Options

OSD Control		
	Item	Description
<b>Standard</b>	<b>Button</b>	<b>Rear Physical Button</b>
Option 1	Software Remote Control	Software Remote Control by RS232/Serial Port
Option 2	Auto Dimming	Auto Brightness Adjusting by Light Sensor

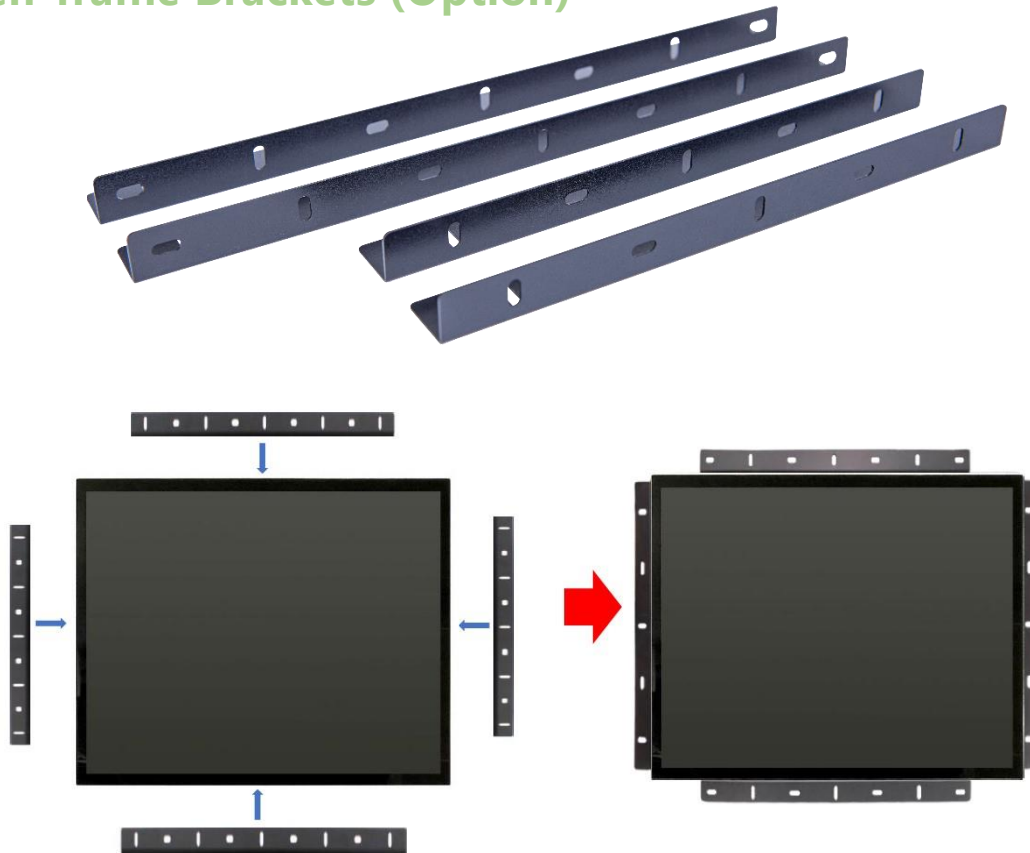


\* Software Remote Control

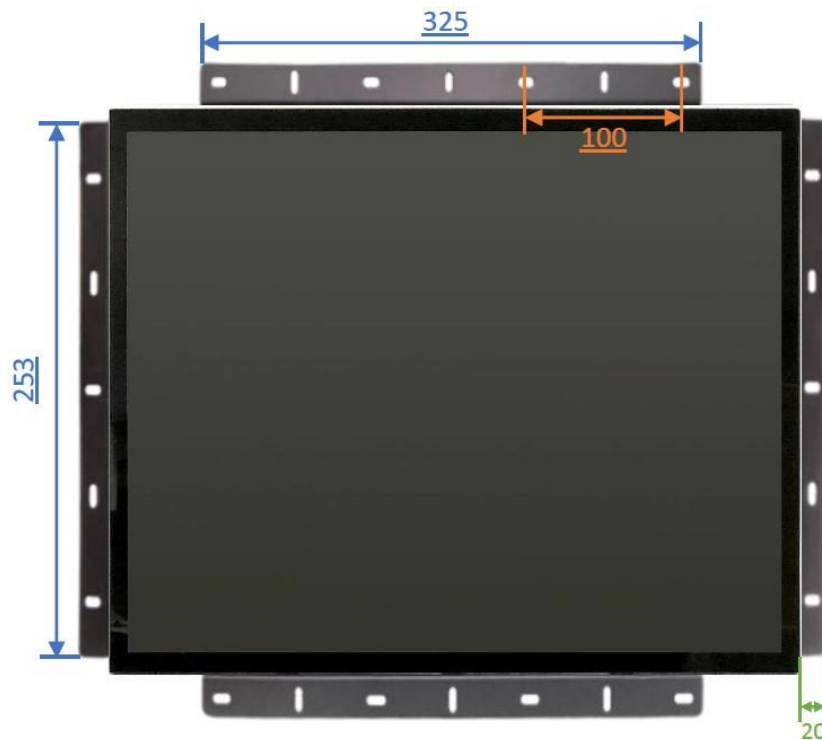




### Open-frame Brackets (Option)



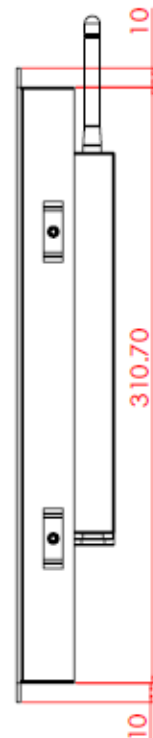
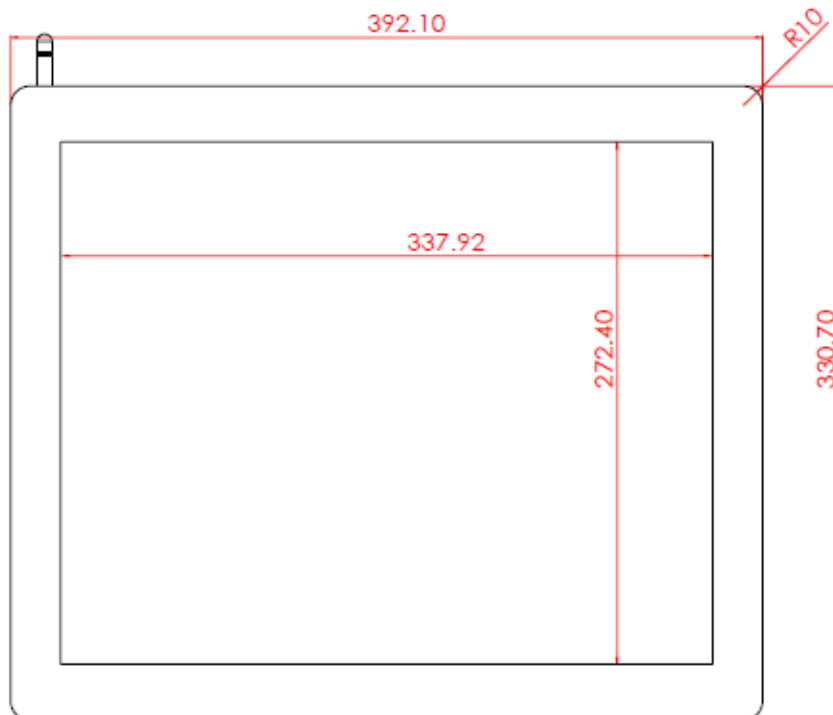
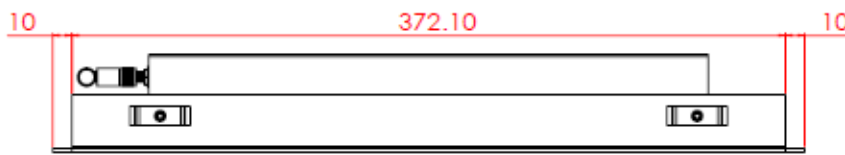
### Dimension for Installing with Open-frame Brackets

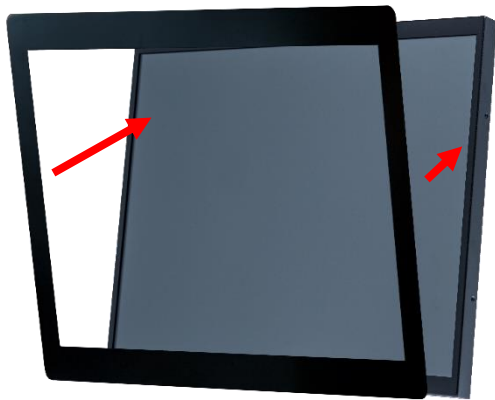


**Panel Mount Kits (Option)**

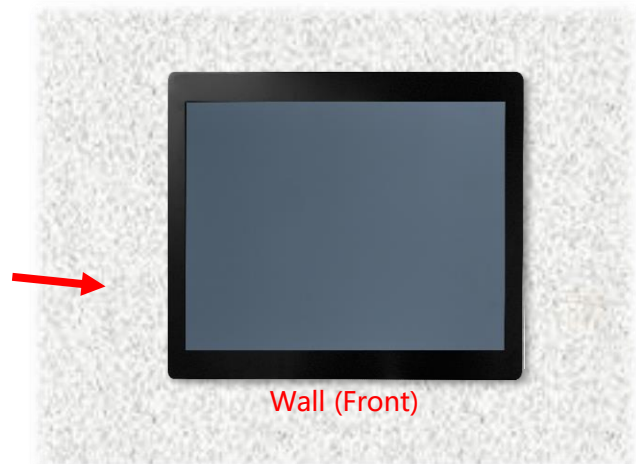
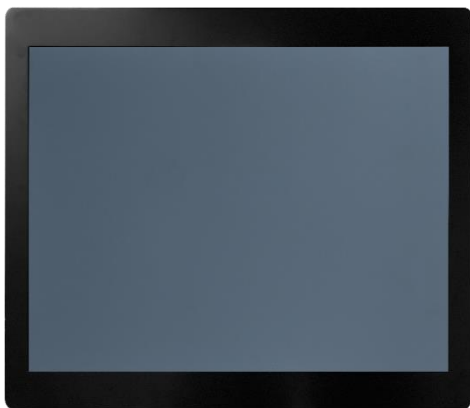
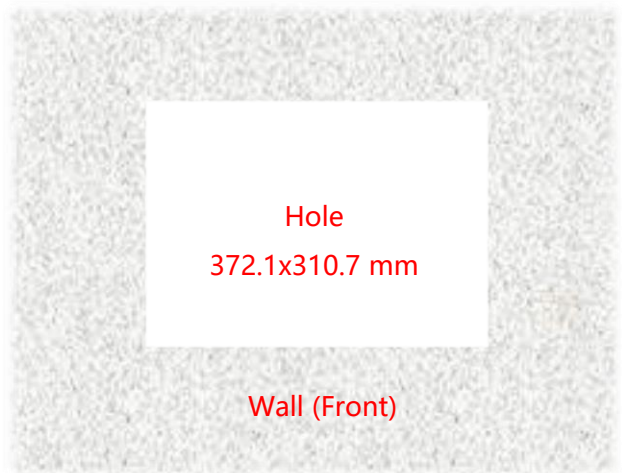


**Dimension for Installing with Panel Mount Kits**

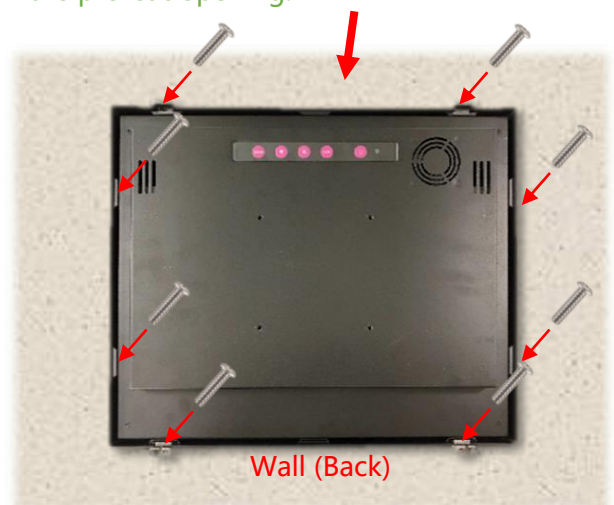




Step 1: Assemble the front module with the screen body. (This step is pre-assembled at the factory.)



Step 2: Insert the screen from the front into the pre-cut opening.



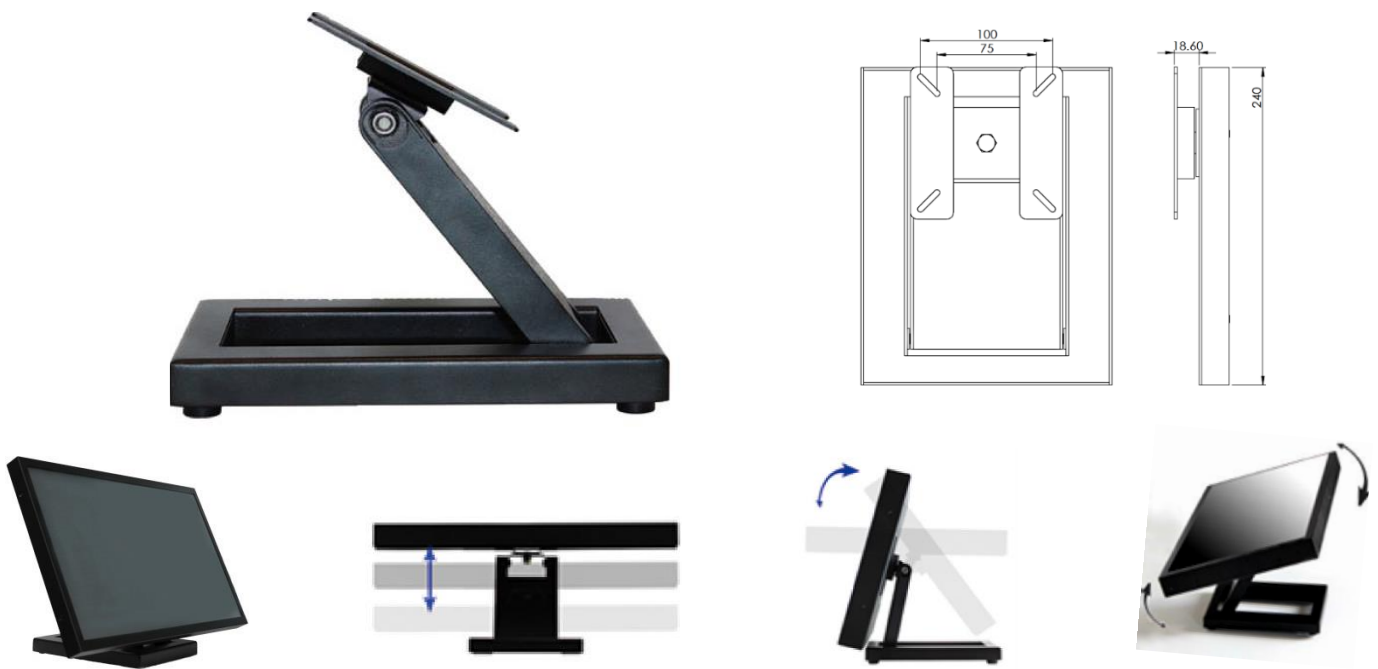
Step 3: Attach the clips from the back and secure with screws. (Up to 8 clips can be installed as needed or per positional limitations.)

**Desktop Stand (Option)**

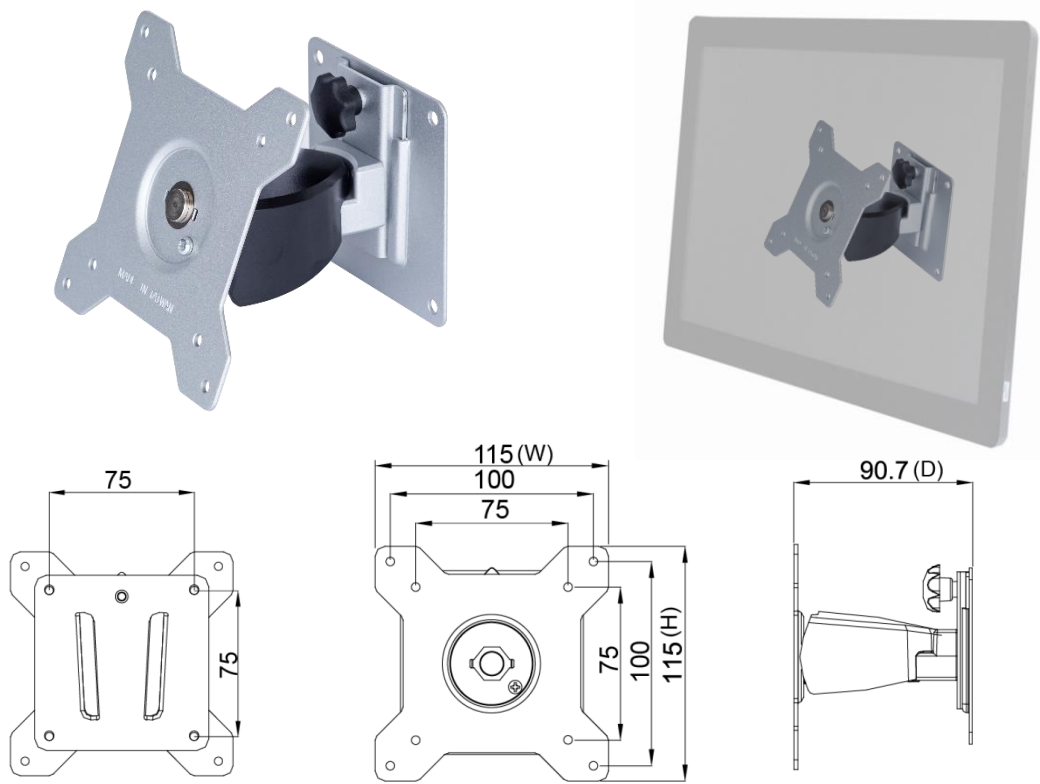
Item	B Stand	Part No.	DST-0B002/DST-1B002
Mounting Pattern	100x100 / 75x75 mm	Dimension (WxHxD)	203x275x227 mm
Material	Steel/Plastic/Aluminum	Net Weight	1.8 KG
Tilt (Hinge)	-2° ~ +180°	Support Max. Weight	15 KG



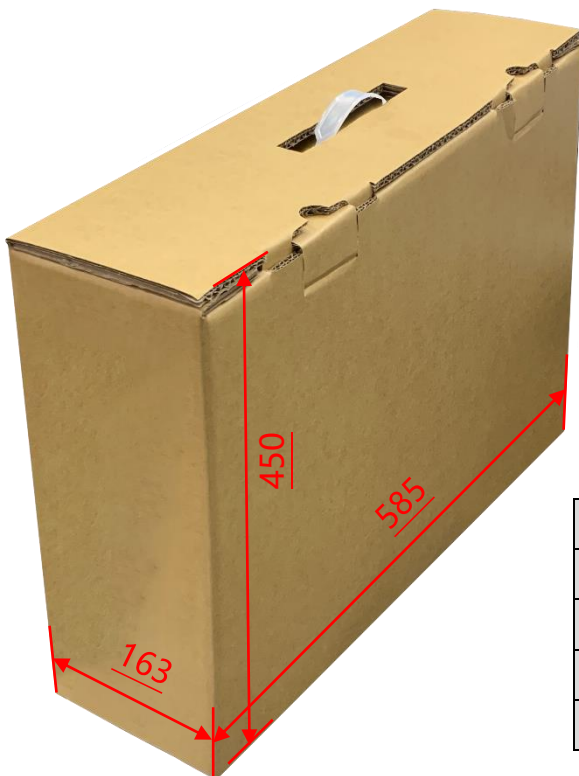
Item	Z Stand	Part No.	DST-0BZ01/DST-1BZ01
Mounting Pattern	100x100 / 75x75 mm	Dimension (WxHxD)	190x240x41.6
Material	SECC	Net Weight	2.6 KG
Tilt (Hinge)	±360°	Support Max. Weight	15 KG



## Wall Mount Bracket (Option)



## Packing Information



Unit Carton Size	<b>585x163x450 mm</b>
Unit N. Weight	<b>≤3.9 KG</b>
Unit G. Weight	<b>≤5.8 KG</b>
Units per Pallet	<b>36 units</b>
Pallet Size	<b>120x100x147 CM</b>



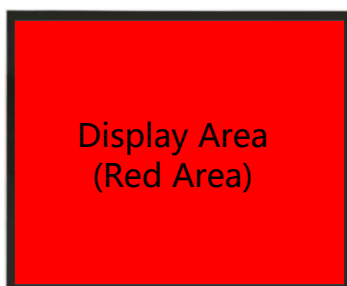
## Cosmetic Inspection Standard

Display Area Allowance			
Defect description	Defective Specifications	Allowance	Remarks
Dot Defect (including dark dot, particles, bubbles, pits, dust, foreign matter)	$D \leq 0.2\text{mm}$	Ignored	D=Diameter
	$0.2 < D \leq 0.7\text{mm}$	$N \leq 5$	N=Quantity
	$0.7 < D \leq 1\text{mm}$	$N \leq 3$	
	$D > 1\text{mm}$	$N \leq 0$	
Linear Defect (including scratches, fluff, particles)	$W \leq 0.15\text{mm}$	Ignored	W=Width
	$0.15 < W \leq 0.5\text{mm}, L \leq 15\text{mm}$	$N \leq 2$	L=Length
	$W > 0.5\text{mm}$ or $L > 15\text{mm}$	NG	

\* Visual inspection distance: 60cm, 90 degree (same for front/side/back)

Front Appearance Allowance (Including Coating)			
Defect description	Defective Specifications	Allowance	Remarks
Dot Defect (including particles, bubbles, pits...etc.)	$D \leq 0.7\text{mm}$	Ignored	D=Diameter
	$0.7 < D \leq 1.5\text{mm}$	$N \leq 3$	N=Quantity
	$D > 1.5\text{mm}$	$N \leq 0$	
Linear Defect (including scratches, fluff, particles)	$W \leq 0.2\text{mm}, L \leq 15\text{mm}$	Ignored	W=Width, L=Length
	$0.2 < W \leq 0.7\text{mm}, L \leq 15\text{mm}$	$N \leq 1$	
	$W > 0.7\text{mm}$ or $L > 15\text{mm}$	NG	

Side / Back Appearance Allowance (Including Coating)			
Defect description	Defective Specifications	Allowance	Remarks
Dot Defect (including particles, bubbles, pits...etc.)	$D \leq 1.5\text{mm}$	Ignored	D=Diameter
	$1.5 < D \leq 3\text{mm}$	$N \leq 8$	N=Quantity
	$D > 3\text{mm}$	$N \leq 2$	
Linear Defect (including scratches, fluff, particles)	$W \leq 0.8\text{mm}, L \leq 15\text{mm}$	Ignored	W=Width, L=Length
	$0.8 < W \leq 1.5\text{mm}, L \leq 15\text{mm}$	$N \leq 5$	
	$W > 1.5\text{mm}$ or $L > 15\text{mm}$	NG	



Display Area  
(Red Area)



Front Appearance (Red Area)



Back Appearance