

# Product Specifications

<b>Customer</b>	
<b>Model</b>	<b>NTSM156-4 V500</b>



Records of Revision			
Vision	Modifying	Old Description	New Description
v2407.1	Preliminary Specifications		

### Features

- ★ 15.6 inch Industrial Grande Panel, 1920x1080 (FHD) Resolution
- ★ AHVA Wide Viewing Angle Technology (178°/178°)
- ★ 1000nits High Brightness
- ★ Wide Operating Temperature Range -30~85°C
- ★ Metal Cabinet with Diverse Combine Options
- ★ Made in Taiwan, 3 Years Warranty, Designed for Harsh Environments
- ★ Resistive Touch Options
- ★ Optional Video Input (VGA/HDMI/DP)
- ★ Optional Software Remote Control by RS232 or DDC/CI
- ★ Optional 9~36VDC Power Input
- ★ Optional High Brightness 1500nits, for Outdoor Environment
- ★ Optional Auto Dimming Function (with Light Sensor)
- ★ Optional AG Coating/Antibacterial/Privacy Filter Surface Treatment



PSE



BSMI



RoHS



CE



ISO9001



FCC



Desktop Stand



Wall Mounting



Open-frame Brackets



Panel Mount

## Display Specifications

Model Name	<b>NTSM156H<del>X</del>4D<del>X</del>-<del>XXXXX</del>F-500*</b>	Display Mode	<b>AHVA Mode, Normally Black</b>
Screen Diagonal	<b>15.6 inch</b>	Response Time	<b>25 msec.</b>
Display Area	<b>344.2x193.6 mm</b>	Backlight Unit	<b>LED (white LED)</b>
Resolution	<b>1920x1080 (FHD)</b>	Viewing Angle (L/R, U/D)	<b>178°/178° (CR<sub>≥</sub>10)</b>
Contrast Ratio	<b>1000:1</b>	Backlight Lifetime	<b>&gt;50,000 Hours</b>
Display Ratio	<b>16:9</b>	Operating Temp.	<b>-30~85°C</b>
Support Colors	<b>16.7M Colors</b>	Storage Temp.	<b>-30~85°C</b>
Pixel Pitch	<b>0.17925x0.17925 mm</b>	Brightness	<b>1000 nits</b>

\* X = A~Z, 0~9 (Depends on options)

## Accessories

Item	Description	Quantity
HDMI Cable	<b>Male to Male, 1.8 Meter</b>	<b>1</b>
AC-DC Adapter	<b>12V with CE/FCC/CCC/UL/RoHS/PSE/JET Certification</b>	<b>1</b>
Power Cord	<b>*Country Specific</b>	<b>1</b>
USB Cable	<b>A type, Male to Male, 1.8 Meter *(only for touch monitor)</b>	<b>1</b>

## Supported OS

Windows	<b>Win7, Win8, Win10, Win11 ↑</b>
Linux	<b>Kernel 2.6.24 ↑</b>
Android	<b>3.0 ↑</b>
Mac	<b>10.5.x ↑ (Intel CPU)</b>

## Touch Options

Touch Screen		
	Description	Model Name
<b>Standard</b>	<b>Resistive Touch</b>	<b>NTSM156H54DX-XXXBF-500</b>
Option	Non-Touch	NTSM156H04DX-XXXXOF-500

### Resistive Touch

Touch Technology	Resistive Touch	Transparency	80%±5%
Allowed Touch Points	1 point	Surface Treatment	Anti-glare<15%
Precision	98.50%	Hardness	≥3H

Passive Stylus Pen (Option)	
Technology	Passive High Sensitive Knitted Wire Mesh Fiber Tip
Size of tip	6mm
Magnetic Attachment	Yes

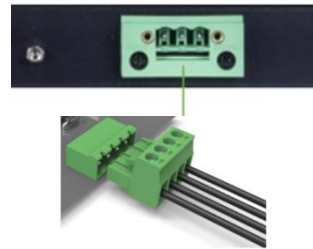


## General Options

Power Input		
	Description	Model Name
<b>Standard</b>	12V, Lockable DC Jack $\Phi$ 2.1mm	<b>NTSM156HX4D<u>2</u>-<u>XXXXXF</u>-500</b>
Option	9~36VDC, Phoenix Terminal Block	NTSM156HX4D <u>P</u> - <u>XXXXXF</u> -500



Lockable DC Power Jack



Phoenix Terminal Block

Surface Treatment		
	Description	Model Name
<b>Standard</b>	<b>(none)</b>	<b>NTSM156HX2DX-<u>00XXXXF</u>-500</b>
Option 1	Anti-Glare Coating	NTSM156HX2DX- <u>GGXXXXF</u> -500
Option 2	Antibacterial (AB Film)	NTSM156HX2DX- <u>ABXXXXF</u> -500
Option 3	Anti-Spy (AS Film)	NTSM156HX2DX- <u>SFXXXXF</u> -500

Color of Cabinet		
	Description	Model Name
<b>Standard</b>	<b>Black</b>	<b>NTSM156HX4DX-<u>XXBXXXXF</u>-500</b>
Option 1	White	NTSM156HX4DX- <u>XXWXXXXF</u> -500
Option 2	Silver	NTSM156HX4DX- <u>XXSXXXXF</u> -500
Options	Other Colors	NTSM156HX4DX- <u>XXXXXXXF</u> -500

\* X = A~Z, 0~9 (Depends on Color)

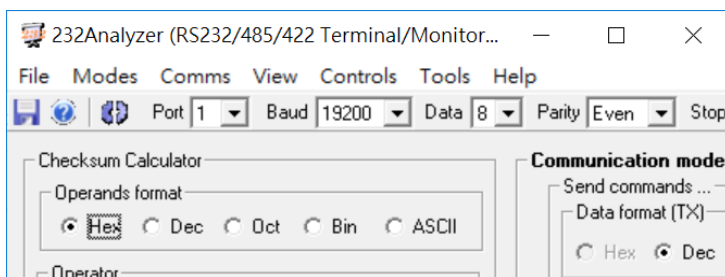
## General Options (Continued)

Material of Cabinet		
	Description	Model Name
<b>Standard</b>	<b>SECC</b>	<b>NTSM156HX4DX-XXXSXF-500</b>
Option 1	Stainless Steel	NTSM156HX4DX-XXXLXF-500
Option 2	Aluminum	NTSM156HX4DX-XXXAXF-500

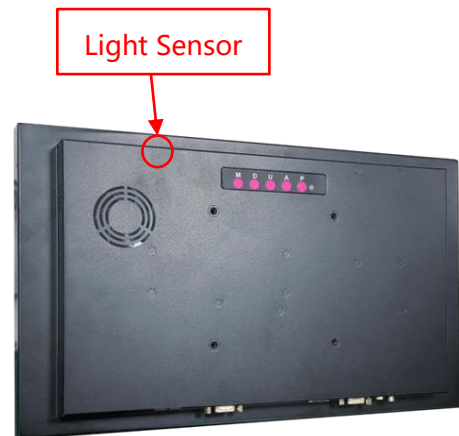
Touch Interface		
	Description	Model Name
<b>Standard</b>	<b>USB+RS232</b>	<b>NTSM156H54DX-XXXXBF-500</b>
Option	Non-Touch	NTSM156H04DX-XXXX0F-500

## Other Options

OSD Control		
	Item	Description
<b>Standard</b>	<b>Button</b>	<b>Rear Physical Button</b>
Option 1	Software Remote Control	Software Remote Control by RS232/Serial Port
Option 2	Auto Dimming	Auto Brightness Adjusting by Light Sensor



\* Software Remote Control





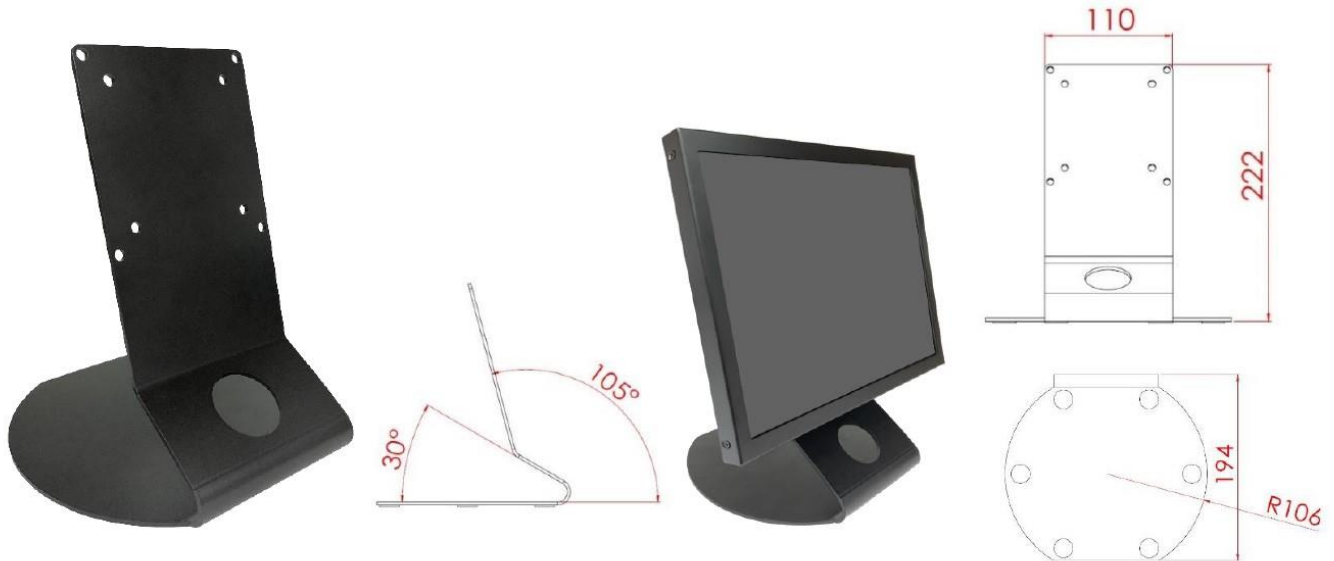
## Input /Output System





**Desktop Stand (Option)**

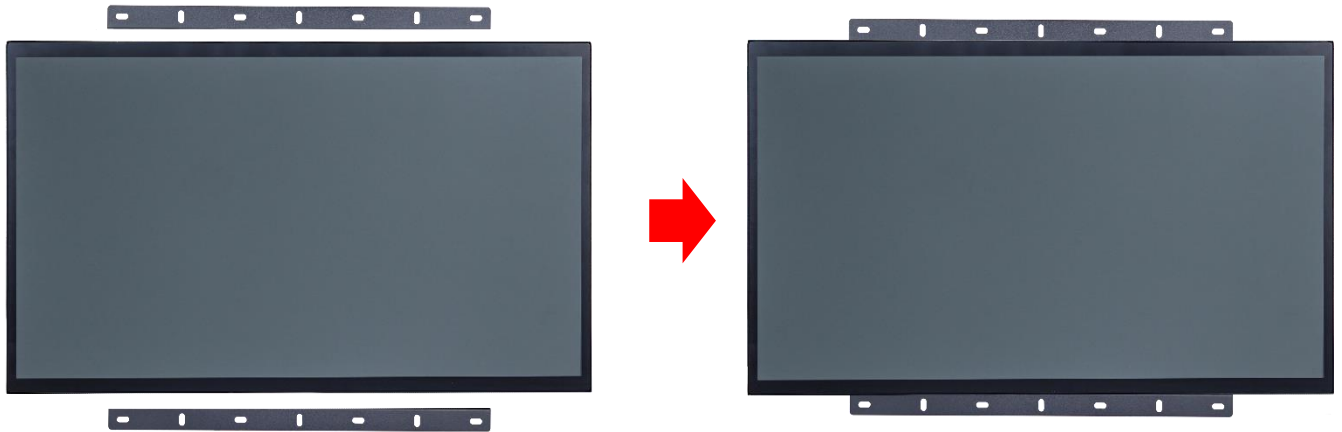
Item	L Stand	Part No.	DST-0B004/DST-1B004
Mounting Pattern	100x100 / 75x75 mm	Dimension (WxHxD)	194x194x222 mm
Material	SECC	Net Weight	1.4 KG
Tilt (Hinge)	105°	Support Max. Weight	15 KG



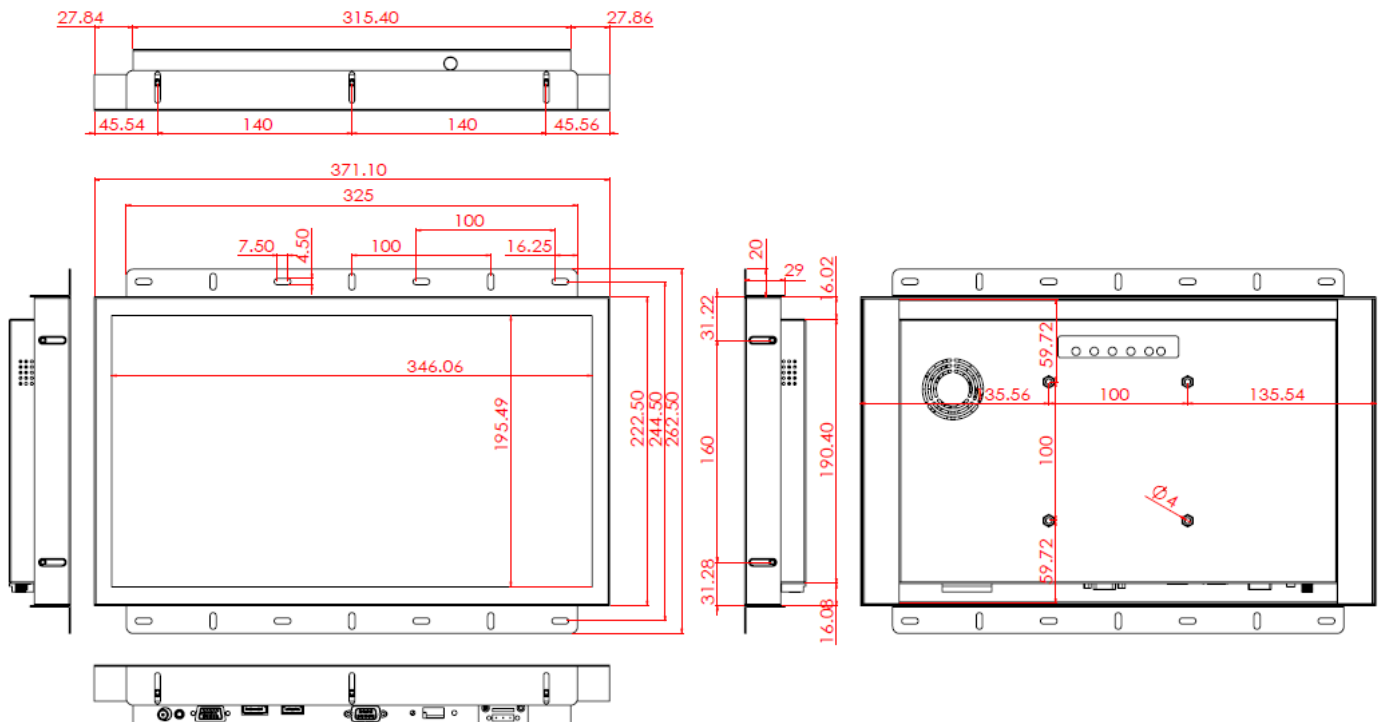
Item	B Stand	Part No.	DST-0B002/DST-1B002
Mounting Pattern	100x100 / 75x75 mm	Dimension (WxHxD)	203x275x227 mm
Material	Steel/Plastic/Aluminum	Net Weight	1.8 KG
Tilt (Hinge)	-2° ~ +180°	Support Max. Weight	15 KG



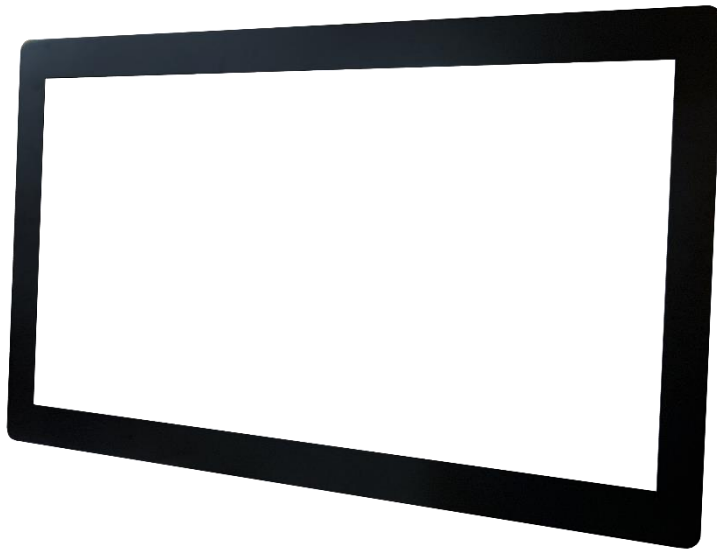
Open-frame Brackets (Option)



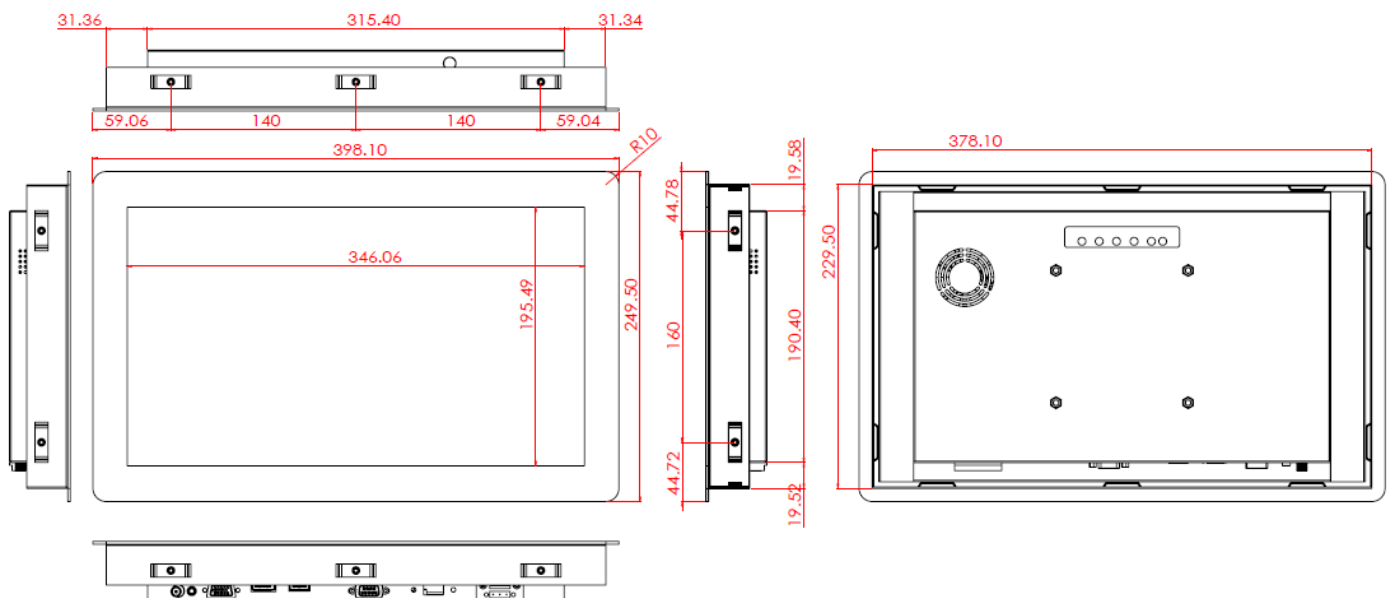
Dimension for Installing with Open-frame Brackets



Panel Mount Kits (Option)

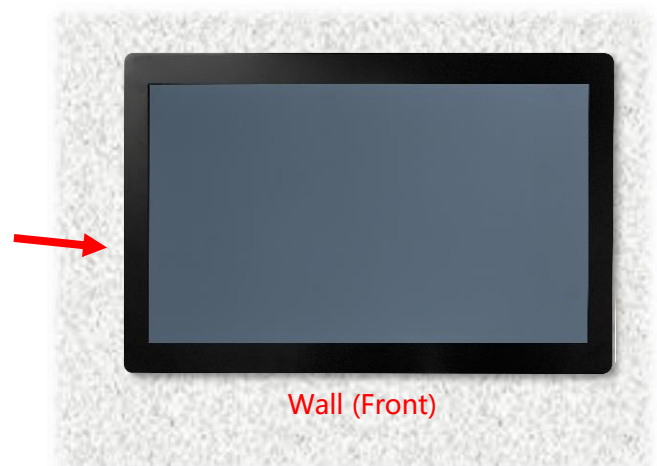
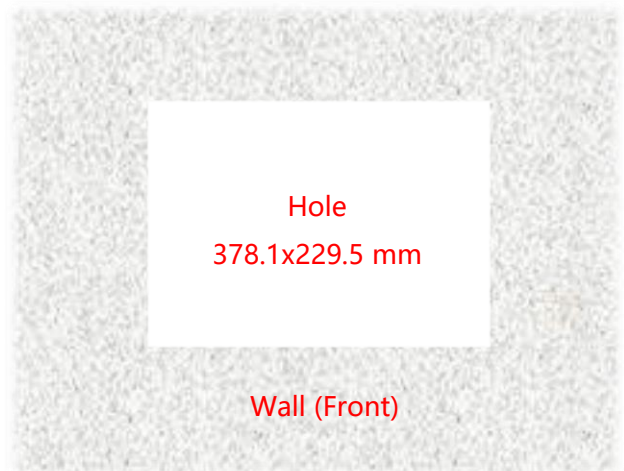
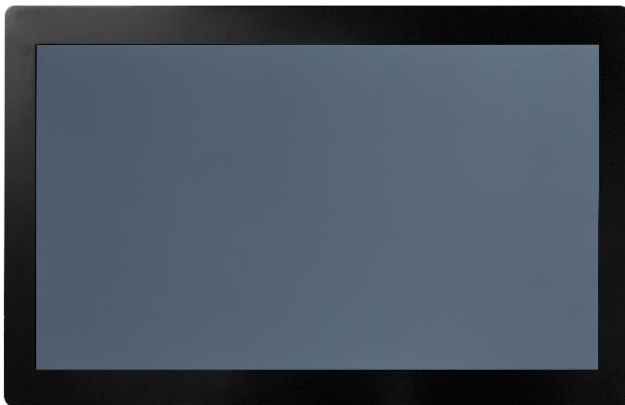


Dimension for Installing with Panel Mount Kits





Step 1: Assemble the front module with the screen body. (This step is pre-assembled at the factory.)

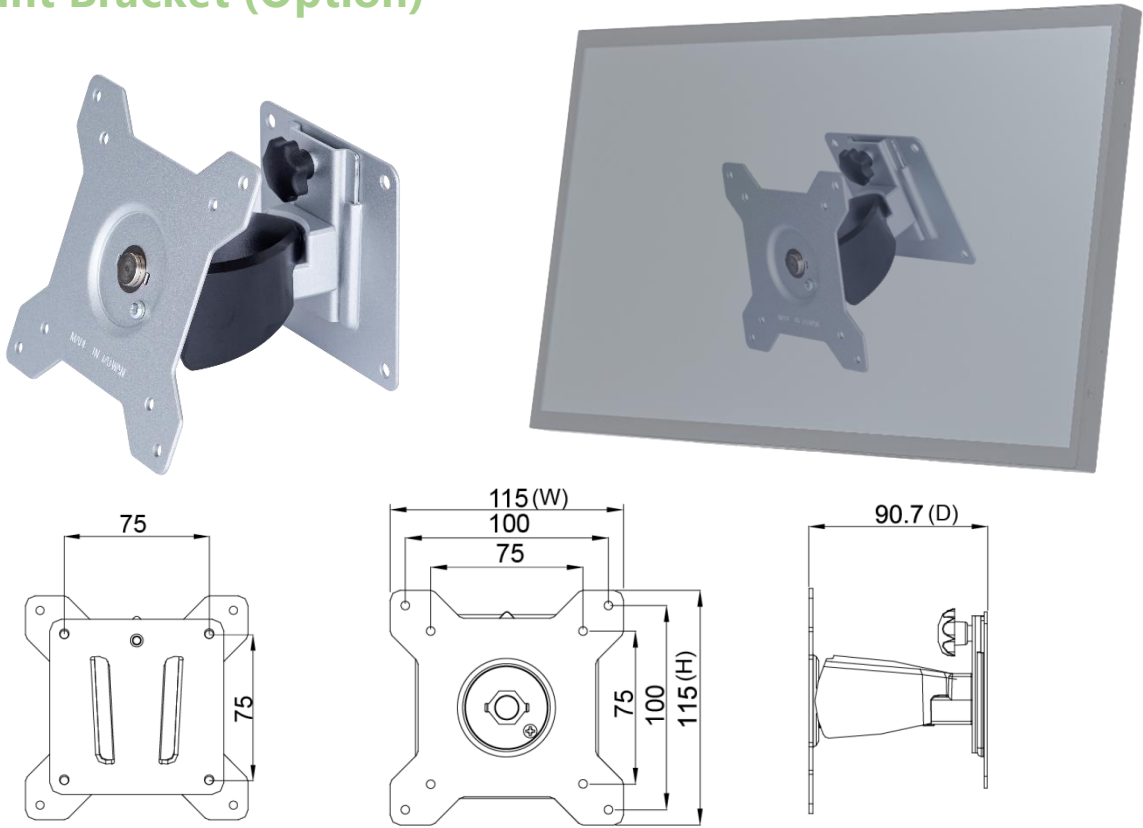


Step 2: Insert the screen from the front into the pre-cut opening.

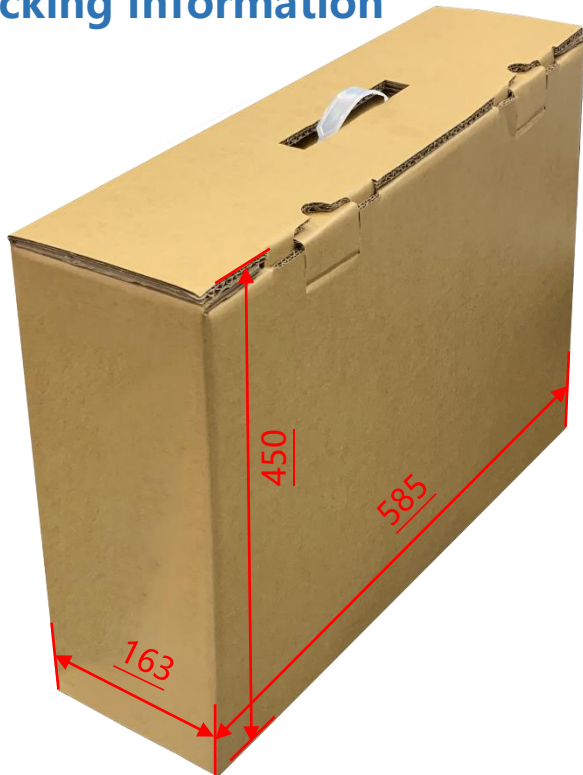


Step 3: Attach the clips from the back and secure with screws. (Up to 10 clips can be installed as needed or per positional limitations.)

**Wall Mount Bracket (Option)**



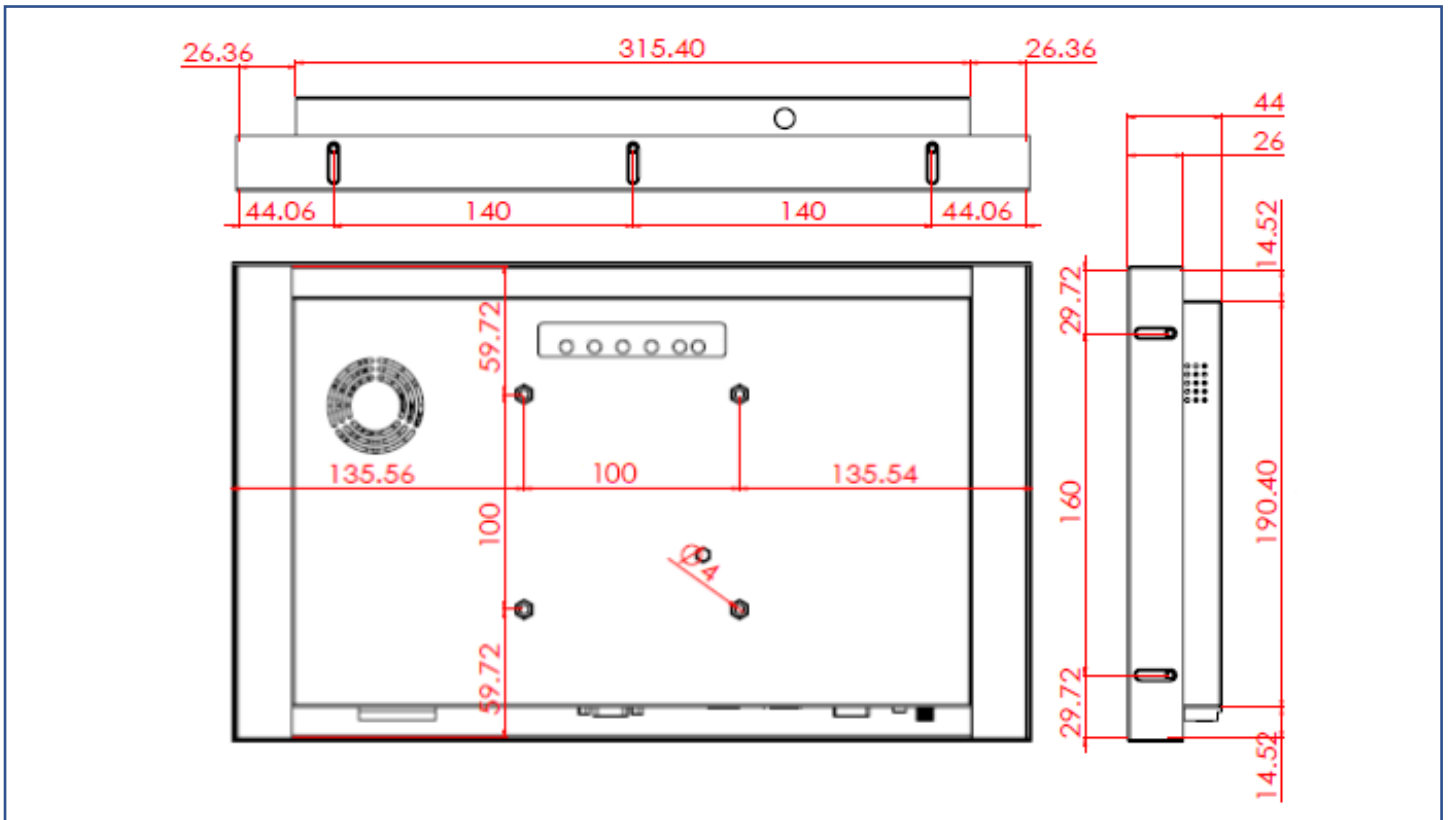
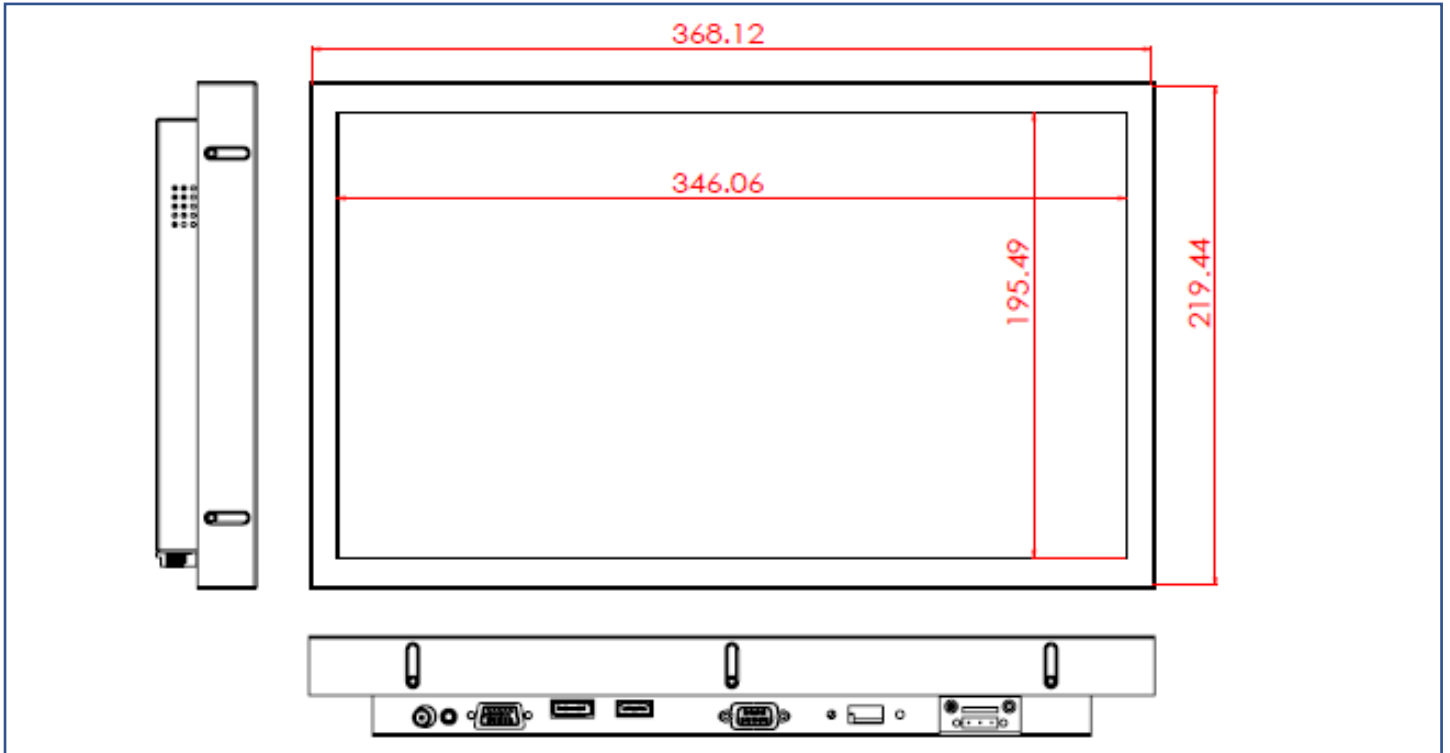
**Packing Information**



Unit Carton Size	<b>585x163x450 mm</b>
Unit N. Weight	<b>≤3.2 KG</b>
Unit G. Weight	<b>≤5.0 KG</b>
Units per Pallet	<b>36 units</b>
Pallet Size	<b>120x100x147 CM</b>

## Physical Specifications

Dimension (Max)	<b>368x219.5x44(±2)mm</b>	Net Weight	<b>3.2 KG</b>
VESA Mounting	<b>100x100 mm</b>	Gross Weight	<b>5.0 KG</b>



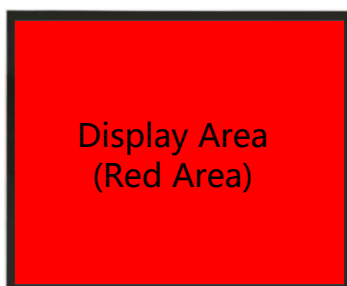
## Cosmetic Inspection Standard

Display Area Allowance			
Defect description	Defective Specifications	Allowance	Remarks
Dot Defect (including dark dot, particles, bubbles, pits, dust, foreign matter)	$D \leq 0.2\text{mm}$	Ignored	D=Diameter
	$0.2 < D \leq 0.7\text{mm}$	$N \leq 5$	N=Quantity
	$0.7 < D \leq 1\text{mm}$	$N \leq 3$	
	$D > 1\text{mm}$	$N \leq 0$	
Linear Defect (including scratches, fluff, particles)	$W \leq 0.15\text{mm}$	Ignored	W=Width
	$0.15 < W \leq 0.5\text{mm}, L \leq 15\text{mm}$	$N \leq 2$	L=Length
	$W > 0.5\text{mm}$ or $L > 15\text{mm}$	NG	

\* Visual inspection distance: 60cm, 90 degree (same for front/side/back)

Front Appearance Allowance (Including Coating)			
Defect description	Defective Specifications	Allowance	Remarks
Dot Defect (including particles, bubbles, pits...etc.)	$D \leq 0.7\text{mm}$	Ignored	D=Diameter
	$0.7 < D \leq 1.5\text{mm}$	$N \leq 3$	N=Quantity
	$D > 1.5\text{mm}$	$N \leq 0$	
Linear Defect (including scratches, fluff, particles)	$W \leq 0.2\text{mm}, L \leq 15\text{mm}$	Ignored	W=Width, L=Length
	$0.2 < W \leq 0.7\text{mm}, L \leq 15\text{mm}$	$N \leq 1$	
	$W > 0.7\text{mm}$ or $L > 15\text{mm}$	NG	

Side / Back Appearance Allowance (Including Coating)			
Defect description	Defective Specifications	Allowance	Remarks
Dot Defect (including particles, bubbles, pits...etc.)	$D \leq 1.5\text{mm}$	Ignored	D=Diameter
	$1.5 < D \leq 3\text{mm}$	$N \leq 8$	N=Quantity
	$D > 3\text{mm}$	$N \leq 2$	
Linear Defect (including scratches, fluff, particles)	$W \leq 0.8\text{mm}, L \leq 15\text{mm}$	Ignored	W=Width, L=Length
	$0.8 < W \leq 1.5\text{mm}, L \leq 15\text{mm}$	$N \leq 5$	
	$W > 1.5\text{mm}$ or $L > 15\text{mm}$	NG	



Display Area  
(Red Area)



Front Appearance (Red Area)



Back Appearance