

Product Specifications

Customer	
Model	NTSM156-3 V500



Records of Revision			
Vision	Modifying	Old Description	New Description
v2307.1	Preliminary Specifications		
v2307.2	New trademark released		

Features

- ★ 15.6 inch Wide Panel, 1920x1080 (FHD) Resolution
- ★ VA Wide Viewing Angle Technology (178°/178°)
- ★ Metal Cabinet with Diverse Combine Options
- ★ Made in Taiwan, 3 Years Warranty
- ★ Optional Video Input (VGA/HDMI/DP)
- ★ Resistive Touch Options, Supports NEXTECH Dedicated Stylus
- ★ Optional Software Remote Control by RS232 or DDC/CI
- ★ Optional 9~36VDC Power Input
- ★ Optional AG Coating/Antibacterial/Privacy Filter Surface Treatment



PSE



BSMI



RoHS



CE



ISO9001



FCC



Desktop Stand



Wall Mounting



Open-frame Brackets



Panel Mount

Display Specifications

Model Name	NTSM156NX3DX-XXXXX0-500*	Display Mode	VA Mode, Normally Black
Screen Diagonal	15.6 inch	Response Time	30 msec.
Display Area	344.1x193.5 mm	Backlight Unit	LED (white LED)
Resolution	1920x1080 (FHD)	Viewing Angle (L/R, U/D)	178°/178° (CR=10)
Contrast Ratio	3000:1	Backlight Lifetime	>15,000 Hours
Display Ratio	16:9	Operating Temp.	0~50°C
Support Colors	16.2M Colors	Storage Temp.	-20~60°C
Pixel Pitch	59.75x179.25 um	Brightness	250 nits

* X = A~Z, 0~9 (Depends on options)

Accessories

Item	Description	Quantity
HDMI Cable	Male to Male, 1.8 Meter	1
AC-DC Adapter	12V with CE/FCC/CCC/UL/RoHS/PSE/JET Certification	1
Power Cord	*Country Specific	1
USB Cable	A type, Male to Male, 1.8 Meter *(only for touch monitor)	1

Supported OS

Windows	Win7, Win8, Win10, Win11 ↑
Linux	Kernel 2.6.24 ↑
Android	3.0 ↑
Mac	10.5.x ↑ (Intel CPU)

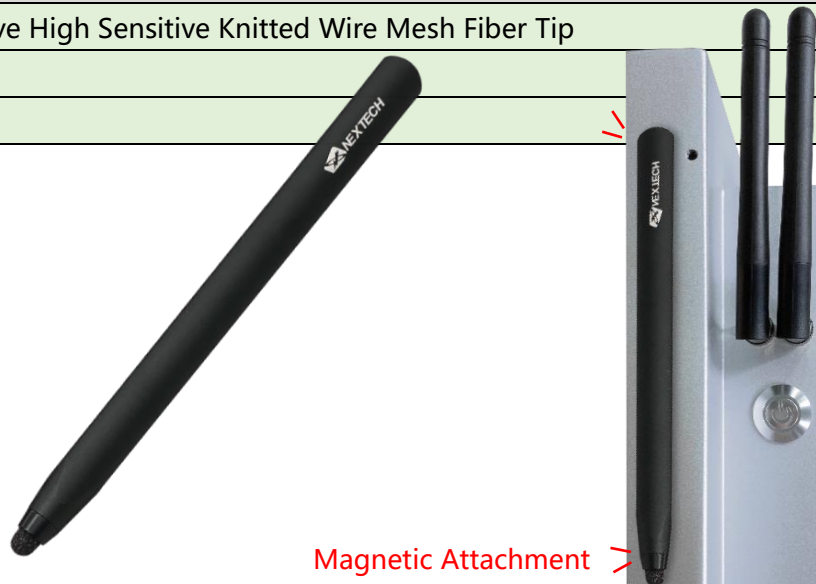
Touch Options

Touch Screen		
	Description	Model Name
Standard	Resistive Touch	NTSM156N53DX-XXXB0-500
Option	Non-Touch	NTSM156N03DX-XXXX00-500

Resistive Touch

Touch Technology	Resistive Touch	Transparency	80%±5%
Allowed Touch Points	1 point	Surface Treatment	Anti-glare<15%
Precision	98.50%	Hardness	≥3H

Passive Stylus Pen (Option)	
Technology	Passive High Sensitive Knitted Wire Mesh Fiber Tip
Size of tip	6mm
Magnetic Attachment	Yes

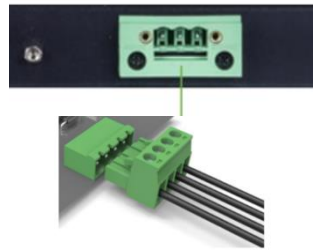


General Options

Power Input		
	Description	Model Name
Standard	12V, Lockable DC Jack Φ 2.1mm	NTSM156NX3D<u>2</u>-XXXXX0-500
Option	9~36VDC, Phoenix Terminal Block	NTSM156NX3D <u>P</u> -XXXXX0-500



Lockable DC Power Jack



Phoenix Terminal Block

Surface Film		
	Description	Model Name
Standard	(none)	NTSM156NX3DX-<u>00</u>XXXX0-500
Option 1	Anti-Glare Coating	NTSM156NX3DX- <u>GG</u> XXXX0-500
Option 2	Antibacterial (AB Film)	NTSM156NX3DX- <u>AB</u> XXXX0-500
Option 3	Anti-Spy (AS Film)	NTSM156NX3DX- <u>SF</u> XXXX0-500

Color of Cabinet		
	Description	Model Name
Standard	Black	NTSM156NX3DX-XX<u>B</u>XX0-500
Option 1	White	NTSM156NX3DX-XX <u>W</u> XX0-500
Option 2	Silver	NTSM156NX3DX-XX <u>S</u> XX0-500
Options	Other Colors	NTSM156NX3DX-XX <u>X</u> XX0-500

* X = A~Z, 0~9 (Depends on Color)

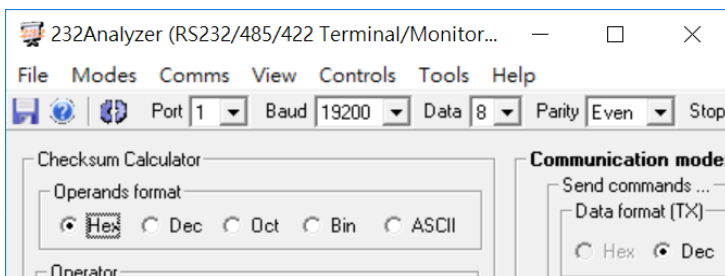
General Options (Continued)

Material of Cabinet		
	Description	Model Name
Standard	SECC	NTSM156NX3DX-XXXSX0-500
Option 1	Stainless Steel	NTSM156NX3DX-XXXLX0-500
Option 2	Aluminum	NTSM156NX3DX-XXXAX0-500

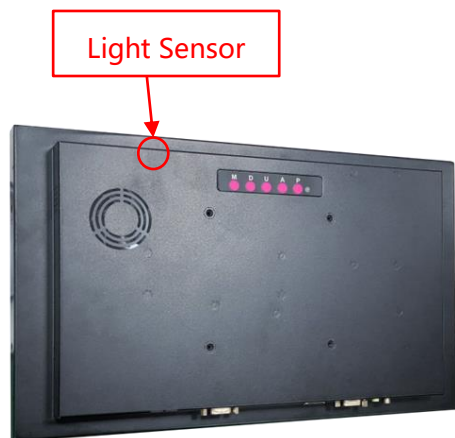
Touch Interface		
	Description	Model Name
Standard	USB+RS232	NTSM156N53DX-XXXXB0-500
Option	Non-Touch	NTSM156N03DX-XXXX00-500

Other Options

OSD Control		
	Item	Description
Standard	Button	Rear Physical Button
Option 1	Software Remote Control	Software Remote Control by RS232/Serial Port
Option 2	Auto Dimming	Auto Brightness Adjusting by Light Sensor



* Software Remote Control

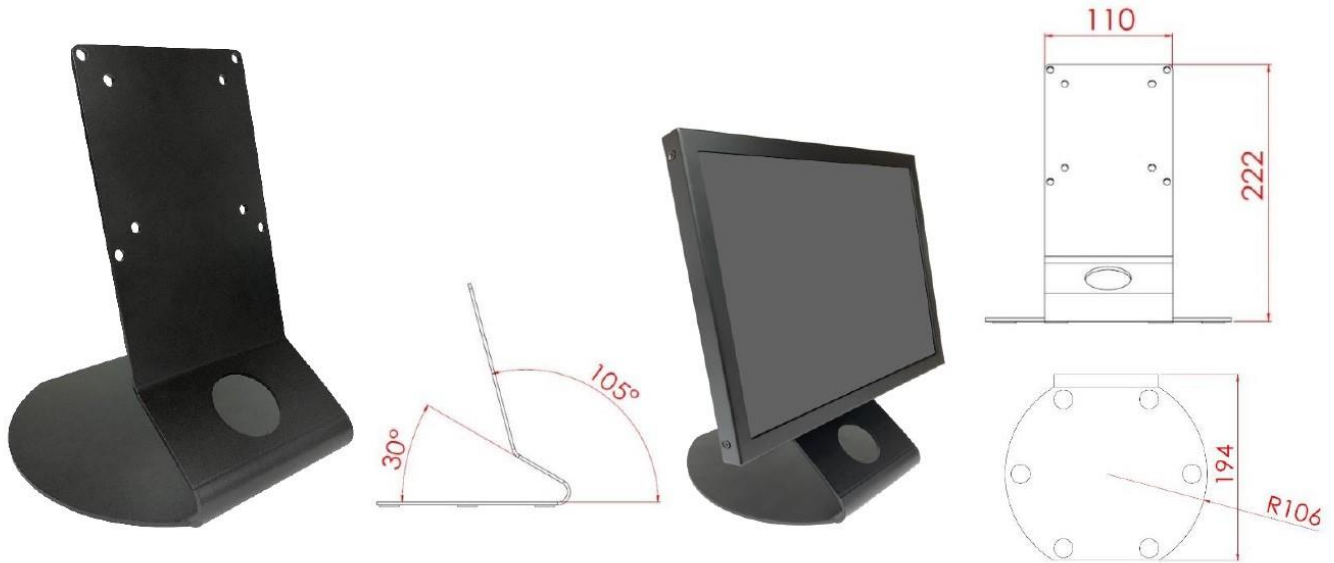


Input /Output System



Desktop Stand (Option)

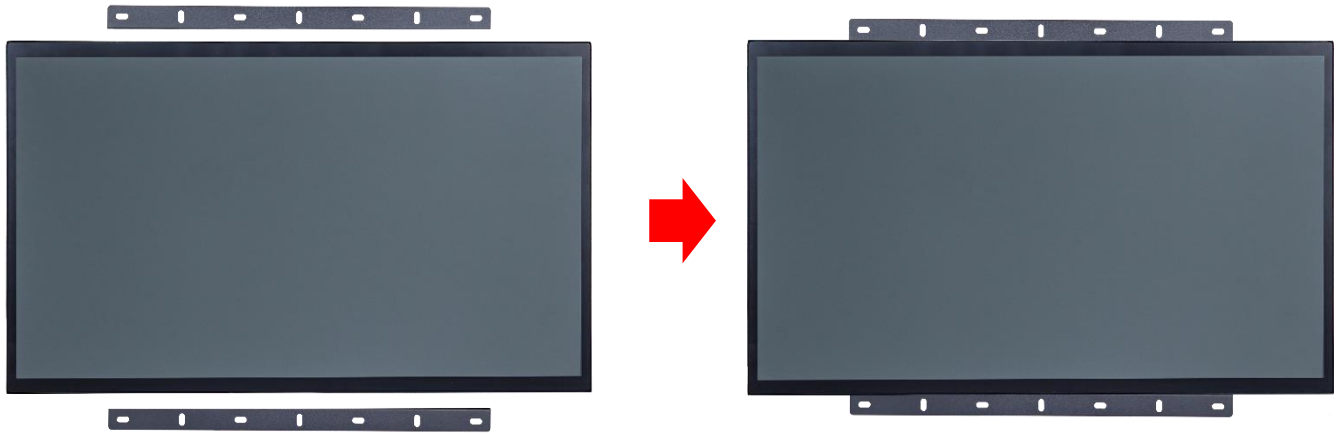
Item	L Stand	Part No.	DST-0B004/DST-1B004
Mounting Pattern	100x100 / 75x75 mm	Dimension (WxHxD)	194x194x222 mm
Material	SECC	Net Weight	1.4 KG
Tilt (Hinge)	105°	Support Max. Weight	15 KG



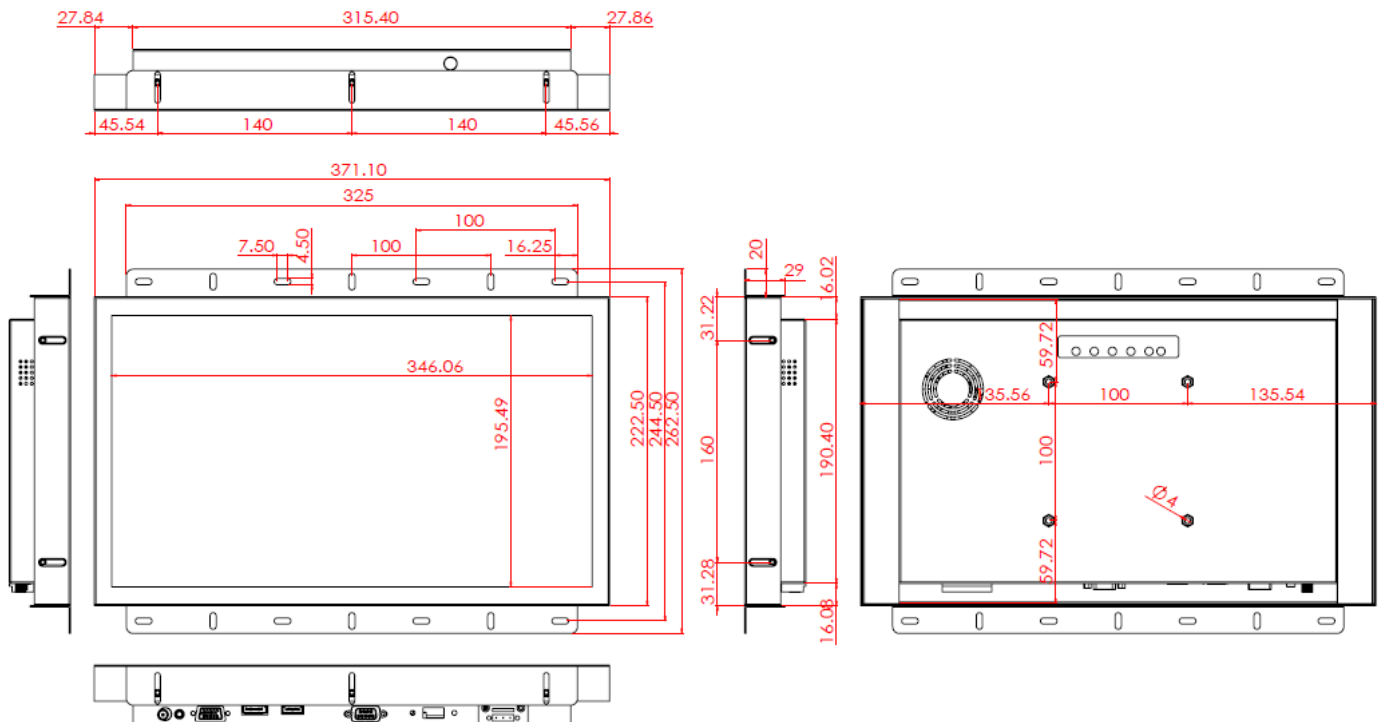
Item	B Stand	Part No.	DST-0B002/DST-1B002
Mounting Pattern	100x100 / 75x75 mm	Dimension (WxHxD)	203x275x227 mm
Material	Steel/Plastic/Aluminum	Net Weight	1.8 KG
Tilt (Hinge)	-2° ~ +180°	Support Max. Weight	15 KG



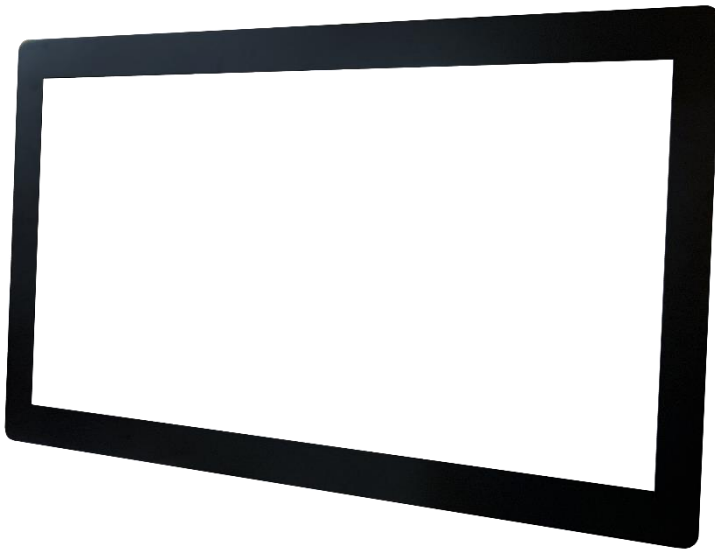
Open-frame Brackets (Option)



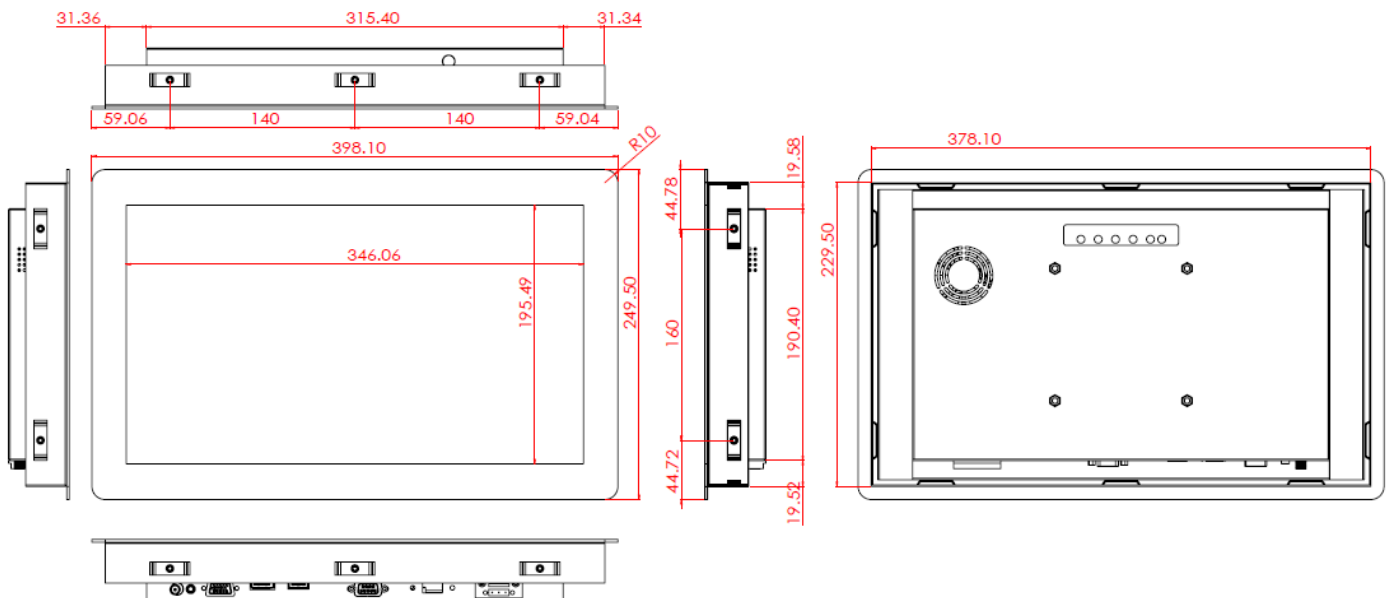
Dimension for Installing with Open-frame Brackets



Panel Mount Kits (Option)

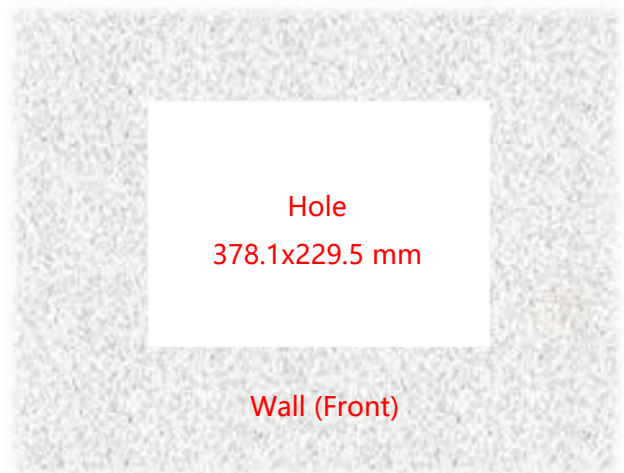
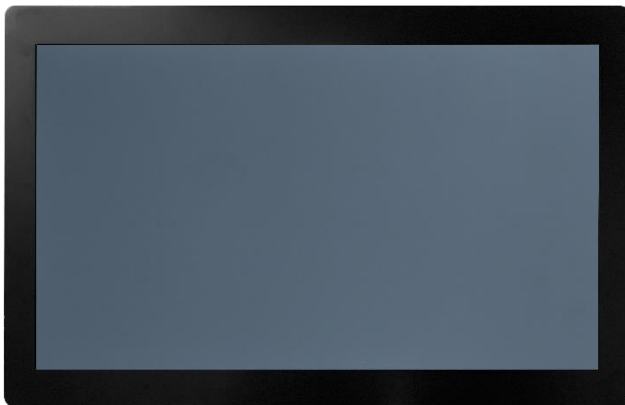


Dimension for Installing with Panel Mount Kits





Step 1: Assemble the front module with the screen body. (This step is pre-assembled at the factory.)

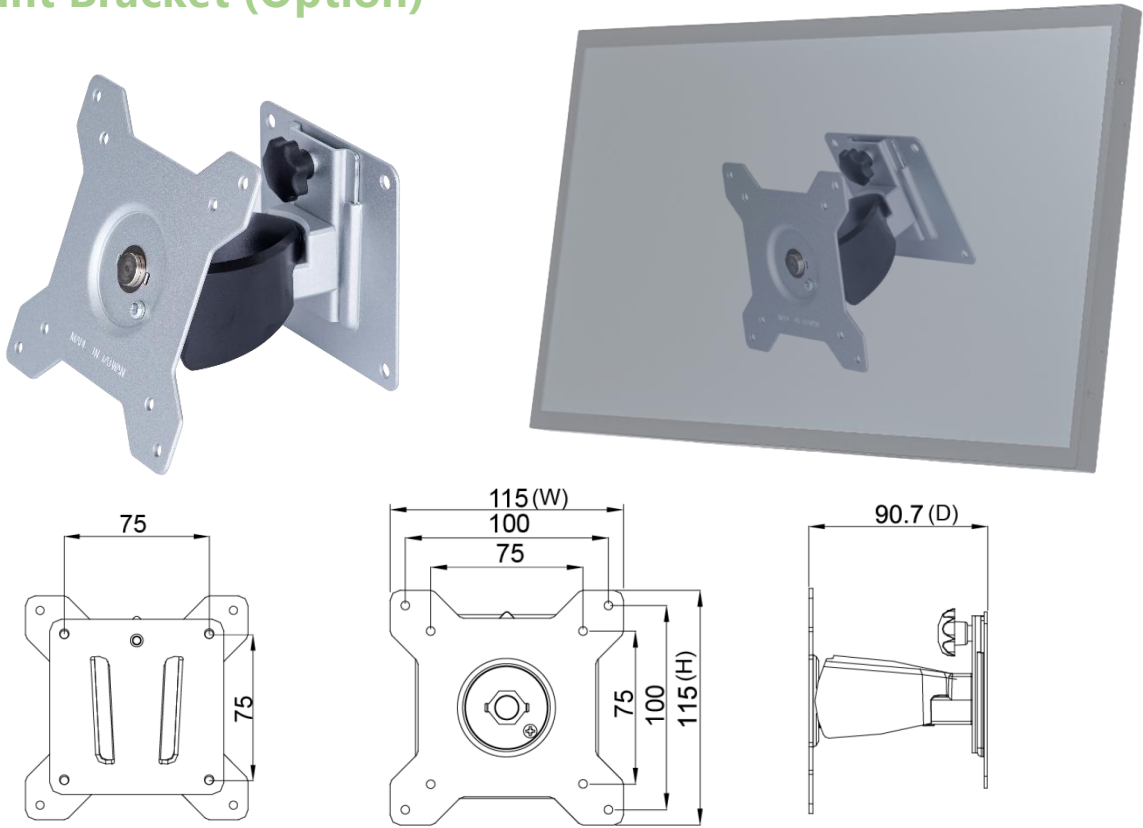


Step 2: Insert the screen from the front into the pre-cut opening.

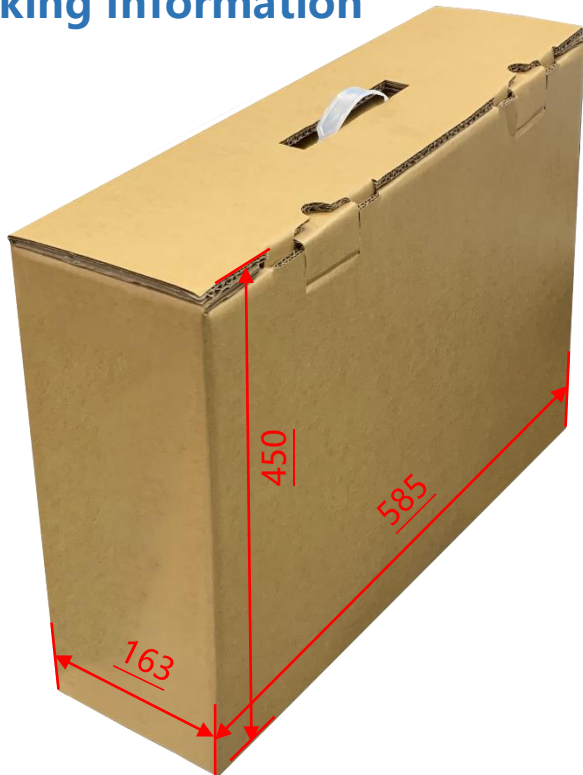


Step 3: Attach the clips from the back and secure with screws. (Up to 10 clips can be installed as needed or per positional limitations.)

Wall Mount Bracket (Option)



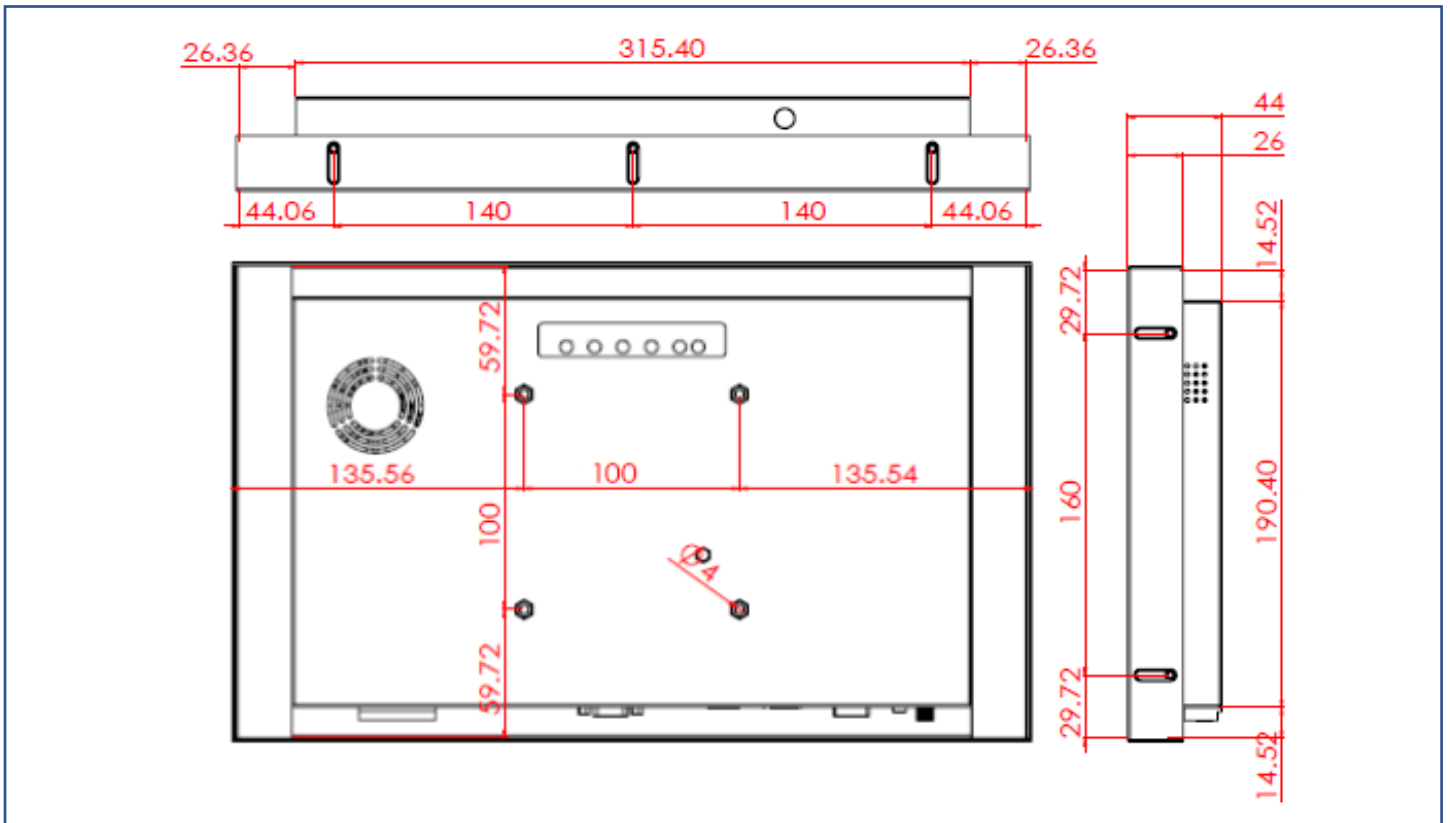
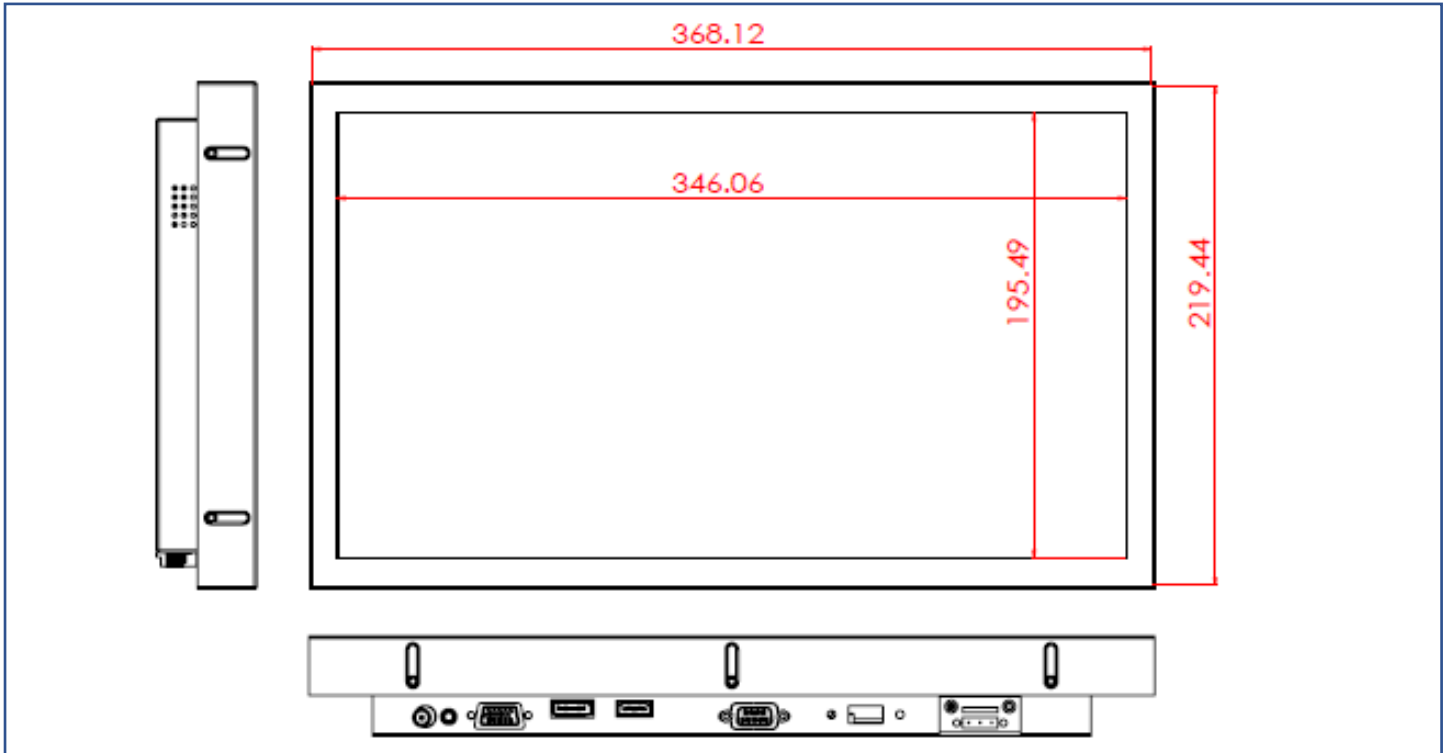
Packing Information



Unit Carton Size	585x163x450 mm
Unit N. Weight	≤3.2 KG
Unit G. Weight	≤5.0 KG
Units per Pallet	36 units
Pallet Size	120x100x147 CM

Physical Specifications

Dimension (Max)	368x219.5x44(±2)mm	Net Weight	3.2 KG
VESA Mounting	100x100 mm	Gross Weight	5.0 KG



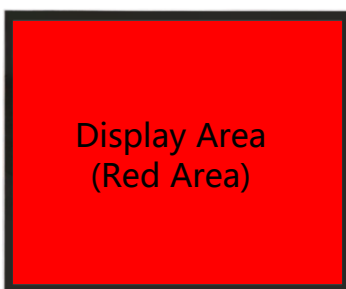
Cosmetic Inspection Standard

Display Area Allowance			
Defect description	Defective Specifications	Allowance	Remarks
Dot Defect (including dark dot, particles, bubbles, pits, dust, foreign matter)	$D \leq 0.2\text{mm}$	Ignored	D=Diameter
	$0.2 < D \leq 0.7\text{mm}$	$N \leq 5$	N=Quantity
	$0.7 < D \leq 1\text{mm}$	$N \leq 3$	
	$D > 1\text{mm}$	$N \leq 0$	
Linear Defect (including scratches, fluff, particles)	$W \leq 0.15\text{mm}$	Ignored	W=Width
	$0.15 < W \leq 0.5\text{mm}, L \leq 15\text{mm}$	$N \leq 2$	L=Length
	$W > 0.5\text{mm}$ or $L > 15\text{mm}$	NG	

* Visual inspection distance: 60cm, 90 degree (same for front/side/back)

Front Appearance Allowance (Including Coating)			
Defect description	Defective Specifications	Allowance	Remarks
Dot Defect (including particles, bubbles, pits...etc.)	$D \leq 0.7\text{mm}$	Ignored	D=Diameter
	$0.7 < D \leq 1.5\text{mm}$	$N \leq 3$	N=Quantity
	$D > 1.5\text{mm}$	$N \leq 0$	
Linear Defect (including scratches, fluff, particles)	$W \leq 0.2\text{mm}, L \leq 15\text{mm}$	Ignored	W=Width, L=Length
	$0.2 < W \leq 0.7\text{mm}, L \leq 15\text{mm}$	$N \leq 1$	
	$W > 0.7\text{mm}$ or $L > 15\text{mm}$	NG	

Side / Back Appearance Allowance (Including Coating)			
Defect description	Defective Specifications	Allowance	Remarks
Dot Defect (including particles, bubbles, pits...etc.)	$D \leq 1.5\text{mm}$	Ignored	D=Diameter
	$1.5 < D \leq 3\text{mm}$	$N \leq 8$	N=Quantity
	$D > 3\text{mm}$	$N \leq 2$	
Linear Defect (including scratches, fluff, particles)	$W \leq 0.8\text{mm}, L \leq 15\text{mm}$	Ignored	W=Width, L=Length
	$0.8 < W \leq 1.5\text{mm}, L \leq 15\text{mm}$	$N \leq 5$	
	$W > 1.5\text{mm}$ or $L > 15\text{mm}$	NG	



Display Area
(Red Area)



Front Appearance (Red Area)



Back Appearance