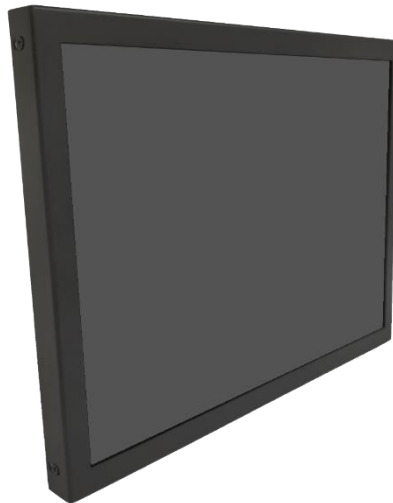


# Product Specifications

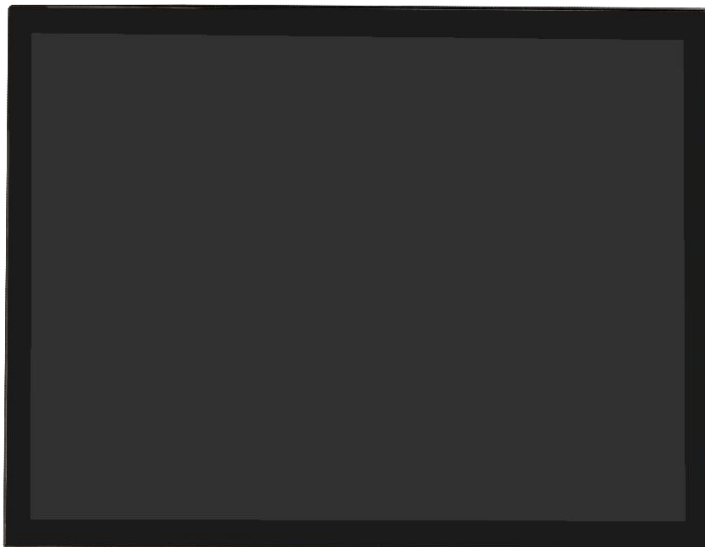
<b>Customer</b>	
<b>Model</b>	<b>NTSM121-3 V500</b>



Records of Revision			
Vision	Modifying	Old Description	New Description
v2406.1	Preliminary specifications		

## Features

- ★ 12.1 inch Industrial Grade Panel, 1024x768 Resolution
- ★ IAV Wide Viewing Angle Technology , 178°/178°
- ★ 1000nits high brightness
- ★ Wide Operating Temperature Range -30~75°C
- ★ Metal Cabinet with Diverse Combine Options
- ★ Made in Taiwan, 3 Years Warranty, Designed for Harsh Environments
- ★ Resistive Touch Options, Supports NEXTECH Dedicated Stylus
- ★ Optional Video Input (VGA/DVI/HDMI/DP)
- ★ Optional Software Remote Control by RS232 or DDC/CI
- ★ Optional Auto Dimming Function (with Light Sensor)
- ★ Optional AG Coating/Antibacterial/Privacy Filter Surface Treatment



Desktop Stand



Wall Mounting



Open-frame Brackets



Panel Mount

## Display Specifications

Model Name	<b>NTSM121HX3XX-XXXXX0-500*</b>	Display Mode	<b>IAV Mode, Normally Black</b>
Screen Diagonal	<b>12.1 inch</b>	Response Time	<b>25 msec.</b>
Display Area	<b>245.76x184.32 mm</b>	Backlight Unit	<b>LED (white LED)</b>
Resolution	<b>1024x768 (XGA)</b>	Viewing Angle (L/R, U/D)	<b>178°/178° (CR<sub>≥</sub>10)</b>
Contrast Ratio	<b>1000:1</b>	Backlight Lifetime	<b>&gt;50,000 Hours</b>
Display Ratio	<b>4:3</b>	Operating Temp.	<b>-30~75°C</b>
Support Colors	<b>1.67M Colors</b>	Storage Temp.	<b>-40~80°C</b>
Pixel Pitch	<b>0.240x0.240 mm</b>	Brightness	<b>1000nits</b>

\* X = A~Z, 0~9 (Depends on options)

## Accessories

Item	Description	Quantity
HDMI Cable	<b>Male to Male, 1.8 Meter</b>	<b>1</b>
AC-DC Adapter	<b>12V with CE/FCC/CCC/UL/RoHS/PSE/JET Certification</b>	<b>1</b>
Power Cord	<b>*Country Specific</b>	<b>1</b>
USB Cable	<b>A type, Male to Male, 1.8 Meter *(only for touch monitor)</b>	<b>1</b>

## Touch Options

Resistive Touch			
Model Name	NTSM121H <u>5</u> 3XX-XXXXB0-500		
Touch Technology	Resistive Touch	Transparency	80%±5%
Allowed Touch Points	1 point	Surface Treatment	Anti-glare<15%
Interface	USB/RS232	Hardness	≥3H
Precision	98.50%		

Non-Touch	
Model Name	NTSM121H <u>0</u> 3XX-XXXX00-500

Passive Stylus Pen (Option)	
Technology	Passive High Sensitive Knitted Wire Mesh Fiber Tip
Size of tip	6mm
Magnetic Attachment	Yes



## Supported OS

Windows	Win7, Win8, Win10, Win11 ↑
Linux	Kernel 2.6.24 ↑
Android	3.0 ↑
Mac	10.5.x ↑ (Intel CPU)

## General Options

Video Input		
	Description	Model Name
<b>Standard</b>	<b>VGA+HDMI+DP</b>	<b>NTSM121HX3<u>32</u>-<u>XXXXX</u>0-500</b>
Option	VGA+DVI	NTSM121HX3 <u>11</u> - <u>XXXXX</u> 0-500



VGA+HDMI+DP



VGA+DVI

Power Input		
	Description	Model Name
<b>Standard</b>	<b>12V, Lockable DC Jack <math>\Phi</math>2.1mm</b>	<b>NTSM121HX3<u>32</u>-<u>XXXXX</u>0-500</b>
Option	12VDC, DC Jack $\Phi$ 2.1mm	NTSM121HX3 <u>11</u> - <u>XXXXX</u> 0-500



Lockable Power Jack

Surface Film		
	Description	Model Name
<b>Standard</b>	<b>(none)</b>	<b>NTSM121HX3XX-<u>00</u>XXXX0-500</b>
Option 1	Anti-Glare Coating	NTSM121HX3XX- <u>GG</u> XXXX0-500
Option 2	Antibacterial (AB Film)	NTSM121HX3XX- <u>AB</u> XXXX0-500
Option 3	Anti-Spy (AS Film)	NTSM121HX3XX- <u>SF</u> XXXX0-500

## General Options (Continued)

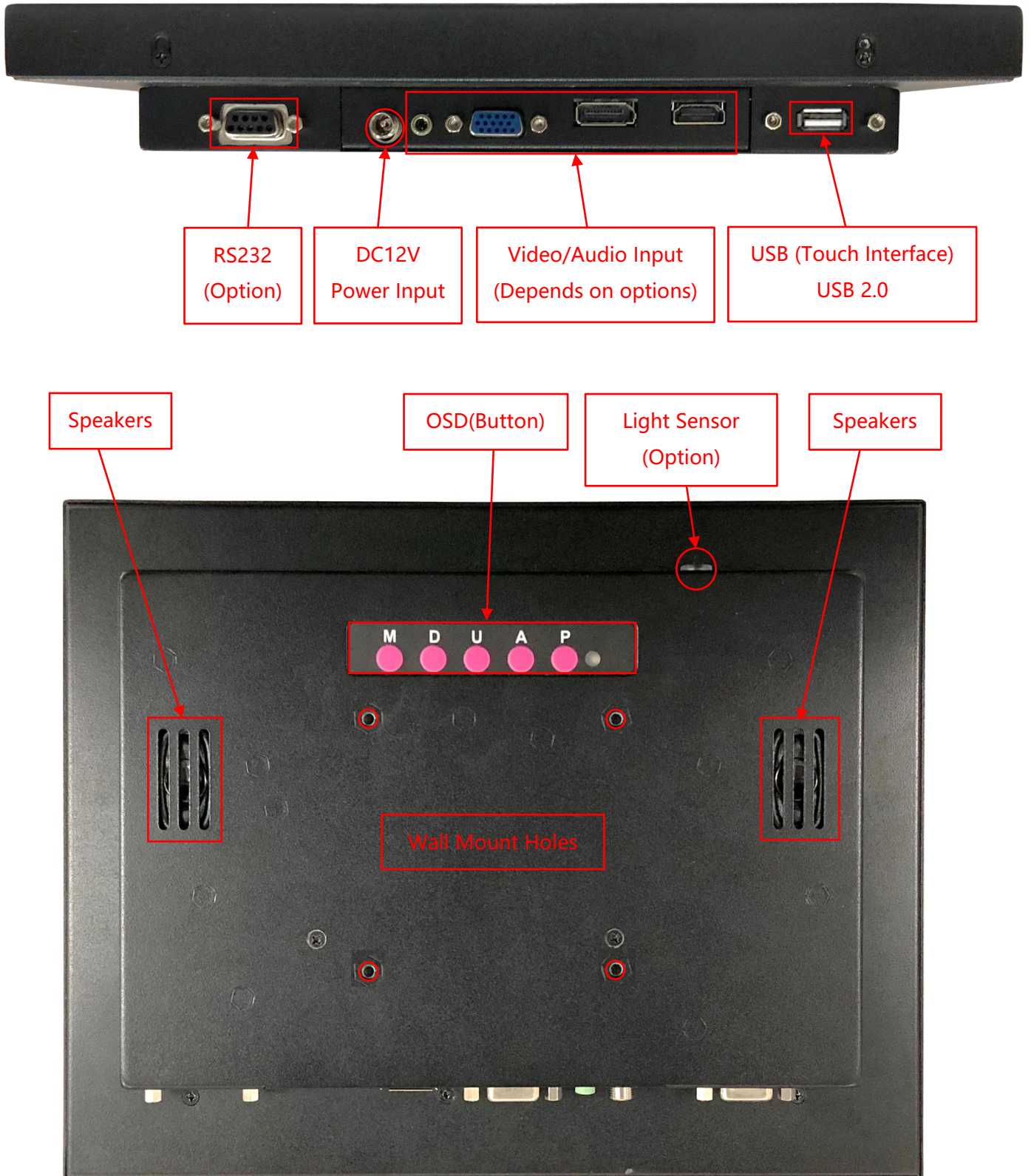
Color of Cabinet		
	Description	Model Name
<b>Standard</b>	<b>Black</b>	<b>NTSM121HX3XX-XXBXX0-500</b>
Option 1	White	NTSM121HX3XX-XXWXX0-500
Option 2	Silver	NTSM121HX3XX-XXSXX0-500
Options	Other Colors	NTSM121HX3XX-XXXXX0-500

\* X = A~Z, 0~9 (Depends on Color)

Material of Cabinet		
	Description	Model Name
<b>Standard</b>	<b>SECC</b>	<b>NTSM121HX3XX-XXXSX0-500</b>
Option 1	Stainless Steel	NTSM121HX3XX-XXXLX0-500
Option 2	Aluminum	NTSM121HX3XX-XXXAX0-500

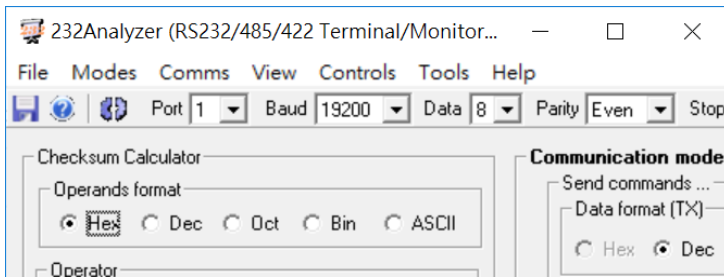
Touch Interface		
	Description	Model Name
<b>Standard</b>	<b>USB+RS232</b>	<b>NTSM121H53XX-XXXXB0-500</b>
Option 1	Non-Touch	NTSM121H03XX-XXXX00-500

## Input /Output System



## Other Options

OSD Control		
	Item	Description
<b>Standard</b>	<b>Button</b>	<b>Rear Physical Button</b>
Option 1	Software Remote Control	Software Remote Control by RS232/Serial Port
Option 2	Auto Dimming	Auto Brightness Adjusting by Light Sensor



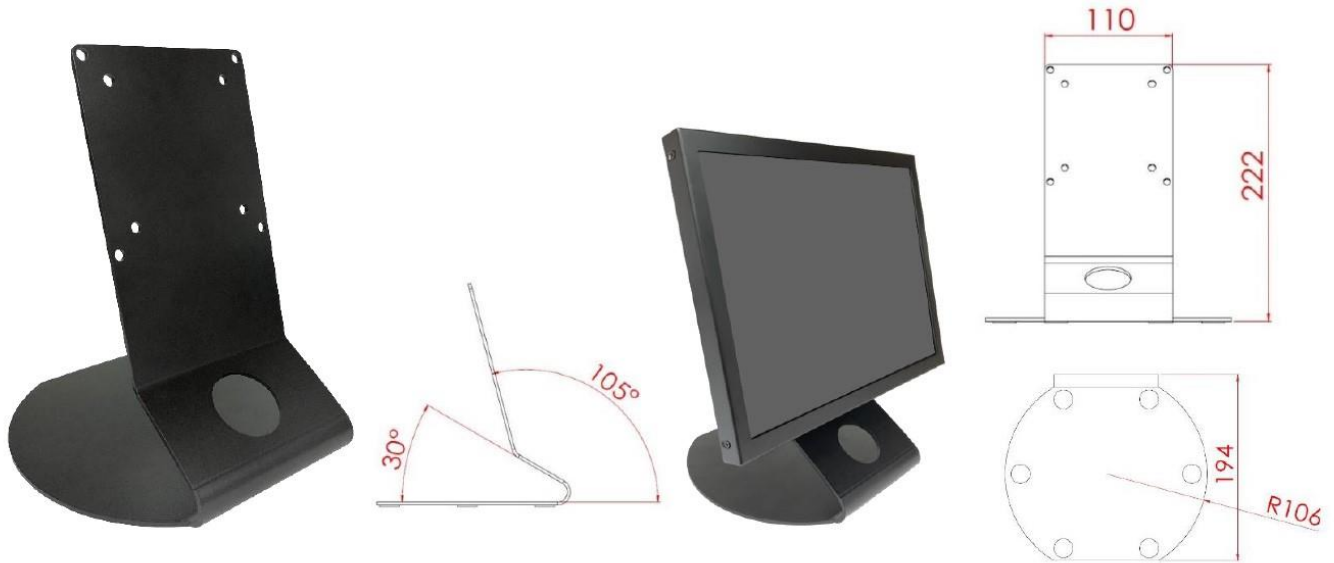
\* Software Remote Control





**Desktop Stand (Option)**

Item	L Stand	Part No.	DST-0B004/DST-1B004
Mounting Pattern	100x100 / 75x75 mm	Dimension (WxHxD)	194x194x222 mm
Material	SECC	Net Weight	1.4 KG
Tilt (Hinge)	105°	Support Max. Weight	15 KG

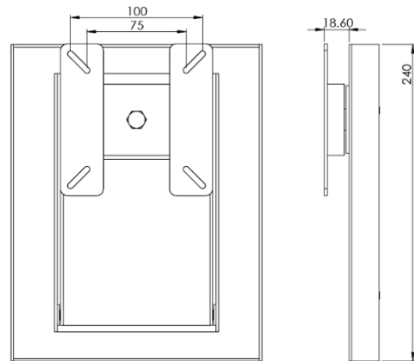


Item	B Stand	Part No.	DST-0B002/DST-1B002
Mounting Pattern	100x100 / 75x75 mm	Dimension (WxHxD)	203x275x227 mm
Material	Steel/Plastic/Aluminum	Net Weight	1.8 KG
Tilt (Hinge)	-2° ~ +180°	Support Max. Weight	15 KG

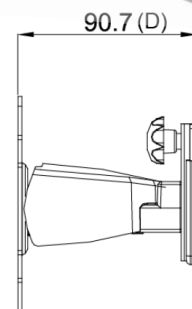
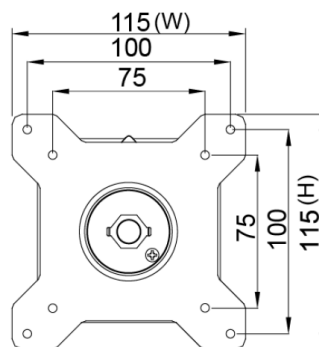
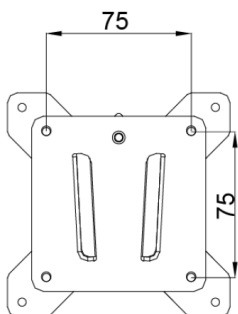
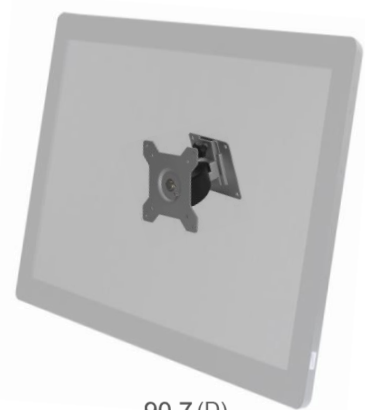


### Desktop Stand (Option)

Item	Z Stand	Part No.	DST-0BZ01/DST-1BZ01
Mounting Pattern	100x100 / 75x75 mm	Dimension (WxHxD)	190x240x41.6
Material	SECC	Net Weight	2.6 KG
Tilt (Hinge)	±360°	Support Max. Weight	15 KG



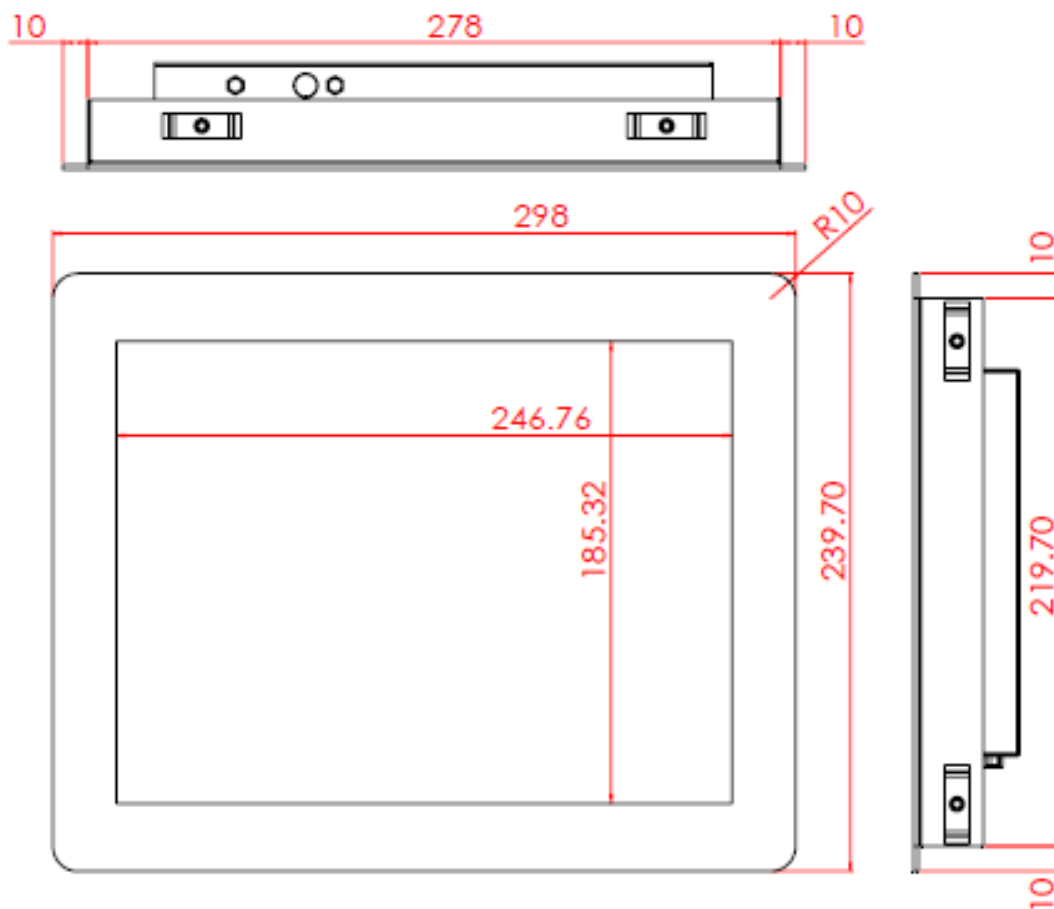
### Wall Mount Bracket (Option)

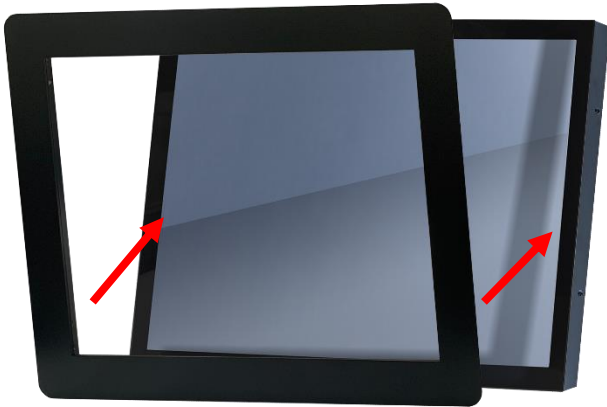


### Panel Mount Kits (Option)

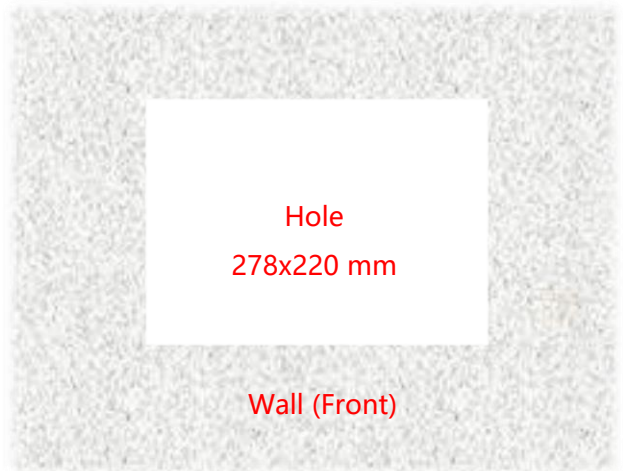


### Dimension for Installing with Panel Mount Kits





Step 1: Assemble the front module with the screen body. (This step is pre-assembled at the factory.)

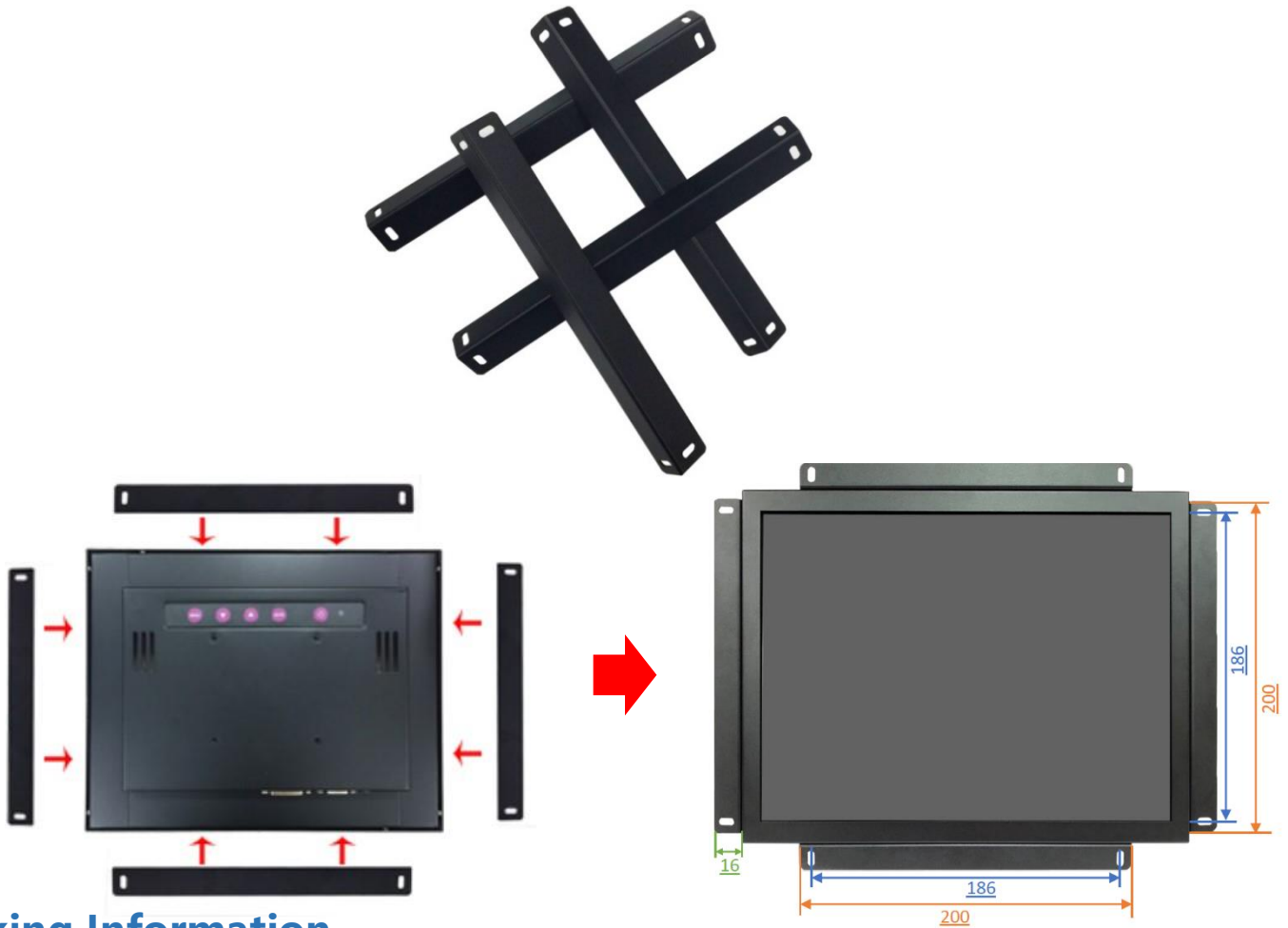


Step 2: Insert the screen from the front into the pre-cut opening.

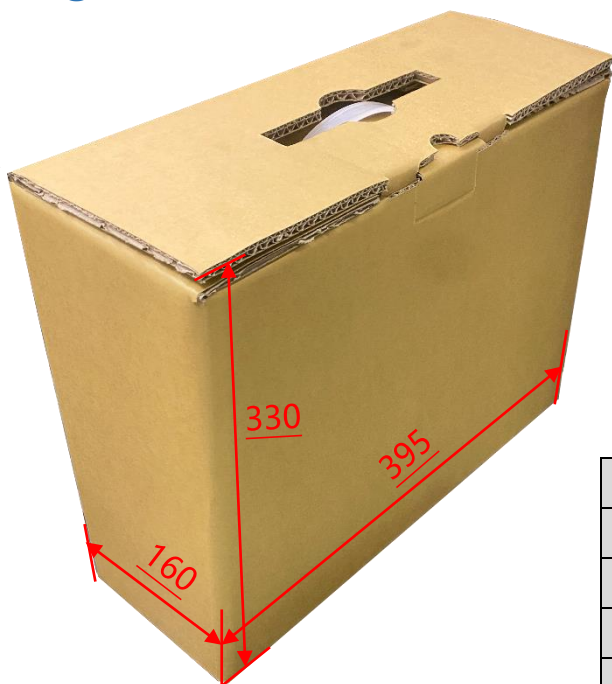


Step 3: Attach the clips from the back and secure with screws. (Up to 8 clips can be installed as needed or per positional limitations.)

**Open-frame Brackets (Option)**



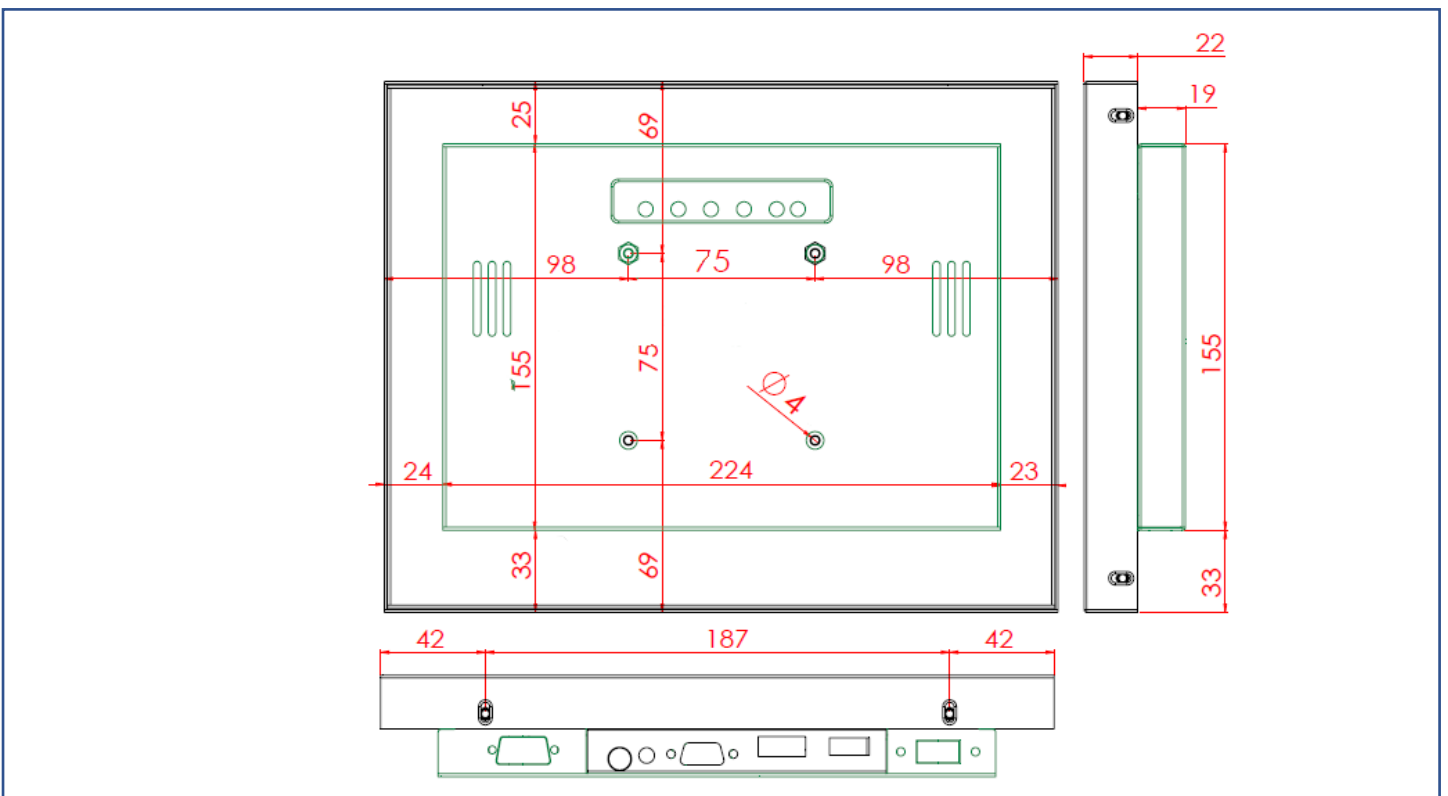
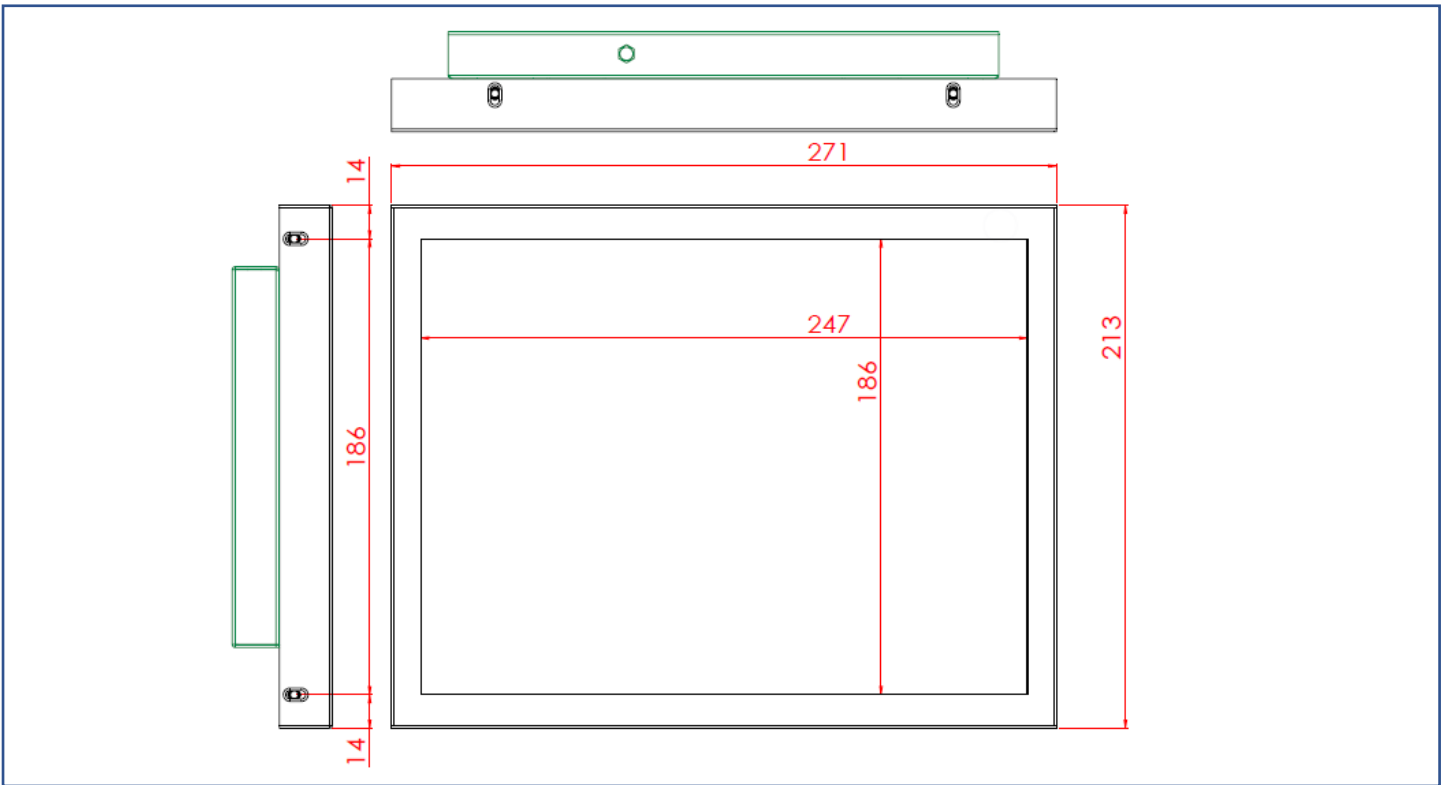
**Packing Information**



Unit Carton Size	<b>395x160x330 mm</b>
Unit N. Weight	<b>≤1.9 KG</b>
Unit G. Weight	<b>≤3.0 KG</b>
Units per Pallet	<b>72 units</b>
Pallet Size	<b>120x100x142 CM</b>

## Physical Specifications

Dimension (Max)	<b>271x213x41(±2)mm</b>	Net Weight	<b>≤1.9 KG</b>
VESA Mounting	<b>75x75 mm</b>	Gross Weight	<b>≤3.0 KG</b>



## Cosmetic Inspection Standard

Display Area Allowance			
Defect description	Defective Specifications	Allowance	Remarks
Dot Defect (including dark dot, particles, bubbles, pits, dust, foreign matter)	$D \leq 0.2\text{mm}$	Ignored	D=Diameter
	$0.2 < D \leq 0.7\text{mm}$	$N \leq 5$	N=Quantity
	$0.7 < D \leq 1\text{mm}$	$N \leq 3$	
	$D > 1\text{mm}$	$N \leq 0$	
Linear Defect (including scratches, fluff, particles)	$W \leq 0.15\text{mm}$	Ignored	W=Width
	$0.15 < W \leq 0.5\text{mm}, L \leq 15\text{mm}$	$N \leq 2$	L=Length
	$W > 0.5\text{mm}$ or $L > 15\text{mm}$	NG	

\* Visual inspection distance: 60cm, 90 degree (same for front/side/back)

Front Appearance Allowance (Including Coating)			
Defect description	Defective Specifications	Allowance	Remarks
Dot Defect (including particles, bubbles, pits...etc.)	$D \leq 0.7\text{mm}$	Ignored	D=Diameter
	$0.7 < D \leq 1.5\text{mm}$	$N \leq 3$	N=Quantity
	$D > 1.5\text{mm}$	$N \leq 0$	
Linear Defect (including scratches, fluff, particles)	$W \leq 0.2\text{mm}, L \leq 15\text{mm}$	Ignored	W=Width, L=Length
	$0.2 < W \leq 0.7\text{mm}, L \leq 15\text{mm}$	$N \leq 1$	
	$W > 0.7\text{mm}$ or $L > 15\text{mm}$	NG	

Side / Back Appearance Allowance (Including Coating)			
Defect description	Defective Specifications	Allowance	Remarks
Dot Defect (including particles, bubbles, pits...etc.)	$D \leq 1.5\text{mm}$	Ignored	D=Diameter
	$1.5 < D \leq 3\text{mm}$	$N \leq 8$	N=Quantity
	$D > 3\text{mm}$	$N \leq 2$	
Linear Defect (including scratches, fluff, particles)	$W \leq 0.8\text{mm}, L \leq 15\text{mm}$	Ignored	W=Width, L=Length
	$0.8 < W \leq 1.5\text{mm}, L \leq 15\text{mm}$	$N \leq 5$	
	$W > 1.5\text{mm}$ or $L > 15\text{mm}$	NG	



Display Area  
(Red Area)



Front Appearance (Red Area)



Back Appearance