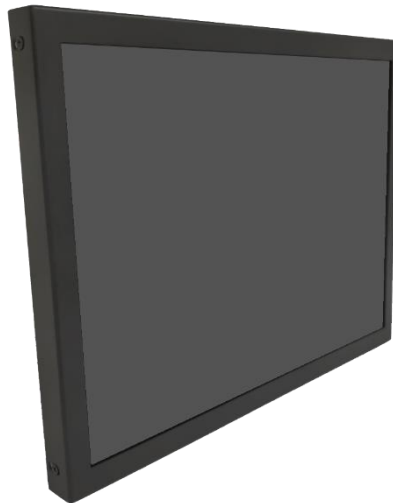


Product Specifications

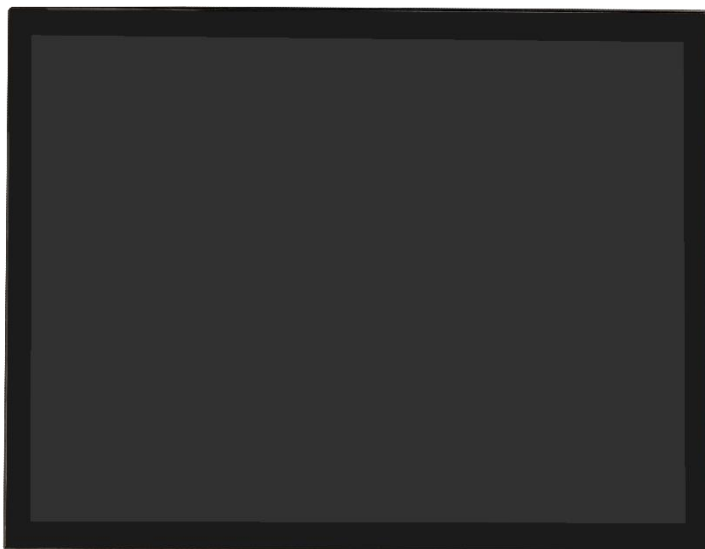
Customer	
Model	NTSM121-2 V500



Records of Revision			
Vision	Modifying	Old Description	New Description
v2101.1	Preliminary Specifications		
v2101.2	Add the Panel Mount Kits Option		
v2101.3	Updating packaging methods		
v2101.4	New trademark released		

Features

- ★ 12.1 inch Industrial Grade Panel, 1024x768 Resolution
- ★ IAV Wide Viewing Angle Technology , 178°/178°
- ★ Wide Operating Temperature Range -30~85°C
- ★ Metal Cabinet with Diverse Combine Options
- ★ Made in Taiwan, 3 Years Warranty, Designed for Harsh Environments
- ★ Resistive/Capacitive Touch Options, Supports NEXTECH Dedicated Stylus
- ★ Optional Video Input (VGA/DVI/HDMI/DP)
- ★ Optional Software Remote Control by RS232 or DDC/CI
- ★ Optional High Brightness 1500nits, for Outdoor Environment
- ★ Optional Auto Dimming Function (with Light Sensor)
- ★ Optional AG Coating/Antibacterial/Privacy Filter Surface Treatment



Desktop Stand



Wall Mounting



Open-frame Brackets



Panel Mount

Display Specifications

Model Name	NTSM121 <u>XX2XX-XXXXX</u> 0-500*	Display Mode	IAV Mode, Normally Black
Screen Diagonal	12.1 inch	Response Time	25 msec.
Display Area	245.76x184.32 mm	Backlight Unit	LED (white LED)
Resolution	1024x768 (XGA)	Viewing Angle (L/R, U/D)	178°/178° (CR _≥ 10)
Contrast Ratio	1000:1	Backlight Lifetime	>50,000 Hours
Display Ratio	4:3	Operating Temp.	-30~85°C
Support Colors	1.67M Colors	Storage Temp.	-40~90°C
Pixel Pitch	0.240x0.240 mm		

* X = A~Z, 0~9 (Depends on options)

Display Options

Brightness			
	Brightness	Environment	Model Name
Standard	600nits	General (Indoor)	NTSM121<u>NX2XX-XXXXX</u>0-500
Option 1	1000nits	Outdoor Environment	NTSM121 <u>AX2XX-XXXXX</u> 0-500
Option 2	1500nits	Sunlight Readable	NTSM121 <u>FX2XX-XXXXX</u> 0-500

Accessories

Item	Description	Quantity
HDMI Cable	Male to Male, 1.8 Meter	1
AC-DC Adapter	12V with CE/FCC/CCC/UL/RoHS/PSE/JET Certification	1
Power Cord	*Country Specific	1
USB Cable	A type, Male to Male, 1.8 Meter *(only for touch monitor)	1

Touch Options

Resistive Touch			
Model Name	NTSM121X52XX-XXXXB0-500		
Touch Technology	Resistive Touch	Transparency	80%±5%
Allowed Touch Points	1 point	Surface Treatment	Anti-glare<15%
Interface	USB/RS232	Hardness	≥3H
Precision	98.50%		

Projected Capacitive Touch			
Model Name	NTSM121XP2XX-XXXXX0-500		
Touch Technology	Projected Capacitive	Transparency	≥87%
Allowed Touch Points	10 points	Accuracy	99.00%
Interface	USB/RS232 (Option)	Thickness of Cover Lens	1.8±0.2mm
IK Ratings	IK07	Hardness of Cover Lens	7H

Non-Touch	
Model Name	NTSM121X02XX-XXXX00-500

Supported OS

Windows	Win7, Win8, Win10, Win11 ↑
Linux	Kernel 2.6.24 ↑
Android	3.0 ↑
Mac	10.5.x ↑ (Intel CPU)

General Options

Video Input		
	Description	Model Name
Standard	VGA+HDMI+DP	NTSM121XX2<u>32</u>-XXXXX0-500
Option	VGA+DVI	NTSM121XX2 <u>11</u> -XXXXX0-500



VGA+HDMI+DP



VGA+DVI

Power Input		
	Description	Model Name
Standard	12V, Lockable DC Jack Φ2.1mm	NTSM121XX2<u>32</u>-XXXXX0-500
Option	12VDC, DC Jack Φ 2.1mm	NTSM121XX2 <u>11</u> -XXXXX0-500



Lockable Power Jack

Surface Film		
	Description	Model Name
Standard	(none)	NTSM121XX2XX-<u>00</u>XXX0-500
Option 1	Anti-Glare Coating	NTSM121XX2XX- <u>GG</u> XXX0-500
Option 2	Antibacterial (AB Film)	NTSM121XX2XX- <u>AB</u> XXX0-500
Option 3	Anti-Spy (AS Film)	NTSM121XX2XX- <u>SF</u> XXX0-500

General Options (Continued)

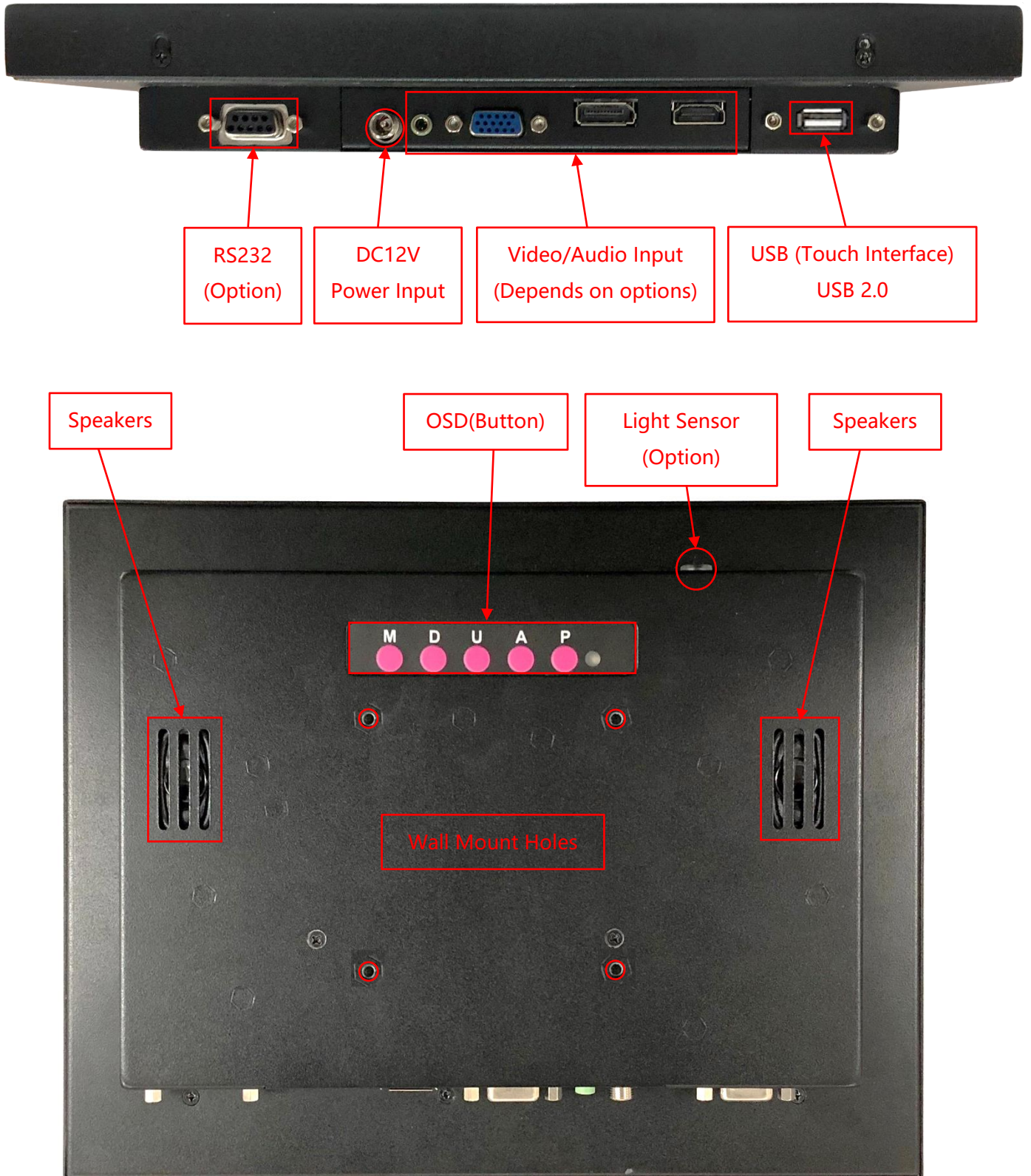
Color of Cabinet		
	Description	Model Name
Standard	Black	NTSM121XX2XX-XXBXX0-500
Option 1	White	NTSM121XX2XX-XXWXX0-500
Option 2	Silver	NTSM121XX2XX-XXSXX0-500
Options	Other Colors	NTSM121XX2XX-XXXXX0-500

* X = A~Z, 0~9 (Depends on Color)

Material of Cabinet		
	Description	Model Name
Standard	SECC	NTSM121XX2XX-XXXSX0-500
Option 1	Stainless Steel	NTSM121XX2XX-XXXLX0-500
Option 2	Aluminum	NTSM121XX2XX-XXXAX0-500

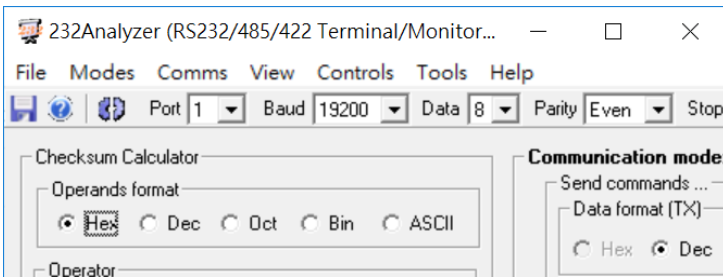
Touch Interface		
	Description	Model Name
Option 1	USB+RS232 (Resistive Touch)	NTSM121X52XX-XXXXB0-500
Option 2	USB (Projected Capacitive Touch)	NTSM121XP2XX-XXXXU0-500
Option 3	RS232 (Projected Capacitive Touch)	NTSM121XP2XX-XXXXR0-500
Option 4	Non-Touch	NTSM121X02XX-XXXXO0-500

Input /Output System



Other Options

OSD Control		
	Item	Description
Standard	Button	Rear Physical Button
Option 1	Software Remote Control	Software Remote Control by RS232/Serial Port
Option 2	Auto Dimming	Auto Brightness Adjusting by Light Sensor



* Software Remote Control

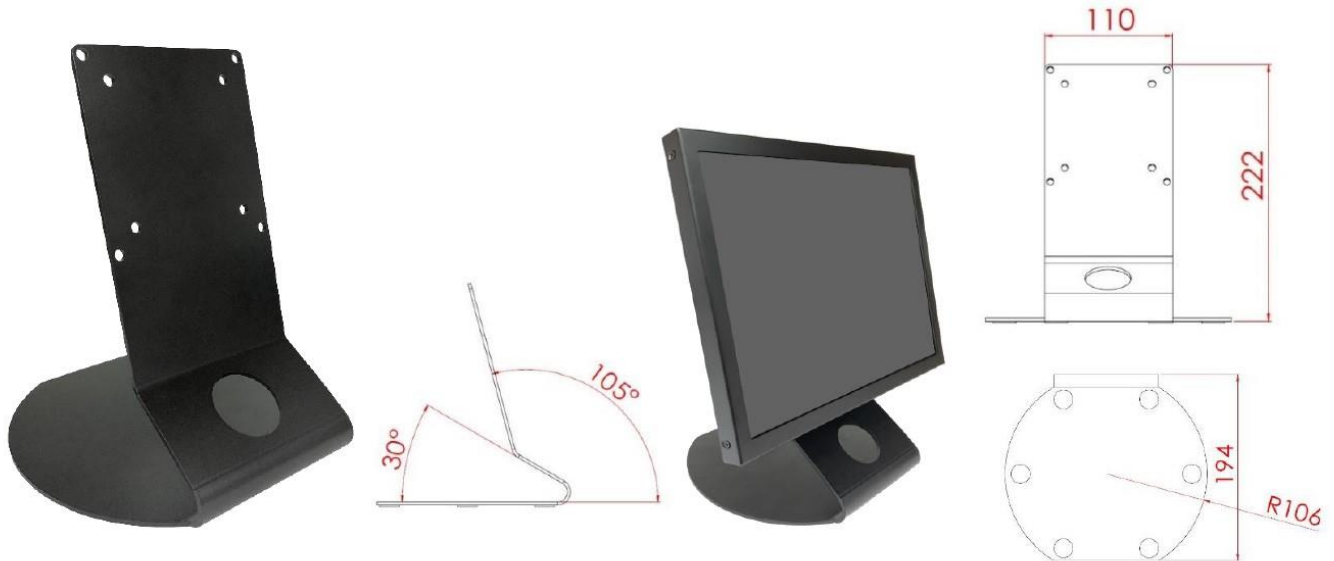


Passive Stylus Pen (Option)	
Technology	Passive High Sensitive Knitted Wire Mesh Fiber Tip
Size of tip	6mm
Magnetic Attachment	Yes



Desktop Stand (Option)

Item	L Stand	Part No.	DST-0B004/DST-1B004
Mounting Pattern	100x100 / 75x75 mm	Dimension (WxHxD)	194x194x222 mm
Material	SECC	Net Weight	1.4 KG
Tilt (Hinge)	105°	Support Max. Weight	15 KG

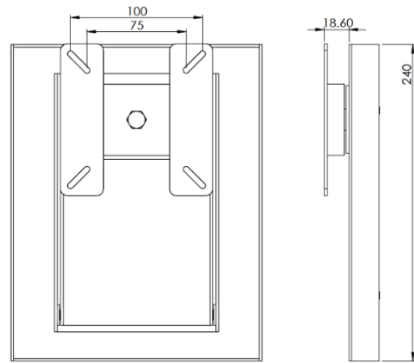


Item	B Stand	Part No.	DST-0B002/DST-1B002
Mounting Pattern	100x100 / 75x75 mm	Dimension (WxHxD)	203x275x227 mm
Material	Steel/Plastic/Aluminum	Net Weight	1.8 KG
Tilt (Hinge)	-2° ~ +180°	Support Max. Weight	15 KG

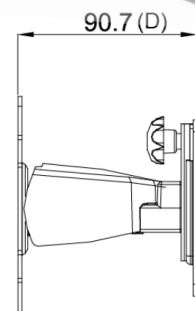
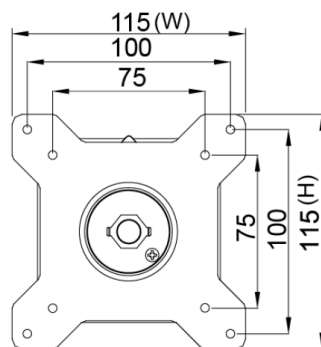
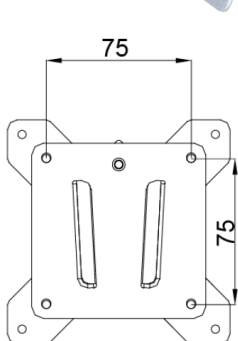
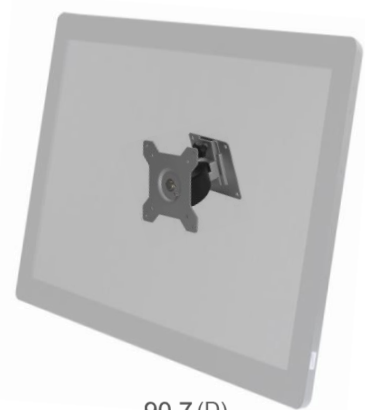


Desktop Stand (Option)

Item	Z Stand	Part No.	DST-0BZ01/DST-1BZ01
Mounting Pattern	100x100 / 75x75 mm	Dimension (WxHxD)	190x240x41.6
Material	SECC	Net Weight	2.6 KG
Tilt (Hinge)	±360°	Support Max. Weight	15 KG



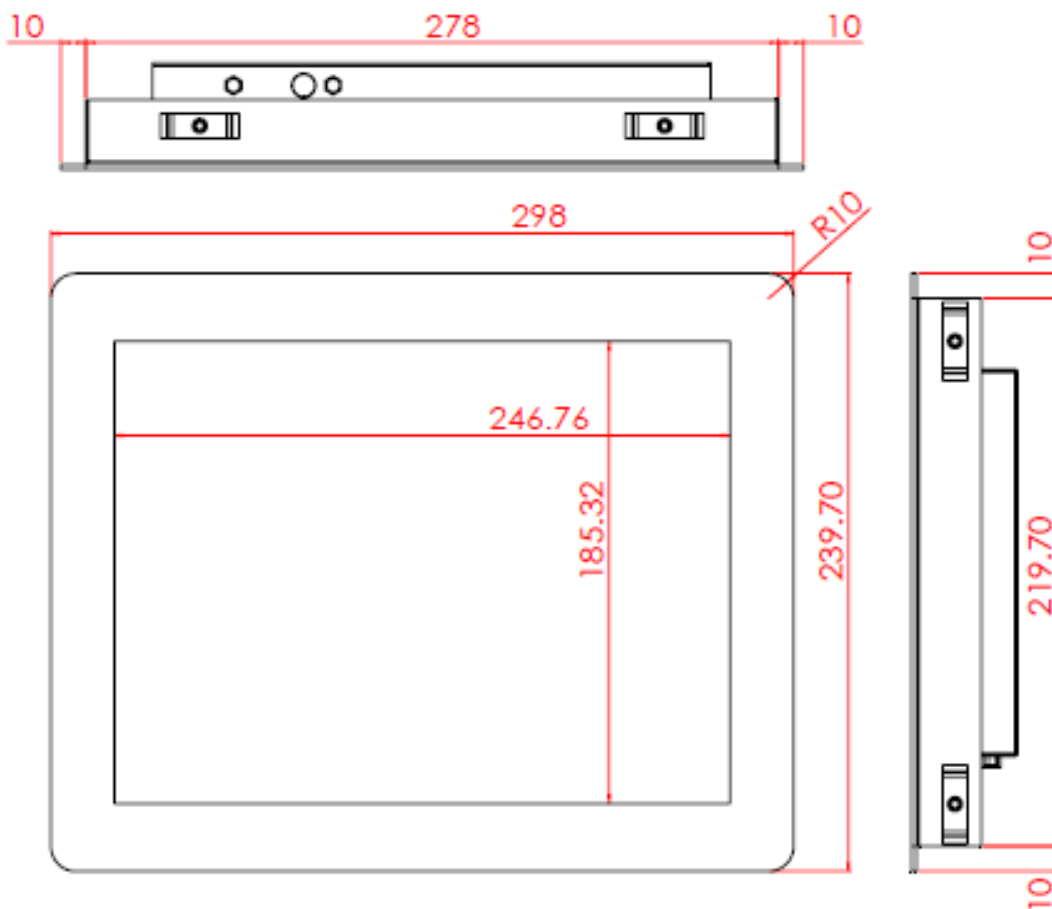
Wall Mount Bracket (Option)



Panel Mount Kits (Option)

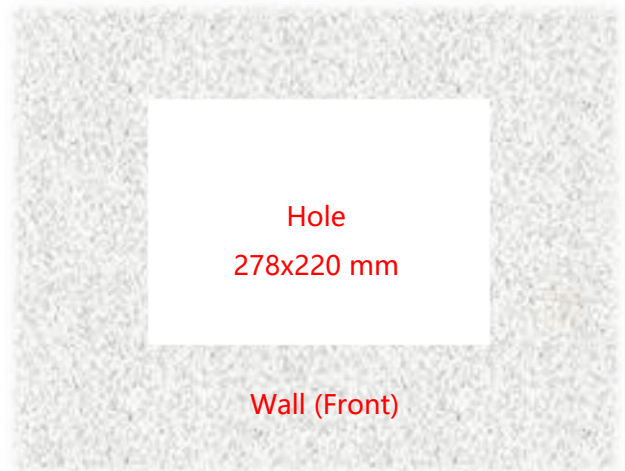


Dimension for Installing with Panel Mount Kits

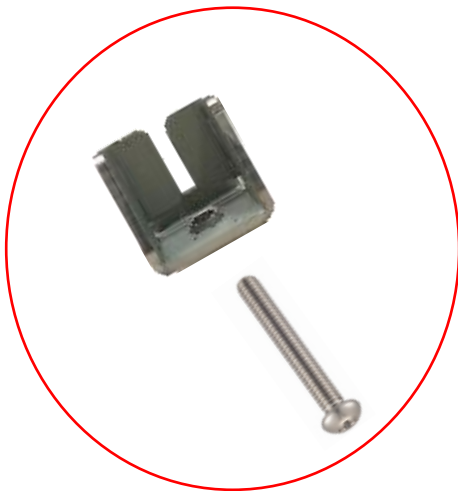




Step 1: Assemble the front module with the screen body. (This step is pre-assembled at the factory.)

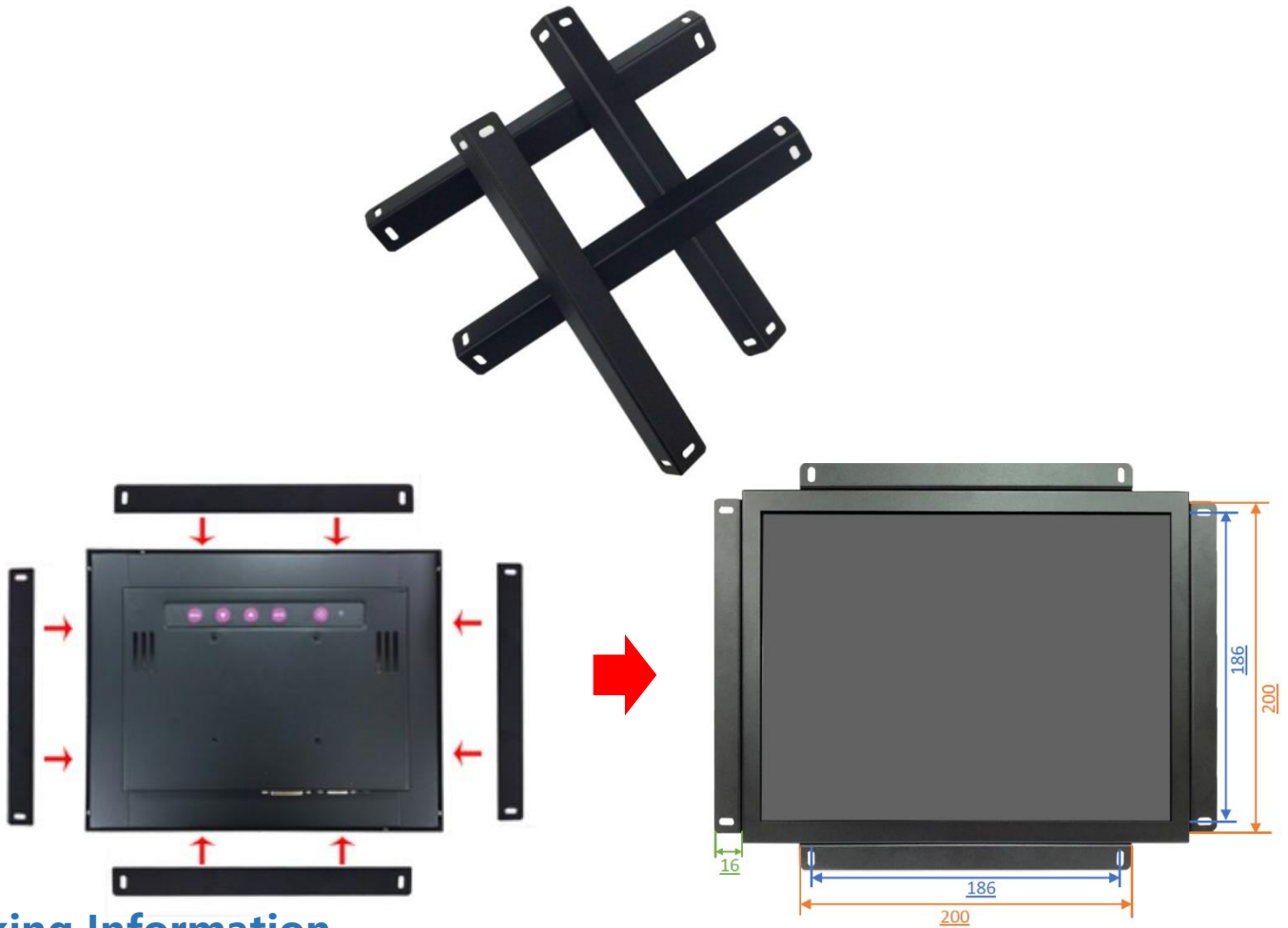


Step 2: Insert the screen from the front into the pre-cut opening.

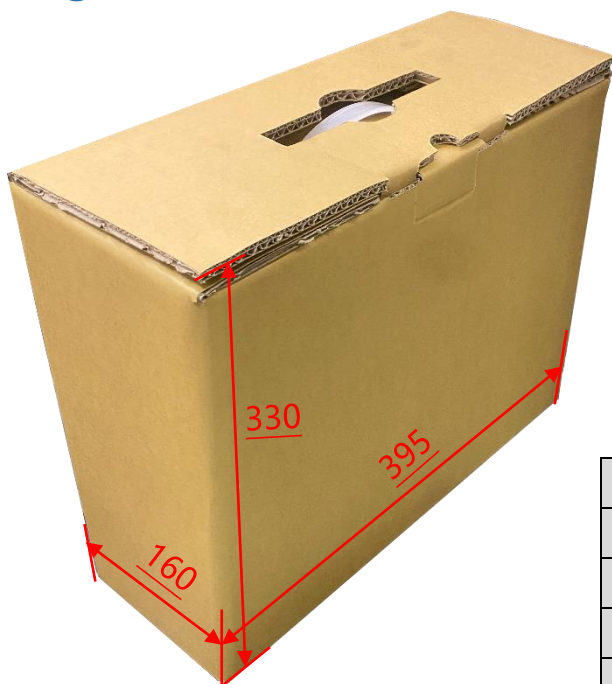


Step 3: Attach the clips from the back and secure with screws. (Up to 8 clips can be installed as needed or per positional limitations.)

Open-frame Brackets (Option)



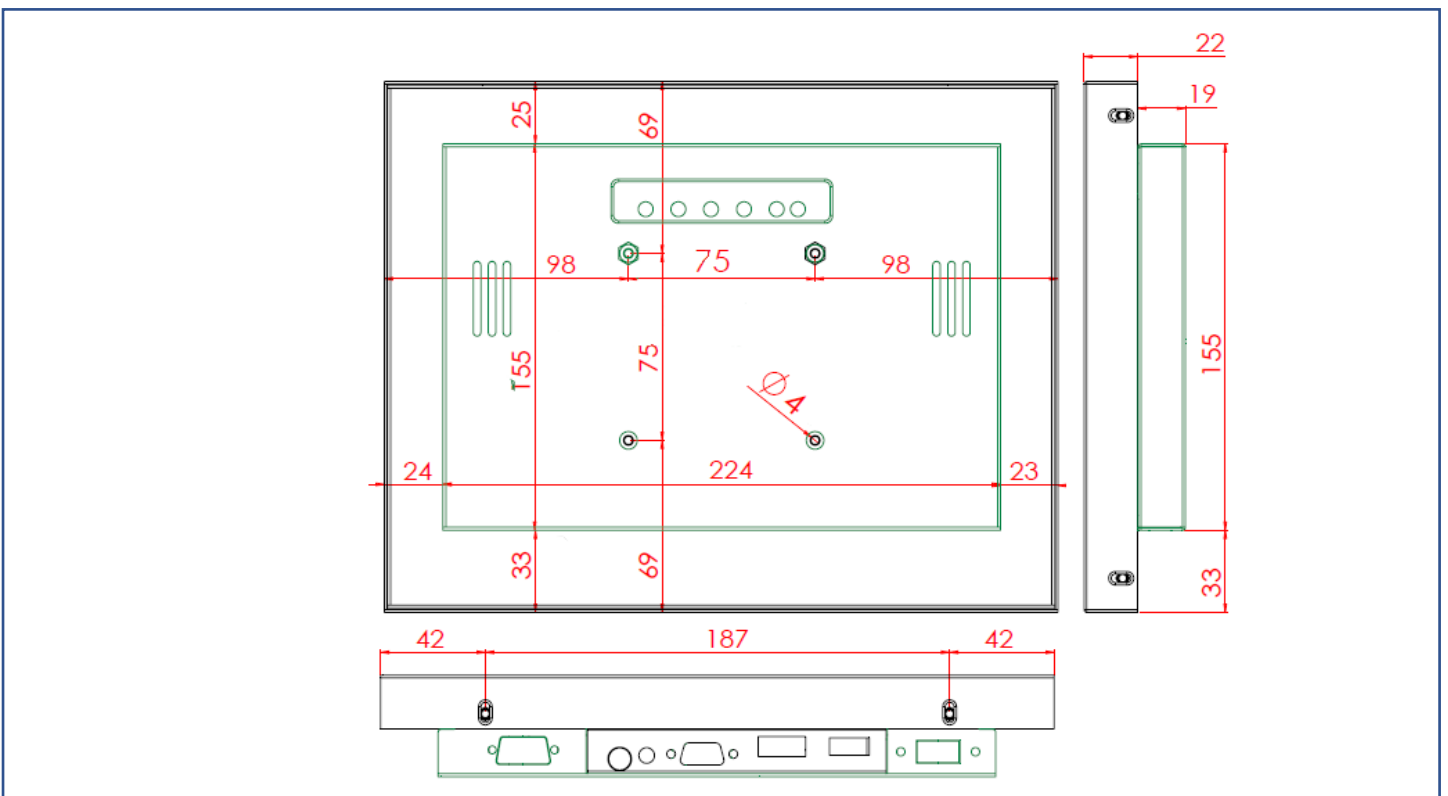
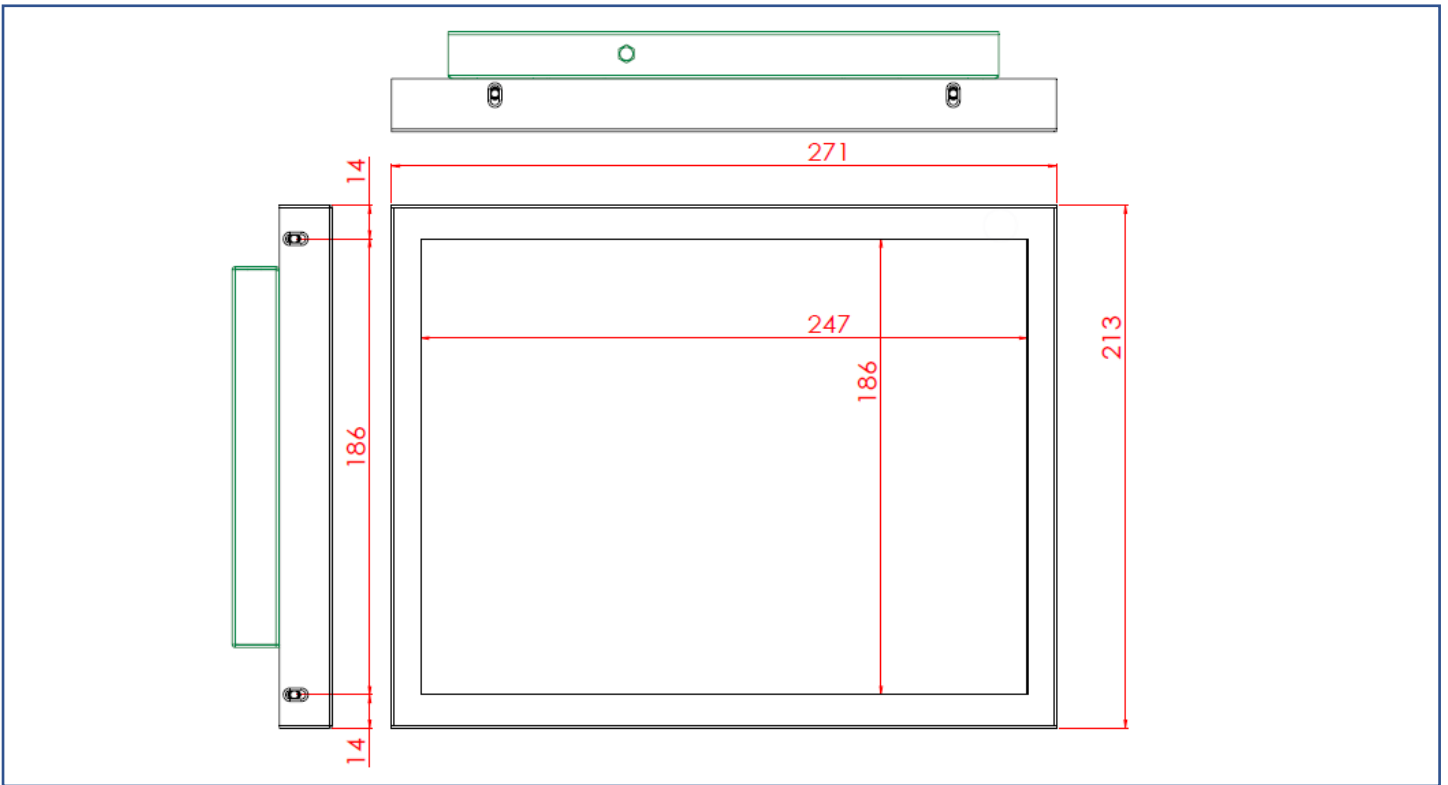
Packing Information



Unit Carton Size	395x160x330 mm
Unit N. Weight	≤1.9 KG
Unit G. Weight	≤3.0 KG
Units per Pallet	72 units
Pallet Size	120x100x142 CM

Physical Specifications

Dimension (Max)	271x213x41(±2)mm	Net Weight	≤1.9 KG
VESA Mounting	75x75 mm	Gross Weight	≤3.0 KG



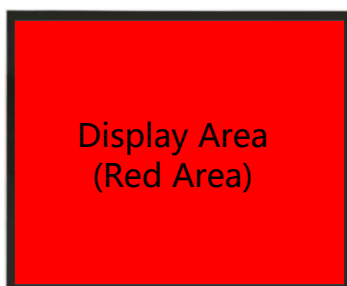
Cosmetic Inspection Standard

Display Area Allowance			
Defect description	Defective Specifications	Allowance	Remarks
Dot Defect (including dark dot, particles, bubbles, pits, dust, foreign matter)	$D \leq 0.2\text{mm}$	Ignored	D=Diameter
	$0.2 < D \leq 0.7\text{mm}$	$N \leq 5$	N=Quantity
	$0.7 < D \leq 1\text{mm}$	$N \leq 3$	
	$D > 1\text{mm}$	$N \leq 0$	
Linear Defect (including scratches, fluff, particles)	$W \leq 0.15\text{mm}$	Ignored	W=Width
	$0.15 < W \leq 0.5\text{mm}, L \leq 15\text{mm}$	$N \leq 2$	L=Length
	$W > 0.5\text{mm}$ or $L > 15\text{mm}$	NG	

* Visual inspection distance: 60cm, 90 degree (same for front/side/back)

Front Appearance Allowance (Including Coating)			
Defect description	Defective Specifications	Allowance	Remarks
Dot Defect (including particles, bubbles, pits...etc.)	$D \leq 0.7\text{mm}$	Ignored	D=Diameter
	$0.7 < D \leq 1.5\text{mm}$	$N \leq 3$	N=Quantity
	$D > 1.5\text{mm}$	$N \leq 0$	
Linear Defect (including scratches, fluff, particles)	$W \leq 0.2\text{mm}, L \leq 15\text{mm}$	Ignored	W=Width, L=Length
	$0.2 < W \leq 0.7\text{mm}, L \leq 15\text{mm}$	$N \leq 1$	
	$W > 0.7\text{mm}$ or $L > 15\text{mm}$	NG	

Side / Back Appearance Allowance (Including Coating)			
Defect description	Defective Specifications	Allowance	Remarks
Dot Defect (including particles, bubbles, pits...etc.)	$D \leq 1.5\text{mm}$	Ignored	D=Diameter
	$1.5 < D \leq 3\text{mm}$	$N \leq 8$	N=Quantity
	$D > 3\text{mm}$	$N \leq 2$	
Linear Defect (including scratches, fluff, particles)	$W \leq 0.8\text{mm}, L \leq 15\text{mm}$	Ignored	W=Width, L=Length
	$0.8 < W \leq 1.5\text{mm}, L \leq 15\text{mm}$	$N \leq 5$	
	$W > 1.5\text{mm}$ or $L > 15\text{mm}$	NG	



Display Area
(Red Area)



Front Appearance (Red Area)



Back Appearance