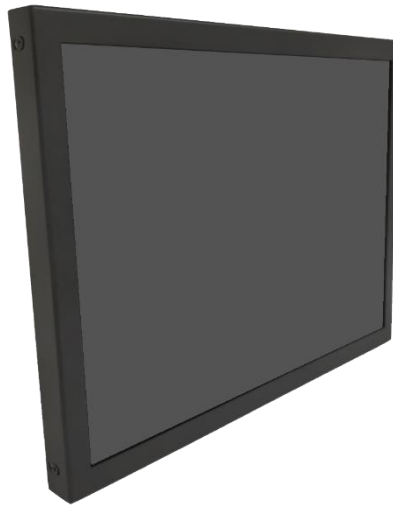


# Product Specifications

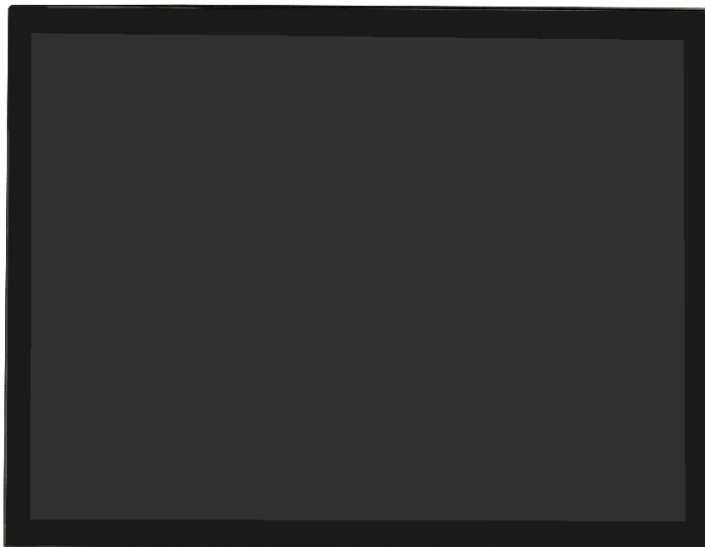
<b>Customer</b>	
<b>Model</b>	<b>NTSM121-1 V500</b>



Records of Revision			
Vision	Modifying	Old Description	New Description
v2005.1	Preliminary Specifications		
v2005.2	1. Modify the Default of Video Input 2. Define the Cosmetic Inspection	VGA+DVI	VGA+HDMI+DP
v2005.3	Revise Information of Dimensions		
v2005.4	Add the Panel Mount Kits Option		
<b>v2005.5</b>	<b>Updating packaging methods</b>		

### Features

- ★ 12.1 inch Industrial Grade Panel, 1024x768 Resolution
- ★ IAV Wide Viewing Angle Technology , 178°/178°
- ★ Wide Operating Temperature Range -30~70°C
- ★ Metal Cabinet with Diverse Combine Options
- ★ Made in Taiwan, 3 Years Warranty, Designed for Harsh Environments
- ★ Resistive/Capacitive Touch Options, Supports NEXTECH Exclusive Stylus
- ★ Optional Video Input (VGA/DVI/HDMI/DP)
- ★ Optional Software Remote Control by RS232 or DDC/CI
- ★ Optional High Brightness 1500nits, for Outdoor Environment
- ★ Optional Auto Dimming Function (with Light Sensor)
- ★ Optional AG Coating/Antibacterial/Privacy Filter Surface Treatment



Desktop Stand



Wall Mounting



Open-frame Brackets



Panel Mount



## Display Specifications

Model Name	NTSM121 <b>XXSXX-XXXXX0-500*</b>	Display Mode	IAV Mode, Normally Black
Screen Diagonal	12.1 inch	Response Time	25 msec.
Display Area	245.76x184.32 mm	Backlight Unit	LED (white LED)
Resolution	1024x768 (XGA)	Viewing Angle (L/R, U/D)	178°/178° (CR <sub>≥</sub> 10)
Contrast Ratio	1000:1	Backlight Lifetime	>30,000 Hours
Display Ratio	4:3	Operating Temp.	-30~70°C
Support Colors	1.67M Colors	Storage Temp.	-40~80°C
Pixel Pitch	0.240x0.240 mm	Surface Treatment	Anti-glare, Hardness 3H

\* X = A~Z, 0~9 (Depends on options)

## Display Options

Brightness			
	Brightness	Environment	Model Name
<b>Standard</b>	<b>500nits</b>	<b>General (Indoor)</b>	<b>NTSM121 <b>NXSXX-XXXXX0-500</b></b>
Option 1	1000nits	Outdoor Environment	NTSM121 <b>AXSXX-XXXXX0-500</b>
Option 2	1500nits	Sunlight Readable	NTSM121 <b>FXSXX-XXXXX0-500</b>

## Accessories

Item	Description	Quantity
HDMI Cable	Male to Male, 1.8 Meter	1
AC-DC Adapter	12V with CE/FCC/CCC/UL/RoHS/PSE/JET Certification	1
Power Cord	*Country Specific	1
USB Cable	A type, Male to Male, 1.8 Meter *(only for touch monitor)	1



## Touch Options

Resistive Touch			
Model Name	NTSM121X5SXX-XXXXB0-500		
Touch Technology	Resistive Touch	Transparency	80%±5%
Allowed Touch Points	1 point	Surface Treatment	Anti-glare<15%
Interface	USB/RS232	Hardness	≥3H
Precision	98.50%		

Projected Capacitive Touch			
Model Name	NTSM121XP SXX-XXXXX0-500		
Touch Technology	Projected Capacitive	Transparency	≥87%
Allowed Touch Points	10 points	Accuracy	99.00%
Interface	USB/RS232 (Option)	Thickness of Cover Lens	1.8±0.2mm
IK Ratings	IK07	Hardness of Cover Lens	7H

Non-Touch	
Model Name	NTSM121X0SXX-XXXX00-500

## Supported OS

Windows	Win7, Win8, Win10, Win11 ↑
Linux	Kernel 2.6.24 ↑
Android	3.0 ↑
Mac	10.5.x ↑ (Intel CPU)

## General Options

Video Input		
	Description	Model Name
<b>Standard</b>	<b>VGA+HDMI+DP</b>	<b>NTSM121XXS<u>32</u>-XXXXX0-500</b>
Option	VGA+DVI	NTSM121XXS <u>11</u> -XXXXX0-500



VGA+HDMI+DP



VGA+DVI

Power Input		
	Description	Model Name
<b>Standard</b>	<b>12V, Lockable DC Jack <math>\Phi</math>2.1mm</b>	<b>NTSM121XXS<u>32</u>-XXXXX0-500</b>
Option	12VDC, DC Jack $\Phi$ 2.1mm	NTSM121XXS <u>11</u> -XXXXX0-500



Lockable Power Jack

Surface Film		
	Description	Model Name
<b>Standard</b>	<b>(none)</b>	<b>NTSM121XXSXX-<u>00</u>XXX0-500</b>
Option 1	Anti-Glare Coating	NTSM121XXSXX- <u>GG</u> XXX0-500
Option 2	Antibacterial (AB Film)	NTSM121XXSXX- <u>AB</u> XXX0-500
Option 3	Anti-Spy (AS Film)	NTSM121XXSXX- <u>SF</u> XXX0-500



## General Options (Continued)

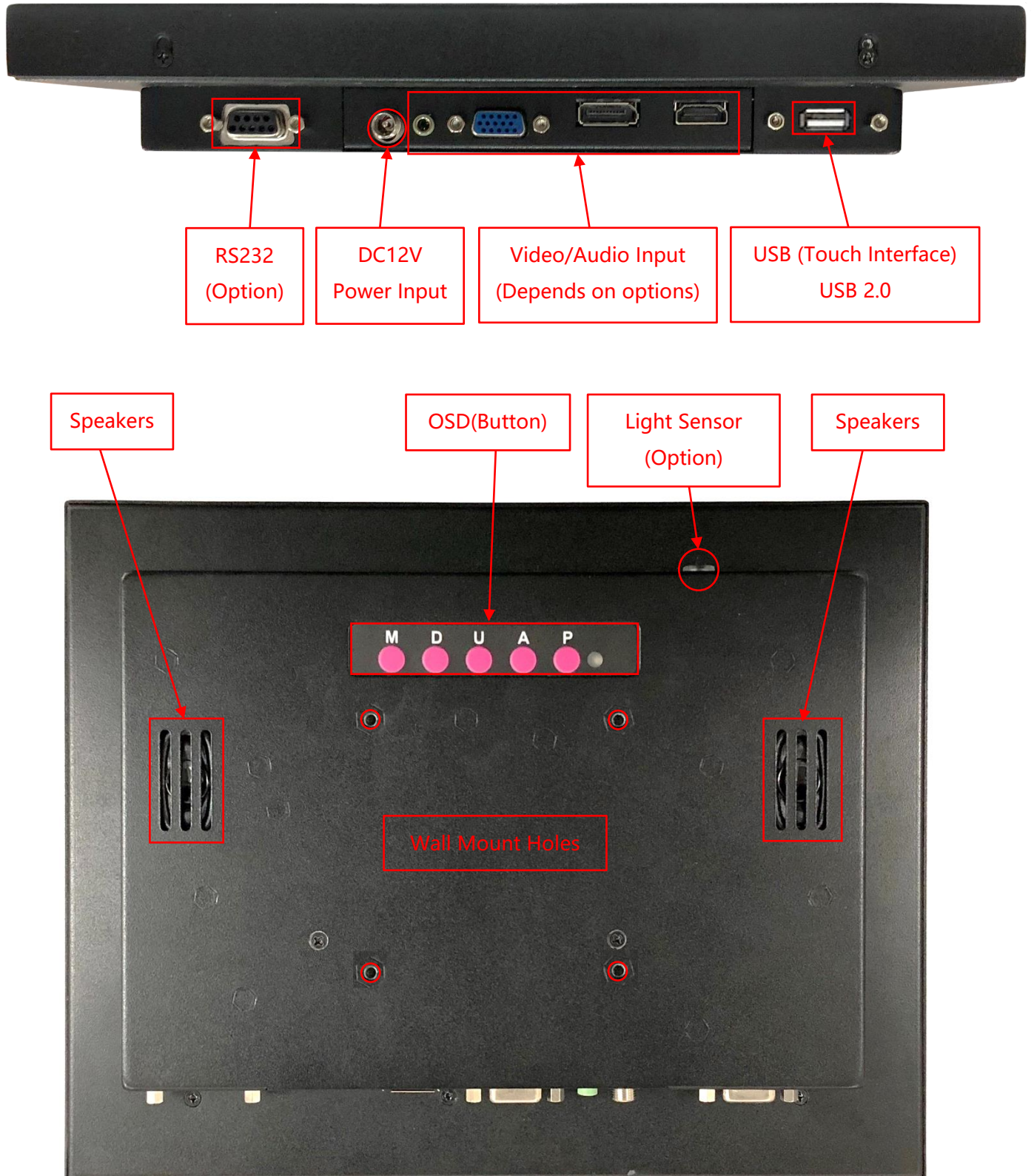
Color of Cabinet		
	Description	Model Name
<b>Standard</b>	<b>Black</b>	<b>NTSM121XXSXX-XXBXX0-500</b>
Option 1	White	NTSM121XXSXX-XXWXX0-500
Option 2	Silver	NTSM121XXSXX-XXSXX0-500
Options	Other Colors	NTSM121XXSXX-XXXXX0-500

\* X = A~Z, 0~9 (Depends on Color)

Material of Cabinet		
	Description	Model Name
<b>Standard</b>	<b>SECC</b>	<b>NTSM121XXSXX-XXXSX0-500</b>
Option 1	Stainless Steel	NTSM121XXSXX-XXXLX0-500
Option 2	Aluminum	NTSM121XXSXX-XXXAX0-500

Touch Interface		
	Description	Model Name
Option 1	USB+RS232 (Resistive Touch)	NTSM121X5SXX-XXXXB0-500
Option 2	USB (Projected Capacitive Touch)	NTSM121XPSXX-XXXXU0-500
Option 3	RS232 (Projected Capacitive Touch)	NTSM121XPSXX-XXXXR0-500
Option 4	Non-Touch	NTSM121X0SXX-XXXX00-500

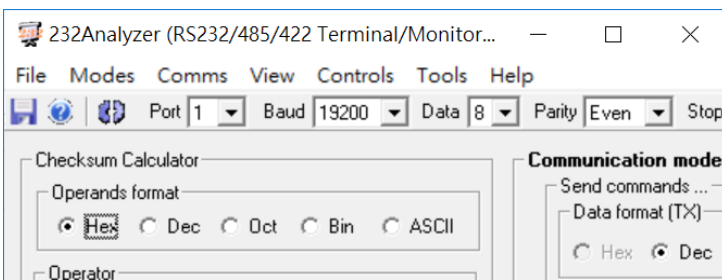
## Input /Output System





## Other Options

OSD Control		
	Item	Description
<b>Standard</b>	<b>Button</b>	<b>Rear Physical Button</b>
Option 1	Software Remote Control	Software Remote Control by RS232/Serial Port
Option 2	Auto Dimming	Auto Brightness Adjusting by Light Sensor



\* Software Remote Control



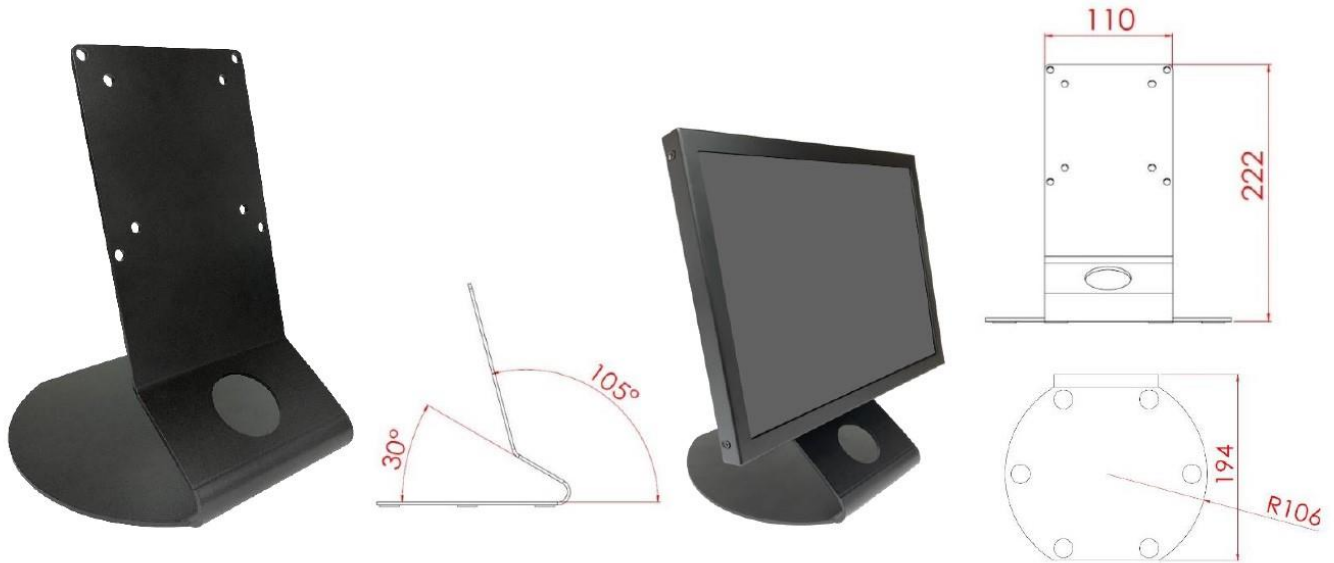
Passive Stylus Pen (Option)	
Technology	Passive High Sensitive Knitted Wire Mesh Fiber Tip
Size of tip	6mm
Magnetic Attachment	Yes





### Desktop Stand (Option)

Item	L Stand	Part No.	DST-0B004/DST-1B004
Mounting Pattern	100x100 / 75x75 mm	Dimension (WxHxD)	194x194x222 mm
Material	SECC	Net Weight	1.4 KG
Tilt (Hinge)	105°	Support Max. Weight	15 KG

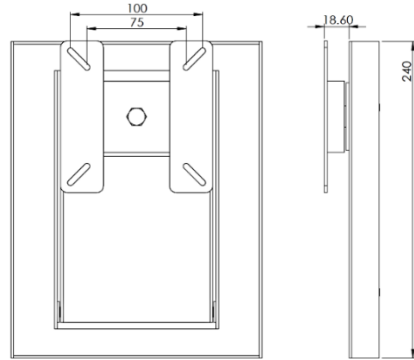


Item	B Stand	Part No.	DST-0B002/DST-1B002
Mounting Pattern	100x100 / 75x75 mm	Dimension (WxHxD)	203x275x227 mm
Material	Steel/Plastic/Aluminum	Net Weight	1.8 KG
Tilt (Hinge)	-2° ~ +180°	Support Max. Weight	15 KG

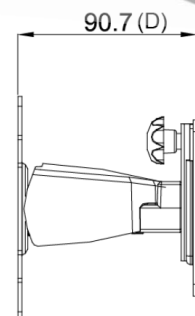
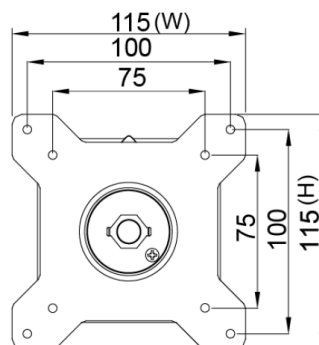
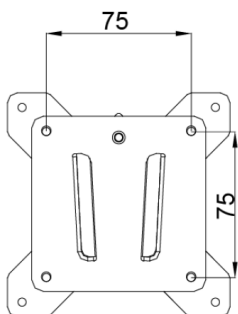
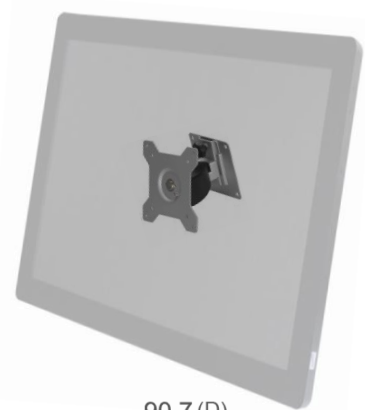


### Desktop Stand (Option)

Item	Z Stand	Part No.	DST-0BZ01/DST-1BZ01
Mounting Pattern	100x100 / 75x75 mm	Dimension (WxHxD)	190x240x41.6
Material	SECC	Net Weight	2.6 KG
Tilt (Hinge)	±360°	Support Max. Weight	15 KG



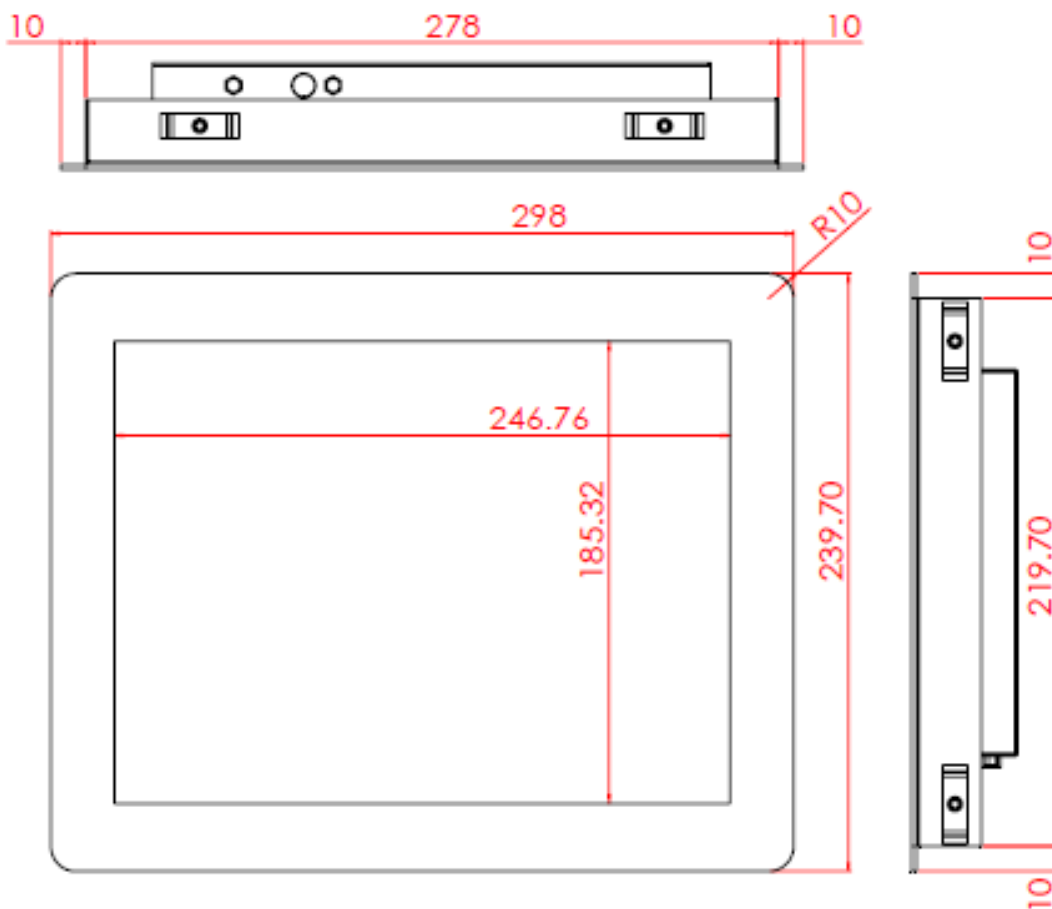
### Wall Mount Bracket (Option)

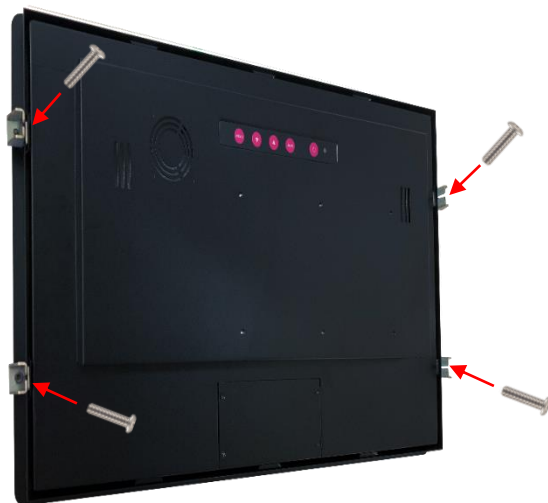
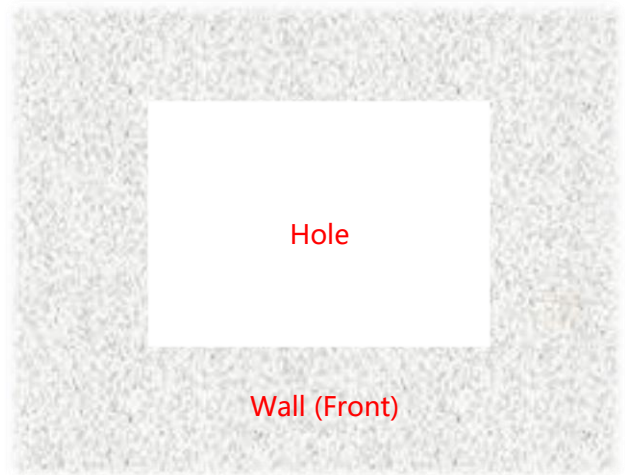
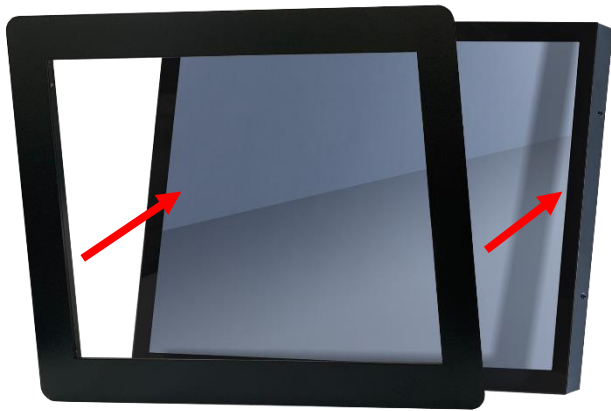


Panel Mount Kits (Option)

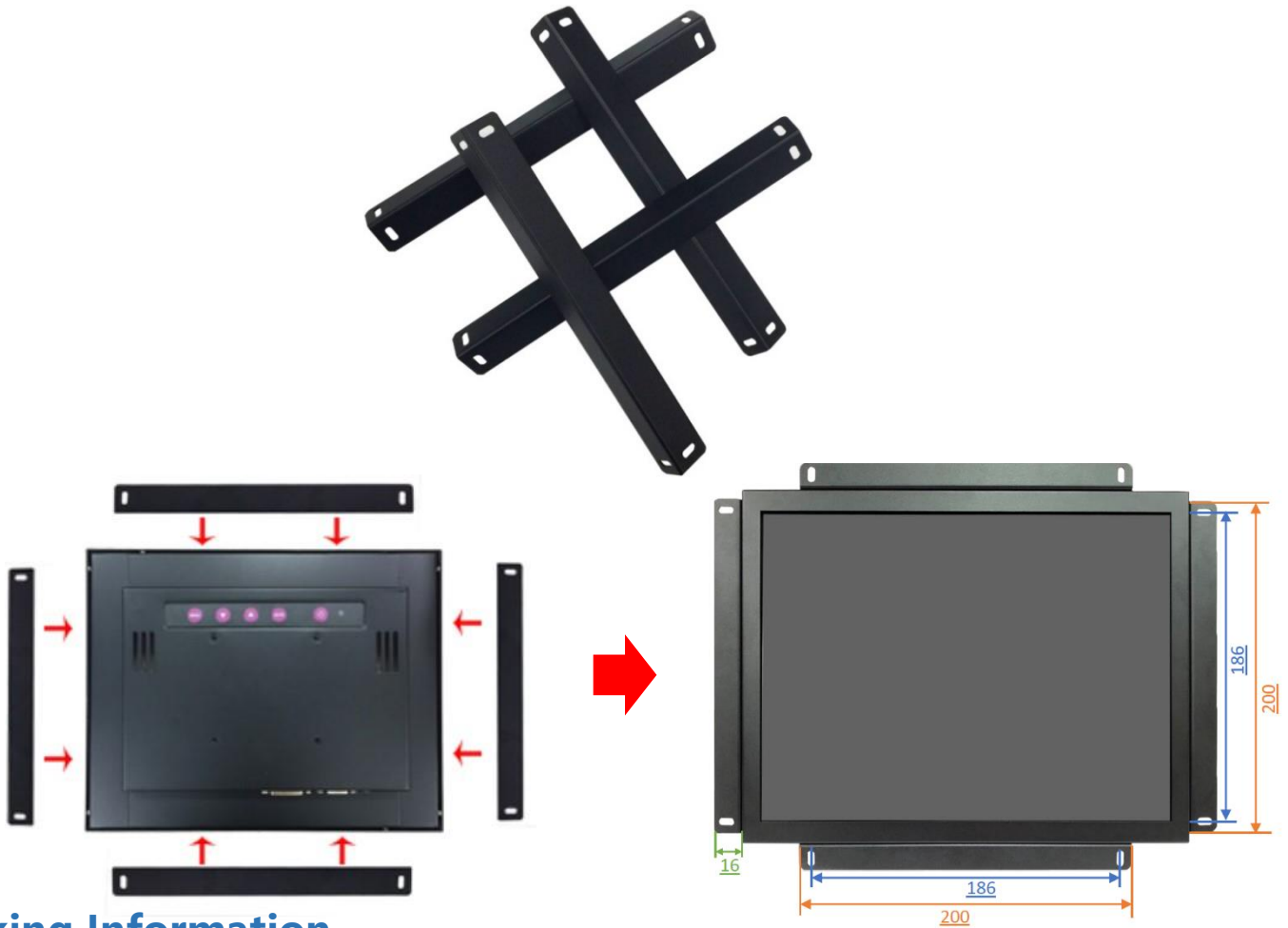


Dimension for Installing with Panel Mount Kits

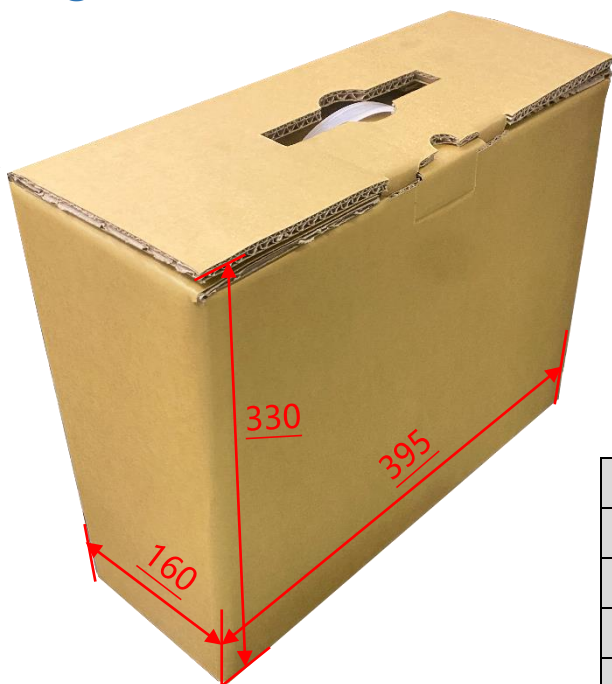




### Open-frame Brackets (Option)



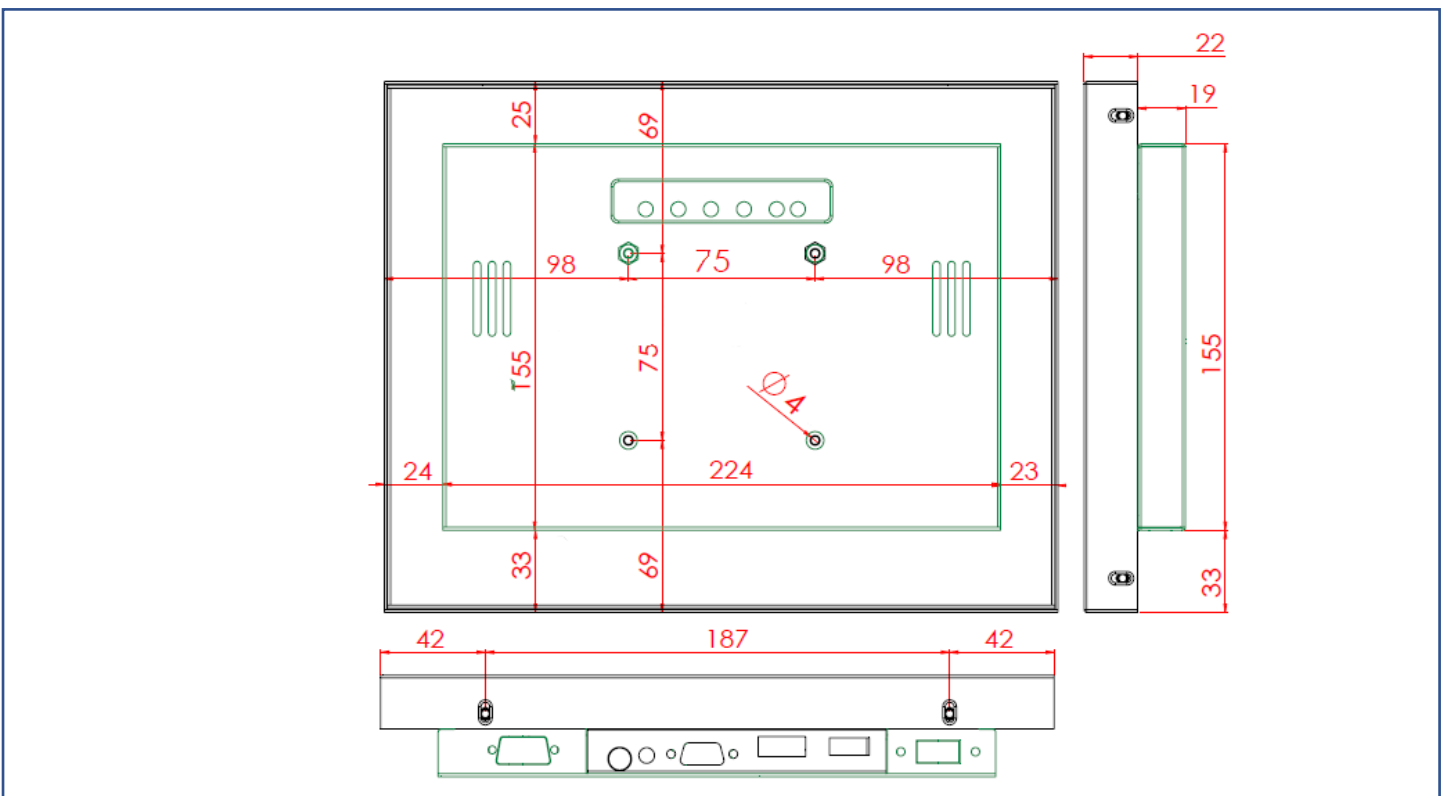
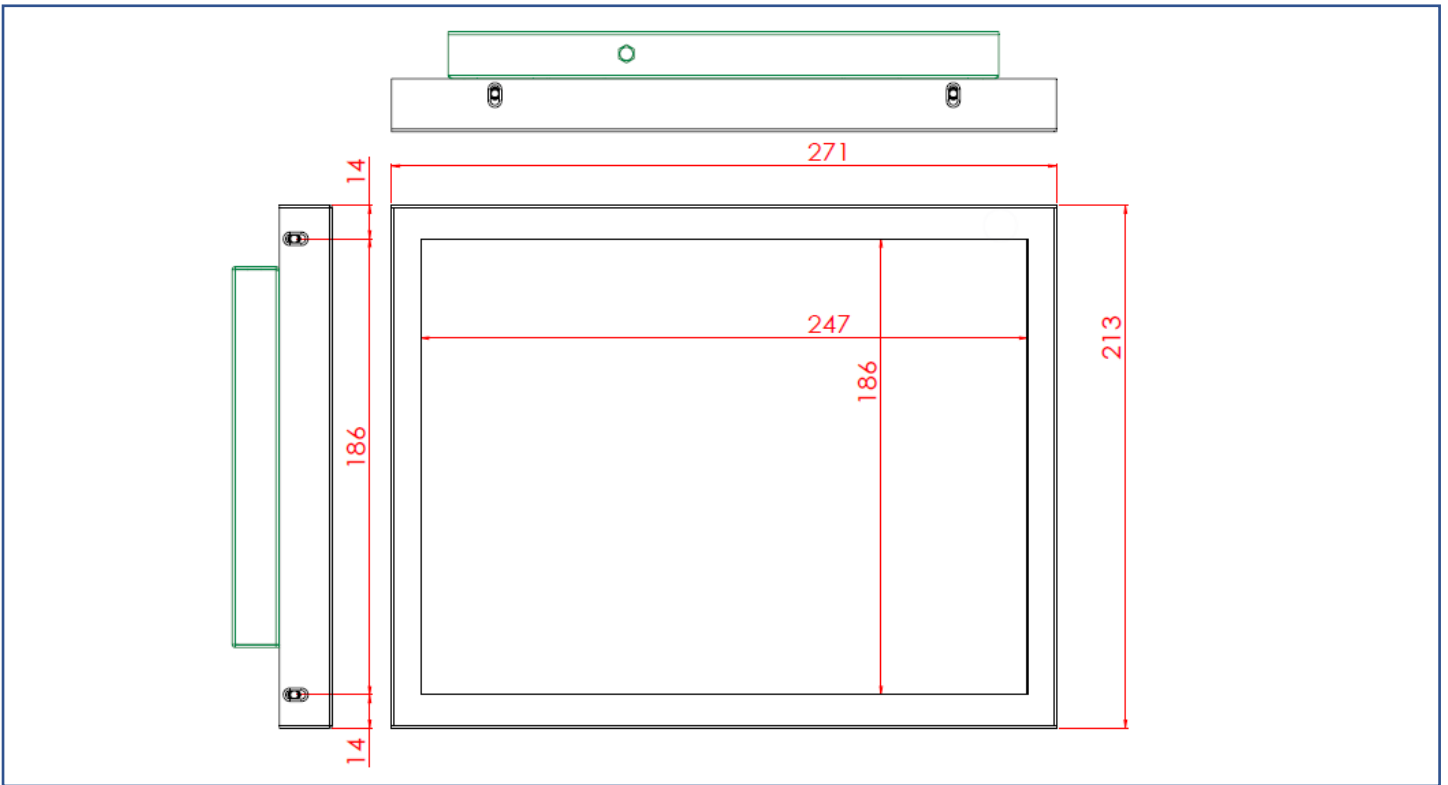
### Packing Information



Unit Carton Size	<b>395x160x330 mm</b>
Unit N. Weight	<b>≅1.9 KG</b>
Unit G. Weight	<b>≅3.0 KG</b>
Units per Pallet	<b>72 units</b>
Pallet Size	<b>120x100x142 CM</b>

### Physical Specifications

Dimension (Max)	<b>271x213x41(±2)mm</b>	Net Weight	<b>≤1.9 KG</b>
VESA Mounting	<b>75x75 mm</b>	Gross Weight	<b>≤3.0 KG</b>



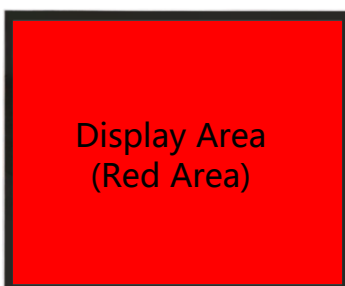
## Cosmetic Inspection Standard

Display Area Allowance			
Defect description	Defective Specifications	Allowance	Remarks
Dot Defect (including dark dot, particles, bubbles, pits, dust, foreign matter)	$D \leq 0.2\text{mm}$	Ignored	D=Diameter
	$0.2 < D \leq 0.7\text{mm}$	$N \leq 5$	N=Quantity
	$0.7 < D \leq 1\text{mm}$	$N \leq 3$	
	$D > 1\text{mm}$	$N \leq 0$	
Linear Defect (including scratches, fluff, particles)	$W \leq 0.15\text{mm}$	Ignored	W=Width
	$0.15 < W \leq 0.5\text{mm}, L \leq 15\text{mm}$	$N \leq 2$	L=Length
	$W > 0.5\text{mm}$ or $L > 15\text{mm}$	NG	

\* Visual inspection distance: 60cm, 90 degree (same for front/side/back)

Front Appearance Allowance (Including Coating)			
Defect description	Defective Specifications	Allowance	Remarks
Dot Defect (including particles, bubbles, pits...etc.)	$D \leq 0.7\text{mm}$	Ignored	D=Diameter
	$0.7 < D \leq 1.5\text{mm}$	$N \leq 3$	N=Quantity
	$D > 1.5\text{mm}$	$N \leq 0$	
Linear Defect (including scratches, fluff, particles)	$W \leq 0.2\text{mm}, L \leq 15\text{mm}$	Ignored	W=Width, L=Length
	$0.2 < W \leq 0.7\text{mm}, L \leq 15\text{mm}$	$N \leq 1$	
	$W > 0.7\text{mm}$ or $L > 15\text{mm}$	NG	

Side / Back Appearance Allowance (Including Coating)			
Defect description	Defective Specifications	Allowance	Remarks
Dot Defect (including particles, bubbles, pits...etc.)	$D \leq 1.5\text{mm}$	Ignored	D=Diameter
	$1.5 < D \leq 3\text{mm}$	$N \leq 8$	N=Quantity
	$D > 3\text{mm}$	$N \leq 2$	
Linear Defect (including scratches, fluff, particles)	$W \leq 0.8\text{mm}, L \leq 15\text{mm}$	Ignored	W=Width, L=Length
	$0.8 < W \leq 1.5\text{mm}, L \leq 15\text{mm}$	$N \leq 5$	
	$W > 1.5\text{mm}$ or $L > 15\text{mm}$	NG	



Display Area  
(Red Area)



Front Appearance (Red Area)



Back Appearance