

Product Specifications

Customer	
Model	NTSM104-3 V500



Records of Revision			
Vision	Modifying	Old Description	New Description
v2406.1	Preliminary Specifications		

Features

- ★ 10.4 inch industrial grade panel, 1024x768 resolution
- ★ IAV wide viewing angle technology , 176°/176°
- ★ 1000nits high brightness
- ★ Wide operating temperature range -30~85°C
- ★ Metal cabinet with diverse combine options
- ★ Made in Taiwan, 3 years warranty, designed for harsh environments
- ★ Resistive touch options, supports NEXTECH dedicated stylus
- ★ Optional video input (VGA/DVI/HDMI/DP)
- ★ Optional software remote control by RS232 or DDC/CI
- ★ Optional auto dimming function (with light sensor)
- ★ Optional AG coating/Antibacterial/Privacy filter surface treatment



Desktop Stand



Wall Mounting



Open-frame Brackets



Panel Mount

Display Specifications

Model Name	NTSM104H <u>X</u> 3 <u>XX</u> - <u>XXXXX</u> 0-500	Display Mode	IAV Mode, Normally Black
Screen Diagonal	10.4 inch	Response Time	25 msec.
Display Area	210.4x157.8 mm	Backlight Unit	LED (white LED)
Resolution	1024x768 (XGA)	Viewing Angle (L/R, U/D)	176°/176° (CR_≥10)
Contrast Ratio	1000:1	Backlight Lifetime	>50,000 Hours
Display Ratio	4:3	Operating Temp.	-30~85°C
Support Colors	16.2M Colors	Storage Temp.	-30~85°C
Pixel Pitch	0.0685x0.2055 mm	Brightness	1000nits

* X = A~Z, 0~9 (Depends on options)

Accessories

Item	Description	Quantity
HDMI Cable	Male to Male, 1.8 Meter	1
AC-DC Adapter	12V with CE/FCC/CCC/UL/RoHS/PSE/JET Certification	1
Power Cord	*Country Specific	1
USB Cable	A type, Male to Male, 1.8 Meter *(only for touch monitor)	1

Touch Options

Resistive Touch			
Model Name	NTSM104H <u>5</u> 3XX-XXXXB0-500		
Touch Technology	Resistive Touch	Transparency	80%±5%
Allowed Touch Points	1 point	Surface Treatment	Anti-glare<15%
Interface	USB/RS232	Hardness	≥3H
Precision	98.50%		

Non-Touch	
Model Name	NTSM104H <u>0</u> 3XX-XXXX00-500

Passive Stylus Pen (Option)	
Technology	Passive High Sensitive Knitted Wire Mesh Fiber Tip
Size of tip	6mm
Magnetic Attachment	Yes



Supported OS

Windows	Win7, Win8, Win10, Win11 ↑
Linux	Kernel 2.6.24 ↑
Android	3.0 ↑
Mac	10.5.x ↑ (Intel CPU)

General Options

Video Input		
	Description	Model Name
Standard	VGA+HDMI+DP	NTSM104HX3<u>32</u>-<u>XXXXX0</u>-500
Option	VGA+DVI	NTSM104HX3 <u>11</u> - <u>XXXXX0</u> -500



VGA+HDMI+DP



VGA+DVI

Power Input		
	Description	Model Name
Standard	12V, Lockable DC Jack Φ2.1mm	NTSM104HX3<u>32</u>-<u>XXXXX0</u>-500
Option	12VDC, DC Jack Φ 2.1mm	NTSM104HX3 <u>11</u> - <u>XXXXX0</u> -500



Lockable Power Jack

Surface Film		
	Description	Model Name
Standard	(none)	NTSM104HX3XX-<u>00</u>XXXX0-500
Option 1	Anti-Glare Coating	NTSM104HX3XX- <u>GG</u> XXXX0-500
Option 2	Antibacterial (AB Film)	NTSM104HX3XX- <u>AB</u> XXXX0-500
Option 3	Anti-Spy (AS Film)	NTSM104HX3XX- <u>SF</u> XXXX0-500

General Options (Continued)

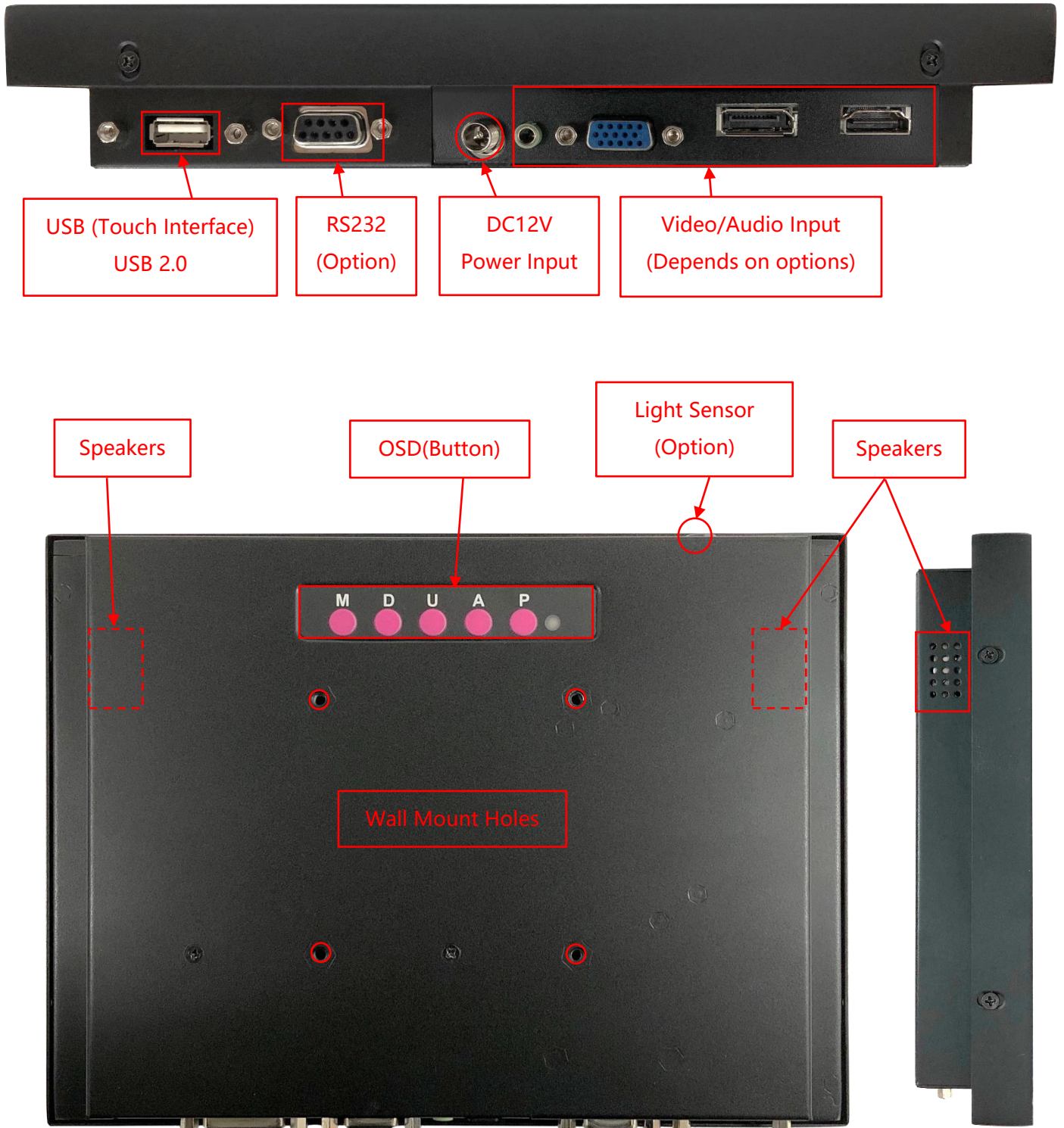
Color of Cabinet		
	Description	Model Name
Standard	Black	NTSM104HX3XX-XXBXX0-500
Option 1	White	NTSM104HX3XX-XX W XX0-500
Option 2	Silver	NTSM104HX3XX-XX S XX0-500
Options	Other Colors	NTSM104HX3XX-XX X XX0-500

* X = A~Z, 0~9 (Depends on Color)

Material of Cabinet		
	Description	Model Name
Standard	SECC	NTSM104HX3XX-XXXSX0-500
Option 1	Stainless Steel	NTSM104HX3XX-XXX L X0-500
Option 2	Aluminum	NTSM104HX3XX-XXX A X0-500

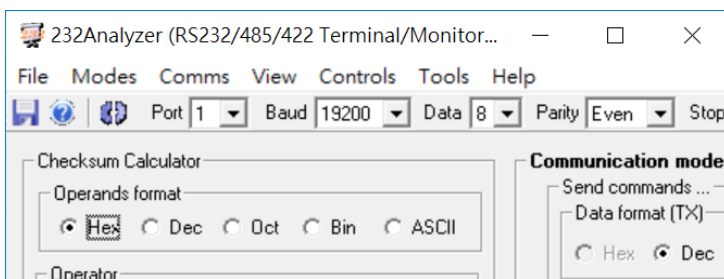
Touch Interface		
	Description	Model Name
Standard	USB+RS232	NTSM104H53XX-XXXXB0-500
Option 1	Non-Touch	NTSM104H03XX-XXXX 0 0-500

Input /Output System



Other Options

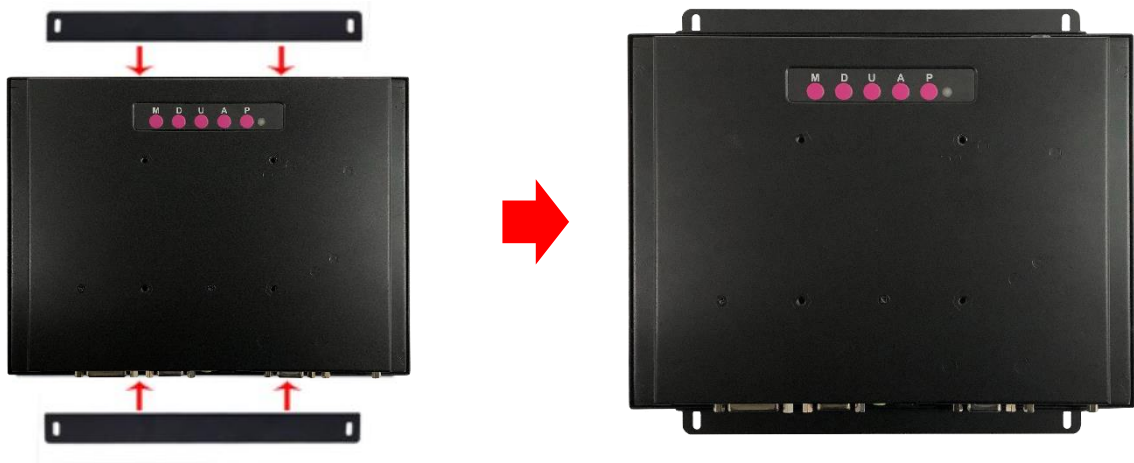
OSD Control		
	Item	Description
Standard	Button	Rear Physical Button
Option 1	Software Remote Control	Software Remote Control by RS232/Serial Port
Option 2	Auto Dimming	Auto Brightness Adjusting by Light Sensor



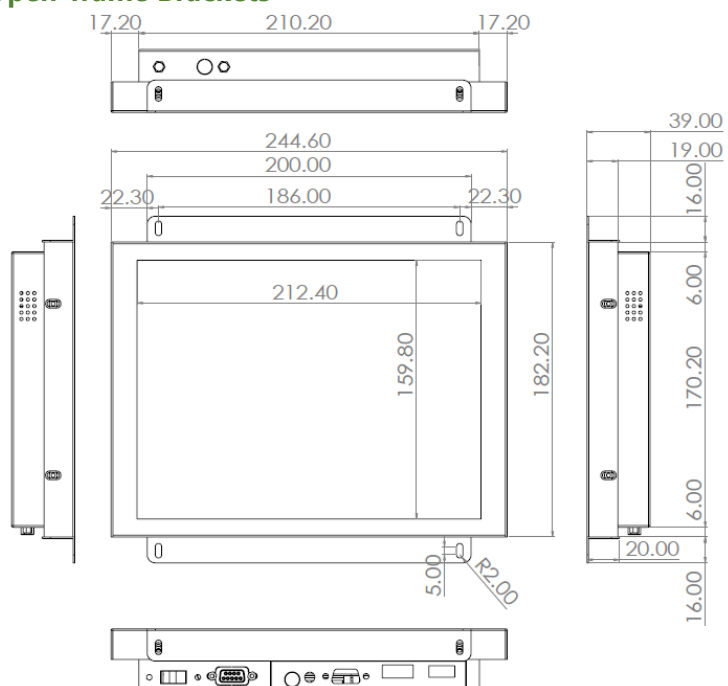
* Software Remote Control



Open-frame Brackets (Option)



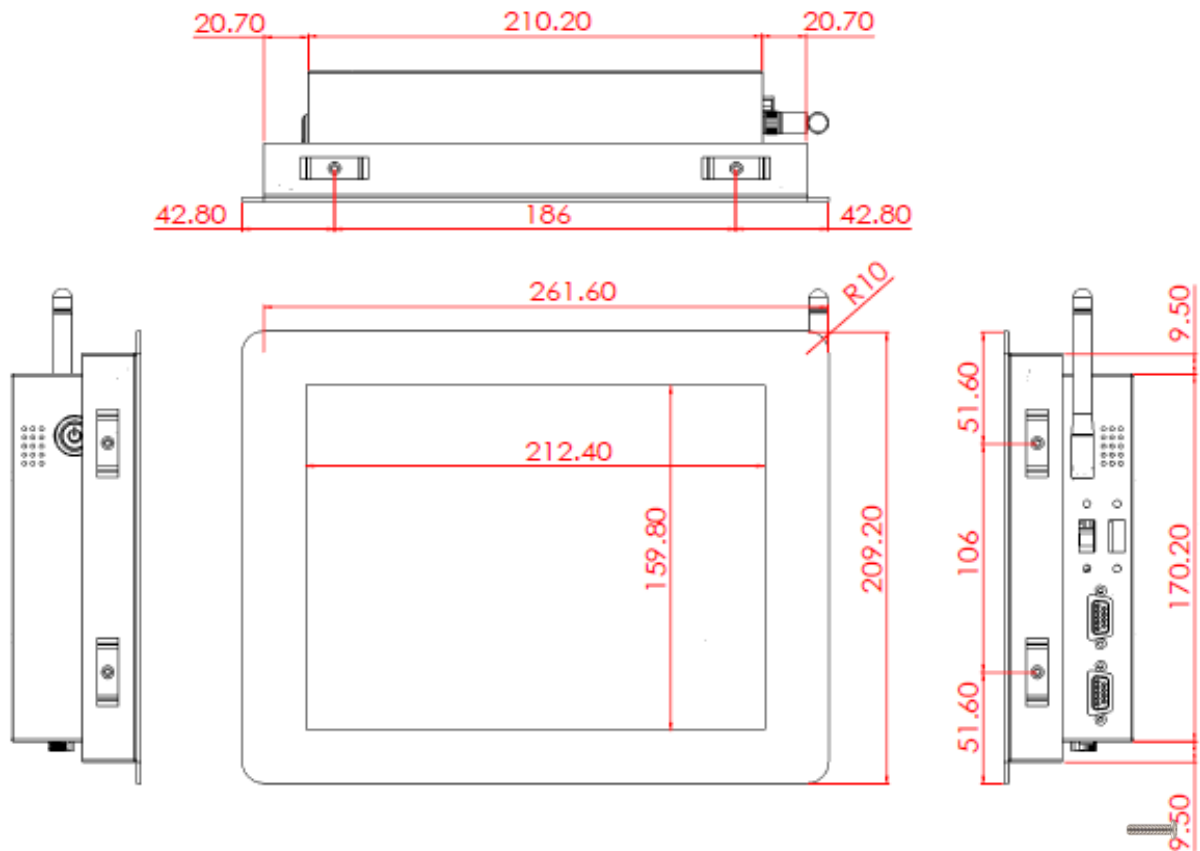
Dimension for Installing with Open-frame Brackets

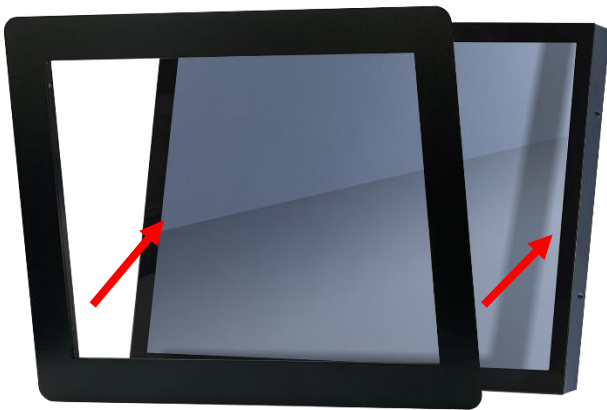


Panel Mount Kits (Option)

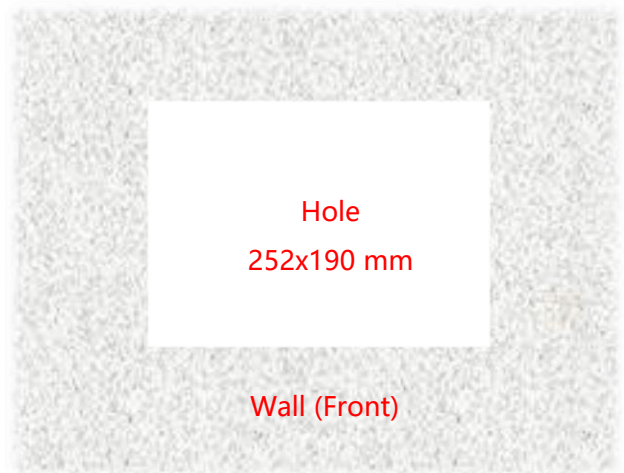


Dimension for Installing with Panel Mount Kits

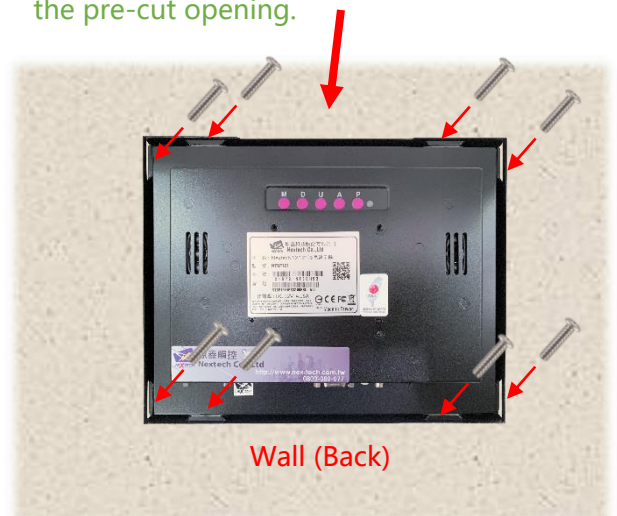




Step 1: Assemble the front module with the screen body. (This step is pre-assembled at the factory.)



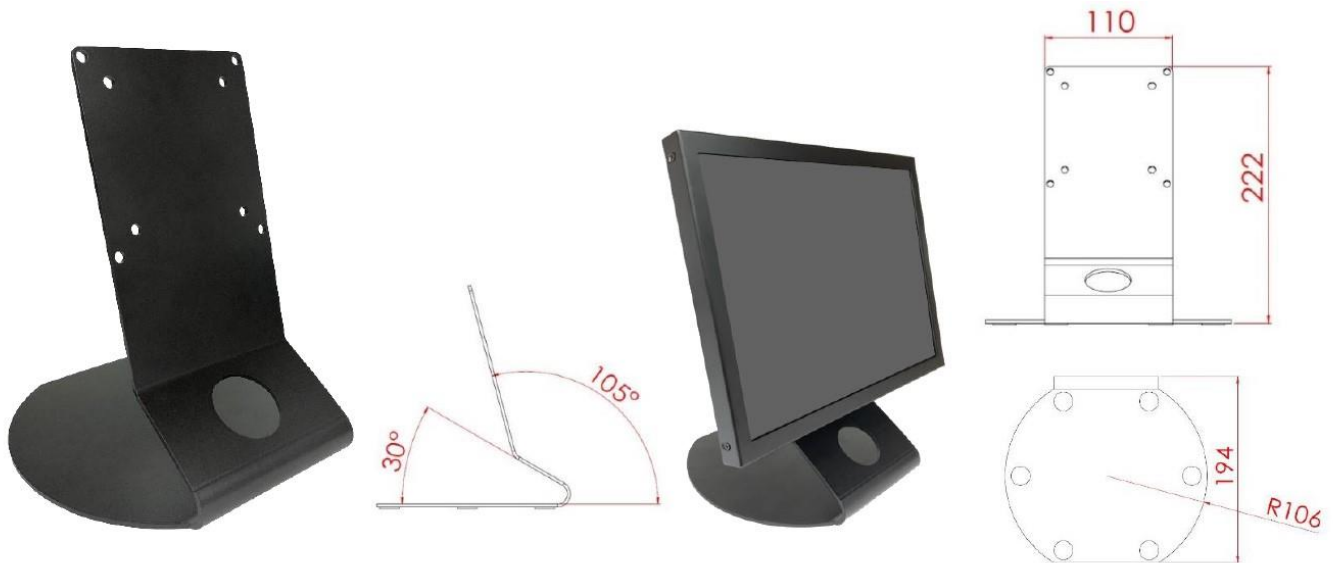
Step 2: Insert the screen from the front into the pre-cut opening.



Step 3: Attach the clips from the back and secure with screws. (Up to 10 clips can be installed as needed or per positional limitations.)

Desktop Stand (Option)

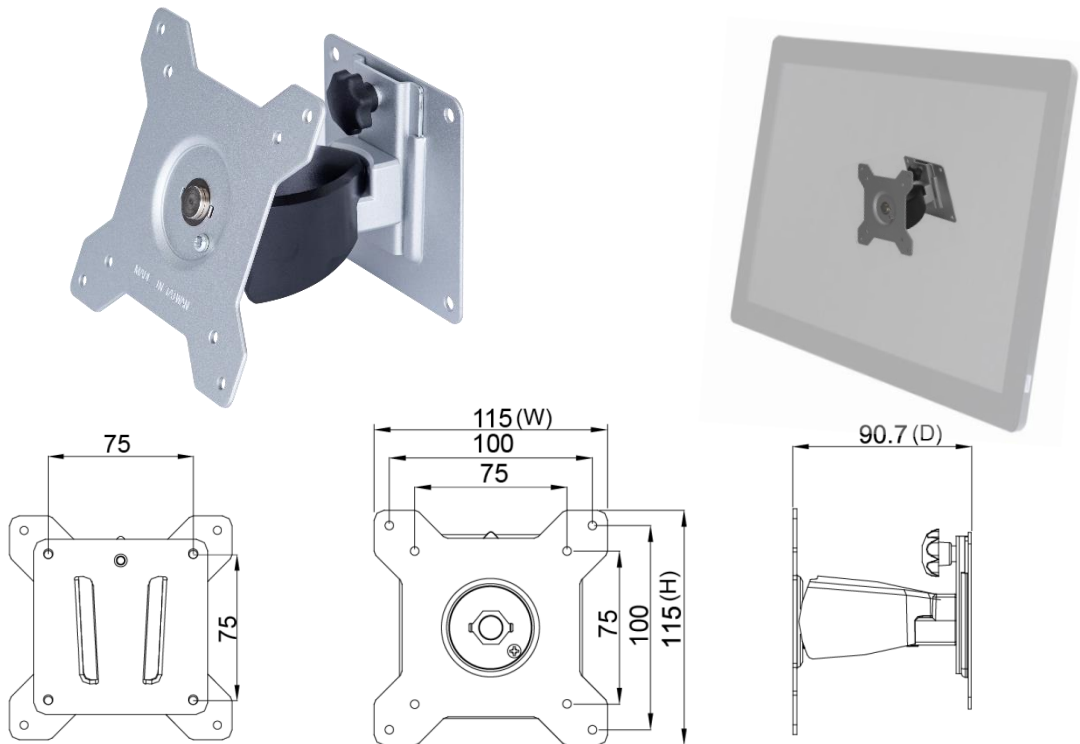
Item	L Stand	Part No.	DST-0B004/DST-1B004
Mounting Pattern	100x100 / 75x75 mm	Dimension (WxHxD)	194x194x222 mm
Material	SECC	Net Weight	1.4 KG
Tilt (Hinge)	105°	Support Max. Weight	15 KG



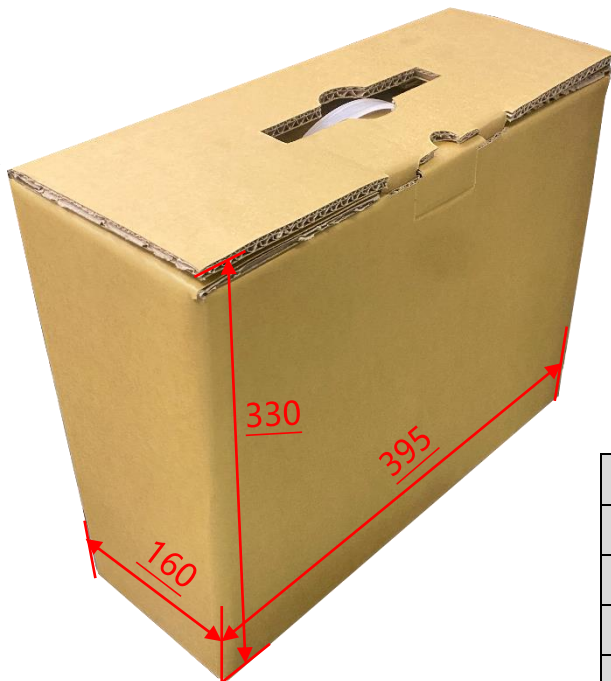
Item	B Stand	Part No.	DST-0B002/DST-1B002
Mounting Pattern	100x100 / 75x75 mm	Dimension (WxHxD)	203x275x227 mm
Material	Steel/Plastic/Aluminum	Net Weight	1.8 KG
Tilt (Hinge)	-2° ~ +180°	Support Max. Weight	15 KG



Wall Mount Bracket (Option)



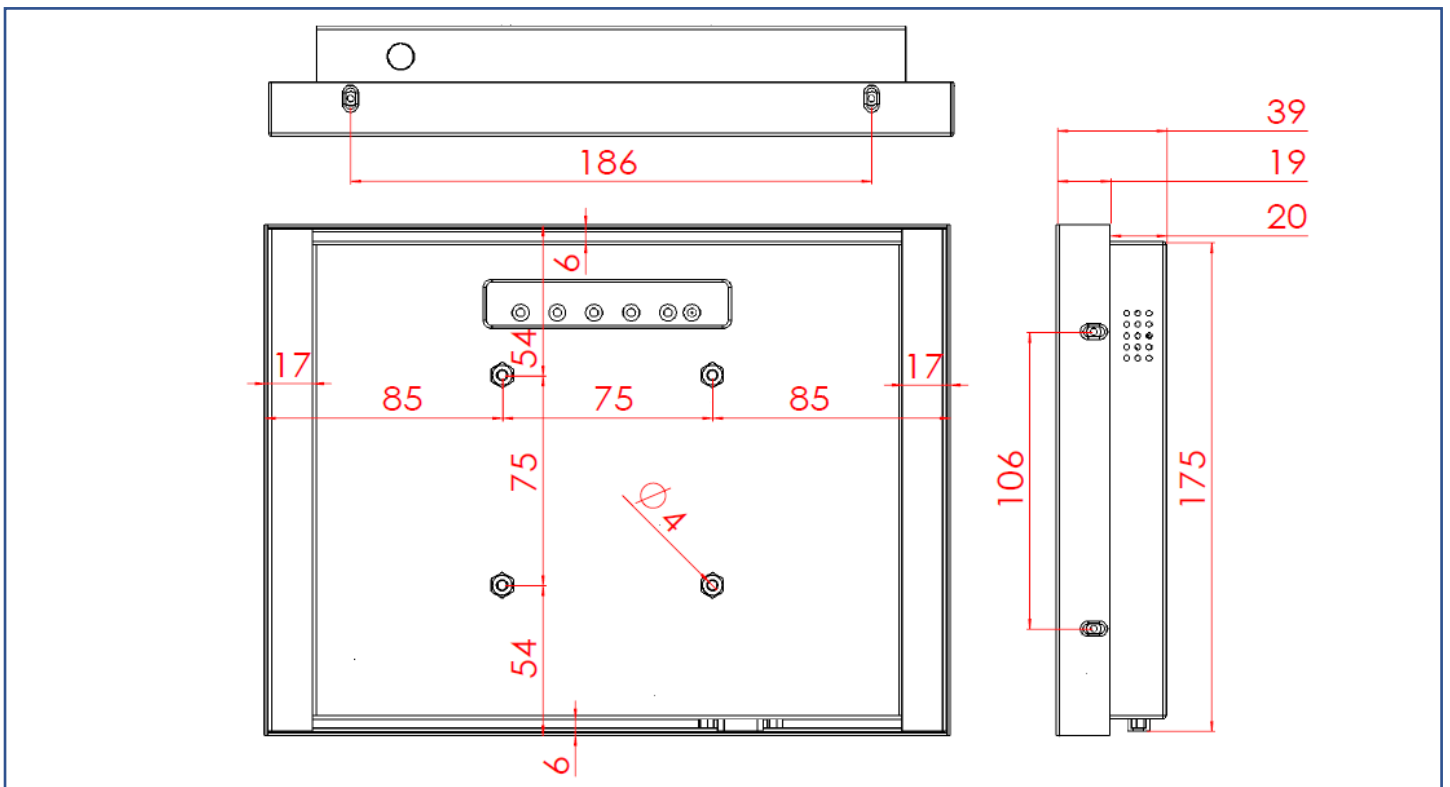
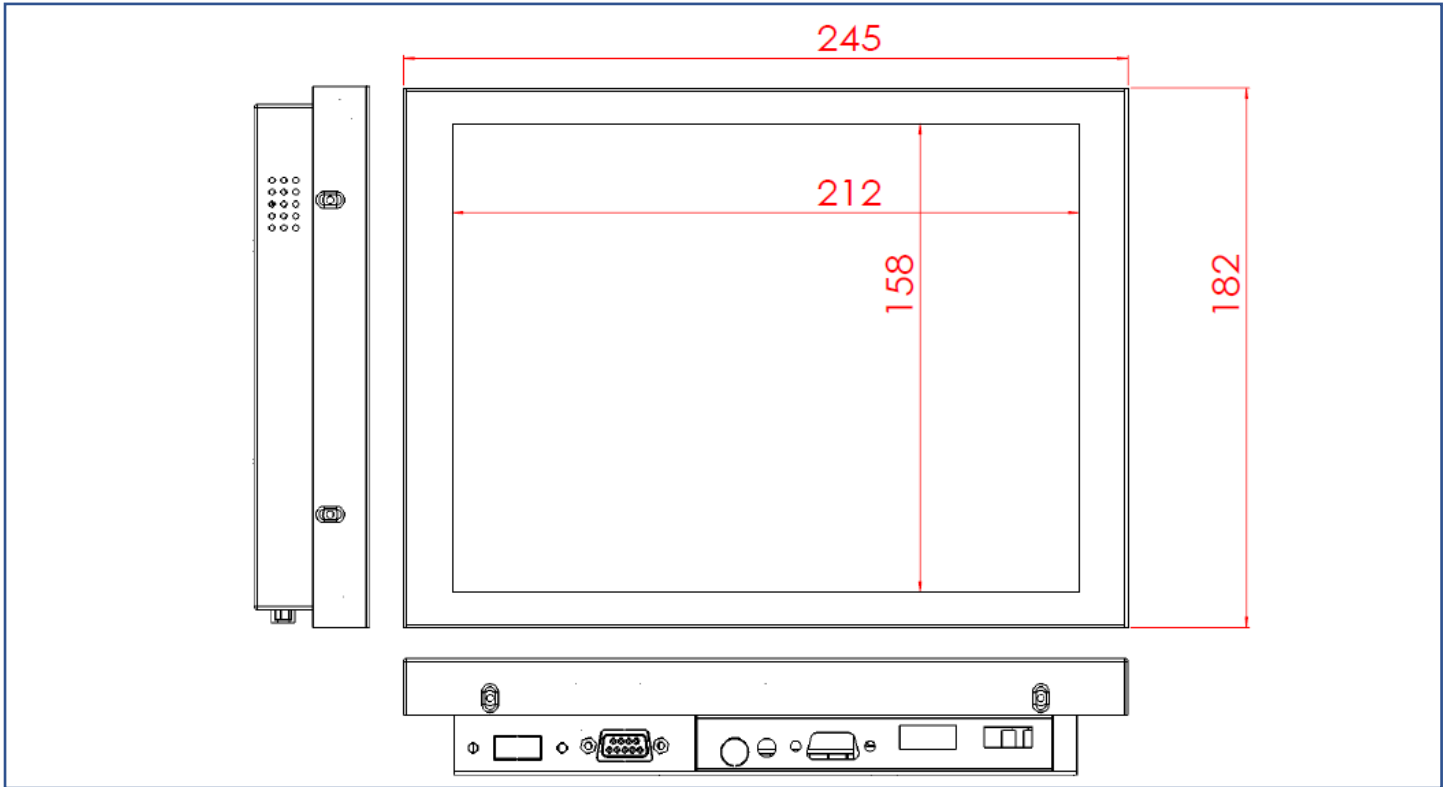
Packing Information



Unit Carton Size	395x160x330 mm
Unit N. Weight	≤1.5 KG
Unit G. Weight	≤2.6 KG
Units per Pallet	72 units
Pallet Size	120x100x142 CM

Physical Specifications

Dimension (Max)	245x182x39(±2)mm	Net Weight	≤1.5 KG
VESA Mounting	75x75 mm	Gross Weight	≤2.6 KG



Cosmetic Inspection Standard

Display Area Allowance			
Defect description	Defective Specifications	Allowance	Remarks
Dot Defect (including dark dot, particles, bubbles, pits, dust, foreign matter)	$D \leq 0.2\text{mm}$	Ignored	D=Diameter
	$0.2 < D \leq 0.7\text{mm}$	$N \leq 5$	N=Quantity
	$0.7 < D \leq 1\text{mm}$	$N \leq 3$	
	$D > 1\text{mm}$	$N \leq 0$	
Linear Defect (including scratches, fluff, particles)	$W \leq 0.15\text{mm}$	Ignored	W=Width
	$0.15 < W \leq 0.5\text{mm}, L \leq 15\text{mm}$	$N \leq 2$	L=Length
	$W > 0.5\text{mm}$ or $L > 15\text{mm}$	NG	

* Visual inspection distance: 60cm, 90 degree (same for front/side/back)

Front Appearance Allowance (Including Coating)			
Defect description	Defective Specifications	Allowance	Remarks
Dot Defect (including particles, bubbles, pits...etc.)	$D \leq 0.7\text{mm}$	Ignored	D=Diameter
	$0.7 < D \leq 1.5\text{mm}$	$N \leq 3$	N=Quantity
	$D > 1.5\text{mm}$	$N \leq 0$	
Linear Defect (including scratches, fluff, particles)	$W \leq 0.2\text{mm}, L \leq 15\text{mm}$	Ignored	W=Width, L=Length
	$0.2 < W \leq 0.7\text{mm}, L \leq 15\text{mm}$	$N \leq 1$	
	$W > 0.7\text{mm}$ or $L > 15\text{mm}$	NG	

Side / Back Appearance Allowance (Including Coating)			
Defect description	Defective Specifications	Allowance	Remarks
Dot Defect (including particles, bubbles, pits...etc.)	$D \leq 1.5\text{mm}$	Ignored	D=Diameter
	$1.5 < D \leq 3\text{mm}$	$N \leq 8$	N=Quantity
	$D > 3\text{mm}$	$N \leq 2$	
Linear Defect (including scratches, fluff, particles)	$W \leq 0.8\text{mm}, L \leq 15\text{mm}$	Ignored	W=Width, L=Length
	$0.8 < W \leq 1.5\text{mm}, L \leq 15\text{mm}$	$N \leq 5$	
	$W > 1.5\text{mm}$ or $L > 15\text{mm}$	NG	



Display Area
(Red Area)



Front Appearance (Red Area)



Back Appearance