

# Product Specifications

<b>Customer</b>	
<b>Model</b>	<b>NTSM104-2 V500</b>



Records of Revision			
Vision	Modifying	Old Description	New Description
v2009.1	Preliminary Specifications		
v2009.2	Revise Information of Weights		
v2009.3	Adjust Display Specifications		
v2009.4	Updating packaging methods		
<b>v2009.5</b>	<b>New trademark released</b>		

## Features

- ★ 10.4 inch Industrial Grade Panel, 1024x768 Resolution
- ★ IAV Wide Viewing Angle Technology , 176°/176°
- ★ Wide Operating Temperature Range -30~85°C
- ★ Metal Cabinet with Diverse Combine Options
- ★ Made in Taiwan, 3 Years Warranty, Designed for Harsh Environments
- ★ Resistive/Capacitive Touch Options, Supports NEXTECH Dedicated Stylus
- ★ Optional Video Input (VGA/DVI/HDMI/DP)
- ★ Optional Software Remote Control by RS232 or DDC/CI
- ★ Optional High Brightness 1500nits, for Outdoor Environment
- ★ Optional Auto Dimming Function (with Light Sensor)
- ★ Optional AG Coating/Antibacterial/Privacy Filter Surface Treatment



Desktop Stand



Wall Mounting



Open-frame Brackets



Panel Mount

## Display Specifications

Model Name	<b>NTSM104XX2XX-XXXXX0-500</b>	Display Mode	<b>IAV Mode, Normally Black</b>
Screen Diagonal	<b>10.4 inch</b>	Response Time	<b>25 msec.</b>
Display Area	<b>210.4x157.8 mm</b>	Backlight Unit	<b>LED (white LED)</b>
Resolution	<b>1024x768 (XGA)</b>	Viewing Angle (L/R, U/D)	<b>176°/176° (CR<sub>≥</sub>10)</b>
Contrast Ratio	<b>1000:1</b>	Backlight Lifetime	<b>&gt;50,000 Hours</b>
Display Ratio	<b>4:3</b>	Operating Temp.	<b>-30~85°C</b>
Support Colors	<b>16.2M Colors</b>	Storage Temp.	<b>-30~85°C</b>
Pixel Pitch	<b>0.0685x0.2055 mm</b>		

\* X = A~Z, 0~9 (Depends on options)

## Display Options

Brightness			
	Brightness	Environment	Model Name
<b>Standard</b>	<b>500nits</b>	<b>General (Indoor)</b>	<b>NTSM104NX2XX-XXXXX0-500</b>
Option 1	1000nits	Outdoor Environment	NTSM104AX2XX-XXXXX0-500
Option 2	1500nits	Sunlight Readable	NTSM104FX2XX-XXXXX0-500

## Accessories

Item	Description	Quantity
HDMI Cable	<b>Male to Male, 1.8 Meter</b>	<b>1</b>
AC-DC Adapter	<b>12V with CE/FCC/CCC/UL/RoHS/PSE/JET Certification</b>	<b>1</b>
Power Cord	<b>*Country Specific</b>	<b>1</b>
USB Cable	<b>A type, Male to Male, 1.8 Meter *(only for touch monitor)</b>	<b>1</b>

## Touch Options

Resistive Touch			
Model Name	NTSM104X52XX-XXXXB0-500		
Touch Technology	Resistive Touch	Transparency	80%±5%
Allowed Touch Points	1 point	Surface Treatment	Anti-glare<15%
Interface	USB/RS232	Hardness	≥3H
Precision	98.50%		

Projected Capacitive Touch			
Model Name	NTSM104XP2XX-XXXXU0-500		
Touch Technology	Projected Capacitive	Transparency	≥87%
Allowed Touch Points	10 points	Accuracy	99.00%
Interface	USB	Thickness of Cover Lens	1.8±0.2mm
IK Ratings	IK07	Hardness of Cover Lens	7H

Non-Touch	
Model Name	NTSM104X02XX-XXXX00-500

## Supported OS

Windows	Win7, Win8, Win10, Win11 ↑
Linux	Kernel 2.6.24 ↑
Android	3.0 ↑
Mac	10.5.x ↑ (Intel CPU)

## General Options

Video Input		
	Description	Model Name
<b>Standard</b>	<b>VGA+HDMI+DP</b>	<b>NTSM104XX2<u>32</u>-XXXXX0-500</b>
Option	VGA+DVI	NTSM104XX2 <u>11</u> -XXXXX0-500



VGA+HDMI+DP



VGA+DVI

Power Input		
	Description	Model Name
<b>Standard</b>	<b>12V, Lockable DC Jack <math>\Phi</math>2.1mm</b>	<b>NTSM104XX2<u>32</u>-XXXXX0-500</b>
Option	12VDC, DC Jack $\Phi$ 2.1mm	NTSM104XX2 <u>11</u> -XXXXX0-500



Lockable Power Jack

Surface Film		
	Description	Model Name
<b>Standard</b>	<b>(none)</b>	<b>NTSM104XX2XX-<u>00</u>XXX0-500</b>
Option 1	Anti-Glare Coating	NTSM104XX2XX- <u>GG</u> XXX0-500
Option 2	Antibacterial (AB Film)	NTSM104XX2XX- <u>AB</u> XXX0-500
Option 3	Anti-Spy (AS Film)	NTSM104XX2XX- <u>SF</u> XXX0-500

## General Options (Continued)

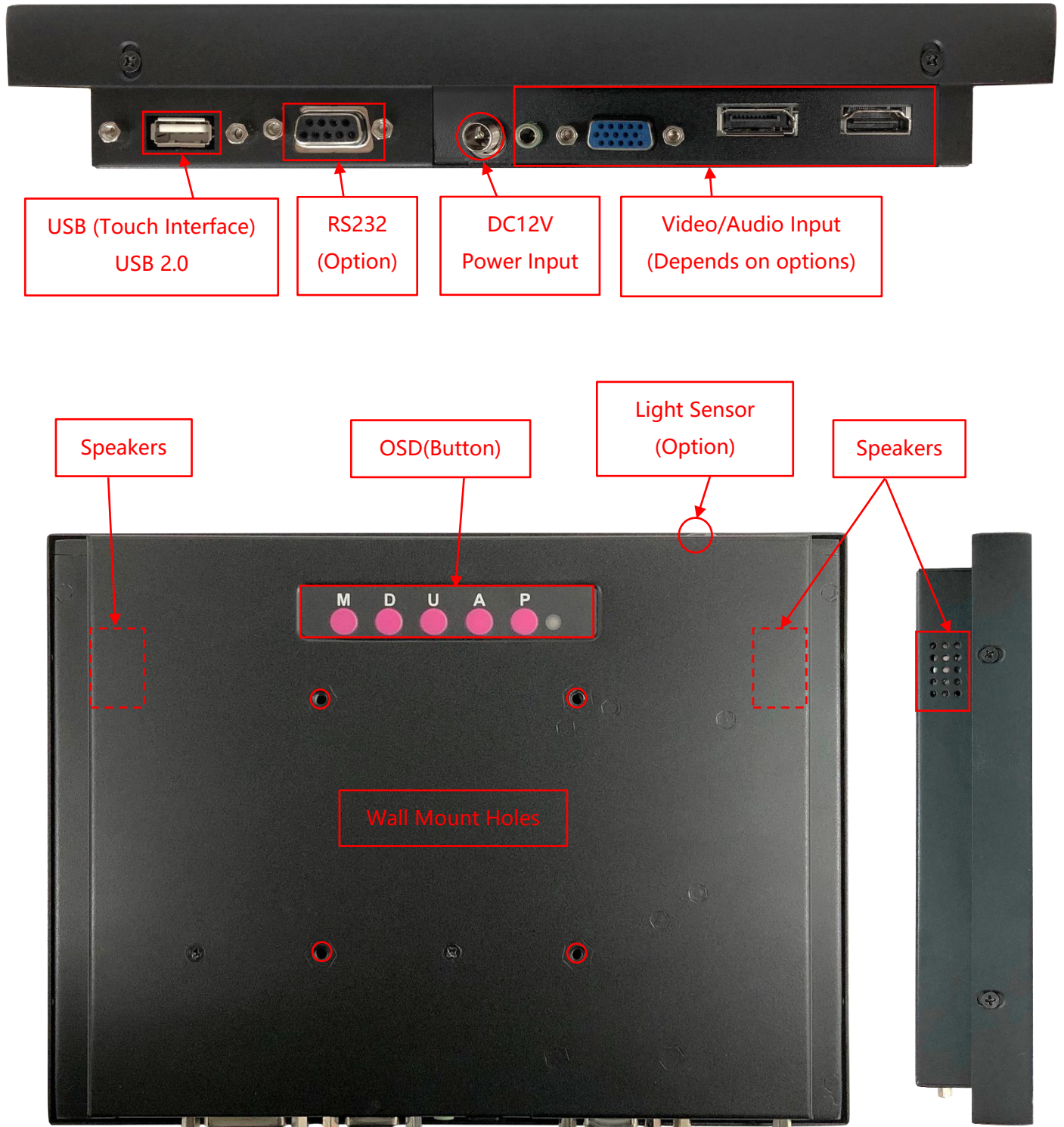
Color of Cabinet		
	Description	Model Name
<b>Standard</b>	<b>Black</b>	<b>NTSM104XX2XX-XXBXX0-500</b>
Option 1	White	NTSM104XX2XX-XXWXX0-500
Option 2	Silver	NTSM104XX2XX-XXSXX0-500
Options	Other Colors	NTSM104XX2XX-XXXXX0-500

\* X = A~Z, 0~9 (Depends on Color)

Material of Cabinet		
	Description	Model Name
<b>Standard</b>	<b>SECC</b>	<b>NTSM104XX2XX-XXXSX0-500</b>
Option 1	Stainless Steel	NTSM104XX2XX-XXXLX0-500
Option 2	Aluminum	NTSM104XX2XX-XXXAX0-500

Touch Interface		
	Description	Model Name
Option 1	USB+RS232 (Resistive Touch)	NTSM104X52XX-XXXXB0-500
Option 2	USB (Projected Capacitive Touch)	NTSM104XP2XX-XXXXU0-500
Option 3	Non-Touch	NTSM104X02XX-XXXX00-500

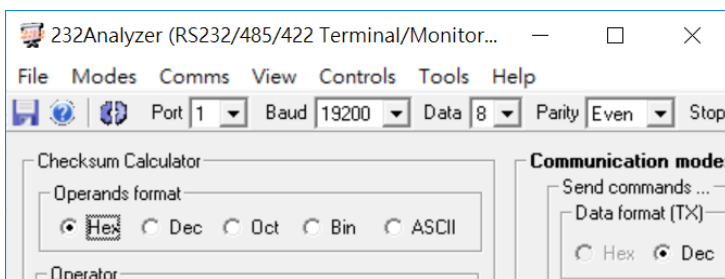
## Input /Output System



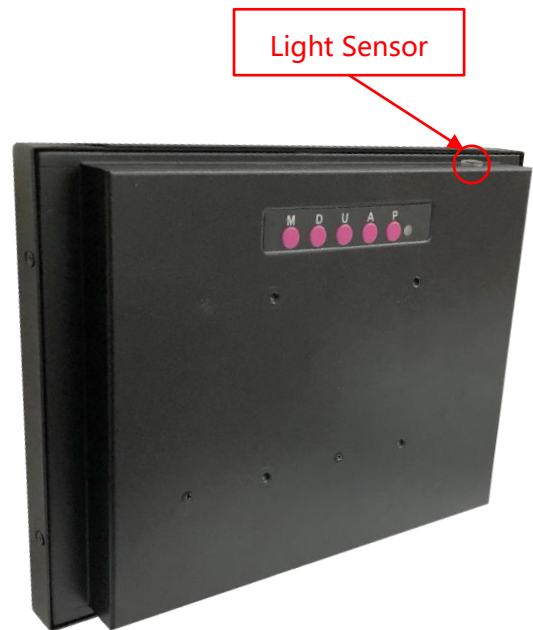


## Other Options

OSD Control		
	Item	Description
<b>Standard</b>	<b>Button</b>	<b>Rear Physical Button</b>
Option 1	Software Remote Control	Software Remote Control by RS232/Serial Port
Option 2	Auto Dimming	Auto Brightness Adjusting by Light Sensor



\* Software Remote Control



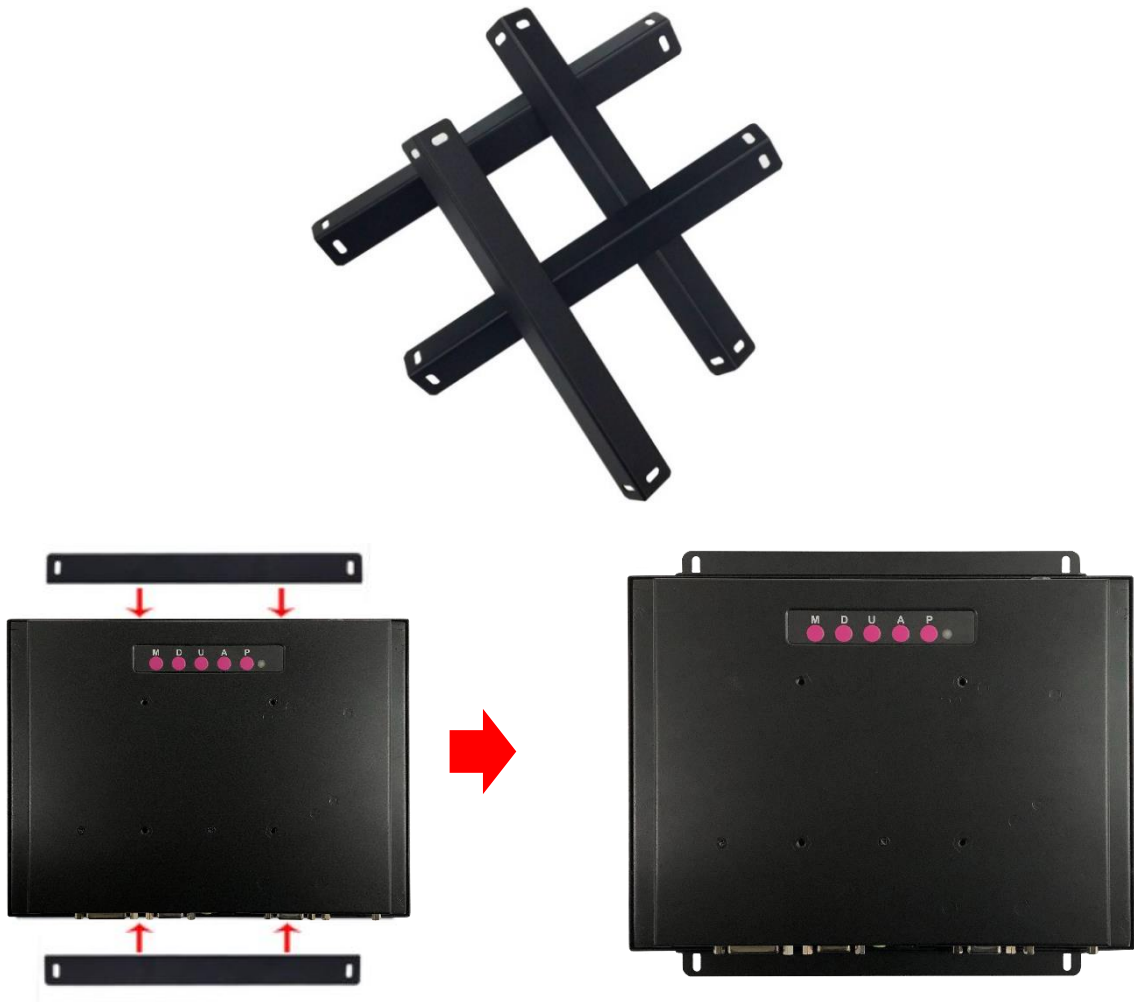
Passive Stylus Pen (Option)	
Technology	Passive High Sensitive Knitted Wire Mesh Fiber Tip
Size of tip	6mm
Magnetic Attachment	Yes



Magnetic Attachment



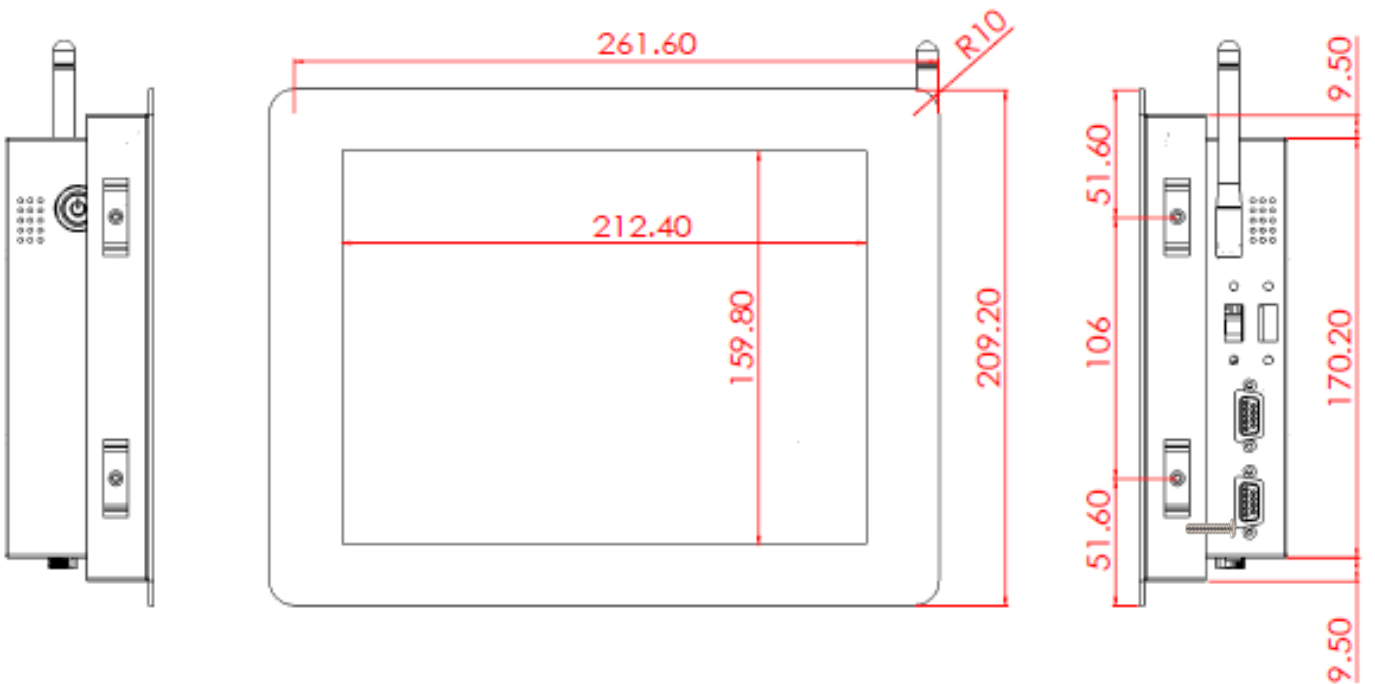
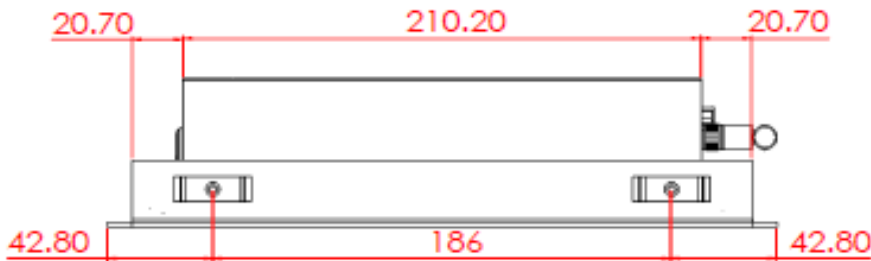
## Open-frame Brackets (Option)



Panel Mount Kits (Option)

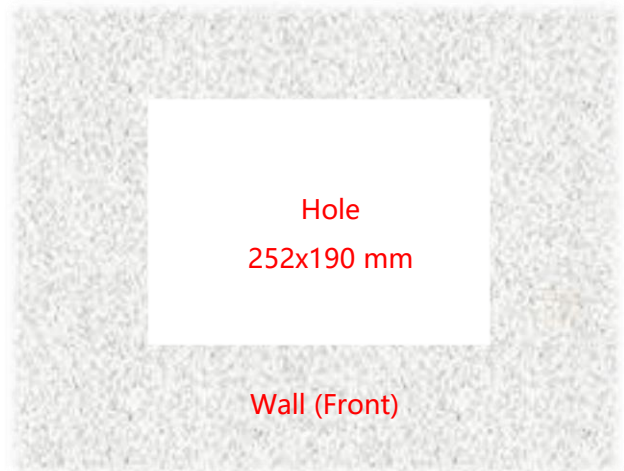


Dimension for Installing with Panel Mount Kits

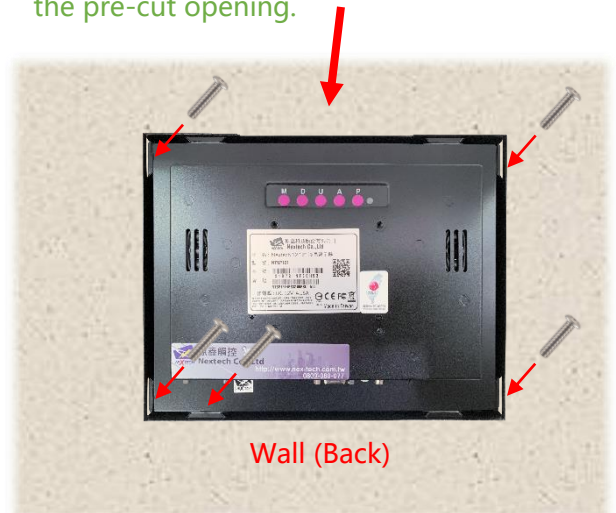




Step 1: Assemble the front module with the screen body. (This step is pre-assembled at the factory.)



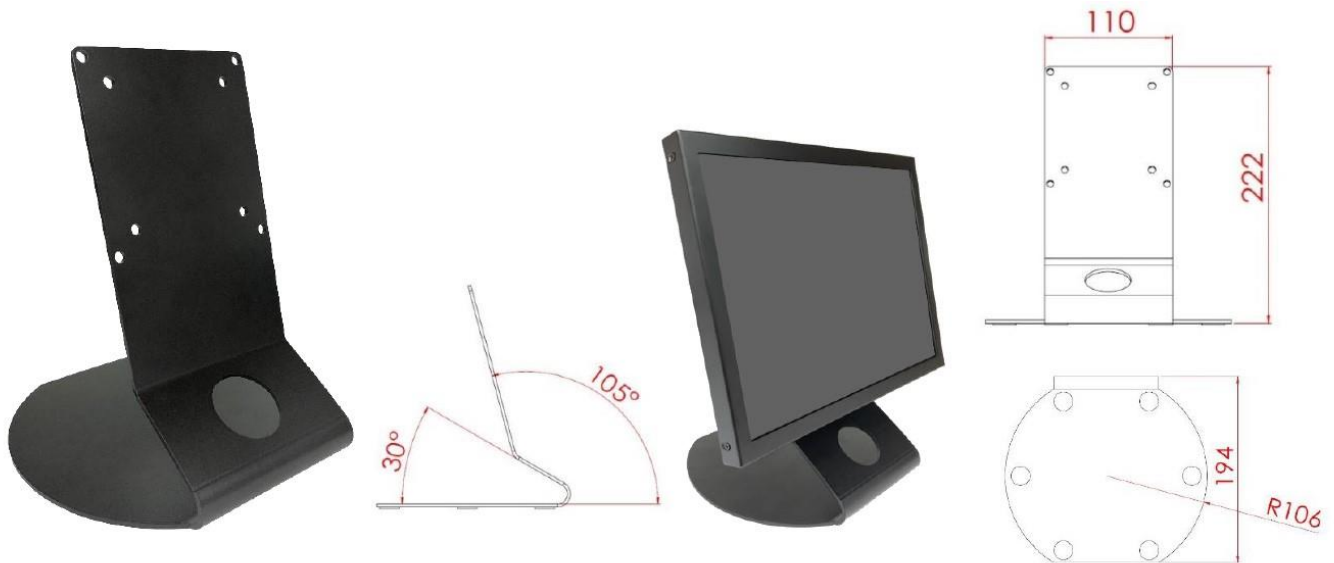
Step 2: Insert the screen from the front into the pre-cut opening.



Step 3: Attach the clips from the back and secure with screws. (Up to 10 clips can be installed as needed or per positional limitations.)

**Desktop Stand (Option)**

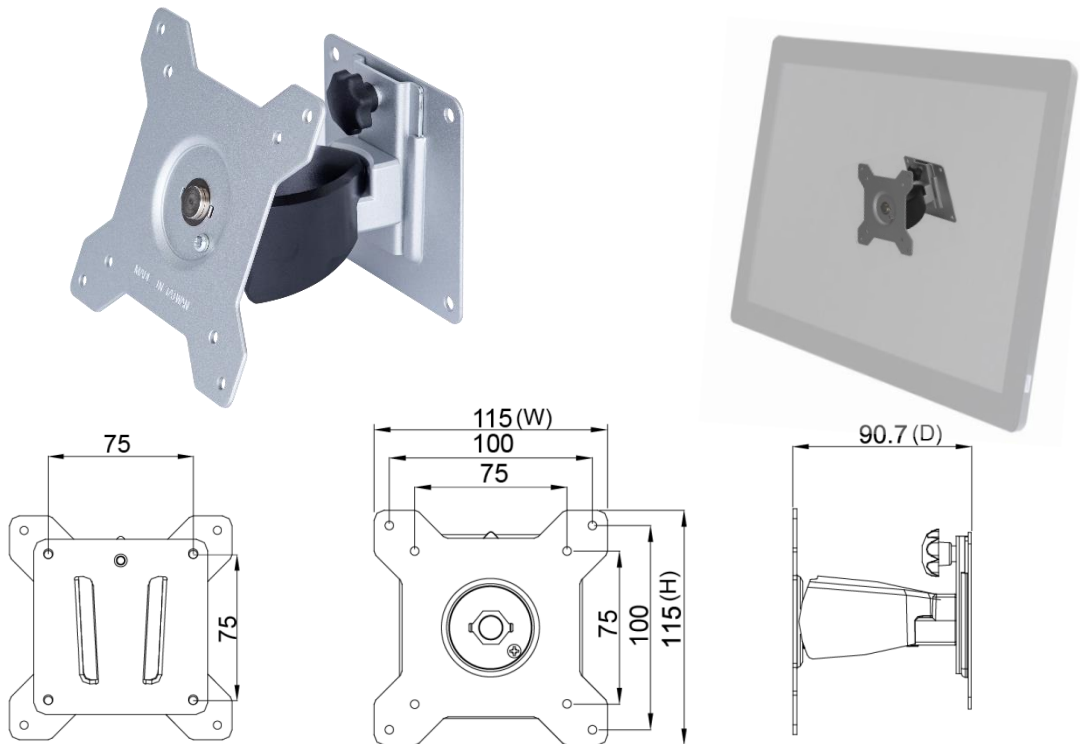
Item	L Stand	Part No.	DST-0B004/DST-1B004
Mounting Pattern	100x100 / 75x75 mm	Dimension (WxHxD)	194x194x222 mm
Material	SECC	Net Weight	1.4 KG
Tilt (Hinge)	105°	Support Max. Weight	15 KG



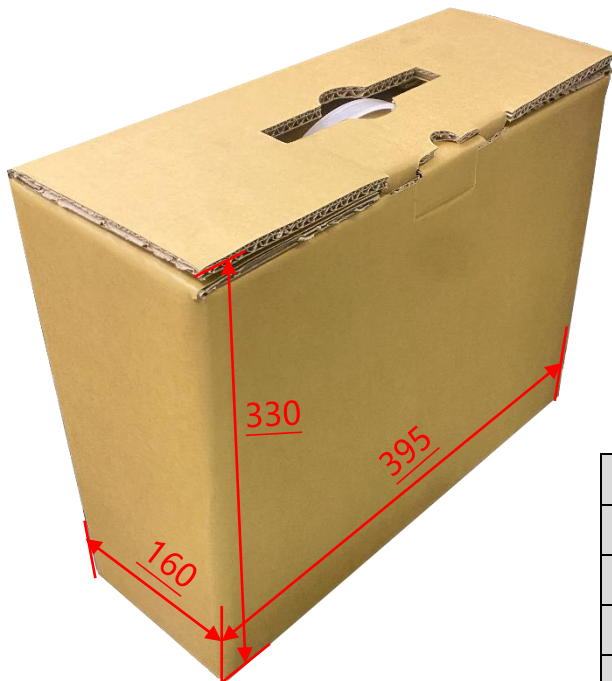
Item	B Stand	Part No.	DST-0B002/DST-1B002
Mounting Pattern	100x100 / 75x75 mm	Dimension (WxHxD)	203x275x227 mm
Material	Steel/Plastic/Aluminum	Net Weight	1.8 KG
Tilt (Hinge)	-2° ~ +180°	Support Max. Weight	15 KG



## Wall Mount Bracket (Option)



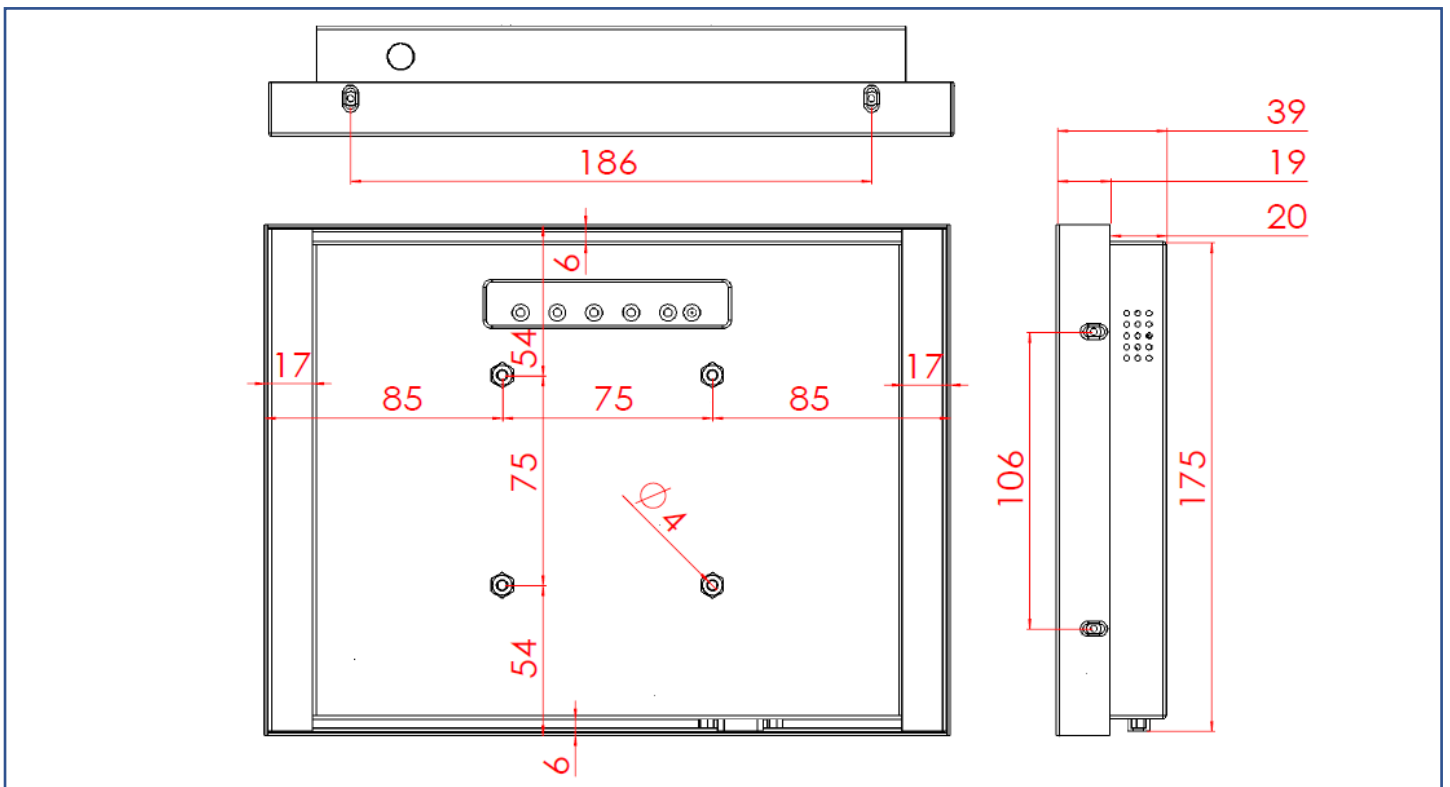
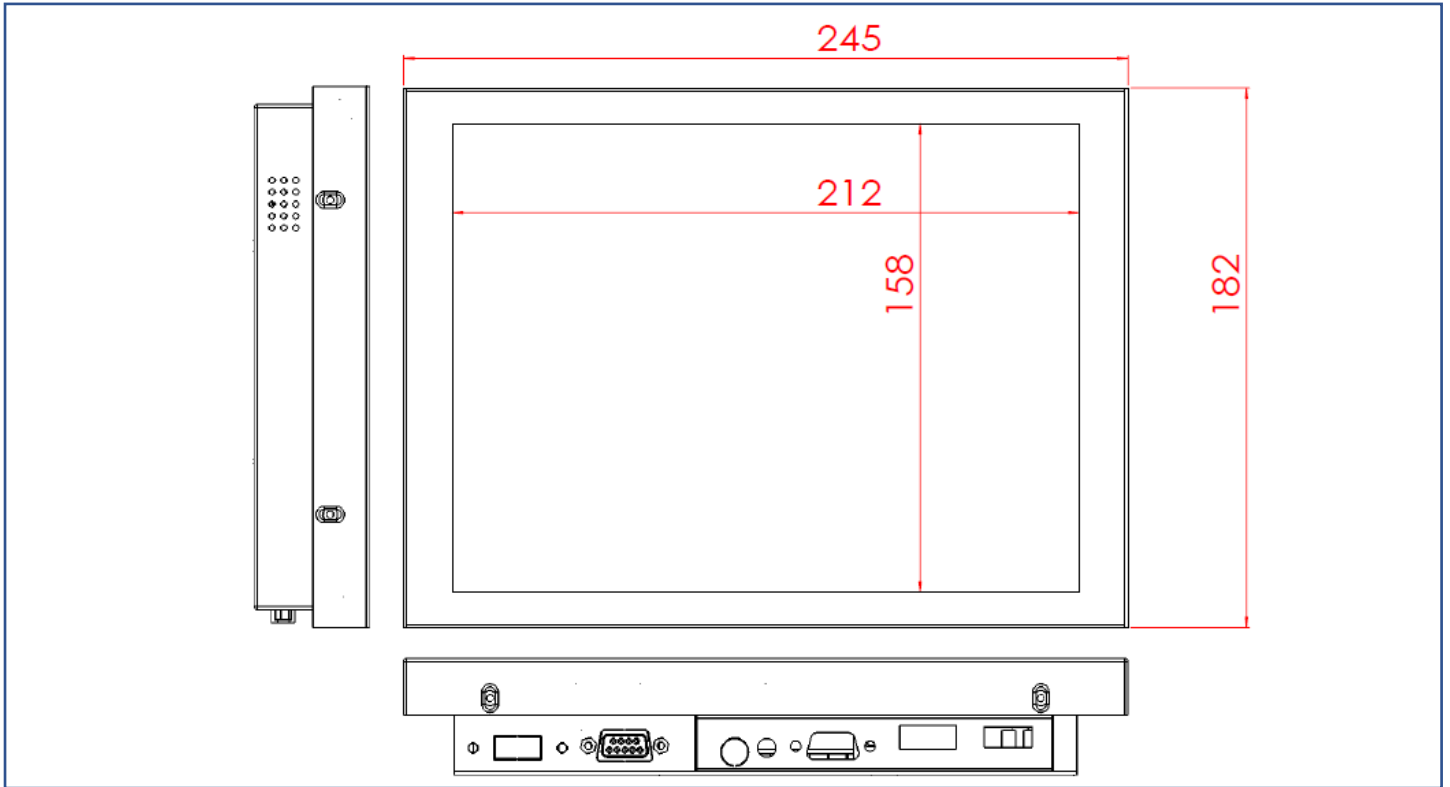
## Packing Information



Unit Carton Size	<b>395x160x330 mm</b>
Unit N. Weight	<b>≤1.5 KG</b>
Unit G. Weight	<b>≤2.6 KG</b>
Units per Pallet	<b>72 units</b>
Pallet Size	<b>120x100x142 CM</b>

## Physical Specifications

Dimension (Max)	<b>245x182x39(±2)mm</b>	Net Weight	<b>≤1.5 KG</b>
VESA Mounting	<b>75x75 mm</b>	Gross Weight	<b>≤2.6 KG</b>



## Cosmetic Inspection Standard

Display Area Allowance			
Defect description	Defective Specifications	Allowance	Remarks
Dot Defect (including dark dot, particles, bubbles, pits, dust, foreign matter)	$D \leq 0.2\text{mm}$	Ignored	D=Diameter
	$0.2 < D \leq 0.7\text{mm}$	$N \leq 5$	N=Quantity
	$0.7 < D \leq 1\text{mm}$	$N \leq 3$	
	$D > 1\text{mm}$	$N \leq 0$	
Linear Defect (including scratches, fluff, particles)	$W \leq 0.15\text{mm}$	Ignored	W=Width
	$0.15 < W \leq 0.5\text{mm}, L \leq 15\text{mm}$	$N \leq 2$	L=Length
	$W > 0.5\text{mm}$ or $L > 15\text{mm}$	NG	

\* Visual inspection distance: 60cm, 90 degree (same for front/side/back)

Front Appearance Allowance (Including Coating)			
Defect description	Defective Specifications	Allowance	Remarks
Dot Defect (including particles, bubbles, pits...etc.)	$D \leq 0.7\text{mm}$	Ignored	D=Diameter
	$0.7 < D \leq 1.5\text{mm}$	$N \leq 3$	N=Quantity
	$D > 1.5\text{mm}$	$N \leq 0$	
Linear Defect (including scratches, fluff, particles)	$W \leq 0.2\text{mm}, L \leq 15\text{mm}$	Ignored	W=Width, L=Length
	$0.2 < W \leq 0.7\text{mm}, L \leq 15\text{mm}$	$N \leq 1$	
	$W > 0.7\text{mm}$ or $L > 15\text{mm}$	NG	

Side / Back Appearance Allowance (Including Coating)			
Defect description	Defective Specifications	Allowance	Remarks
Dot Defect (including particles, bubbles, pits...etc.)	$D \leq 1.5\text{mm}$	Ignored	D=Diameter
	$1.5 < D \leq 3\text{mm}$	$N \leq 8$	N=Quantity
	$D > 3\text{mm}$	$N \leq 2$	
Linear Defect (including scratches, fluff, particles)	$W \leq 0.8\text{mm}, L \leq 15\text{mm}$	Ignored	W=Width, L=Length
	$0.8 < W \leq 1.5\text{mm}, L \leq 15\text{mm}$	$N \leq 5$	
	$W > 1.5\text{mm}$ or $L > 15\text{mm}$	NG	



Display Area  
(Red Area)



Front Appearance (Red Area)



Back Appearance