

Product Specifications

Customer	
Model	NTSI650-3 V600



Records of Revision			
Vision	Modifying	Old Description	New Description
v2407.1	Preliminary Specifications		

Features

- ★ 65 inch Industrial Grade Panel, 1920x1080 (FHD) Resolution
- ★ 2500nits High Brightness
- ★ VA Wide Viewing Angel 178°/178°
- ★ Optional I.R. Touch
- ★ 20 points Multi-touch, 7H Hardness Tempered Cover Glass
- ★ Metal Cabinet with Diverse Combine Options
- ★ Made in Taiwan, 3 Years Warranty
- ★ Optional Software Remote Control by RS232
- ★ Optional Auto Dimming Function (with Light Sensor)
- ★ Optional 12M pixel camera



PSE



BSMI



RoHS



CE



ISO9001



FCC



Wall Mounting



Cart



KIOSK Cabinet

Display Specifications

Model Name	NTSI650HX38A-XXXXXF-600*	Display Mode	Normally Black
Screen Diagonal	64.53 inch	Response Time	8 msec.
Display Area	1428.5x803.5 mm	Backlight Unit	LED (white LED)
Resolution	1920x1080 (FHD)	Viewing Angle (L/R, U/D)	178°/178° (CR=10)
Contrast Ratio	4000:1	Backlight Lifetime	>50,000 Hours
Display Ratio	16:9	Operating Temp.	0~50°C
Support Colors	1073M Colors	Storage Temp.	-20~60°C
Pixel Pitch	0.744x0.744 mm	Brightness	2500nits

* X = A~Z, 0~9 (Depends on options)

Accessories

Item	Description	Quantity
HDMI Cable	HDMI Male to Male, 1.8 Meter	1
Power Cord	*Country Specific	1
USB Cable	A type, Male to Male, 1.5 Meter*	1

Touch Options

Touch Screen		
	Description	Model Name
Standard	I.R. Touch	NTSI650H<u>I</u>38A-<u>XXXX</u><u>U</u>F-600
Option	Non-Touch	NTSI650H <u>0</u> 38A- <u>XXXX</u> <u>0</u> F-600

I.R Touch Specifications

I.R. Touch			
Touch Technology	I.R. Touch	Transparency	≥92%
Allowed Touch Points	20 points	Accuracy	99.00%
Interface	USB	Thickness of Cover Lens	4.0±0.2mm
IK Ratings	IK07	Hardness of Cover Lens	7H

Surface Treatment		
	Description	Model Name
Standard	(none)	NTSI650HX<u>3</u>8A-<u>00</u><u>XXXX</u><u>F</u>-600
Option	Anti-Glare Coating	NTSI650HX <u>3</u> 8A- <u>GG</u> <u>XXXX</u> <u>F</u> -600

Supported OS

Windows	Win7, Win8, Win10, Win11 ↑
Linux	Kernel 2.6.24 ↑
Android	3.0 ↑
Mac	10.5.x ↑ (Intel CPU)

General Options

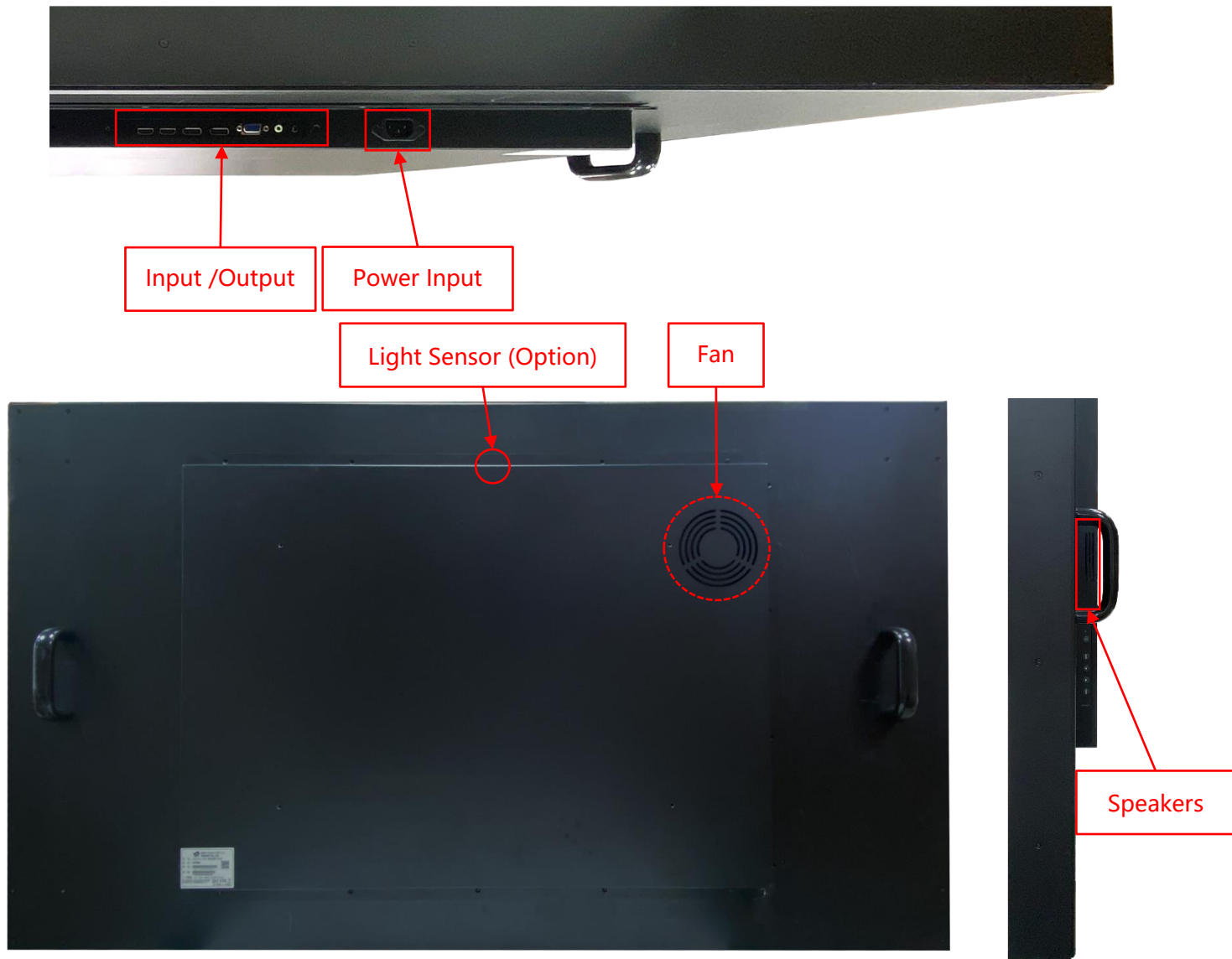
Color of Cabinet		
	Description	Model Name
Standard	Black	NTSI650HX38A-XXBXXF-600
Option 1	White	NTSI650HX38A-XX W XXF-600
Option 2	Silver	NTSI650HX38A-XX S XXF-600
Options	Other Colors	NTSI650HX38A- XXX XXF-600

* **X** = A~Z, 0~9 (Depends on Color)

Material of Cabinet		
	Description	Model Name
Standard	SECC	NTSI650HX38A-XXXSXF-600
Option 1	Stainless Steel	NTSI650HX38A- XXX L XF-600
Option 2	Aluminum	NTSI650HX38A- XXX A XF-600

Touch Interface		
	Description	Model Name
Standard	USB	NTSI650HI38A-XXXXUF-600
Option	Non-Touch	NTSI650H 0 38A- XXXX 0 F-600

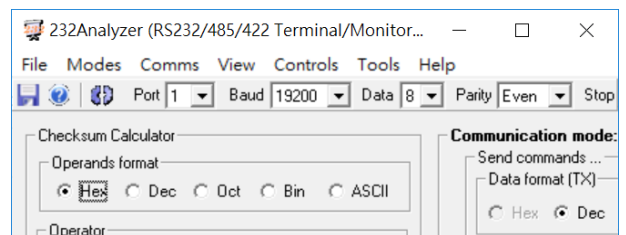
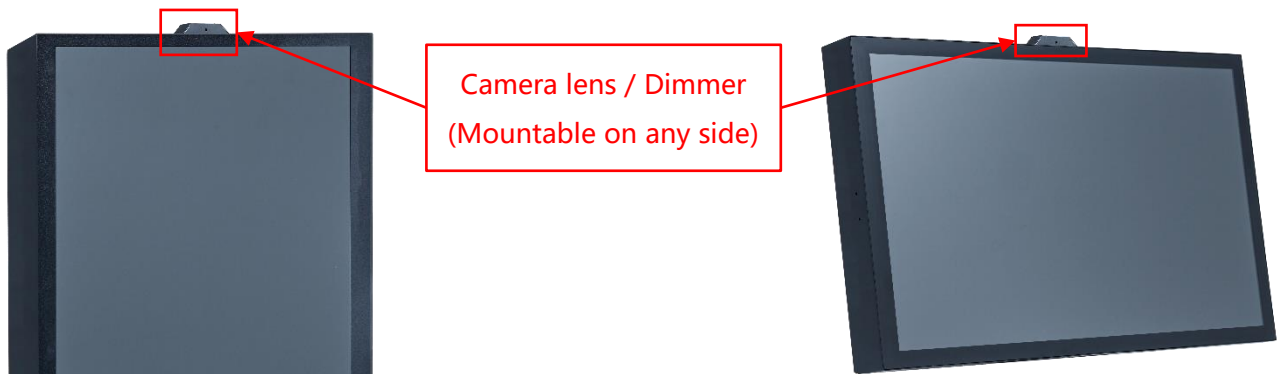
Input /Output



Input / Output	Connectors	Input / Output	Connectors
VGA Input	1	USB 2.0 Interface	1
HDMI Input	1	Speakers	10Wx2
DisplayPort Input	1	RS232	Option
Audio Input (3.5mm)	1	Light Sensor	Option
AC Power Input (C14)	1		

Other Options

OSD Control		
	Item	Description
Standard	Button	Rear Physical Button
Option	Software Remote Control	Software Remote Control by RS232/Serial Port
Option	Auto Dimming	Auto Brightness Adjusting by Light Sensor
Option	Camera lens	12 million pixels, maximum resolution of 3840x3104.



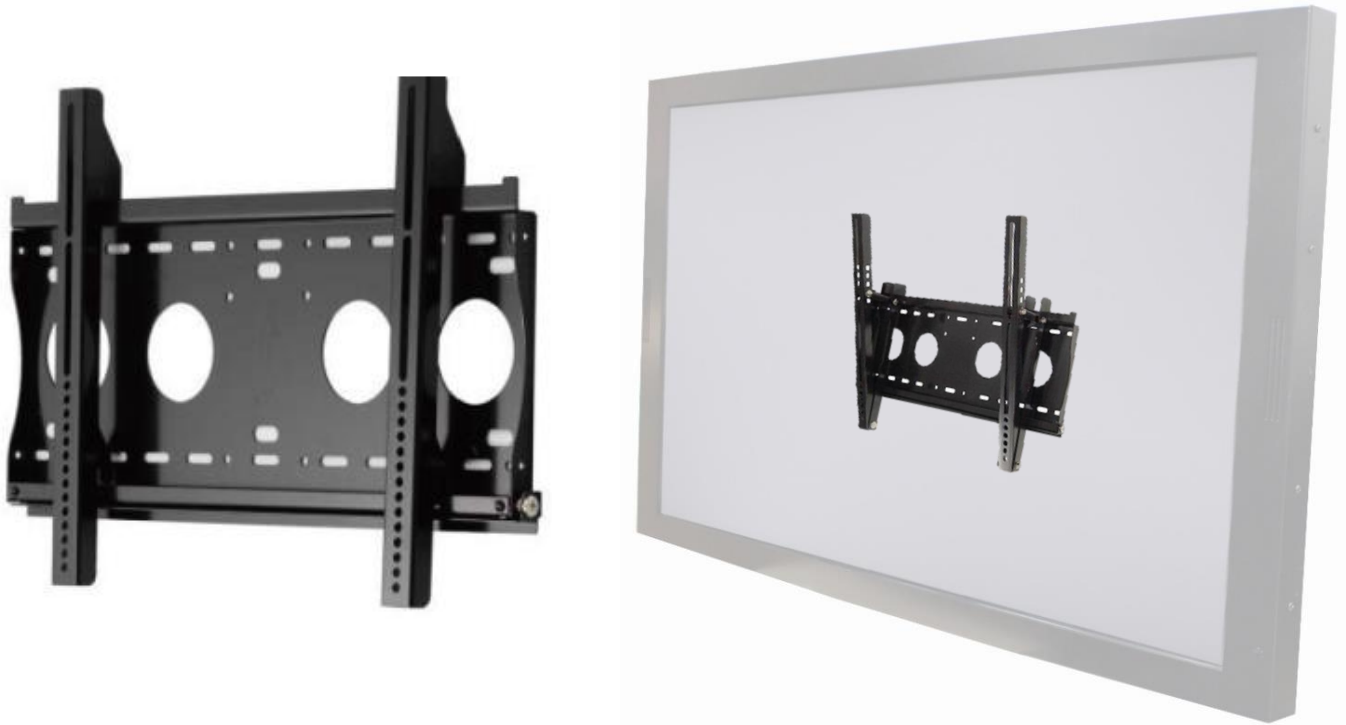
* Software Remote

Packing Information

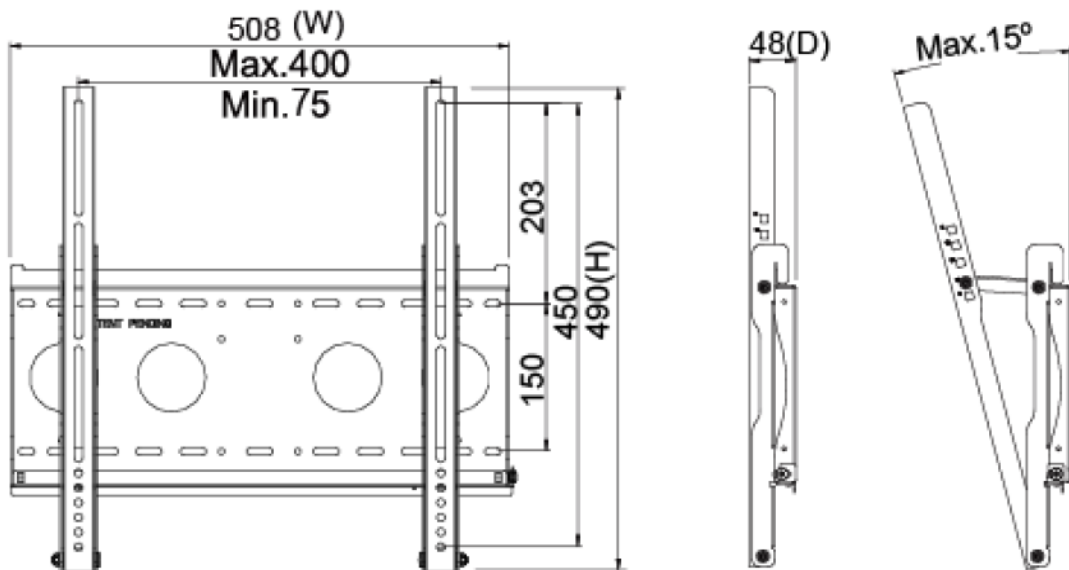


Dimensions of Carton	168x111x36 CM
Net Weight	≤ 71 KG
Gross Weight	≤ 95 KG

Wall Mount Bracket (Option)



Part No.	WMB-B001		
Mounting Pattern	Max. 400x450 mm	Dimension (WxHxD)	508x490x48 mm
Material	SECC	Net Weight	4.01 KG
Tilt (Hinge)	0°/5°/10°/13°/15°	Support Max. Weight	80 KG
Screw Type	M4/M5/M6/M8	Min. Distance to The Wall	48 mm



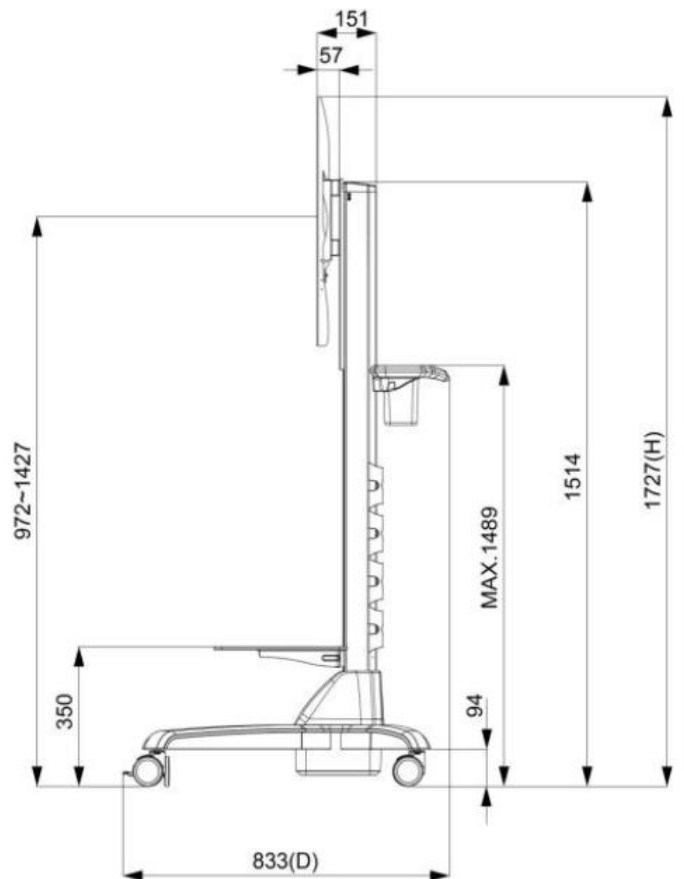
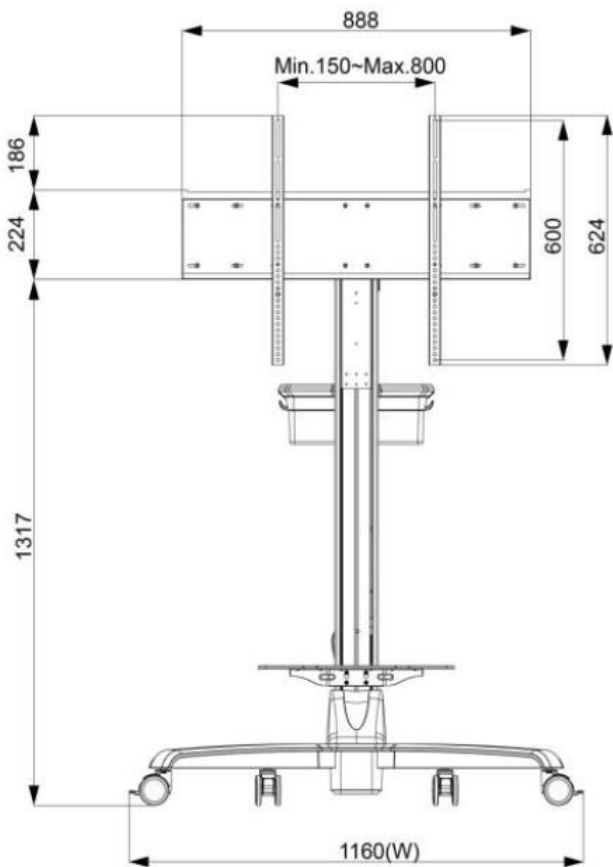
Nextech I Series 65" Industrial Display/Touch Display

NTSI650-3 V600

Cart (Option)



Net Weight	28.4 KG
Power System	AC 200~240V 50/60Hz
User Interface	Button (up/down)
Packaged Dimension	W1545xD383xH392 mm
Screw Type	M4/M5/M6/M8
Material	Aluminum/Plastic/Steel
Max. Mount Pattern	800x600mm
Max. Weight Load	80 KG
Caster	4 (front 2 braking)
Height Adjust Range	455 mm
RoHS/REACH	Yes



KIOSK Cabinet (Option)



Material	SECC
Caster	4 (front 2 braking)
Ingress Protection	Front IP65
Power Socket	None (Wire Hole Reserved)



