

# Product Specifications

<b>Customer</b>	
<b>Model</b>	<b>NTOD215-6 V500</b>



Records of Revision			
Vision	Vision	Vision	Vision
v2405.1	Preliminary Specification		
<b>v2405.2</b>	<b>Modify Cabinet Design</b>		

# Nextech OD Series 21.5" Industrial Waterproof Touch Monitor

**NTOD215-6 V500**

## Features

- ★ 21.5 inch Industrial Grade Panel, 1920x1080 (FHD) Resolution
- ★ 1500nits High Brightness
- ★ Wide Viewing Angle Technology , 178°/178°
- ★ Operating Temperature Range -20~70°C
- ★ IP68/69K Level Waterproof Enclosure
- ★ Stainless Steel Cabinet
- ★ AG Coating and Anti-UV Surface Treatment
- ★ HDMI Video Input
- ★ Optional Resistive/Capacitive Touch Options
- ★ Optional High Brightness 1500nits, for Outdoor Environment
- ★ Optional Auto Dimming Function (with Light Sensor)
- ★ Made in Taiwan, 3 Years Warranty, Designed for Harsh Environments



PSE



BSMI



RoHS



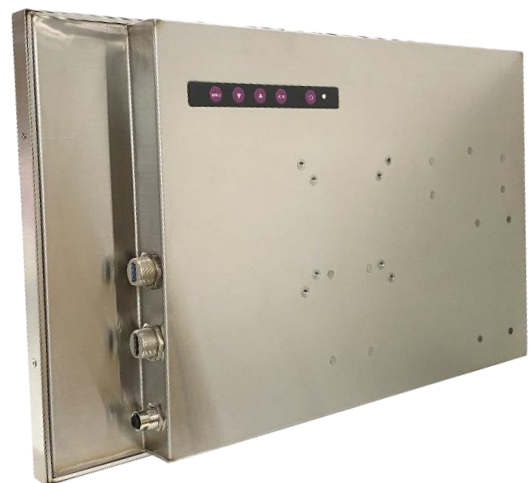
CE



ISO9001



FCC



## Display Specifications

Model Name	<b>NTOD215H<u>X</u>6DA-GGSL<u>X</u>0-500*</b>	Display Mode	<b>Normally Black</b>
Screen Diagonal	<b>21.5 inch</b>	Response Time	<b>14 msec.</b>
Display Area	<b>476.6x268.1 mm</b>	Backlight Unit	<b>LED (white LED)</b>
Resolution	<b>1920x1080 (FHD)</b>	Viewing Angle (L/R, U/D)	<b>178°/178° (CR=10)</b>
Contrast Ratio	<b>1000:1</b>	Backlight Lifetime	<b>&gt;30,000 Hours</b>
Display Ratio	<b>16:9</b>	Operating Temp.	<b>-20~70°C</b>
Support Colors	<b>16.7M Colors</b>	Storage Temp.	<b>-30~80°C</b>
Pixel Pitch	<b>0.24825x0.24825 mm</b>	Brightness	<b>1500nits</b>

\* X = A~Z, 0~9 (Depends on options)

## Touch Options

Projected Capacitive			
Model Name	NTOD215H <u>P</u> 6DA-GGSL <u>U</u> 0-500		
Touch Technology	Projected Capacitive	Transparency	≥87%
Allowed Touch Points	10 points	Surface Treatment	Anti-Glare and UV Coating
Transparency	USB/RS232 (Option)	Thickness of Cover Lens	2.9±0.2mm
IK Ratings	IK07	Hardness of Cover Lens	7H

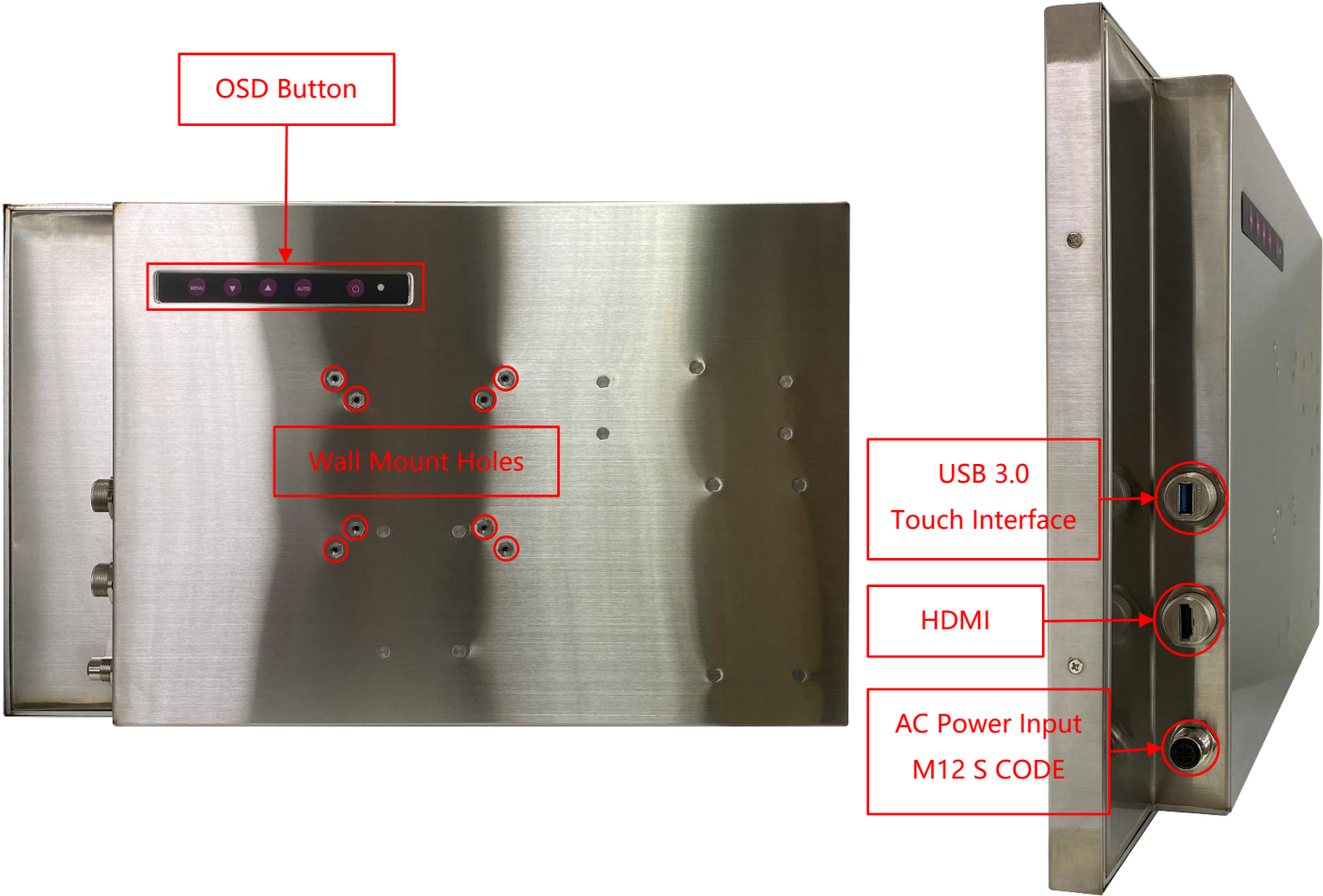
Resistive			
Model Name	NTOD215H <u>5</u> 6DA-GGSL <u>U</u> 0-500		
Touch Technology	Resistive	Transparency	80%±5%
Allowed Touch Points	Single point	Surface Treatment	AG Coating
Transparency	USB	Hardness of Cover Lens	≥3H

Non-Touch	
Model Name	NTOD215H <u>0</u> 6DA-GGSL <u>0</u> 0-500

### Input /Output System



Light Sensor  
(Option)



OSD Button

Wall Mount Holes

USB 3.0  
Touch Interface

HDMI

AC Power Input  
M12 S CODE

# Nextech OD Series 21.5" Industrial Waterproof Touch Monitor

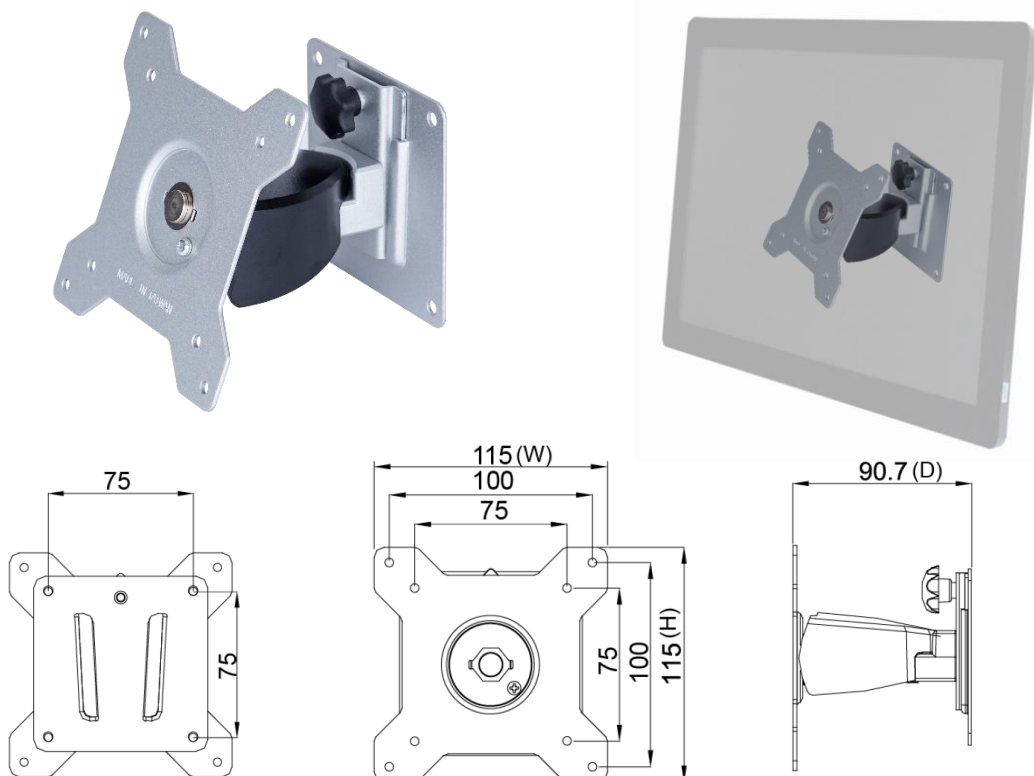
**NTOD215-6 V500**

## Desktop Stand (Option)

Item	B Stand	Part No.	DST-0B002/DST-1B002
Mounting Pattern	100x100 / 75x75 mm	Dimension (WxHxD)	203x275x227 mm
Material	Steel/Plastic/Aluminum	Net Weight	1.8 KG
Tilt (Hinge)	-2° ~ +180°	Support Max. Weight	15 KG



## Wall Mount Bracket (Option)



## Packing Information



Unit Carton Size	<b>677x161x440 mm</b>
Unit N. Weight	<b>≤6.8 KG</b>
Unit G. Weight	<b>≤8.6 KG</b>
Units per Pallet	<b>30 units</b>
Pallet Size	<b>120x100x147 CM</b>

## Accessories

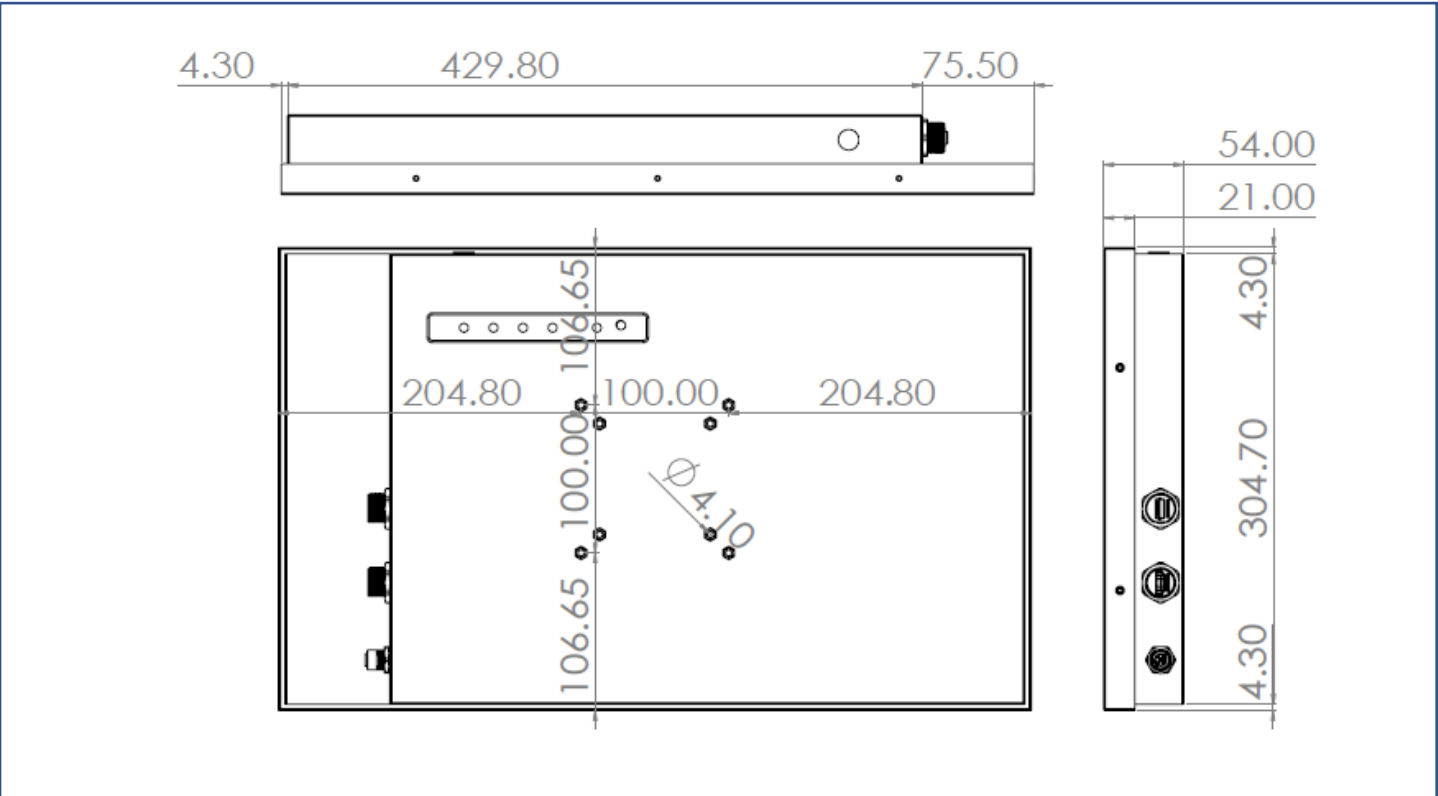
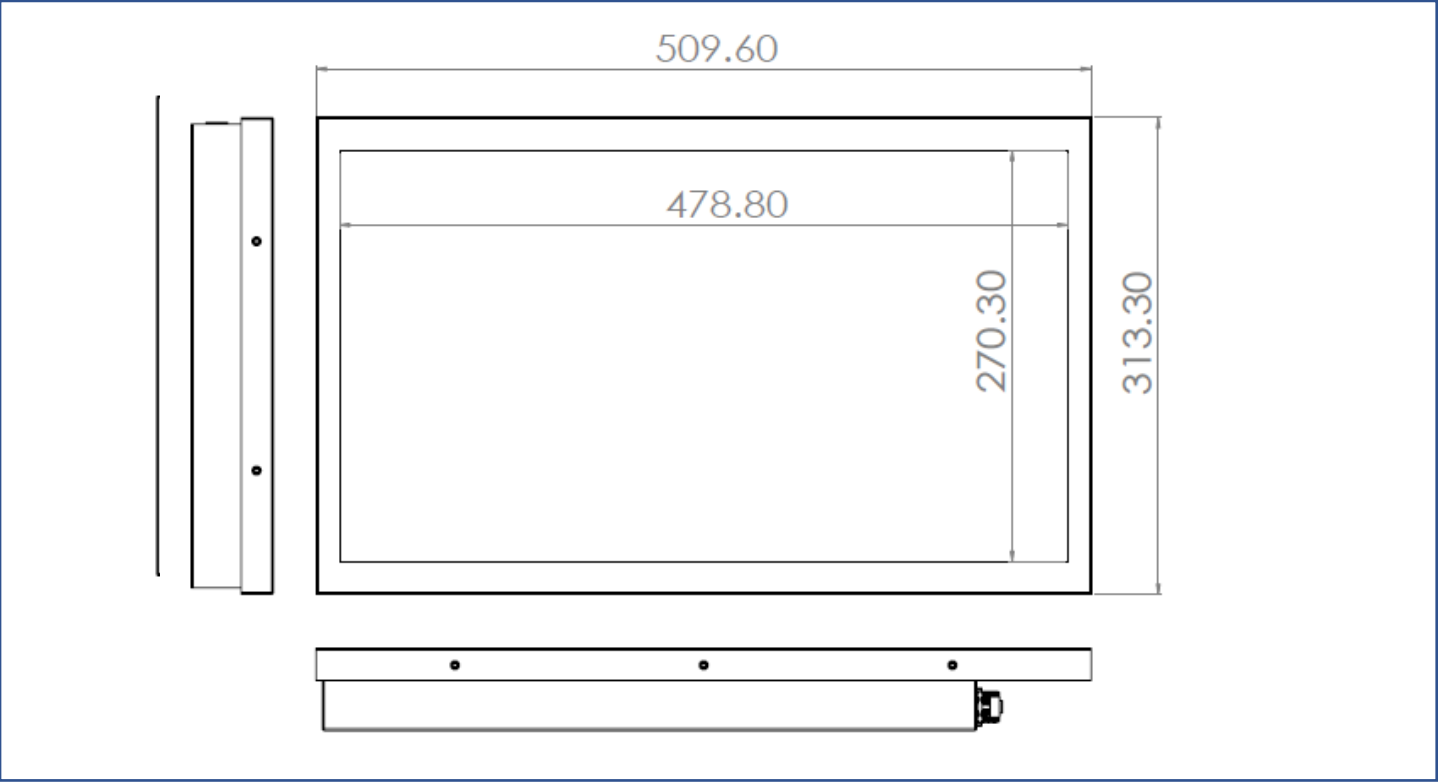
Item	Description	Quantity
HDMI Cable	<b>HDMI Waterproof Connector, 2M</b>	<b>1</b>
USB Cable	<b>USB 3.0 Waterproof Connector, 2M</b>	<b>1</b>
Power cord	<b>*Country Specific</b>	<b>1</b>

## Supported OS

Windows	<b>Win7, Win8, Win10, Win11 ↑</b>
Linux	<b>Kernel 2.6.24 ↑</b>
Android	<b>3.0 ↑</b>
Mac	<b>10.5.x ↑ (Intel CPU)</b>

### Physical Specifications

Dimension (Max)	<b>509.6x315.3x51(±2)mm</b>	Net Weight	<b>≤6.8 KG</b>
VESA Mounting	<b>100x100 mm</b>	Gross Weight	<b>≤8.6 KG</b>



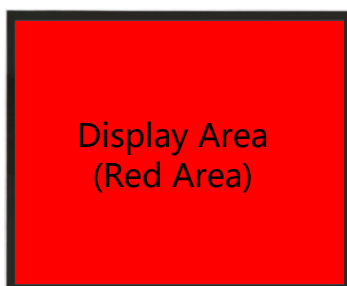
## Cosmetic Inspection Standard

Display Area Allowance			
Defect description	Defective Specifications	Allowance	Remarks
Dot Defect (including dark dot, particles, bubbles, pits, dust, foreign matter)	$D \leq 0.2\text{mm}$	Ignored	D=Diameter
	$0.2 < D \leq 0.7\text{mm}$	$N \leq 5$	N=Quantity
	$0.7 < D \leq 1\text{mm}$	$N \leq 3$	
	$D > 1\text{mm}$	$N \leq 0$	
Linear Defect (including scratches, fluff, particles)	$W \leq 0.15\text{mm}$	Ignored	W=Width
	$0.15 < W \leq 0.5\text{mm}, L \leq 15\text{mm}$	$N \leq 2$	L=Length
	$W > 0.5\text{mm}$ or $L > 15\text{mm}$	NG	

\* Visual inspection distance: 60cm, 90 degree (same for front/side/back)

Front Appearance Allowance (Including Coating)			
Defect description	Defective Specifications	Allowance	Remarks
Dot Defect (including particles, bubbles, pits...etc.)	$D \leq 0.7\text{mm}$	Ignored	D=Diameter
	$0.7 < D \leq 1.5\text{mm}$	$N \leq 3$	N=Quantity
	$D > 1.5\text{mm}$	$N \leq 0$	
Linear Defect (including scratches, fluff, particles)	$W \leq 0.2\text{mm}, L \leq 15\text{mm}$	Ignored	W=Width, L=Length
	$0.2 < W \leq 0.7\text{mm}, L \leq 15\text{mm}$	$N \leq 1$	
	$W > 0.7\text{mm}$ or $L > 15\text{mm}$	NG	

Side / Back Appearance Allowance (Including Coating)			
Defect description	Defective Specifications	Allowance	Remarks
Dot Defect (including particles, bubbles, pits...etc.)	$D \leq 1.5\text{mm}$	Ignored	D=Diameter
	$1.5 < D \leq 3\text{mm}$	$N \leq 8$	N=Quantity
	$D > 3\text{mm}$	$N \leq 2$	
Linear Defect (including scratches, fluff, particles)	$W \leq 0.8\text{mm}, L \leq 15\text{mm}$	Ignored	W=Width, L=Length
	$0.8 < W \leq 1.5\text{mm}, L \leq 15\text{mm}$	$N \leq 5$	
	$W > 1.5\text{mm}$ or $L > 15\text{mm}$	NG	



Display Area  
(Red Area)



Front Appearance (Red Area)



Back Appearance