

Product Specifications

Customer	
Model	NTOD190 V500



Records of Revision			
Vision	Modifying	Old Description	New Description
v2409.1	Preliminary Specification		

Nextech OD Series 19" Industrial Waterproof Touch Monitor

NTOD190 V500

Features

- ★ 19 inch Industrial Grade Panel, 1280x1024 Resolution
- ★ Operating Temperature Range -30~85°C
- ★ IP68/69K Level Waterproof Enclosure
- ★ Stainless Steel Cabinet
- ★ AG Coating Surface Treatment
- ★ HDMI Video Input
- ★ Optional Resistive/Capacitive Touch Options
- ★ Optional High Brightness 1500nits, for Outdoor Environment
- ★ Optional Auto Dimming Function (with Light Sensor)
- ★ Made in Taiwan, 3 Years Warranty, Designed for Harsh Environments



PSE



BSMI



ISO9001



FCC



Nextech OD Series 19" Industrial Waterproof Touch Monitor

NTOD190 V500

Display Specifications

Model Name	NTOD190XX2DA-GGSLX0-500*	Display Mode	TN Mode, Normally White
Screen Diagonal	482.6 mm (19.0 inch)	Response Time	10 msec.
Display Area	376.3x301.1 mm	Backlight Unit	LED (white LED)
Resolution	1280x1024 (SXGA)	Viewing Angle (L/R, U/D)	170°/160°
Contrast Ratio	1000:1	Backlight Lifetime	>50,000 Hours
Display Ratio	4:3	Operating Temp.	-30~85°C
Support Colors	16.7M Colors	Storage Temp.	-30~85°C
Pixel Pitch	0.294x0.294 mm		

* X = A~Z, 0~9 (Depends on options)

Display Options

Brightness			
	Brightness	Environment	Model Name
Standard	350nits	General (Indoor)	NTOD190NX2DA-GGSLX0-500
Option 1	1000nits	Outdoor Environment	NTOD190AX2DA-GGSLX0-500
Option 2	1500nits	Sunlight Readable	NTOD190FX2DA-GGSLX0-500

Accessories

Item	Description	Quantity
HDMI Cable	HDMI Waterproof Connector, 2M	1
USB Cable	USB 3.0 Waterproof Connector, 2M	1
Power cord	*Country Specific	1

Touch Options

Projected Capacitive			
Model Name	NTOD190X <u>P</u> 2DA-GGSL <u>U</u> 0-500		
Touch Technology	Projected Capacitive	Transparency	≥87%
Allowed Touch Points	10 points	Surface Treatment	AG Coating
Transparency	USB	Thickness of Cover Lens	2.0±0.2mm
IK Ratings	IK07	Hardness of Cover Lens	7H

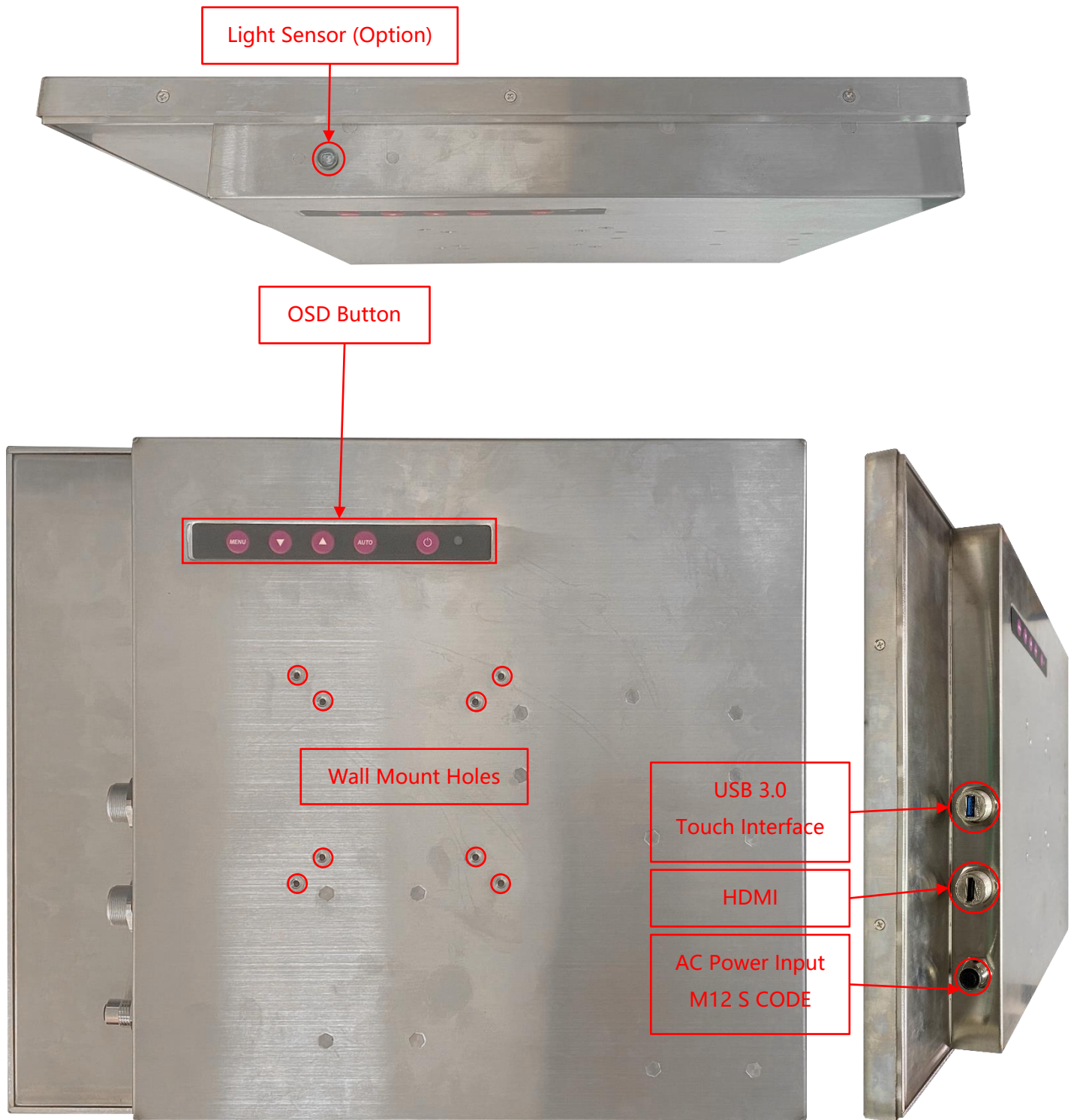
Resistive			
Model Name	NTOD190X <u>5</u> 2DA-GGSL <u>U</u> 0-500		
Touch Technology	Resistive	Transparency	80%±5%
Allowed Touch Points	Single point	Surface Treatment	AG Coating
Transparency	USB	Hardness of Cover Lens	≥3H

Non-Touch	
Model Name	NTOD190X <u>0</u> 2DA-GGSL <u>0</u> 0-500

Supported OS

Windows	Win7, Win8, Win10, Win11 ↑
Linux	Kernel 2.6.24 ↑
Android	3.0 ↑
Mac	10.5.x ↑ (Intel CPU)

Input /Output System



Nextech OD Series 19" Industrial Waterproof Touch Monitor

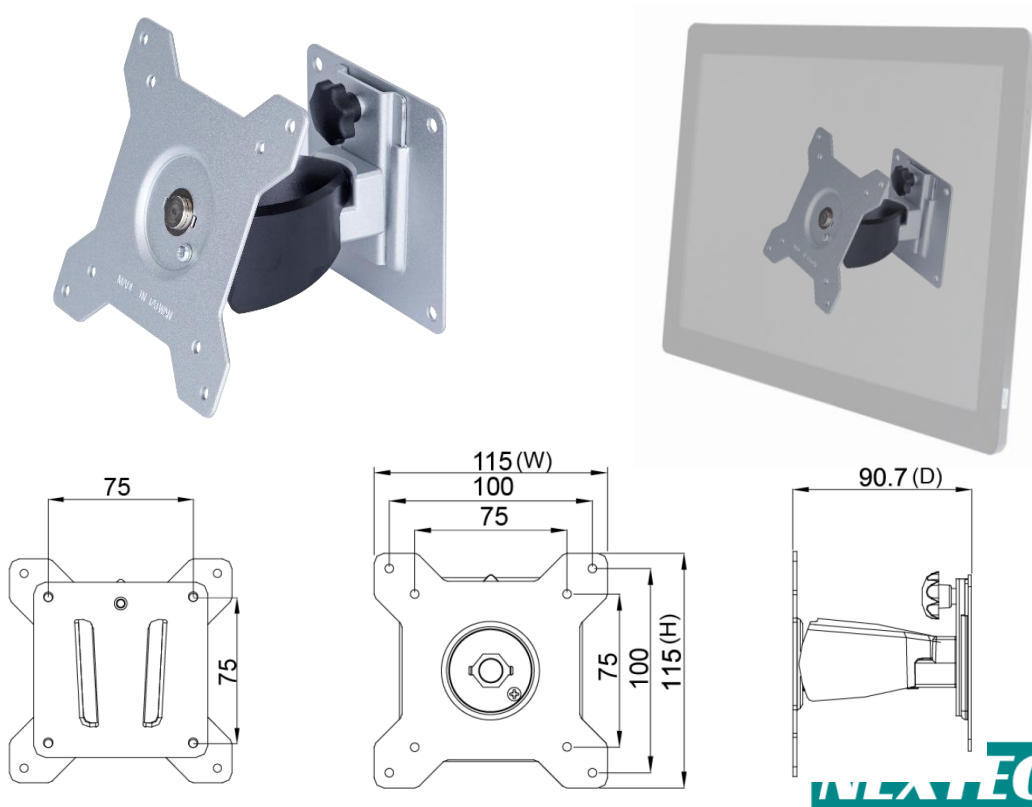
NTOD190 V500

Desktop Stand (Option)

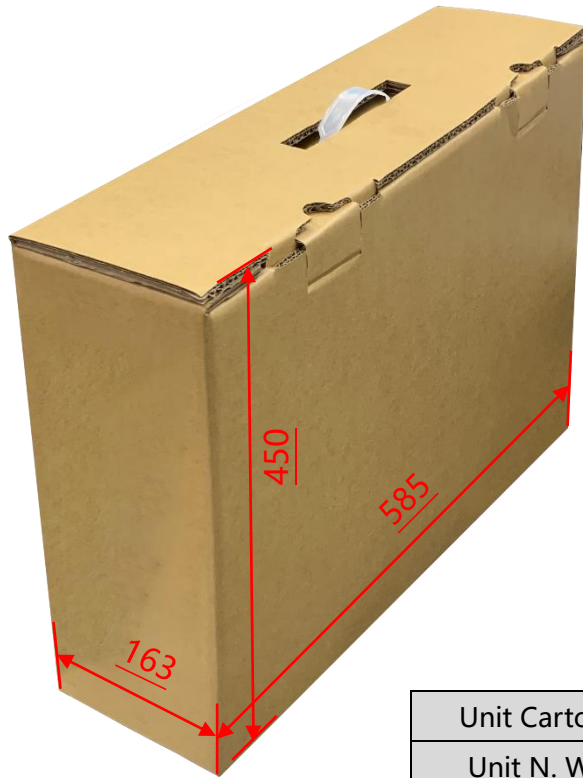
Item	B Stand	Part No.	DST-0B002/DST-1B002
Mounting Pattern	100x100 / 75x75 mm	Dimension (WxHxD)	203x275x227 mm
Material	Steel/Plastic/Aluminum	Net Weight	1.8 KG
Tilt (Hinge)	-2° ~ +180°	Support Max. Weight	15 KG



Wall Mount Bracket (Option)



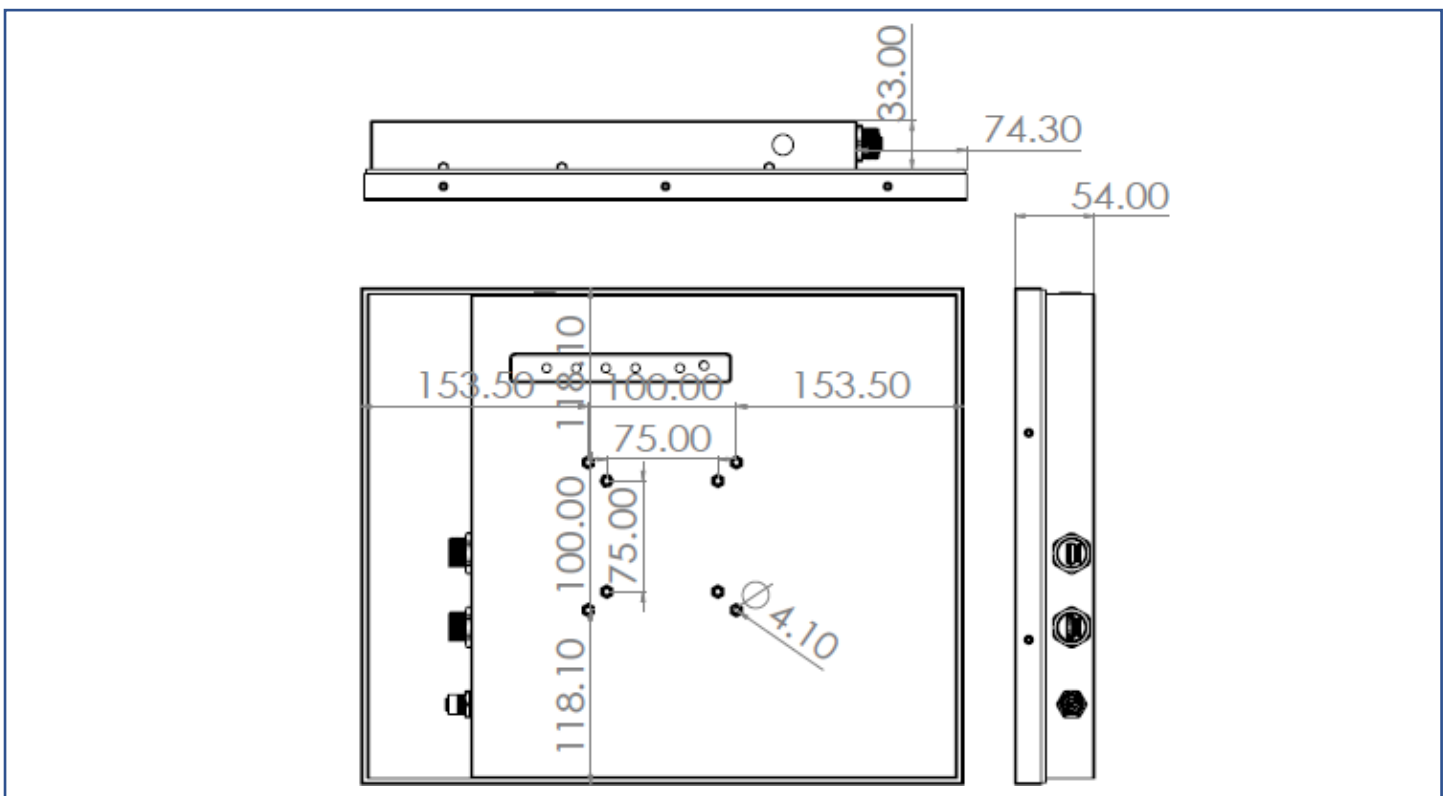
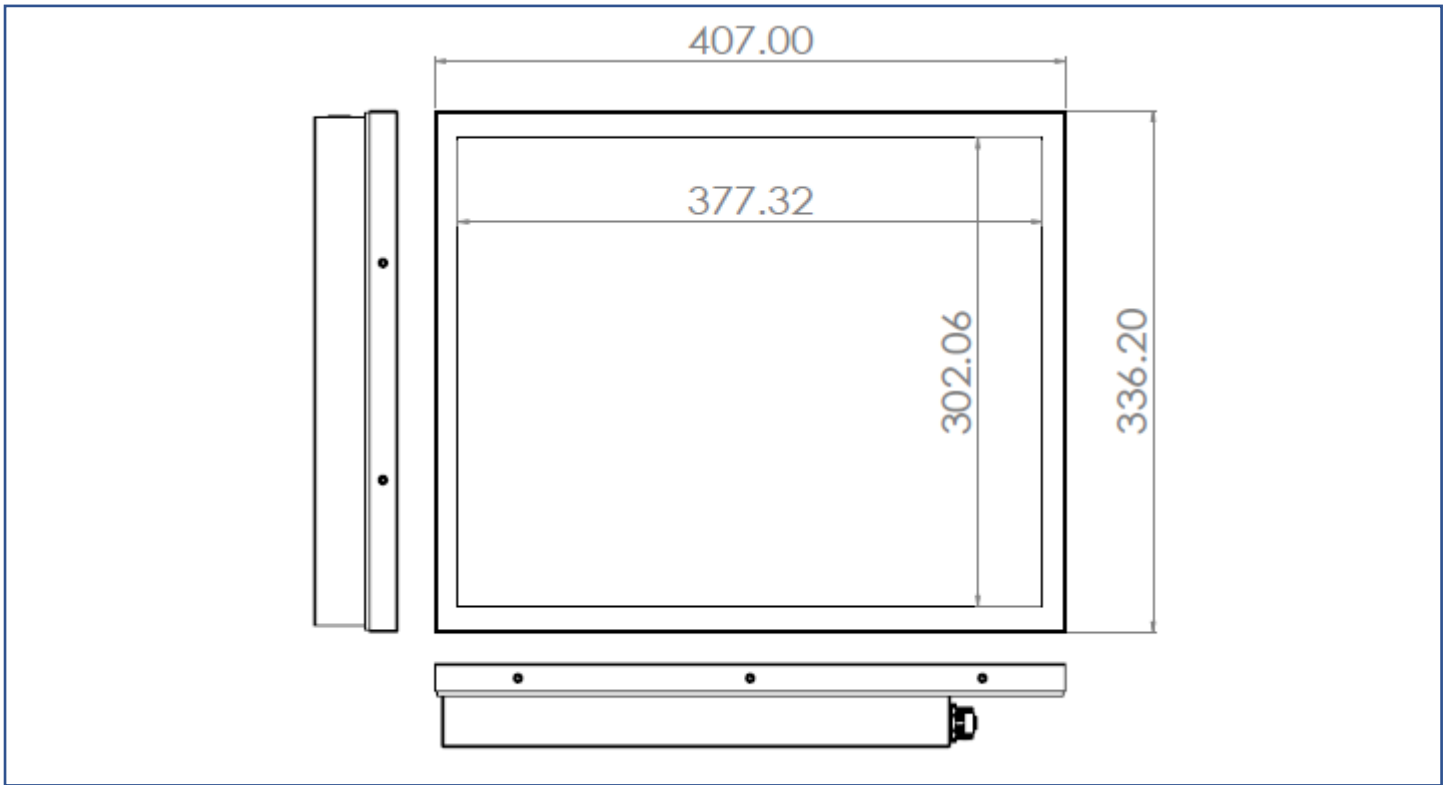
Packing Information



Unit Carton Size	585x163x450 mm
Unit N. Weight	≤5.6 KG
Unit G. Weight	≤7.0 KG
Units per Pallet	36 units
Pallet Size	120x100x147 CM

Physical Specifications

Dimension (Max)	407x336.2x54(±2)mm	Net Weight	≤5.6 KG
VESA Mounting	75x75/100x100 mm	Gross Weight	≤7.0 KG



Cosmetic Inspection Standard

Display Area Allowance			
Defect description	Defective Specifications	Allowance	Remarks
Dot Defect (including dark dot, particles, bubbles, pits, dust, foreign matter)	$D \leq 0.2\text{mm}$	Ignored	D=Diameter
	$0.2 < D \leq 0.7\text{mm}$	$N \leq 5$	N=Quantity
	$0.7 < D \leq 1\text{mm}$	$N \leq 3$	
	$D > 1\text{mm}$	$N \leq 0$	
Linear Defect (including scratches, fluff, particles)	$W \leq 0.15\text{mm}$	Ignored	W=Width
	$0.15 < W \leq 0.5\text{mm}, L \leq 15\text{mm}$	$N \leq 2$	L=Length
	$W > 0.5\text{mm}$ or $L > 15\text{mm}$	NG	

* Visual inspection distance: 60cm, 90 degree (same for front/side/back)

Front Appearance Allowance (Including Coating)			
Defect description	Defective Specifications	Allowance	Remarks
Dot Defect (including particles, bubbles, pits...etc.)	$D \leq 0.7\text{mm}$	Ignored	D=Diameter
	$0.7 < D \leq 1.5\text{mm}$	$N \leq 3$	N=Quantity
	$D > 1.5\text{mm}$	$N \leq 0$	
Linear Defect (including scratches, fluff, particles)	$W \leq 0.2\text{mm}, L \leq 15\text{mm}$	Ignored	W=Width, L=Length
	$0.2 < W \leq 0.7\text{mm}, L \leq 15\text{mm}$	$N \leq 1$	
	$W > 0.7\text{mm}$ or $L > 15\text{mm}$	NG	

Side / Back Appearance Allowance (Including Coating)			
Defect description	Defective Specifications	Allowance	Remarks
Dot Defect (including particles, bubbles, pits...etc.)	$D \leq 1.5\text{mm}$	Ignored	D=Diameter
	$1.5 < D \leq 3\text{mm}$	$N \leq 8$	N=Quantity
	$D > 3\text{mm}$	$N \leq 2$	
Linear Defect (including scratches, fluff, particles)	$W \leq 0.8\text{mm}, L \leq 15\text{mm}$	Ignored	W=Width, L=Length
	$0.8 < W \leq 1.5\text{mm}, L \leq 15\text{mm}$	$N \leq 5$	
	$W > 1.5\text{mm}$ or $L > 15\text{mm}$	NG	



Display Area
(Red Area)



Front Appearance (Red Area)



Back Appearance