



Nextech MM Series Specifications

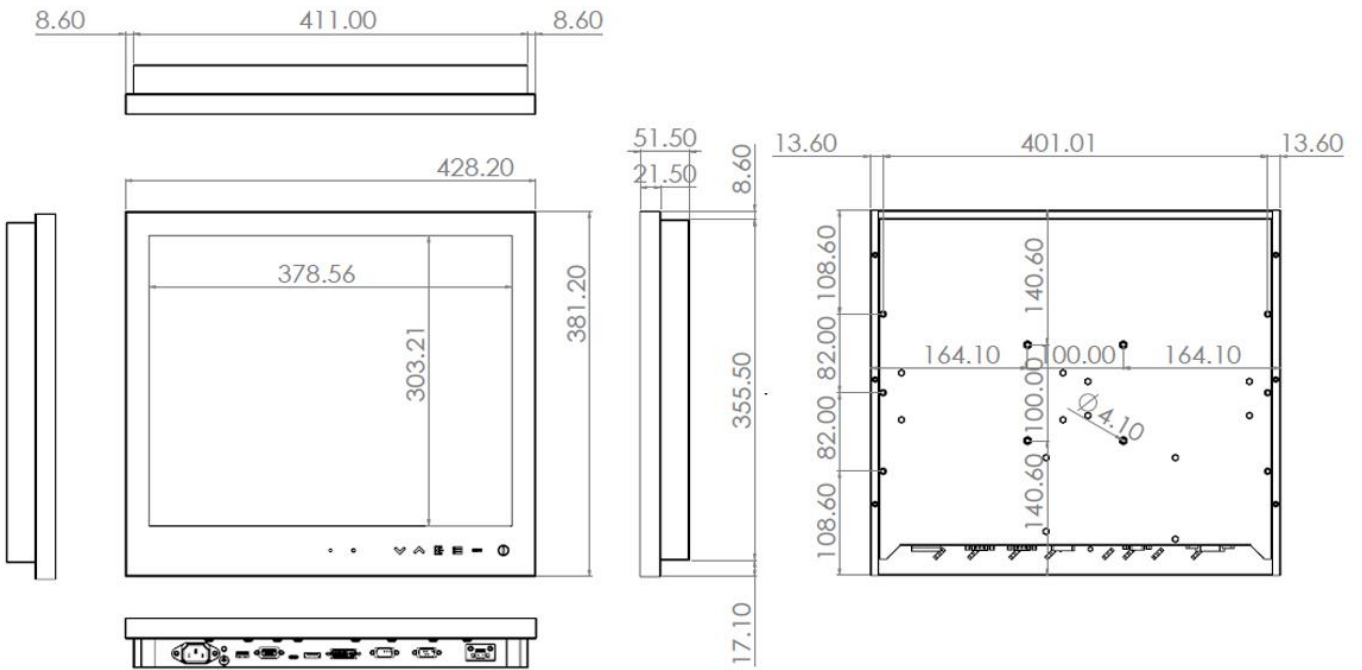


Features

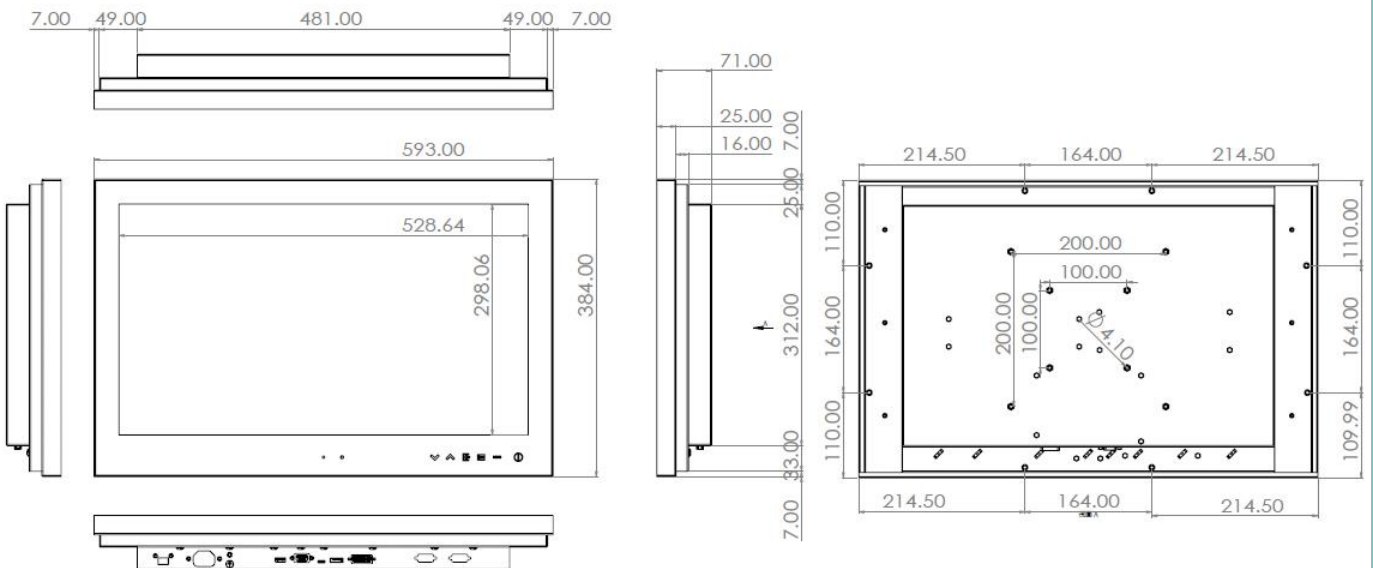
- ★ 19/23.8/24/27-inches aspect ratio available
- ★ P-CAP Multi-Touch, High Brightness and Optical Bonding (by request)
- ★ AC/DC Multi-Power by default (Single power by request)
- ★ Buzzer is available on front bezel and controlled via comm. protocol
- ★ Comm. protocol is supported via RS port
- ★ 3 Years warranty, Fast Lead Time and Price/Cost-Optimization
- ★ Marine type approval: IEC60945, IACS UR E10 and IEC61174 (ECDIS Color Calibrated model by request)

Model Name	NTMM190	NTMM238	NTMM240	NTMM270
Appearance				
Viewable Size	19.0 inch	23.8 inch	24.0 inch	27.0 inch
Active Area (mm)	376.32 H x 301.06 V	527.04 H x 296.46V	531.36 H x 298.89V	597.6 H x 336.15V
Native Resolution	1280 x 1024 (SXGA)	1920 x 1080 (FHD)	1920 x 1080 (FHD)	1920 x 1080 (FHD)
Aspect Ratio	5:4	16:9	16:9	16:9
Light Intensity	350 cd/m ²	250 cd/m ²	300 cd/m ²	300 cd/m ²
Contrast Ratio	1000:1	1000:1	5000:1	3000:1
Viewing Angles (U/D/L/R)	89 degrees	89 degrees	89 degrees	89 degrees
Optimal Resolution and Hz	1280 x 1024 @ 60 Hz	1920 x 1080 @ 60 Hz	1920 x 1080 @ 60 Hz	1280 x 1024 @ 60 Hz
ECDIS Color Calibrated (Optional)	Available	Available	Available	Available
Touch Function (Optional)	P-CAP Touch	P-CAP Touch	P-CAP Touch	P-CAP Touch
High Brightness (Optional)	1000 cd/m ²	1000 cd/m ²	1500 cd/m ²	1000 cd/m ²
Optical Bonding (Optional)	Available	Available	Available	Available
Video Input	1 DVI-I,1 DP,1 USB-C	1 DVI-I,1 DP,1 USB-C	1 DVI-I,1 DP,1 USB-C	1 DVI-I,1 DP,1 USB-C
Input/Output Interface	1 RS232,1 RS422/485 1 USB (For touch) 1 COM (External I/O)	1 RS232,1 RS422/485 1 USB (For touch) 1 COM (External I/O)	1 RS232,1 RS422/485 1 USB (For touch) 1 COM (External I/O)	1 RS232,1 RS422/485 1 USB (For touch) 1 COM (External I/O)
Power Specifications and Consumption	Multi-power 100-240V AC - 50/60Hz + 24V DC, 156W (max)	Multi-power 100-240V AC - 50/60Hz + 24V DC, 156W (max)	Multi-power 100-240V AC - 50/60Hz + 24V DC, 156W (max)	Multi-power 100-240V AC - 50/60Hz + 24V DC, 156W (max)
User Controls and Activity	1 x Power On/Off 1 x ECDIS LED 1 x MENU, 1 x ENTER 1 x PLUS, 1 x MINUS	1 x Power On/Off 1 x ECDIS LED 1 x MENU, 1 x ENTER 1 x PLUS, 1 x MINUS	1 x Power On/Off 1 x ECDIS LED 1 x MENU, 1 x ENTER 1 x PLUS, 1 x MINUS	1 x Power On/Off 1 x ECDIS LED 1 x MENU, 1 x ENTER 1 x PLUS, 1 x MINUS
Dimensions (W x H x D, mm)	428.2x381.2x51.5	593x384x71	593x384x59.5	621x599.6x74.1
Weight (approx.)	8.0 KG	9.0 KG	9.0 KG	15.0 KG
Operating Temperature	-15.0°C to +55.0°C	-15.0°C to +55.0°C	-15.0°C to +55.0°C	-15.0°C to +55.0°C
Storage Temperature	-30.0°C to +70.0°C	-30.0°C to +70.0°C	-30.0°C to +70.0°C	-30.0°C to +70.0°C
Humidity	Humidity up to 95%	Humidity up to 95%	Humidity up to 95%	Humidity up to 95%
IP Rating	IP66 front; IP22 rear	IP66 front; IP22 rear	IP66 front; IP22 rear	IP66 front; IP22 rear
Compass Safety Distance	Standard: 90cm Steering: 45cm	Standard: 140cm Steering: 85cm	Standard: 140cm Steering: 85cm	Standard: 190cm Steering: 110cm
Type Approval, Testing and Certificates	IEC60945 IACS-UR-E10 EU-RO-MR by DNV	IEC60945 IACS-UR-E10 EU-RO-MR by DNV	IEC60945 IACS-UR-E10 EU-RO-MR by DNV	IEC60945 IACS-UR-E10 EU-RO-MR by DNV

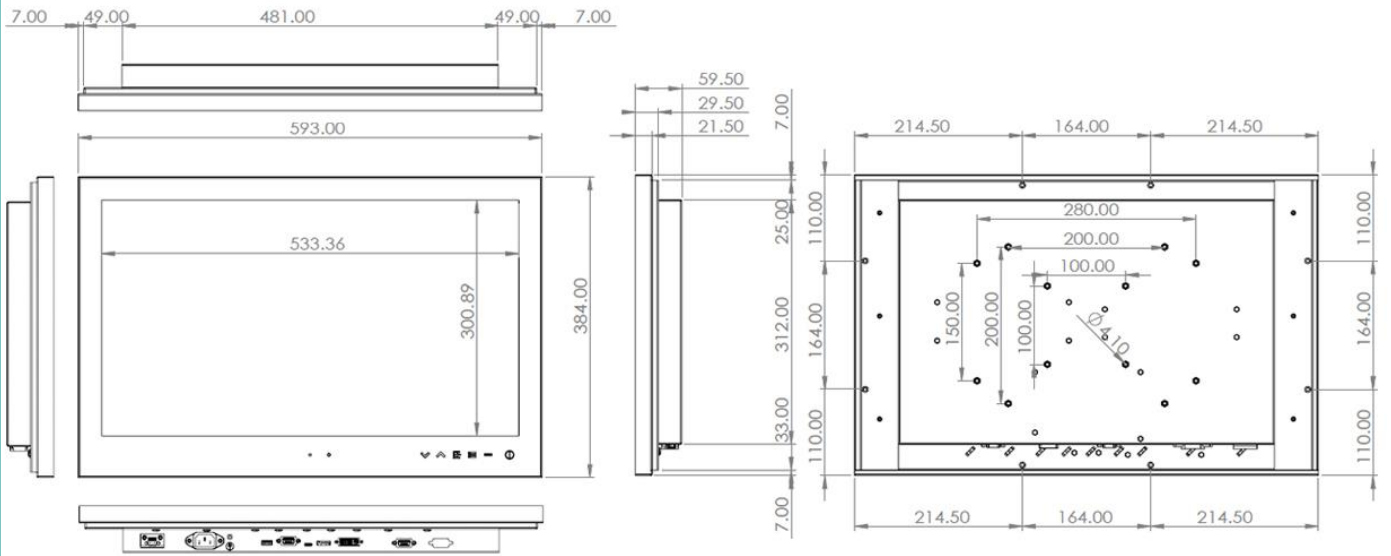
NTMM190 Dimensions



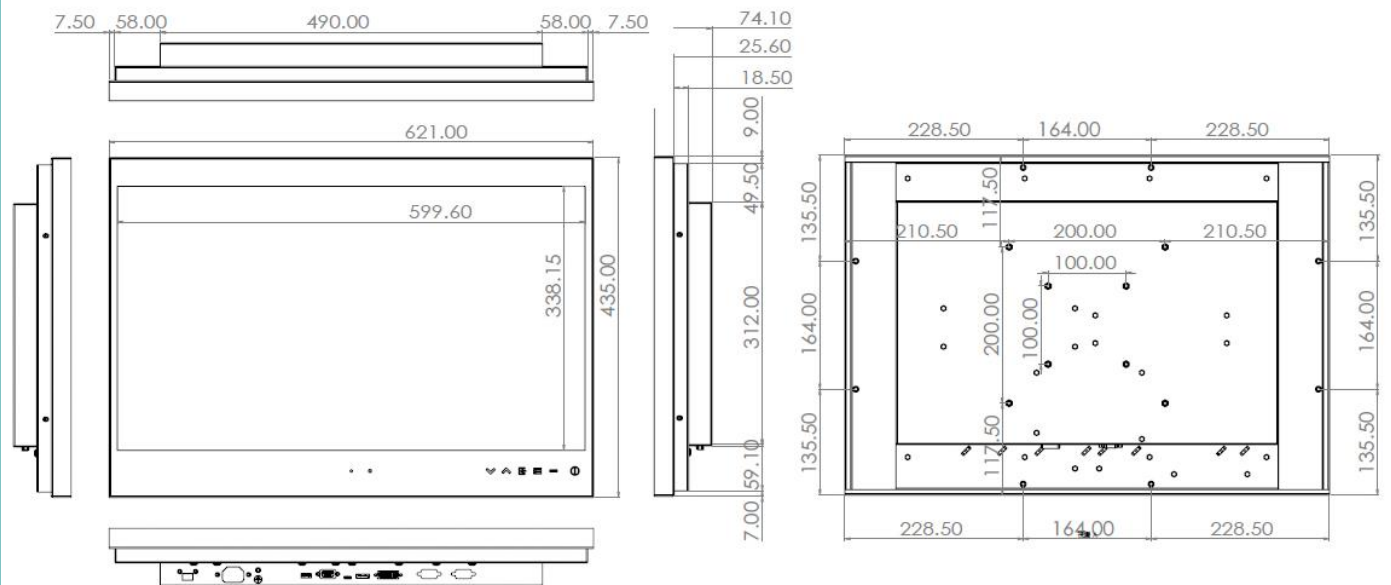
NTMM238 Dimensions



NTMM240 Dimensions



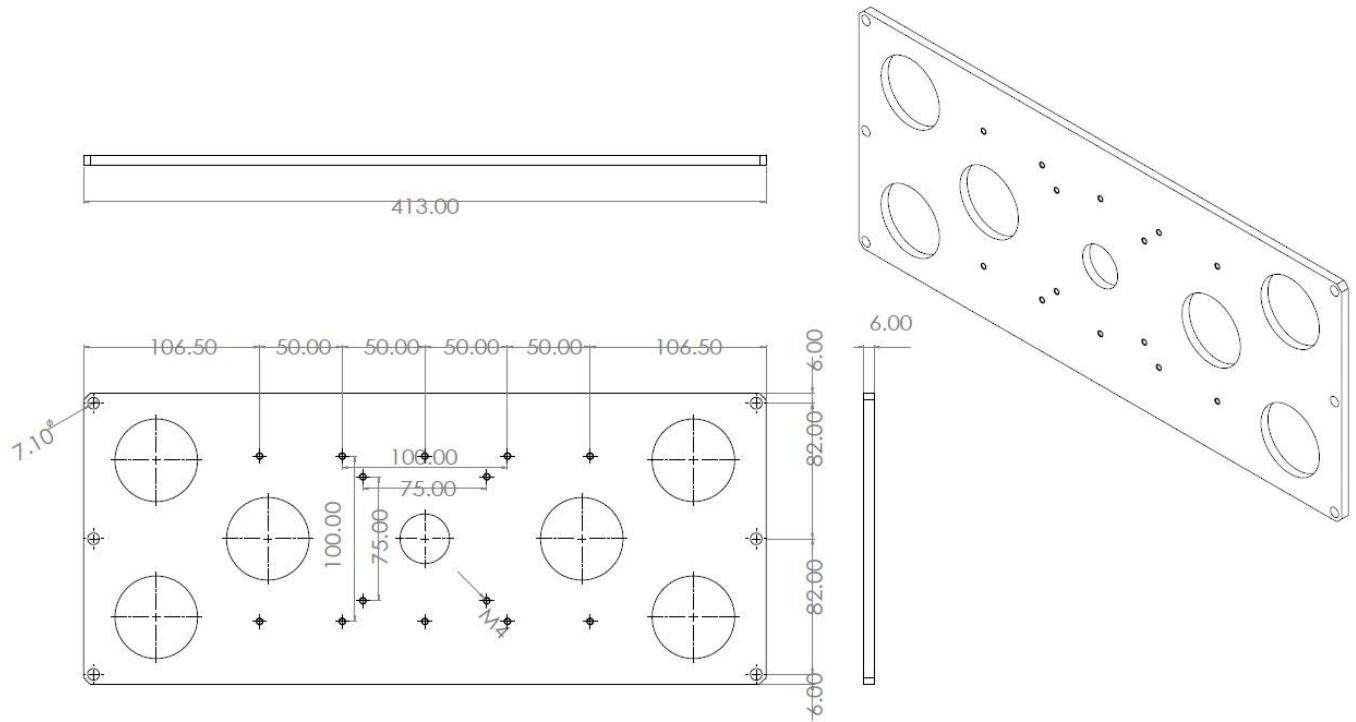
NTMM270 Dimensions



Accessories Options

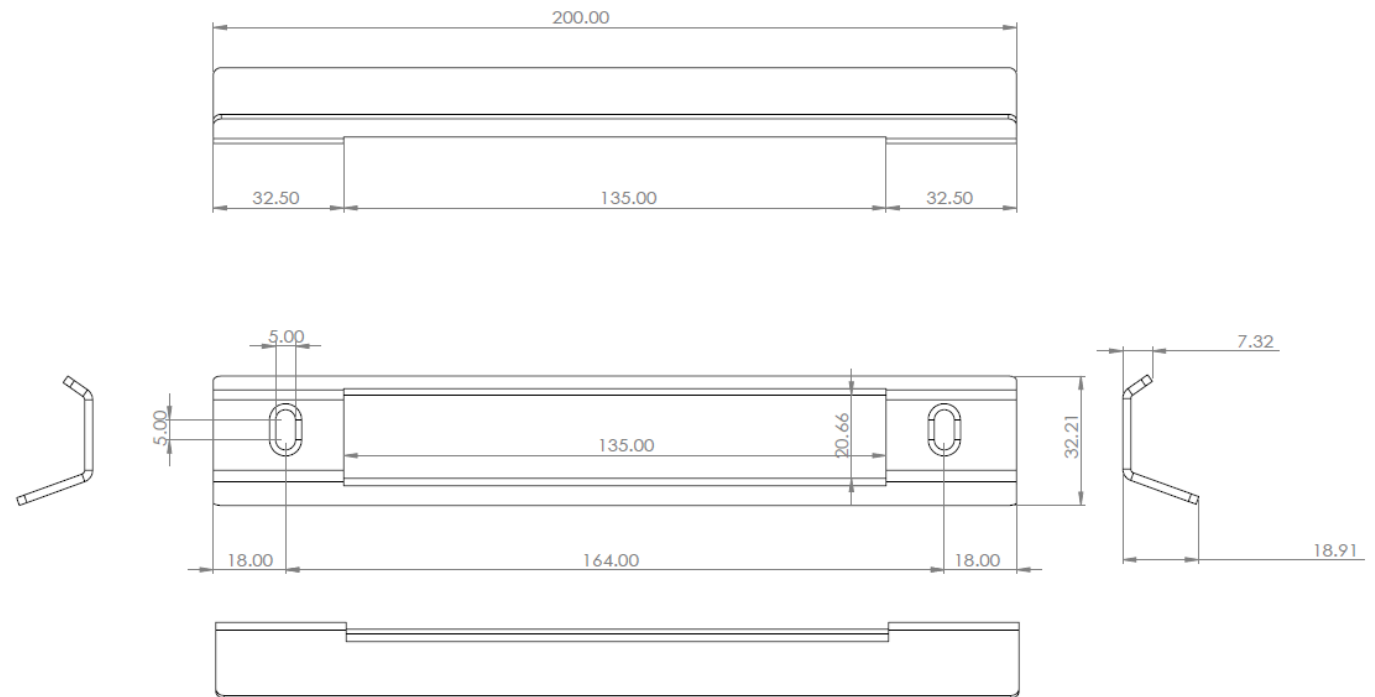
Mounting Kit

VESA 75/100 Mounting Kit



Mounting Kit

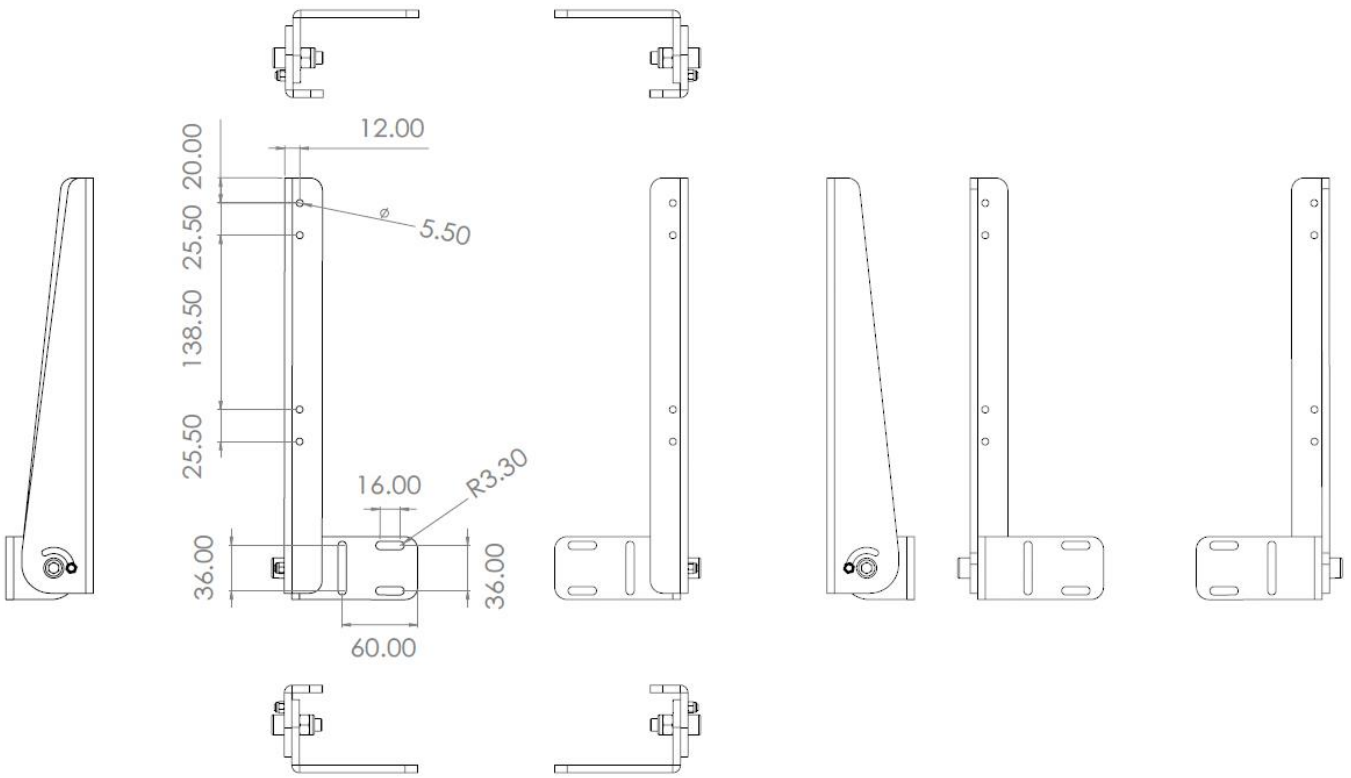
Panel Mounting Kit (19-inches: 2 pcs for L/R side, 23.8-27 inches: 4pcs for 4 sides)



Accessories Options

Mounting Kit

NTMM190 Desktop Mounting Kit



Mounting Kit

Console Mounting Kit

