



# Product Specifications

<b>Customer</b>	
<b>Model</b>	<b>NTI460 V001</b>



Records of Revision			
Vision	Modifying	Old Description	New Description
v1504.3	Preliminary Specifications		
v1504.4	Reformat		
v1504.5	Reformat		
<b>v1504.6</b>	<b>Add 1500nits Brightness Option</b>		

## Features

- ★ 46" 16:9 ,1920x1080 (Full-HD) Resolution
- ★ VA Wide Viewing Angel 178°/178°
- ★ I.R. Touch Option, 10 points Multitouch (option)
- ★ Metal Cabinet with Diverse Combine Options
- ★ Made in Taiwan, 3 Years Warranty
- ★ Media Play by USB Drive. (PC free!)



PSE



BSMI



FCC



CE



RoHS



ISO9001



## Display Specifications

Model Name	<b>NTI460X0XXXXA-001 *</b>	Display Mode	<b>VA Mode, Normally Black</b>
Screen Diagonal	<b>46 inch</b>	Response Time	<b>6.5 msec.</b>
Display Area	<b>1018.08x572.67 mm</b>	Backlight Unit	<b>LED (white LED)</b>
Resolution	<b>1920x1080 (FHD)</b>	Viewing Angle (L/R, U/D)	<b>178°/178° (CR<sub>≥</sub>10)</b>
Contrast Ratio	<b>4000:1</b>	Backlight Lifetime	<b>&gt;50,000 Hours</b>
Display Ratio	<b>16:9</b>	Operating Temp.	<b>0~50°C</b>
Support Color	<b>1073M Colors</b>	Storage Temp.	<b>-20~60°C</b>
Pixel Pitch	<b>0.53025x0.53025 mm</b>	Surface Treatment	<b>Anti-glare, Hardness 3H</b>

\* X = A~Z, 0~9 (Depends on options)

## Touch Options

I.R. Touch			
Model Name	<b>NTI460I0XUXXA-001</b>		
Touch Technology	I.R. Touch	Transparency	≥92%
Allowed Touch Points	10 points	Accuracy	99.00%
Interface	USB	Thickness of Cover Lens	4.0±0.2mm
IK Ratings	IK07	Hardness of Cover Lens	7H

Non-Touch	
Model No.	<b>NTI46000X0XXA-001</b>

## Supported OS

Windows	<b>Win7, Win8, Win10 ↑</b>
Linux	<b>Kernel 2.6.24 ↑</b>
Android	<b>3.0 ↑</b>
Mac	<b>10.5.x ↑ (Intel CPU)</b>



## General Options

Color of Cabinet		
	Description	Model Name
<b>Standard</b>	<b>Black</b>	<b>NTI460X0BXXXA-001</b>
Option 1	White	NTI460X0WXHXA-001
Option 2	Silver	NTI460X0SXXXA-001
Options	Other Colors	NTI460X0XXXXA-001

\* X = A~Z, 0~9 (Depends on Color)

Touch Interface		
	Description	Model Name
<b>Standard</b>	<b>USB</b>	<b>NTI460I0XUXXA-001</b>
Option	Non-Touch	NTI460X0X0XXA-001

Brightness			
	Brightness	Environment	Model Name
<b>Standard</b>	<b>500 nits</b>	<b>General</b>	<b>NTI460X0XXNXA-001</b>
Option 1	1500 nits	Outdoor Environment	NTI460X0XXHXA-021

\* Check the data sheets NTI460 V021

Material of Cabinet		
	Description	Model Name
<b>Standard</b>	<b>SECC</b>	<b>NTI460X0XXXSA-001</b>
Option 1	Stainless Steel	NTI460X0XXXLA-001
Option 2	Aluminum	NTI460X0XXXAA-001

## Accessories

Item	Description	Quantity
HDMI Cable	HDMI Male to Male, 1.5 Meter	1
Power cord	*Country Specific	1
USB Cable	A type, Male to Male, 1.5 Meter *(only for touch monitor)	1

## Display Input

Connectors	Description	Connectors	Description
VGA	15pin D-Sub x1	DVI	DVI-I x1
HDMI	HDMI 1.4 x2	USB	USB Type A x1 *

\* For media playing function by using USB drives, plays the media files automatically.

Supported Media Format	
Movie	avi, mpg, dat, vob, mov, mkv, rm, rmvb, mp4, mjpeg, ts, trp, wmv, asf, flv
Picture	Jpg, bmp, png
Music	mp3, m4a

### Notes

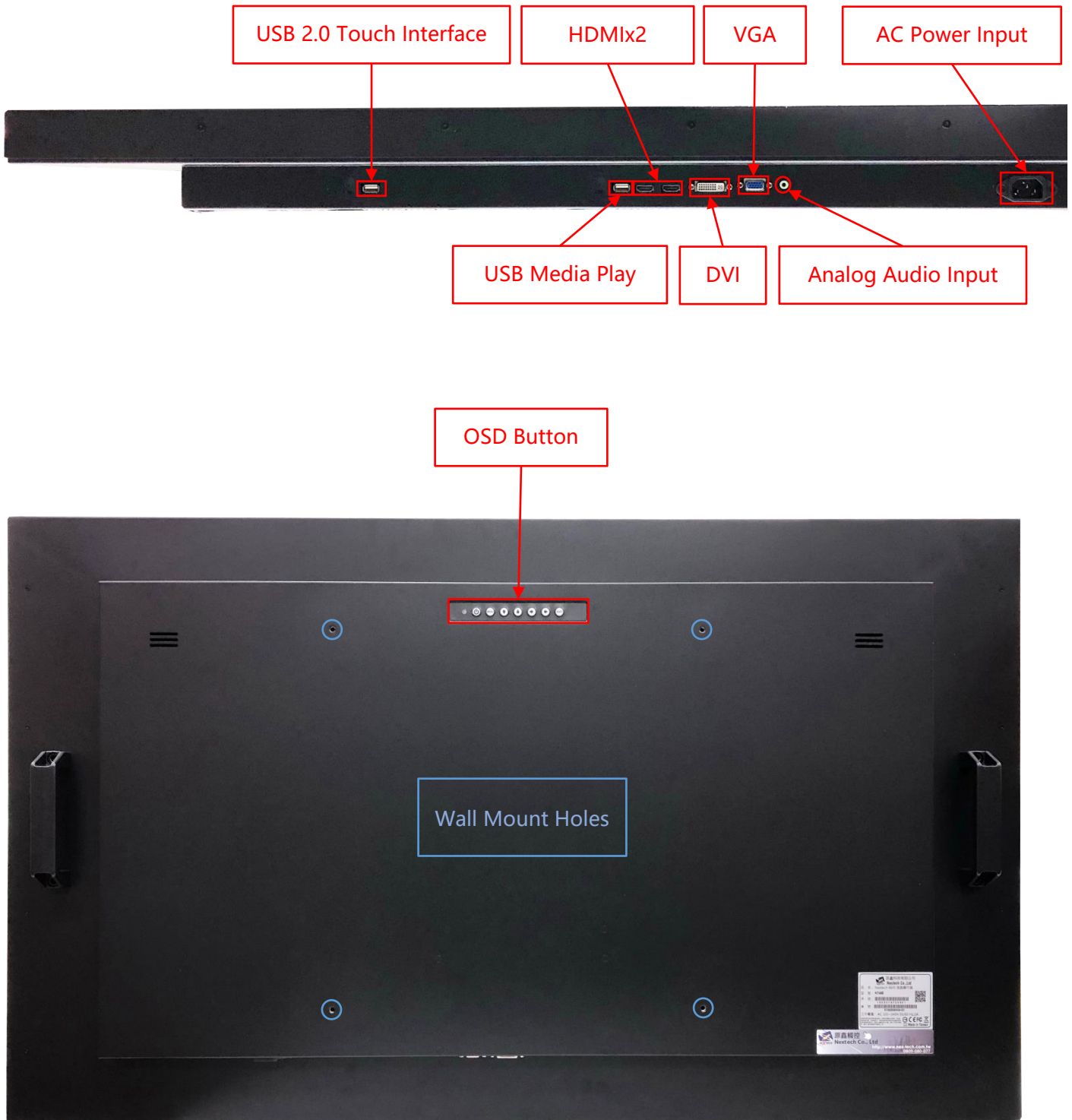
1. Media playing function by using USB driver isn't supporting touch function.
2. Touch function requires a PC, Android or Linux device.
3. Media playing function requires an USB Drive only. (without PC)

## Audio System

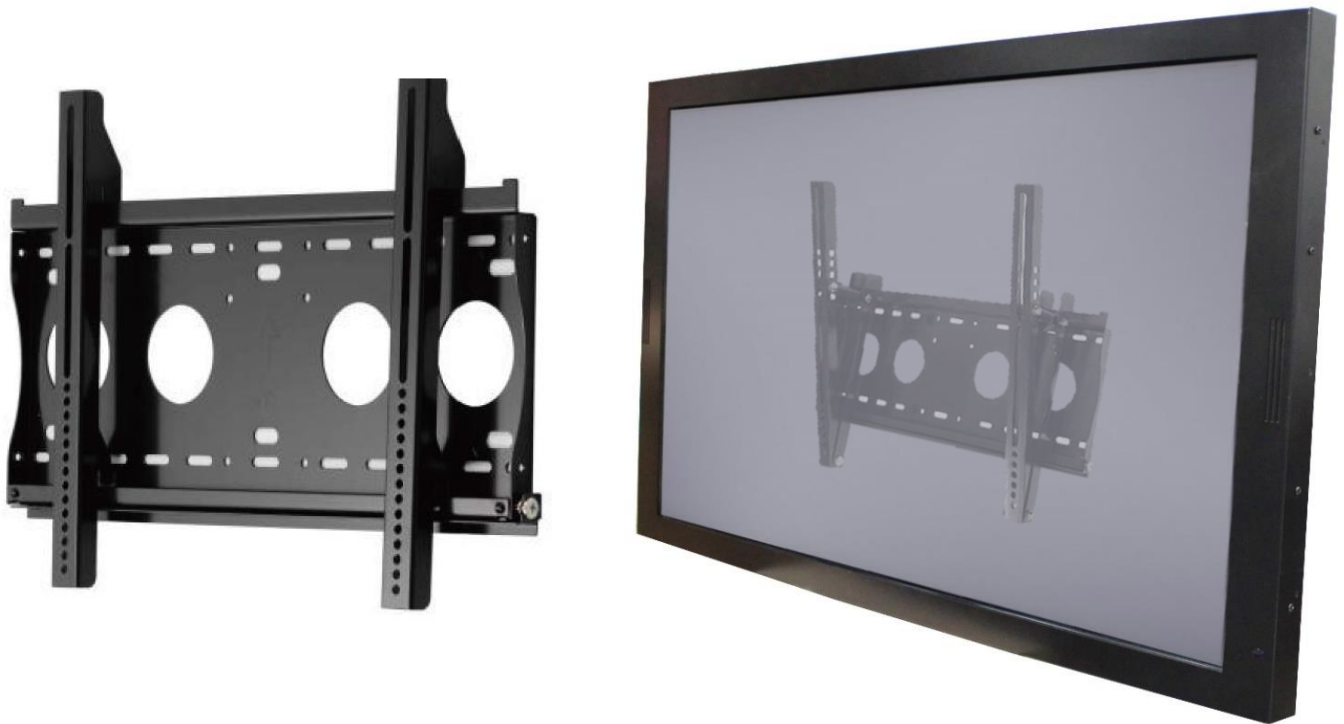
	Description	Connector
Audio Input	Stereo	TRS Connector $\Phi$ 3.5mm (Earphone Jack)
Speakers	10W x2	



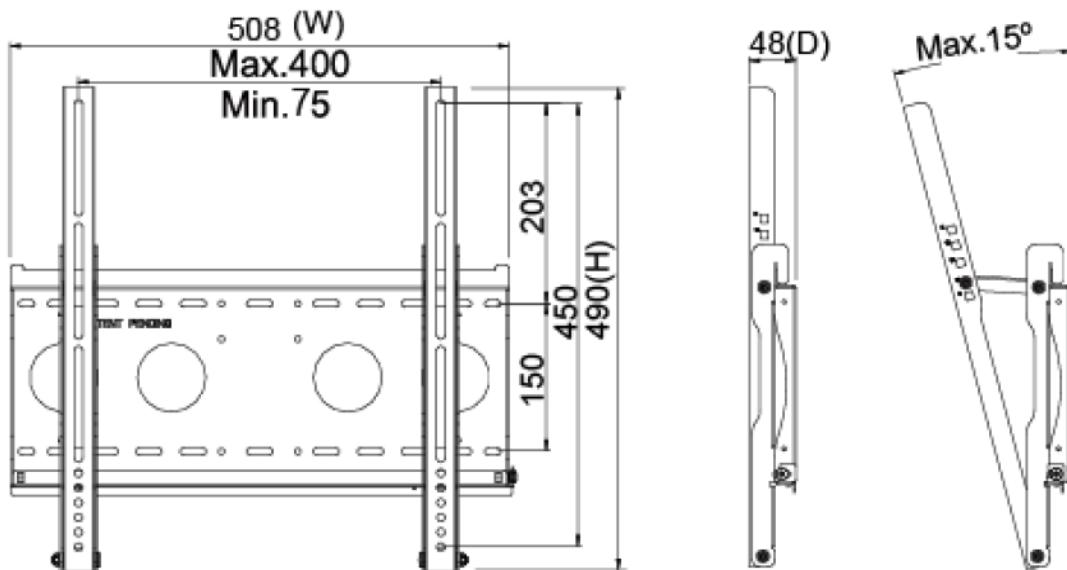
## Input /Output System



## Wall Mount Bracket (Option)



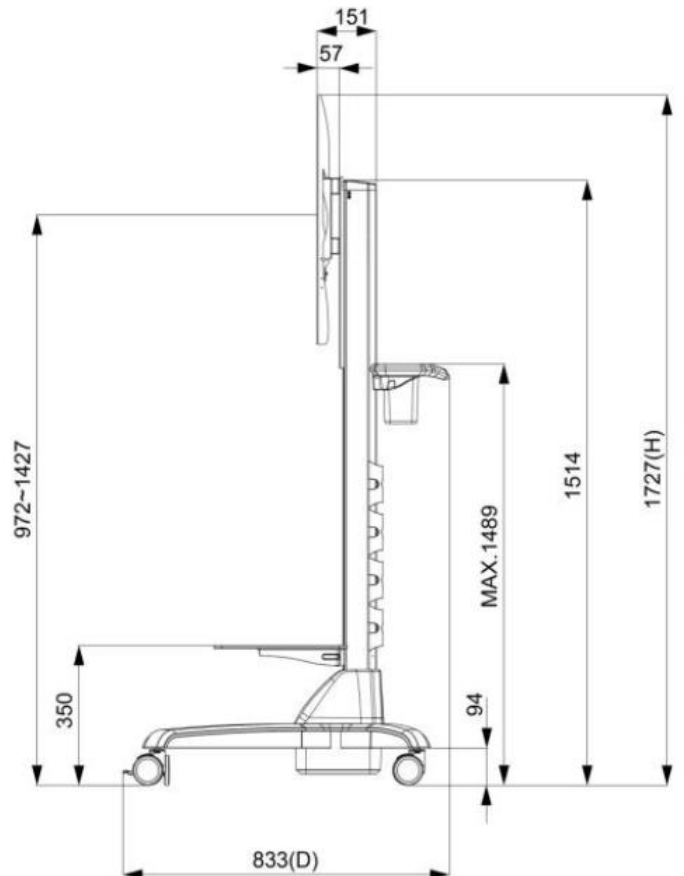
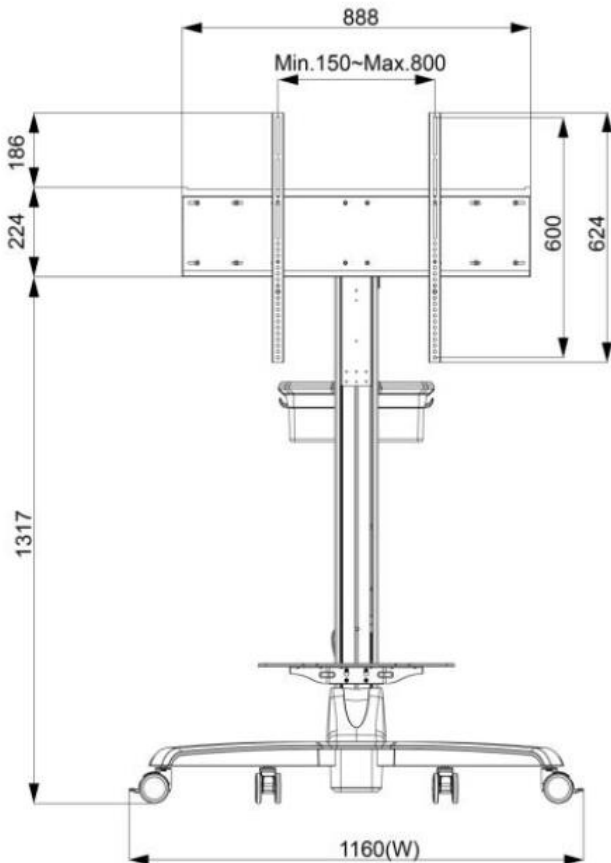
Part No.	WMB-B001		
Mounting Pattern	Max. 400x450 mm	Dimension (WxHxD)	508x490x48 mm
Material	SECC	Net Weight	4.01 KG
Tilt (Hinge)	0°/5°/10°/13°/15°	Support Max. Weight	80 KG
Screw Type	M4/M5/M6/M8	Min. Distance to The Wall	48 mm



### Cart (Option)



Net Weight	32.5 KG
Packaged Dimension	W1160xD833xH1727 mm
Screw Type	M4/M5/M6/M8
Material	Aluminum /Plastic/Steel
Max. Mount Pattern	800x600mm
Max. Weight Load	10~30 KG
Caster	4 (front 2 braking)
Height Adjust Range	500 mm
RoHS/REACH	Yes







### KIOSK Cabinet (Option)

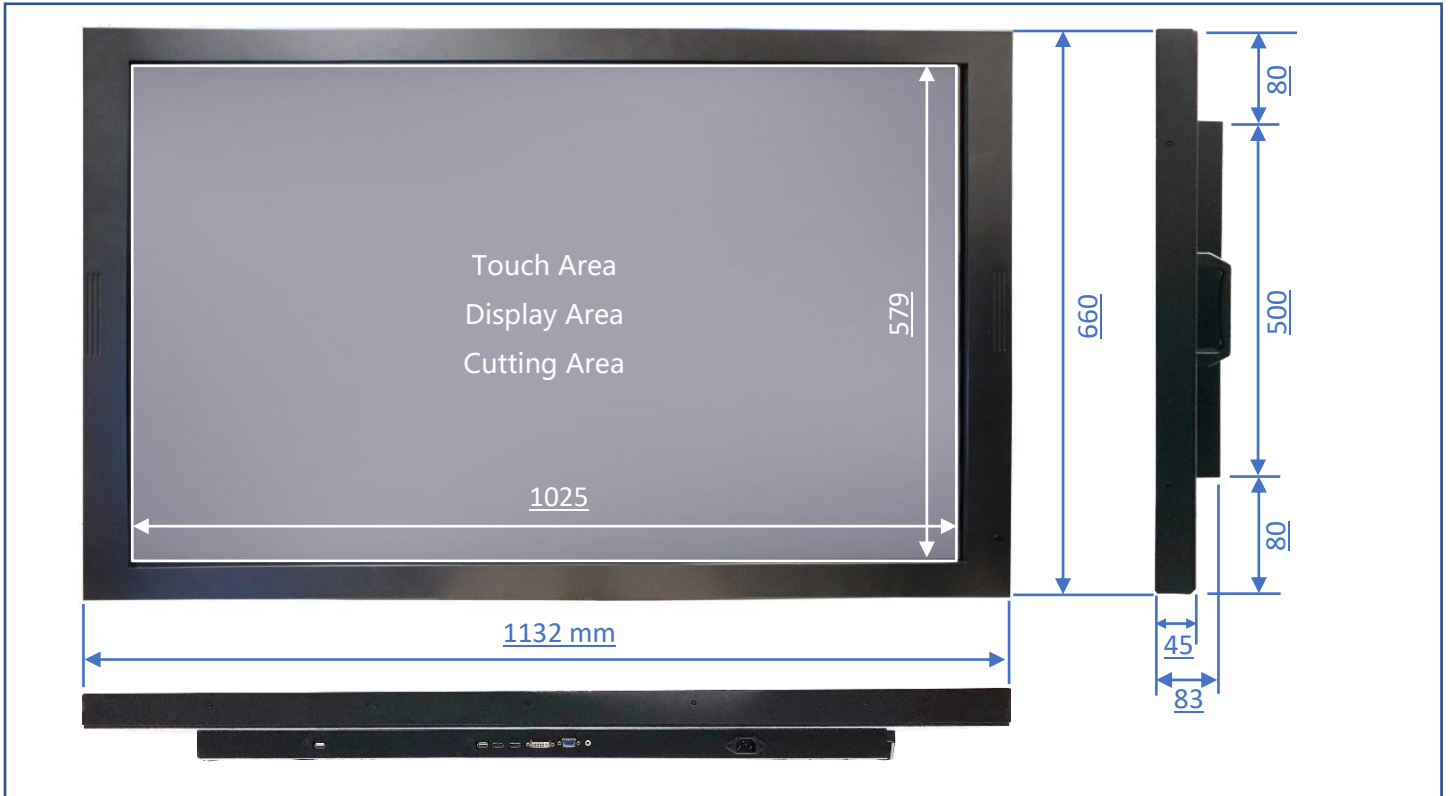


Material	SECC
Caster	4 (front 2 braking)
IP Rating	Front IP65
Power Panel	n/a



## Physical Specifications

Dimension (Max)	<b>1132x660x83(±2)mm</b>	Net Weight	<b>≤28 KG</b>
VESA Mounting	<b>400x400 mm</b>	Gross Weight	<b>≤35 KG</b>



## Packing Information



Dimensions of Carton	<b>1360x880x270 mm</b>
Net Weight	<b>≤28 KG</b>
Gross Weight	<b>≤35 KG</b>