

Product Specifications

Customer	
Model	NTAP270-S9 V600
Model No.	NTAP270<u>XXSXX</u>-S9A84FB-<u>XXXX</u>-600

* X = A~Z, 0~9 (Depends on Options.)



Records of Revision			
Vision	Modifying	Old Description	New Description
v2408.1	Preliminary specification		

Nextech P Series 27" Android All-in-one Touch PC

NTAP270-S9 V600

Features

- ★ 27 inch Panel, 1920x1080 (FHD) Resolution
- ★ VA Wide Viewing Angle Technology (178°/178°)
- ★ Rock Chip ARM Cortex A72+A53 RK3399 Quad-Core CPU
- ★ On Board DDR4 4G Memory
- ★ On Board 32 Flash ROM
- ★ Micro SD Card Slot x1
- ★ Android 11
- ★ Narrow Bezel, True Flat Projected Capacitive Touch Screen
- ★ 7H Hardness Tempered Cover Glass
- ★ 10 points Multi-touch, Supports NEXTECH Dedicated Stylus
- ★ Metal Cabinet with Diverse Combine Options
- ★ Made in Taiwan, 3 Years Warranty
- ★ Optional High Brightness 1000nits, for Outdoor Environment
- ★ Optional AG Coating/Anti-UV/Antibacterial/Privacy Filter Surface Treatment



PSE



BSMI



RoHS



CE



ISO9001



FCC



Desktop Stand



Wall Mounting



Open-frame Brackets



Panel Mount

System Specifications

CPU	Dual Core ARM Cortex-A72 +Cortex-A53 up to 2.0GHz
Memory	DDR4 4G
Storage	32G Flash ROM
Sound Chip	Everest ES8336 Codec
Physical Network	Realtek GbE LAN Chip (RJ45, 10/100/1000 Mbps)
Wireless Network	Wi Fi 2.4/5GHz and Bluetooth 4.2 (support BLE)
OS	Android 11

Display Specifications

Screen Diagonal	685.6mm (27.0 inch)	Display Mode	VA Type, Normally Black
Display Area	597.6x336.2 mm	Backlight Unit	LED (white LED)
Resolution	1920x1080 (FHD)	Viewing Angle (L/R, U/D)	178°/178° (CR=10)
Contrast Ratio	3000:1	Response Time	5 msec.
Display Ratio	16:9	Backlight Lifetime	>30,000 Hours
Support Colors	16.7M Colors	Operating Temp.	0~50°C
Pixel Pitch	264x264 um	Storage Temp.	-20~60°C

Display Options

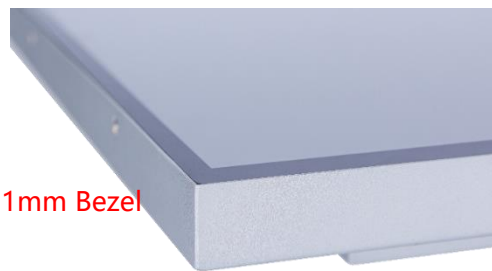
Brightness			
	Brightness	Environment	Model Name
Standard	250nits	General	NTAP270NXSXX- S9A84FB-XXXX-600
Option	1000nits	Outdoor Environment	NTAP270AXSXX- S9A84FB-XXFX-600

Touch Options

Touch Screen		
	Description	Model Name
Standard	Projected Capacitive Touch	NTAP270X<u>P</u>SXX-S9A84FB-XXXX-600
Option	Non-Touch	NTAP270X <u>0</u> SXX-S9A84FB-XXXX-600

Projected Capacitive Touch

Touch Technology	Projected Capacitive	Thickness of Cover Lens	2.9±0.2mm
Allowed Touch Points	10 points	Hardness of Cover Lens	7H
Transparency	≥87%	IK Ratings	IK07
Accuracy	99.00%		



* True Flat, 1mm Bezel

Surface Treatment		
	Description	Model Name
Standard	(none)	NTAP270XXS<u>00</u>-S9A84FB-XXXX-600
Option 1	Anti-Glare&Anti-UV Coating	NTAP270XXS <u>GG</u> -S9A84FB-XXXX-600
Option 2	Antibacterial (AB Film)	NTAP270XXS <u>AB</u> -S9A84FB-XXXX-600
Option 3	Anti-Spy (AS Film)	NTAP270XXS <u>SF</u> -S9A84FB-XXXX-600

System Options

Material of Cabinet		
	Description	Model Name
Standard	SECC	NTAP270XXSXX-S9A84FB-SXXX-600
Option 1	Stainless Steel	NTAP270XXSXX-S9A84FB-LXXX-600
Option 2	Aluminum	NTAP270XXSXX-S9A84FB-AXXX-600

Color of Cabinet		
	Description	Model Name
Standard	Silver	NTAP270XXSXX-S9A84FB-XSXX-600
Option 1	White	NTAP270XXSXX-S9A84FB-XWXX-600
Option 2	Black	NTAP270XXSXX-S9A84FB-XBXX-600
Options	Other Colors	NTAP270XXSXX-S9A84FB-XXX-600

* X = A~Z, 0~9 (Depends on Color)

Cooling Fan		
	Description	Model Name
Standard	Fanless	NTAP270XXSXX-S9A84FB-XX0X-600
Option	7 Blades/4000r.p.m/28.3dB	NTAP270XXSXX-S9A84FB-XXFX-600

Power Input		
	Description	Model Name
Standard	12VDC-in, with AC/DC Adapter	NTAP270XXSXX-S9A84FB-XXX2-600
Option	100~240V AC, C14 AC Power Socket	NTAP270XXSXX-S9A84FB-XXXA-600

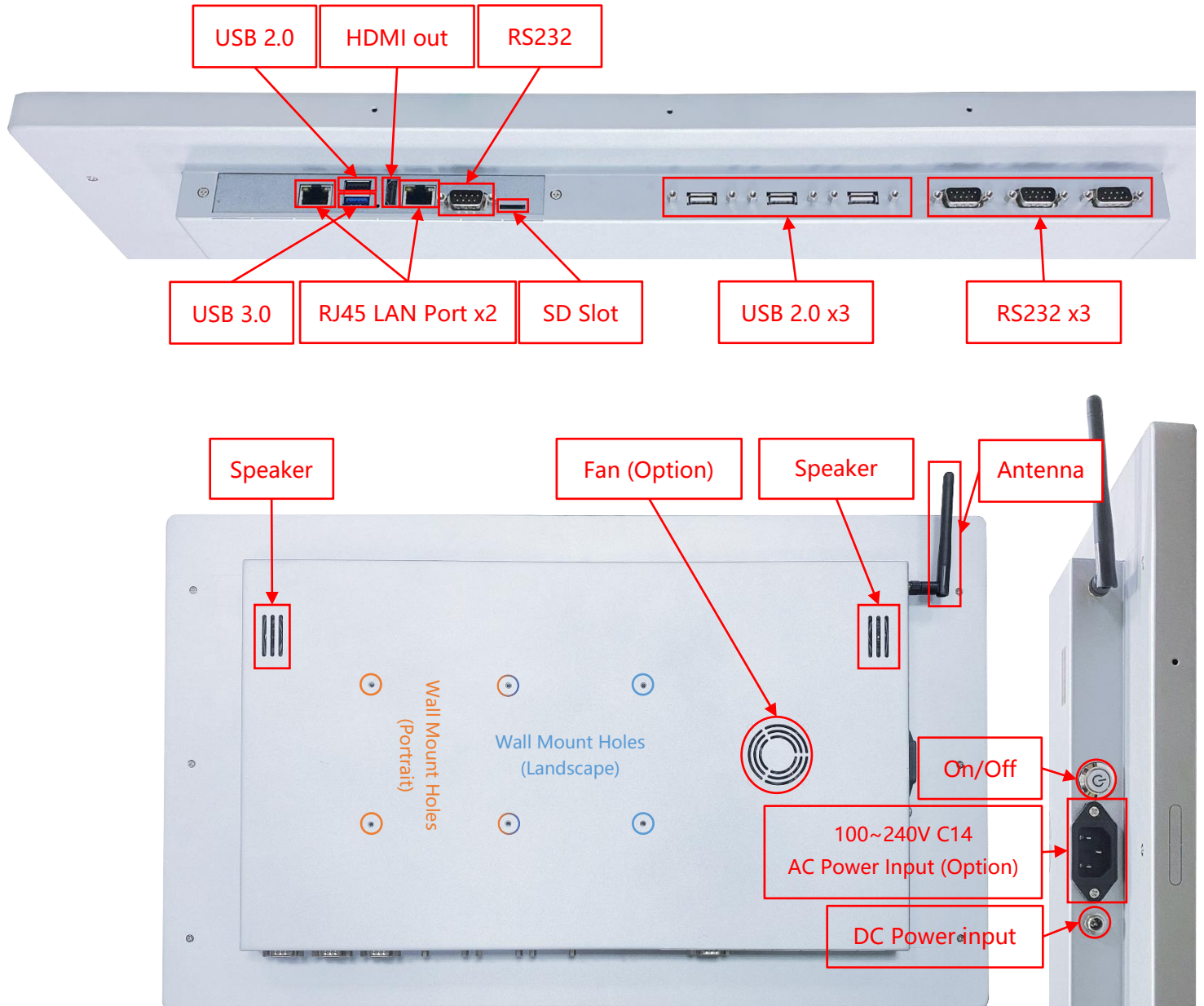


DC-in



AC-in

Input /Output System



Input / Output	Connectors	Input / Output	Connectors
HDMI output	1	Card Slot	1
DC Power Input	1	LAN (RJ45)	2
AC Power Input	Option	Wi-Fi/Bluetooth & Antenna	1
USB 2.0	4	Speakers	2W x2
USB 3.0	1	RS232	3

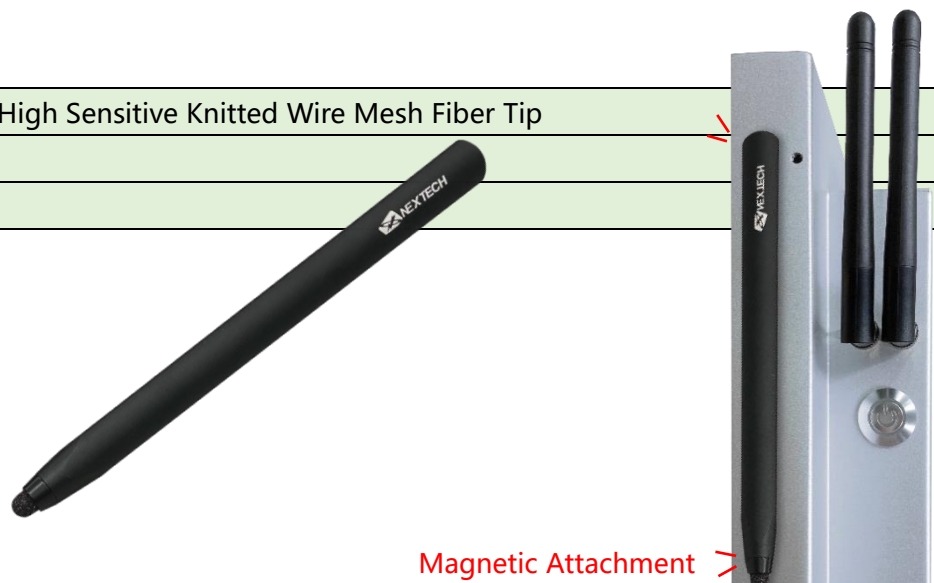
Camera & Microphone (Option)



Lens	1/3.06" CMOS Image sensor
Max. Resolution	12MP 3840x3104
Default Resolution	3840x2160 (UHD/4K)
Pixel Size	1.12um x1.12um
Device Name	12Mp WebCam
Auto Focus	Yes
Focus Distance	10 CM~Infinity
Input Voltage	5V
Microphone Sensitivity	-26 dBFS
Frequency	2.4 MHz
Data Latency	18~60 nsec

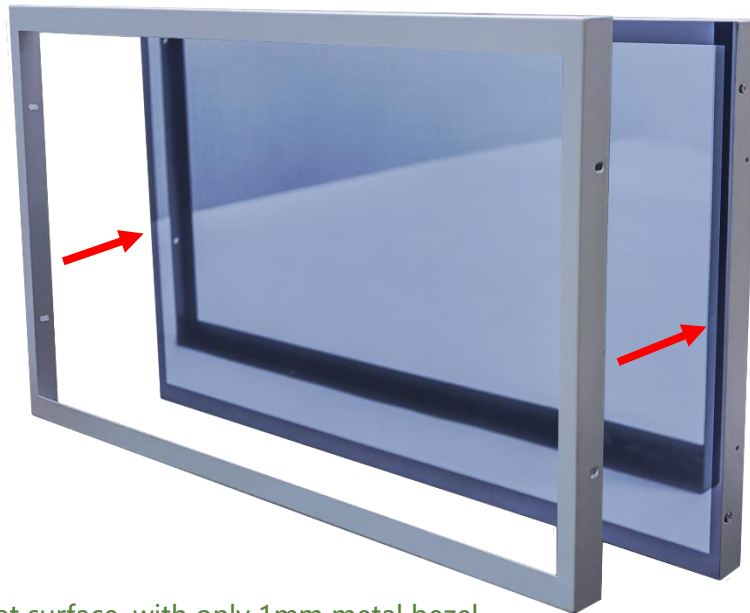
Stylus (Option)

Technology	Passive High Sensitive Knitted Wire Mesh Fiber Tip
Size of tip	6mm
Magnetic Attachment	Yes



Magnetic Attachment >

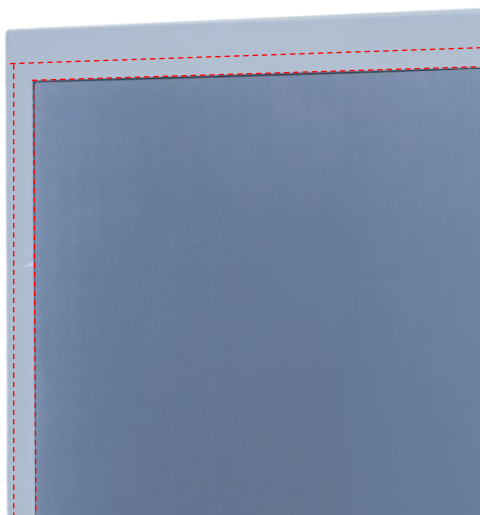
Front Cover (Option)



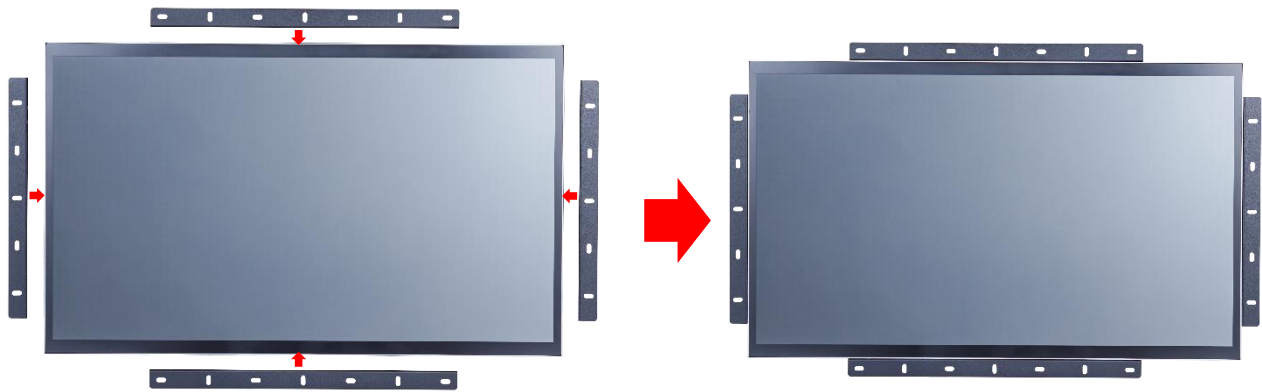
The standard **NTAP270** is true flat surface, with only 1mm metal bezel.
To protect the corners of the touch screen, the **Front Cover** can be added.



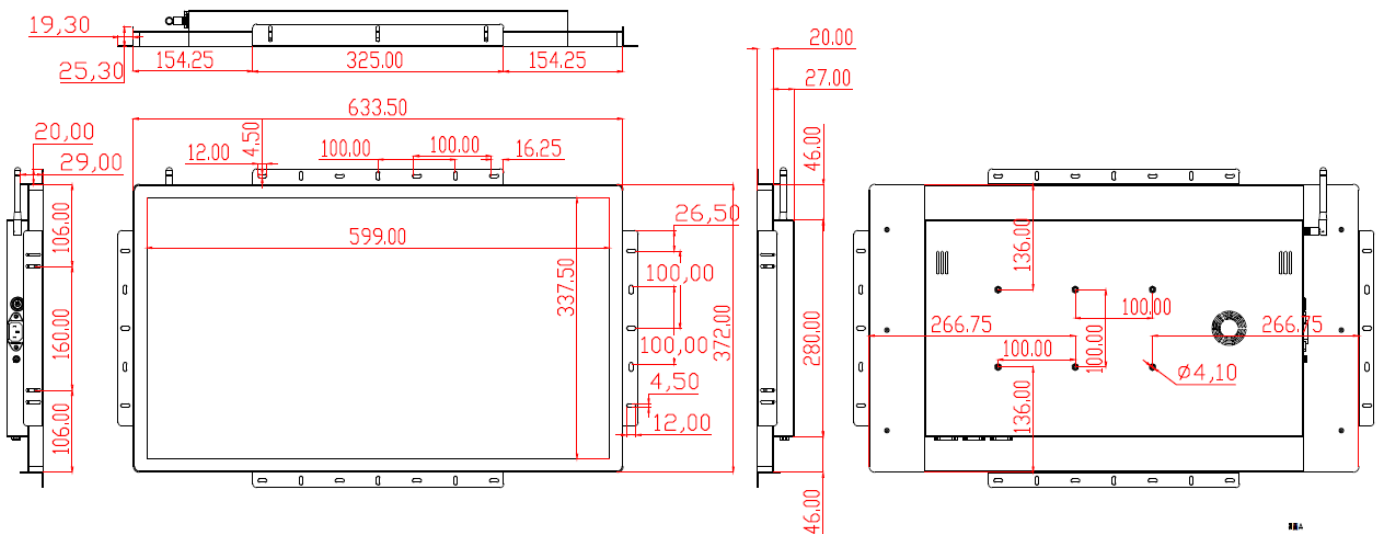
The watertight gasket can be added between the **Front Cover** and **NTAP270**.
It complies **IP65** on front.



Open-frame Brackets (Option)



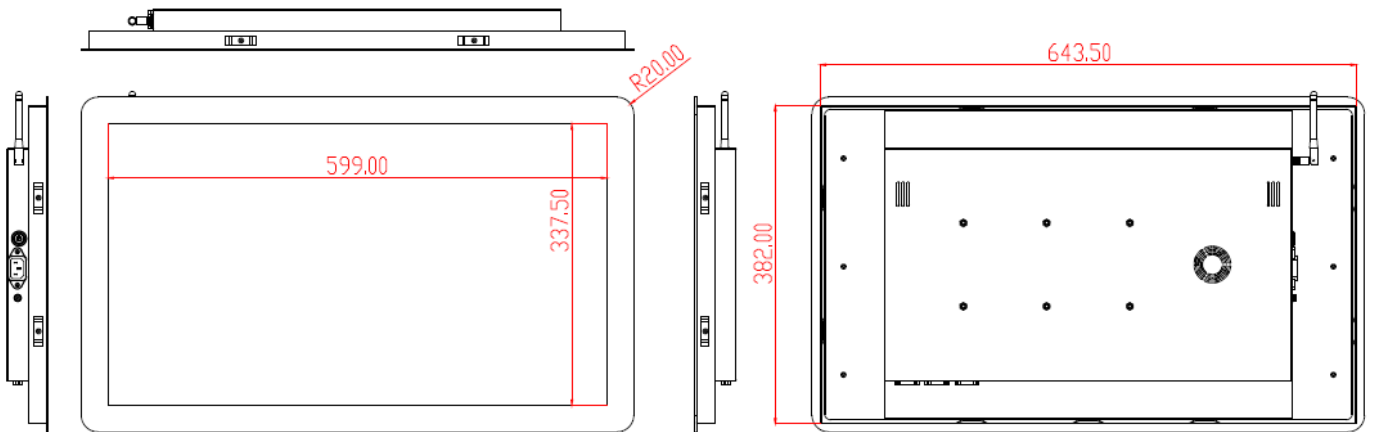
Dimension for Installing with Open-frame Brackets

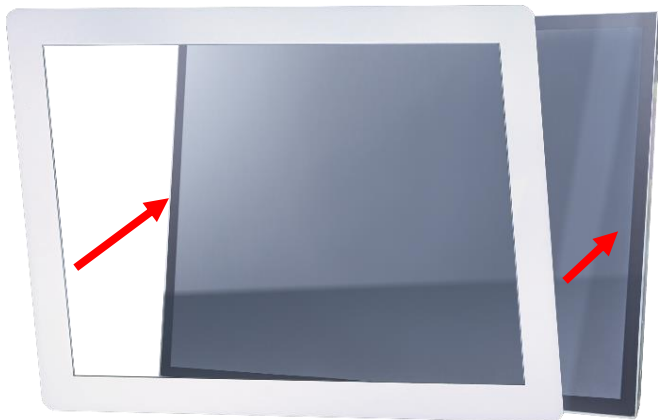


Panel Mount Kits (Option)

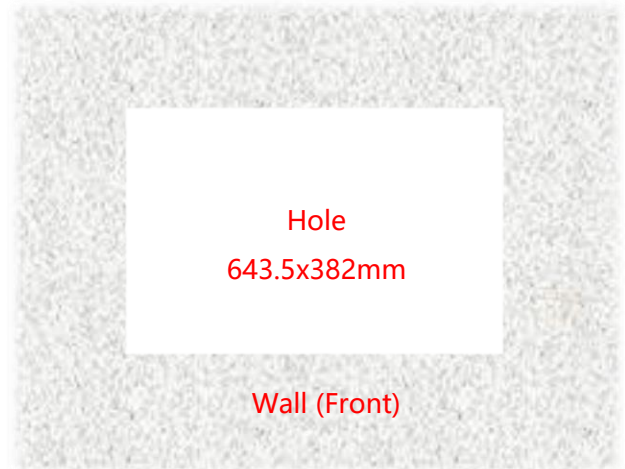


Dimension for Installing with Panel Mount Kits

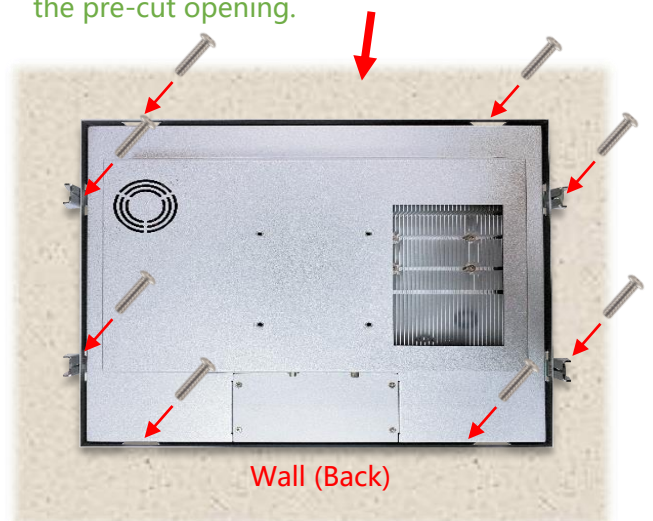




Step 1: Assemble the front module with the screen body. (This step is pre-assembled at the factory.)



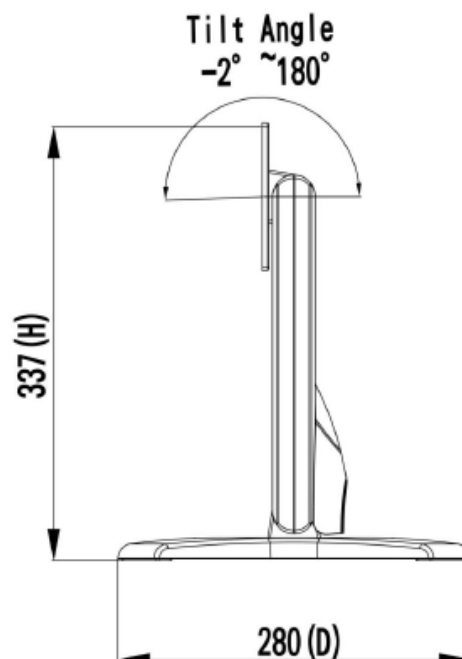
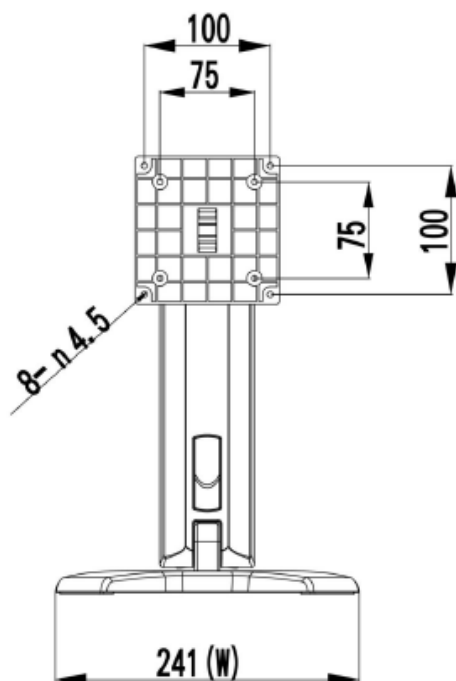
Step 2: Insert the screen from the front into the pre-cut opening.



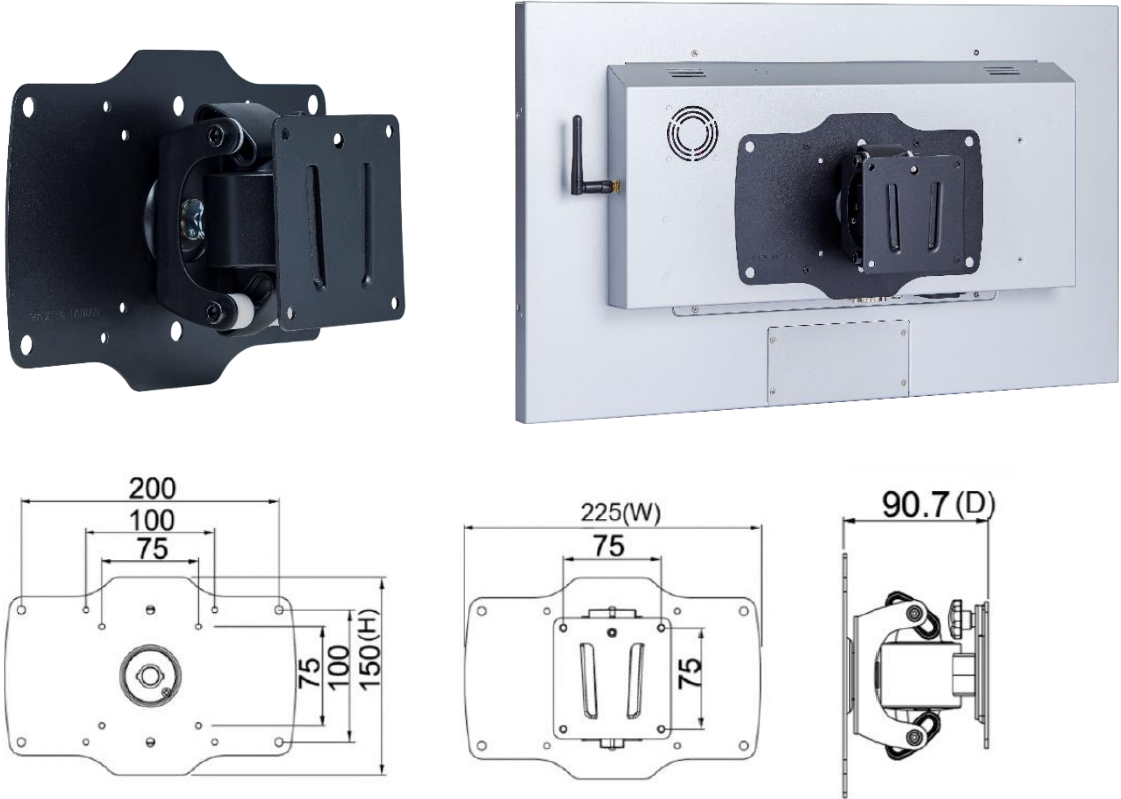
Step 3: Attach the clips from the back and secure with screws. (Up to 9 clips can be installed as needed or per positional limitations.)

Desktop Stand (Option)

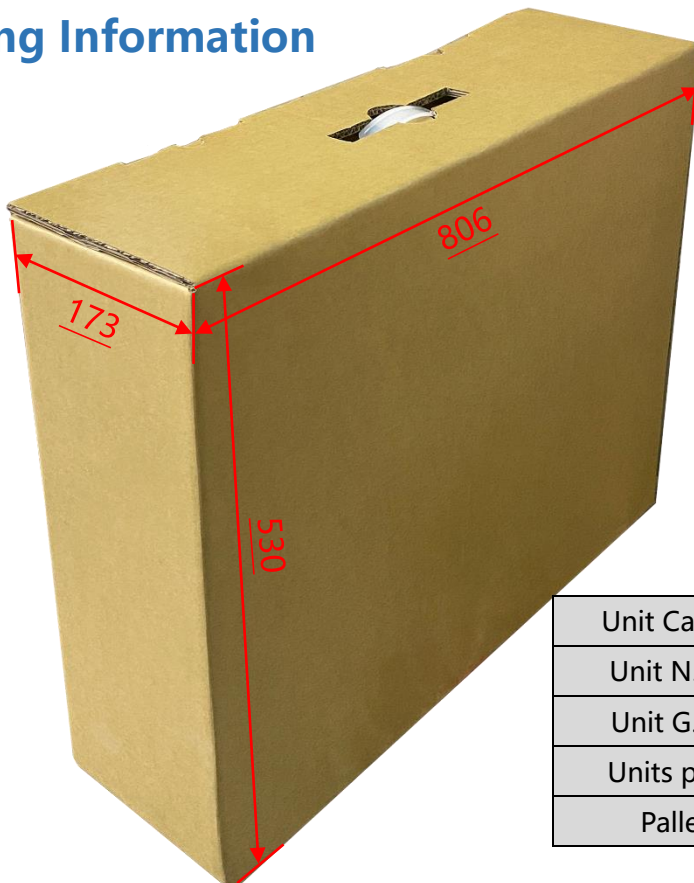
Item	B Stand	Part No.	DST-0B003/DST-1B003
Mounting Pattern	100x100 / 75x75 mm	Dimension (WxHxD) mm	337(H)x241(W)x280(D) mm
Material	Steel/Plastic/Aluminum	Net Weight	2.1 KG
Tilt (Hinge)	-2° ~+180°	Support Max. Weight	20 KG



Wall Mount Bracket (Option)



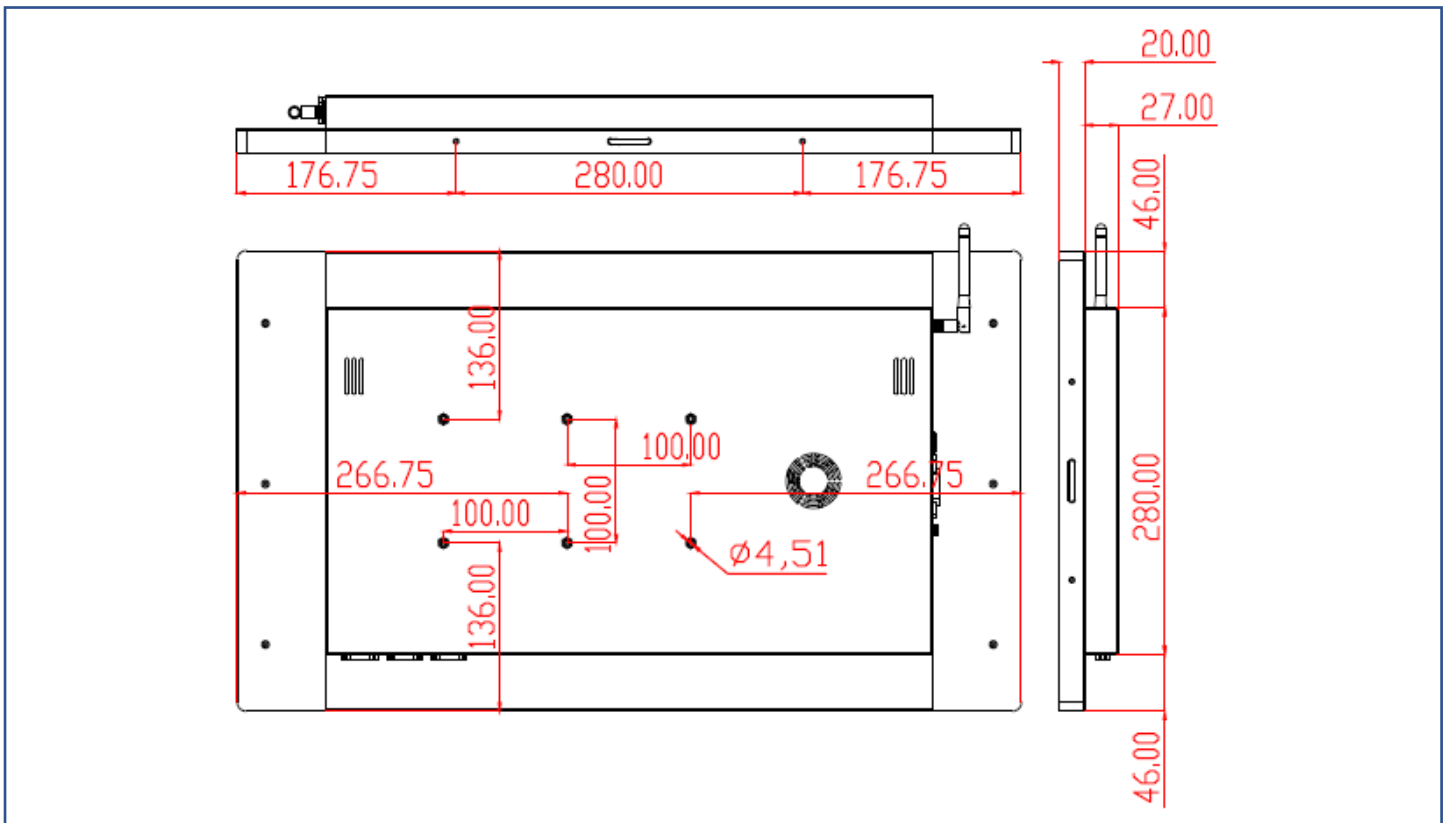
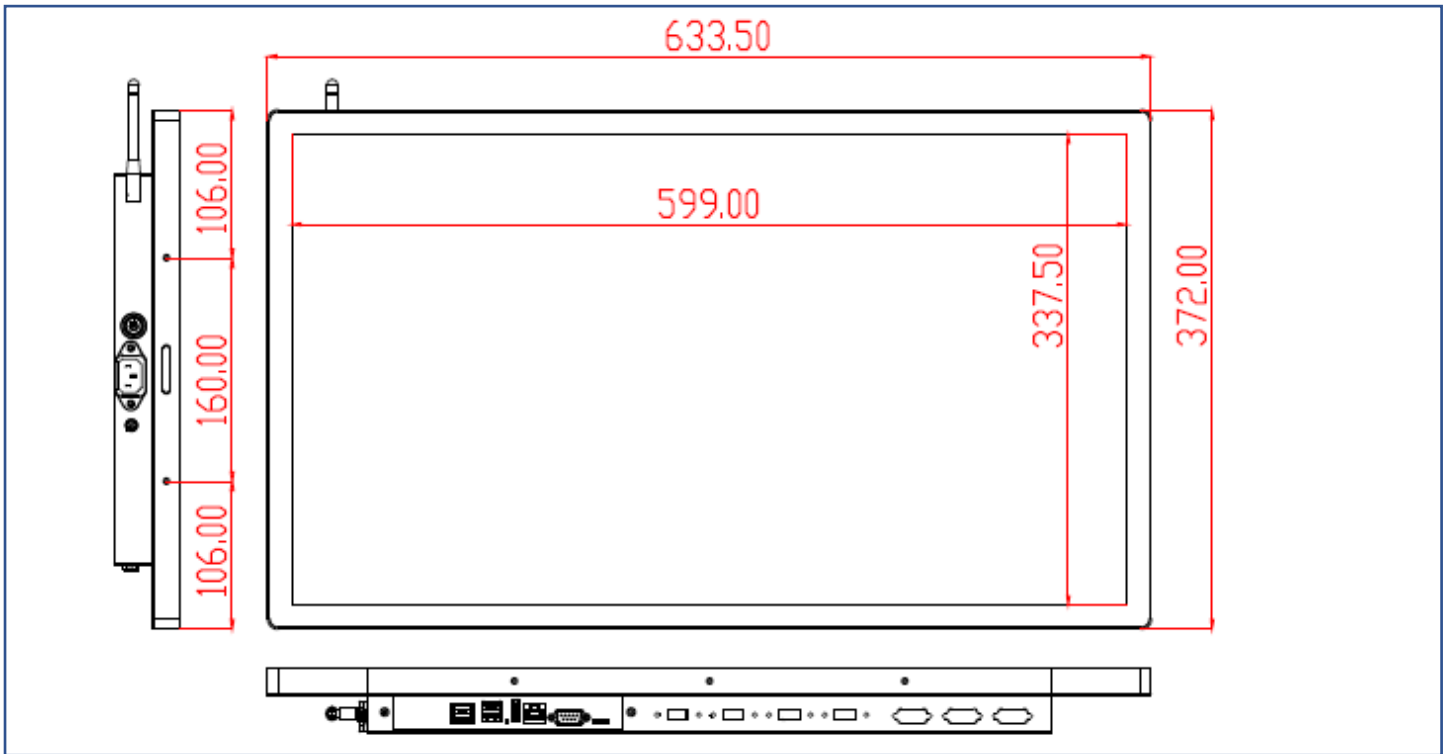
Packing Information



Unit Carton Size	806x173x530 mm
Unit N. Weight	≤7.8 KG
Unit G. Weight	≤10.1 KG
Units per Pallet	18 units
Pallet Size	120x100x179 CM

Physical Specifications

Dimension	633.5x372x47(±2)mm	Net Weight	≦ 7.8 KG
VESA Mounting	100x100 mm	Gross Weight	≦ 10.1 KG



Cosmetic Inspection Standard

Display Area Allowance			
Defect description	Defective Specifications	Allowance	Remarks
Dot Defect (including dark dot, particles, bubbles, pits, dust, foreign matter)	$D \leq 0.2\text{mm}$	Ignored	D=Diameter
	$0.2 < D \leq 0.7\text{mm}$	$N \leq 5$	N=Quantity
	$0.7 < D \leq 1\text{mm}$	$N \leq 3$	
	$D > 1\text{mm}$	$N \leq 0$	
Linear Defect (including scratches, fluff, particles)	$W \leq 0.15\text{mm}$	Ignored	W=Width
	$0.15 < W \leq 0.5\text{mm}, L \leq 15\text{mm}$	$N \leq 2$	L=Length
	$W > 0.5\text{mm}$ or $L > 15\text{mm}$	NG	

* Visual inspection distance: 60cm, 90 degree (same for front/side/back)

Front Appearance Allowance (Including Coating)			
Defect description	Defective Specifications	Allowance	Remarks
Dot Defect (including particles, bubbles, pits...etc.)	$D \leq 0.7\text{mm}$	Ignored	D=Diameter
	$0.7 < D \leq 1.5\text{mm}$	$N \leq 3$	N=Quantity
	$D > 1.5\text{mm}$	$N \leq 0$	
Linear Defect (including scratches, fluff, particles)	$W \leq 0.2\text{mm}, L \leq 15\text{mm}$	Ignored	W=Width, L=Length
	$0.2 < W \leq 0.7\text{mm}, L \leq 15\text{mm}$	$N \leq 1$	
	$W > 0.7\text{mm}$ or $L > 15\text{mm}$	NG	

Side / Back Appearance Allowance (Including Coating)			
Defect description	Defective Specifications	Allowance	Remarks
Dot Defect (including particles, bubbles, pits...etc.)	$D \leq 1.5\text{mm}$	Ignored	D=Diameter
	$1.5 < D \leq 3\text{mm}$	$N \leq 8$	N=Quantity
	$D > 3\text{mm}$	$N \leq 2$	
Linear Defect (including scratches, fluff, particles)	$W \leq 0.8\text{mm}, L \leq 15\text{mm}$	Ignored	W=Width, L=Length
	$0.8 < W \leq 1.5\text{mm}, L \leq 15\text{mm}$	$N \leq 5$	
	$W > 1.5\text{mm}$ or $L > 15\text{mm}$	NG	



Display Area
(Red Area)



Front Appearance (Red Area)



Back Appearance