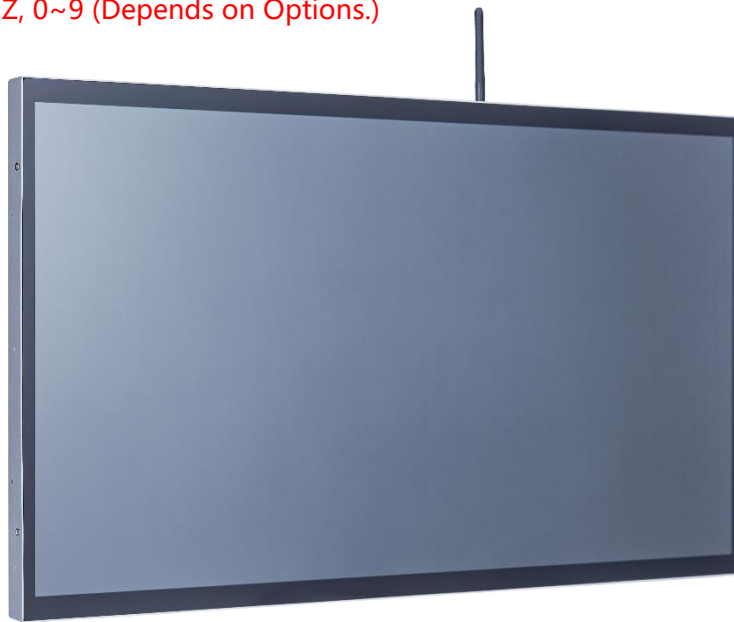


# Product Specifications

|                  |   |
|------------------|---|
| <b>Customer</b>  |   |
| <b>Model</b>     | <b>NTAP215-Q3 V500</b>                                    |
| <b>Model No.</b> | <b>NTAP215<u>XX</u>4<u>XX</u>-Q3A84FA-<u>XXXX</u>-500</b> |

\* X = A~Z, 0~9 (Depends on Options.)



| Records of Revision |                           |                                |                                |
|---------------------|---------------------------|--------------------------------|--------------------------------|
| Vision              | Modifying                 | Old Description                | New Description                |
| v2109.1             | Preliminary specification |                                |                                |
| v2109.2             | Carton modified           |                                |                                |
| v2109.3             | Android version upgraded  | Android 9                      | Android 10                     |
| v2109.4             | Stylus pen option added   |                                |                                |
| v2109.5             | New trademark released    |                                |                                |
| <b>v2109.6</b>      | <b>Hardware upgraded</b>  | <b>DDR3 Memory<br/>Wi-Fi 5</b> | <b>DDR4 Memory<br/>Wi-Fi 6</b> |

# Nextech P Series 21.5" Android All-in-one Industrial Touch PC

**NTAP215-Q3 V500**

## Features

- ★ 21.5 inch Industrial Grade Panel, 1920x1080 (FHD) Resolution
- ★ VA Wide Viewing Angle Technology , 178°/178°
- ★ Rock Chip ARM Cortex A72+A53 RK3399 Quad-Core CPU
- ★ On Board DDR4 4G Memory
- ★ On Board 16G Flash ROM (Max. upgraded to 32G)
- ★ Micro SD Card Slot x1 (Max. to 64G)
- ★ Android 10.0
- ★ Narrow Bezel, True Flat Projected Capacitive Touch Screen
- ★ 7H Hardness Tempered Cover Glass
- ★ 10 points Multi-touch, Supports NEXTECH Dedicated Stylus
- ★ Metal Cabinet with Diverse Combine Options
- ★ Made in Taiwan, 3 Years Warranty
- ★ Optional High Brightness 1500nits, for Outdoor Environment
- ★ Optional AG Coating/Antibacterial/Privacy Filter Surface Treatment



PSE



BSMI



RoHS



CE



ISO9001



FCC



Desktop Stand



Wall Mounting



Open-frame Brackets



Panel Mount

## System Specifications

|                  |   |
|------------------|---|
| CPU              | Dual Core ARM Cortex-A72 +Cortex-A53 up to 2.0GHz |
| Memory           | Samsung LPDDR4 4G                                 |
| Storage          | Samsung 16G EMMC Flash ROM (Max. to 32G)          |
| GPU Chip         | Mali-T860 GPU                                     |
| Sound Chip       | Realtek ALC662 Audio CODEC                        |
| Physical Network | 1x GbE Lan port (RJ45)                            |
| Wireless Network | Wi-Fi 6 and Blue Tooth v2.1+EDR/V3.0/V3.0+HS/V4.0 |
| OS               | Android 10.0                                      |

## Display Specifications

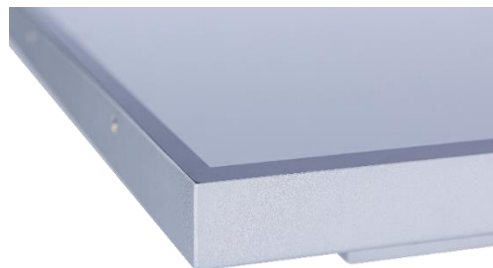
|                 |                  |                          |                           |
|-----------------|------------------|--------------------------|---------------------------|
| Screen Diagonal | 21.5 inch        | Display Mode             | AHVA Mode, Normally Black |
| Display Area    | 476.0x267.7 mm   | Backlight Unit           | LED (white LED)           |
| Resolution      | 1920x1080 (FHD)  | Viewing Angle (L/R, U/D) | 178°/178° (CR=10)         |
| Contrast Ratio  | 1000:1           | Response Time            | 22 msec.                  |
| Display Ratio   | 16:9             | Backlight Lifetime       | >50,000 Hours             |
| Support Colors  | 16.7M Colors     | Operating Temp.          | 0~50°C                    |
| Pixel Pitch     | 247.95x247.95 um | Storage Temp.            | -20~60°C                  |

## Display Options

| Brightness |            |                     |   |
|------------|------------|---------------------|---|
|            | Brightness | Environment         | Model Name                                      |
| Standard   | 250nits    | General             | NTAP215 <b>N</b> X4XX-Q3A84FA- <u>XXXX</u> -500 |
| Option 1   | 1000nits   | Outdoor Environment | NTAP215 <b>A</b> X4XX-Q3A84FA- <u>XXFX</u> -500 |
| Option 2   | 1500nits   | Sunlight Readable   | NTAP215 <b>F</b> X4XX-Q3A84FA- <u>XXFX</u> -500 |

## Touch Options

| Projected Capacitive |  |                         |           |
|----------------------|--|-------------------------|-----------|
| Model Name           | NTAP215X <u>P4XX</u> -Q3A84FA-XXXX-500 |                         |           |
| Touch Technology     | Projected Capacitive                   | Thickness of Cover Lens | 2.9±0.2mm |
| Allowed Touch Points | 10 points                              | Hardness of Cover Lens  | 7H        |
| Transparency         | ≥87%                                   | IK Ratings              | IK07      |
| Accuracy             | 99.00%                                 |                         |           |



\* True Flat, 1mm Bezel

| Non-Touch  |  |
|------------|--|
| Model Name | NTAP215X <u>04XX</u> -Q3A84FA-XXXX-500 |

| Surface Treatment |                         |   |
|-------------------|-------------------------|---|
|                   | Description             | Model Name                                  |
| <b>Standard</b>   | <b>(none)</b>           | <b>NTAP215XX4<u>00</u>-Q3A84FA-XXXX-500</b> |
| Option 1          | Anti-Glare Coating      | NTAP215XX4 <u>GG</u> -Q3A84FA-XXXX-500      |
| Option 2          | Antibacterial (AB Film) | NTAP215XX4 <u>AB</u> -Q3A84FA-XXXX-500      |
| Option 3          | Anti-Spy (AS Film)      | NTAP215XX4 <u>SF</u> -Q3A84FA-XXXX-500      |

| Passive Stylus Pen (Option) |  |
|-----------------------------|--|
| Technology                  | Passive High Sensitive Knitted Wire Mesh Fiber Tip |
| Size of tip                 | 6mm  |
| Magnetic Attachment         | Yes  |



Magnetic Attachment

## System Options

| Material of Cabinet |                 |                                      |
|---------------------|-----------------|--------------------------------------|
|                     | Description     | Model Name                           |
| <b>Standard</b>     | <b>SECC</b>     | <b>NTAP215XX4XX-Q3A84FA-SXXX-500</b> |
| Option 1            | Stainless Steel | NTAP215XX4XX-Q3A84FA-LXXX-500        |
| Option 2            | Aluminum        | NTAP215XX4XX-Q3A84FA-AXXX-500        |

| Color of Cabinet |               |                                      |
|------------------|---------------|--------------------------------------|
|                  | Description   | Model Name                           |
| <b>Standard</b>  | <b>Silver</b> | <b>NTAP215XX4XX-Q3A84FA-XSXX-500</b> |
| Option 1         | White         | NTAP215XX4XX-Q3A84FA-XWXX-500        |
| Option 2         | Black         | NTAP215XX4XX-Q3A84FA-XXBXX-500       |
| Options          | Other Color   | NTAP215XX4XX-Q3A84FA-XXX-500         |

\* X = A~Z, 0~9 (Depends on Color)

| Cooling Fan     |                           |                                      |
|-----------------|---------------------------|--------------------------------------|
|                 | Description               | Model Name                           |
| <b>Standard</b> | <b>Fanless</b>            | <b>NTAP215XX4XX-Q3A84FA-XX0X-500</b> |
| Option          | 7 Blades/4000r.p.m/28.3dB | NTAP215XX4XX-Q3A84FA-XXFX-500        |

| Power Input     |                                     |                                      |
|-----------------|-------------------------------------|--------------------------------------|
|                 | Description                         | Model Name                           |
| <b>Standard</b> | <b>12VDC-in, with AC/DC Adapter</b> | <b>NTAP215XX4XX-Q3A84FA-XXX2-500</b> |
| Option          | 100~240V AC, C14 AC Power Socket    | NTAP215XX4XX-Q3A84FA-XXXA-500        |

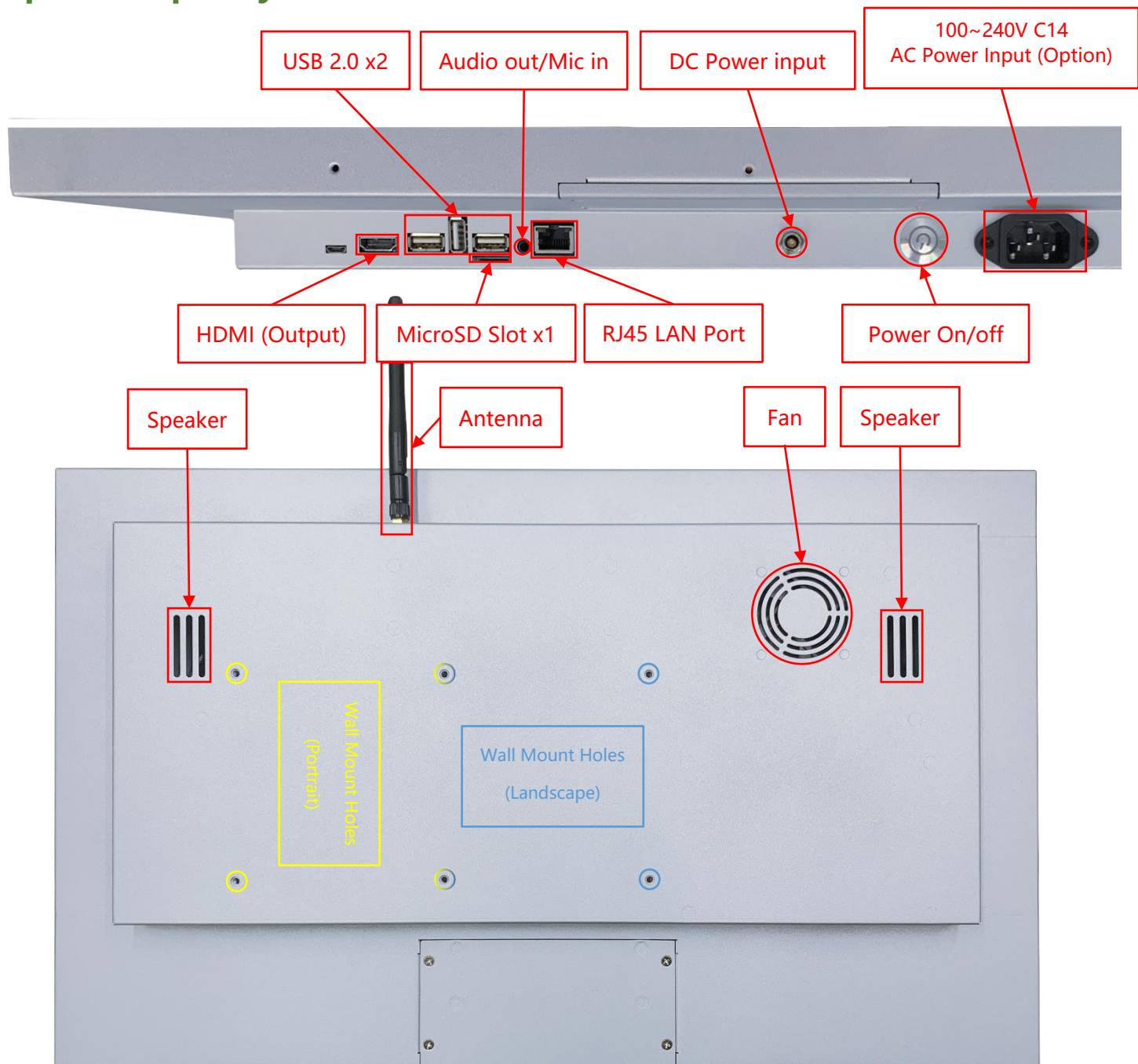


DC-in



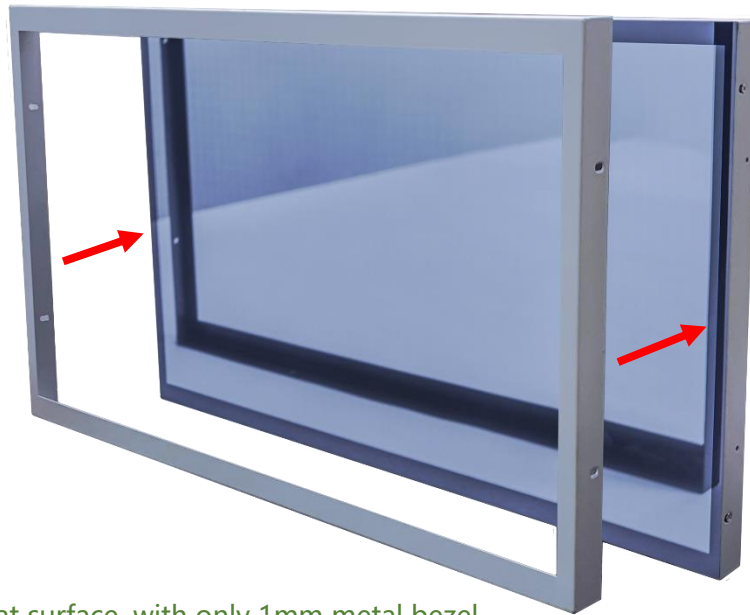
AC-in

## Input /Output System



| Input / Output                  | Connectors | Input / Output            | Connectors |
|---------------------------------|------------|---------------------------|------------|
| HDMI (Output)                   | 1          | USB 2.0                   | 3          |
| Audio Output /Mic Input (3.5mm) | 1          | MicroSD Card Slot         | 1          |
| DC Power Input                  | 1          | LAN (RJ45)                | 1          |
| AC Power Input                  | Option     | Wi-Fi/Bluetooth & Antenna | 1          |
| Speakers                        | 2W x2      |                           |            |

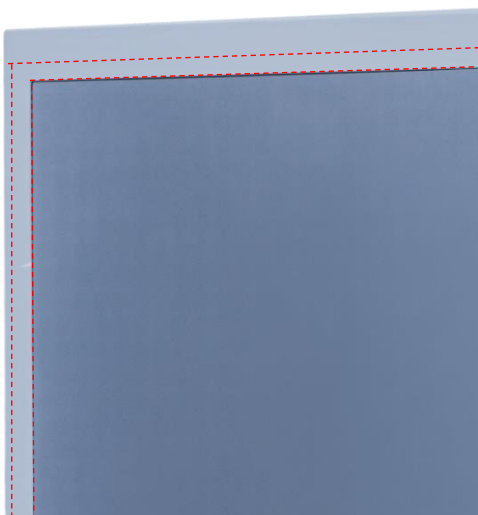
## Front Cover (Option)



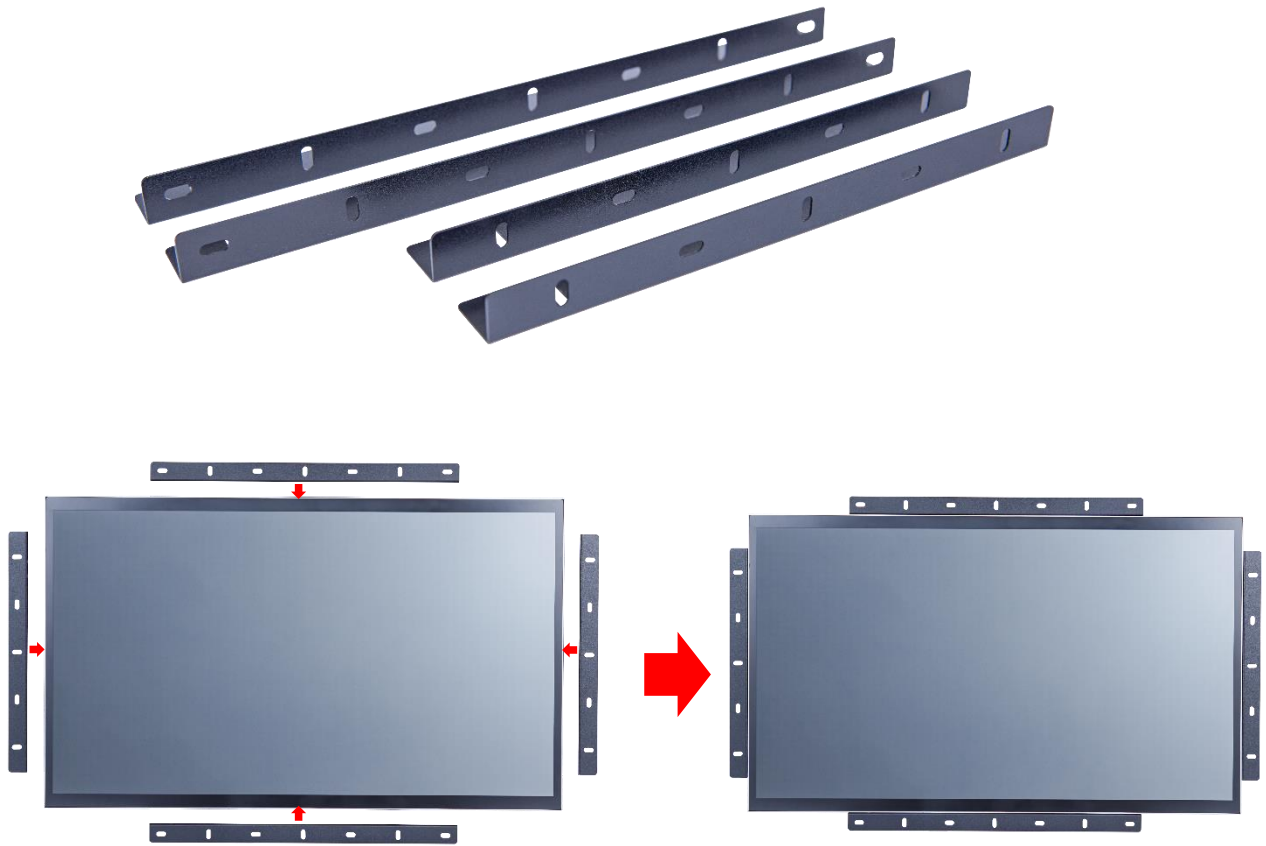
The standard **NTAP215** is true flat surface, with only 1mm metal bezel.  
To protect the corners of the touch screen, the **Front Cover** can be added.



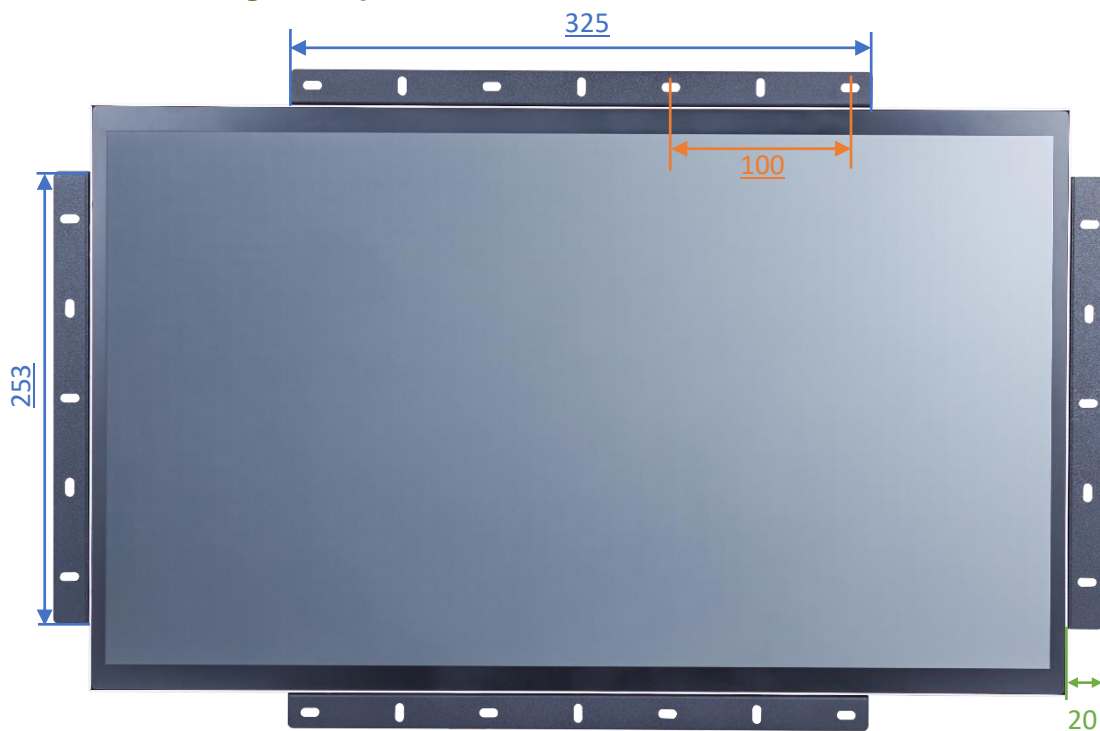
The watertight gasket can be added between the **Front Cover** and **NTAP215**.  
It complies **IP65** on front.



## Open-frame Brackets (Option)



### Dimension for Installing with Open-frame Brackets

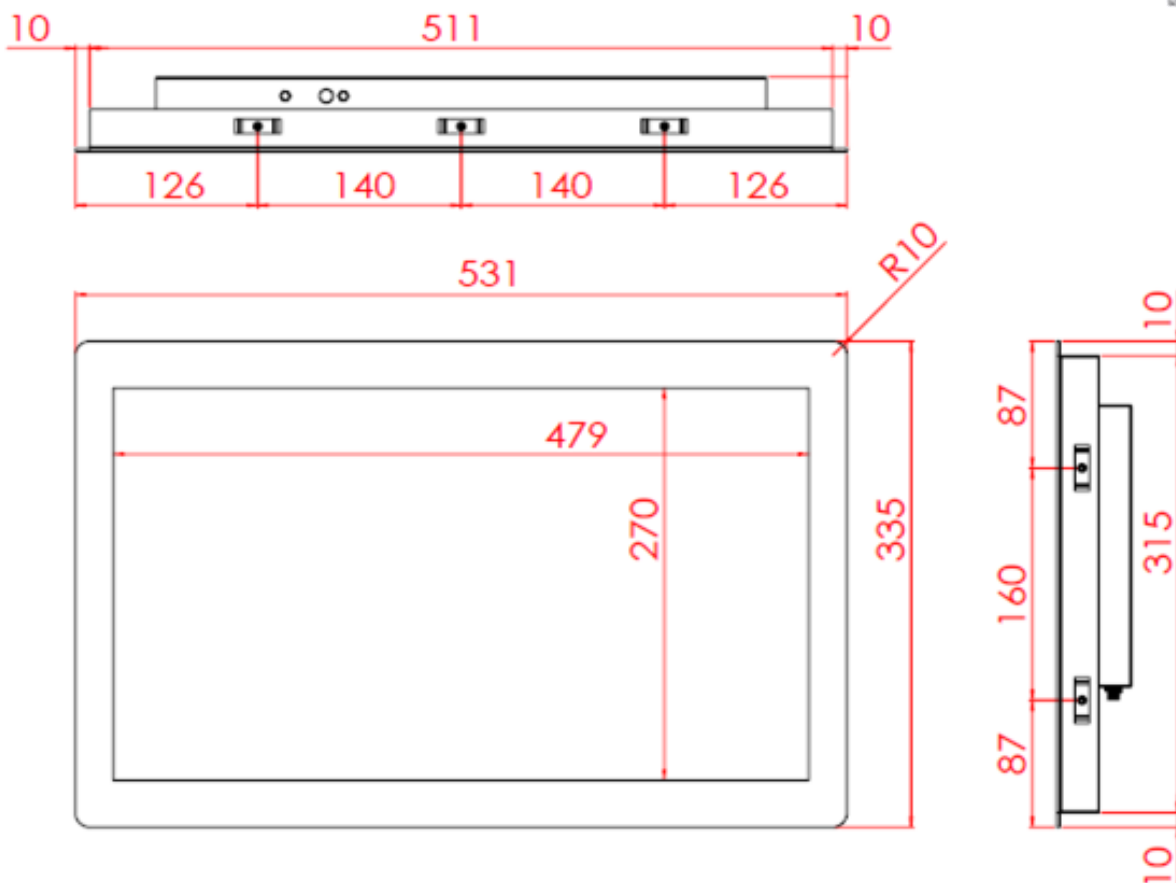




### Panel Mount Kits (Option)

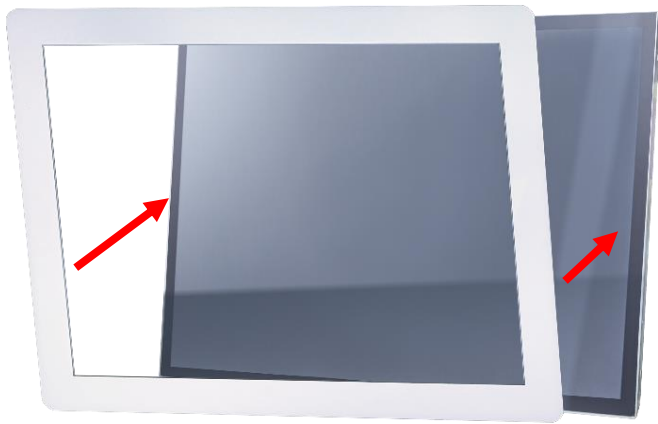


### Dimension for Installing with Panel Mount Kits

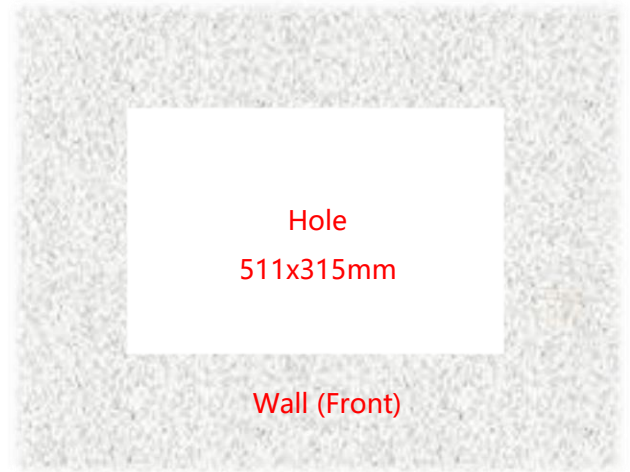


# Nextech P Series 21.5" Android All-in-one Industrial Touch PC

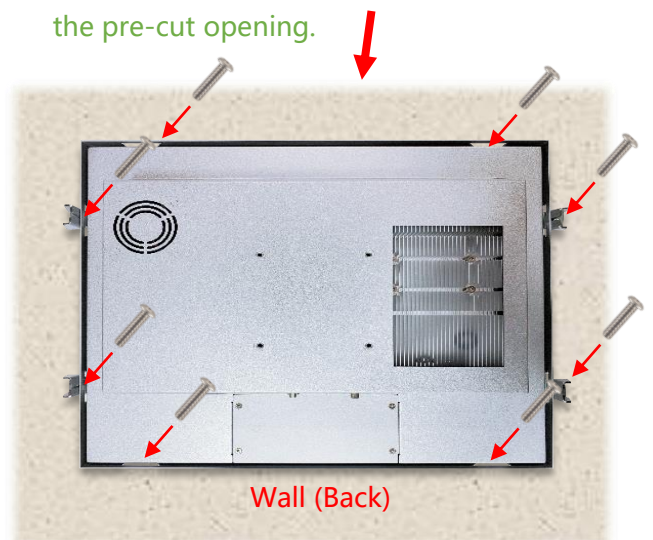
**NTAP215-Q3 V500**



Step 1: Assemble the front module with the screen body. (This step is pre-assembled at the factory.)



Step 2: Insert the screen from the front into the pre-cut opening.



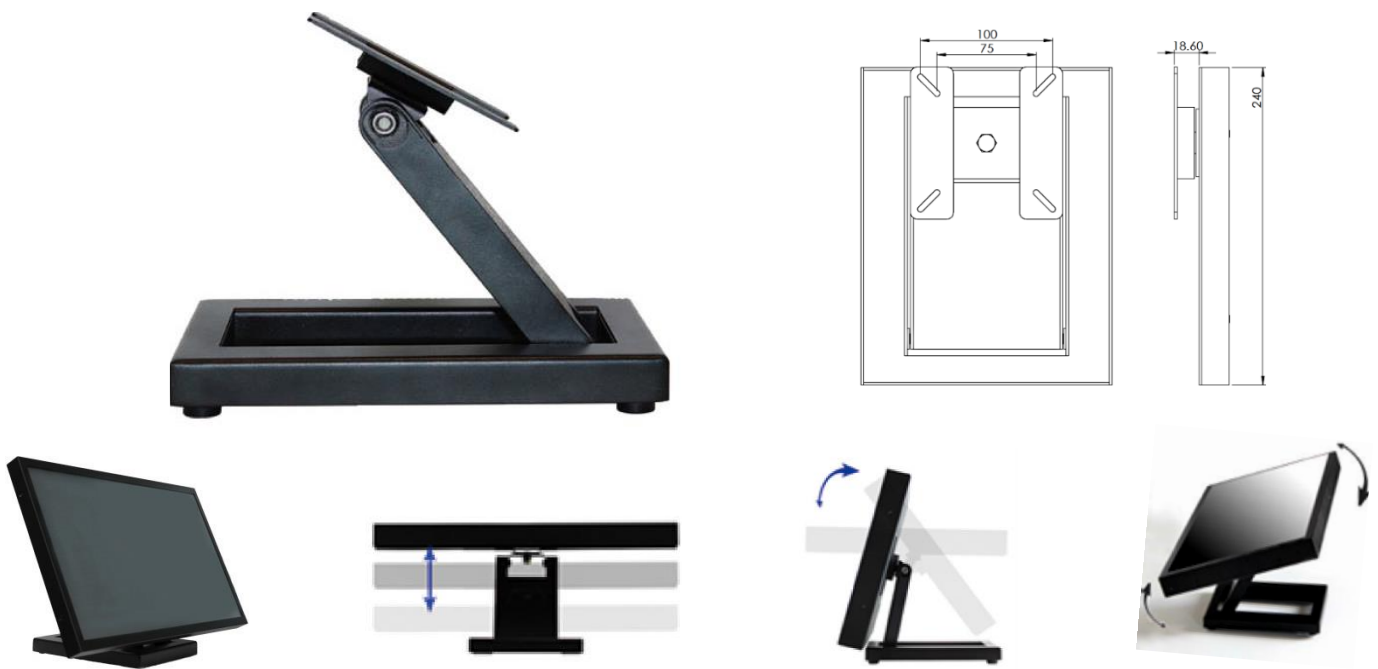
Step 3: Attach the clips from the back and secure with screws. (Up to 10 clips can be installed as needed or per positional limitations.)

### Desktop Stand (Option)

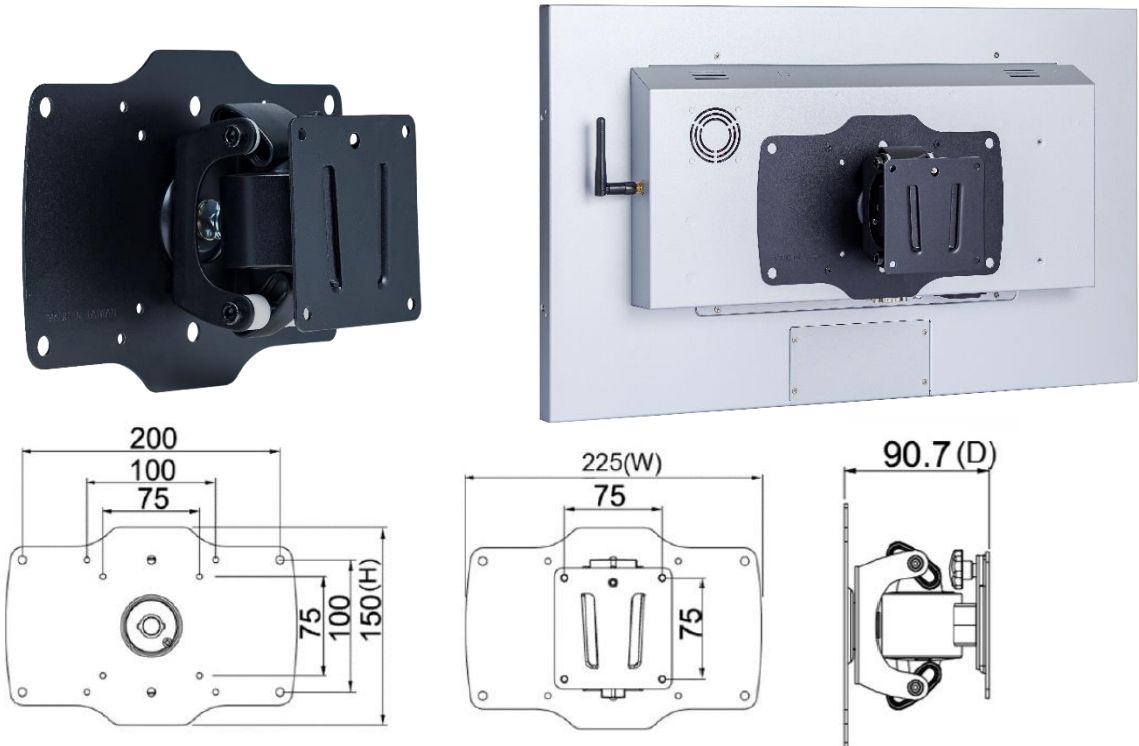
|                  |                        |                     |                     |
|------------------|------------------------|---------------------|---------------------|
| Item             | B Stand                | Part No.            | DST-0B002/DST-1B002 |
| Mounting Pattern | 100x100 / 75x75 mm     | Dimension (WxHxD)   | 203x275x227 mm      |
| Material         | Steel/Plastic/Aluminum | Net Weight          | 1.8 KG              |
| Tilt (Hinge)     | -2° ~ +180°            | Support Max. Weight | 15 KG               |



|                  |                    |                     |                     |
|------------------|--------------------|---------------------|---------------------|
| Item             | Z Stand            | Part No.            | DST-0BZ01/DST-1BZ01 |
| Mounting Pattern | 100x100 / 75x75 mm | Dimension (WxHxD)   | 190x240x41.6        |
| Material         | SECC               | Net Weight          | 2.6 KG              |
| Tilt (Hinge)     | ±360°              | Support Max. Weight | 15 KG               |



## Wall Mount Bracket (Option)



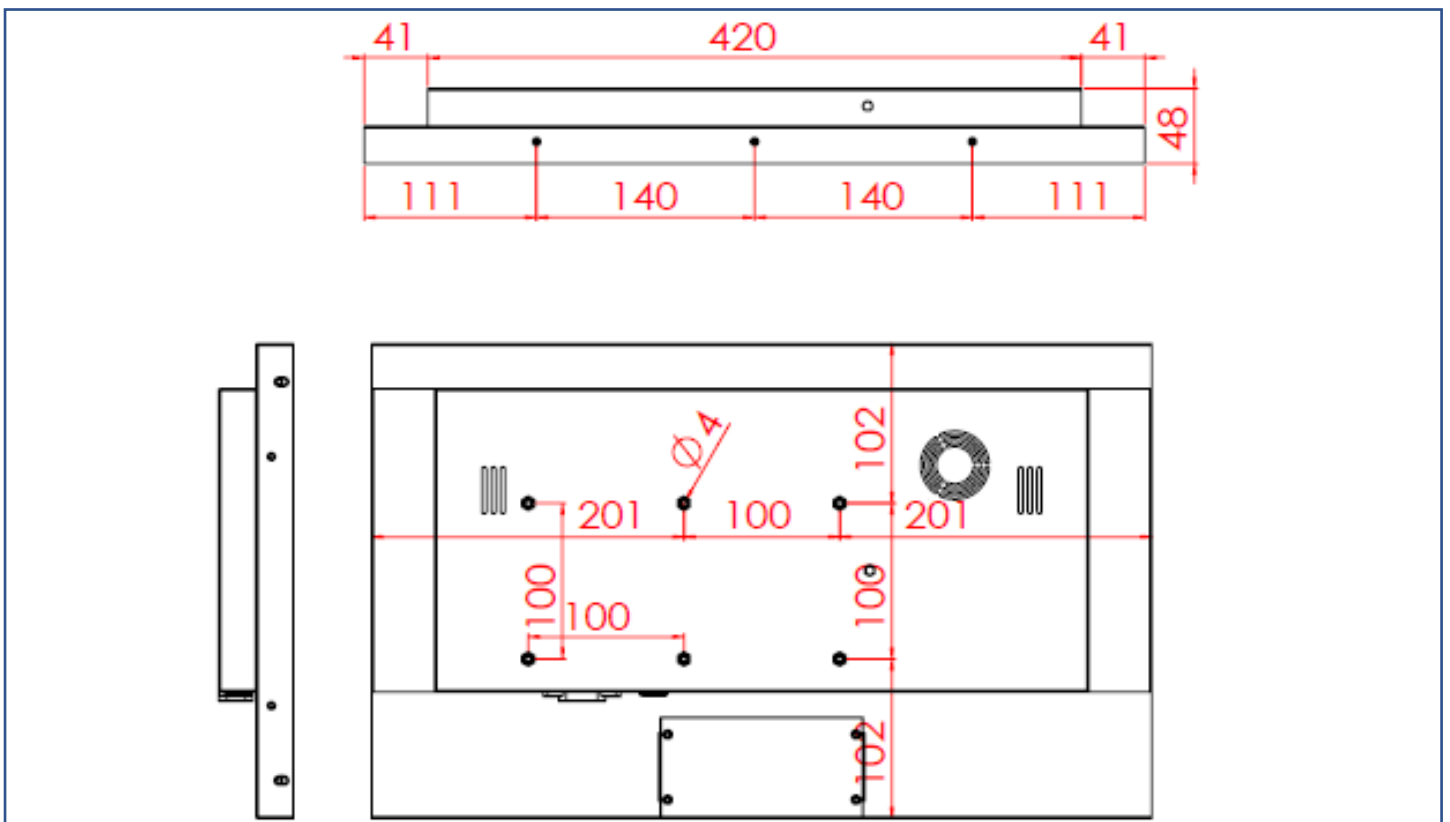
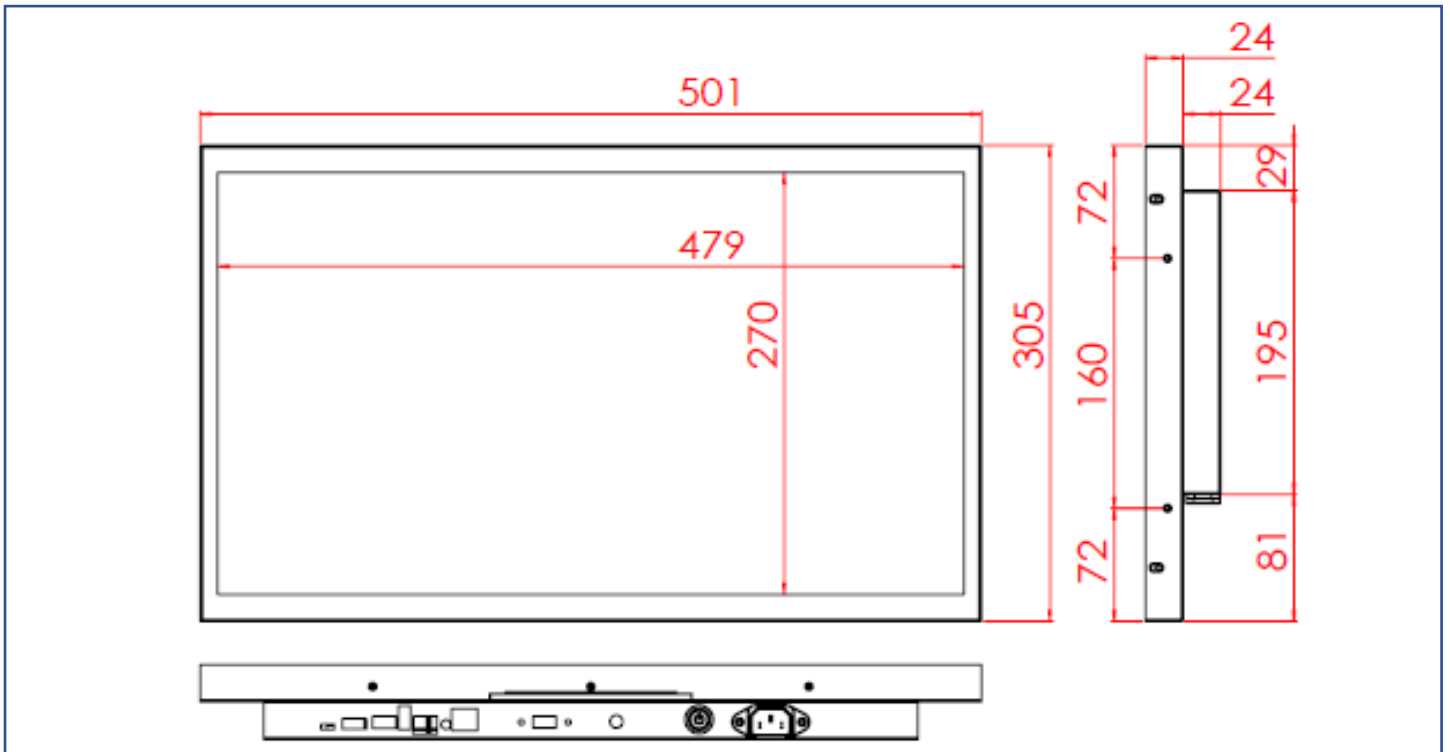
## Packing Information



|                  |                       |
|------------------|-----------------------|
| Unit Carton Size | <b>670x155x445 mm</b> |
| Unit N. Weight   | <b>≤5.1 KG</b>        |
| Unit G. Weight   | <b>≤7.2 KG</b>        |
| Units per Pallet | <b>30 units</b>       |
| Pallet Size      | <b>120x100x147 CM</b> |

## Physical Specifications

|               |                                       |              |                |
|---------------|---------------------------------------|--------------|----------------|
| Dimension     | <b>501x305x48(±2)mm (W/O Antenna)</b> | Net Weight   | <b>≤5.1 KG</b> |
| VESA Mounting | <b>100x100 mm</b>                     | Gross Weight | <b>≤7.2 KG</b> |



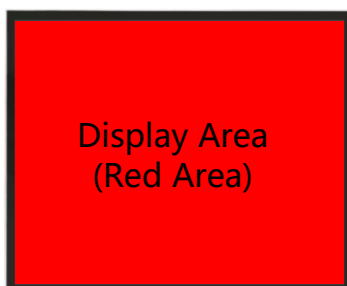
## Cosmetic Inspection Standard

| Display Area Allowance   |  |            |            |
|--|--|------------|------------|
| Defect description   | Defective Specifications                         | Allowance  | Remarks    |
| Dot Defect<br>(including dark dot, particles, bubbles, pits, dust, foreign matter) | $D \leq 0.2\text{mm}$                            | Ignored    | D=Diameter |
|  | $0.2 < D \leq 0.7\text{mm}$                      | $N \leq 5$ | N=Quantity |
|  | $0.7 < D \leq 1\text{mm}$                        | $N \leq 3$ |            |
|  | $D > 1\text{mm}$                                 | $N \leq 0$ |            |
| Linear Defect<br>(including scratches, fluff, particles)                           | $W \leq 0.15\text{mm}$                           | Ignored    | W=Width    |
|  | $0.15 < W \leq 0.5\text{mm}, L \leq 15\text{mm}$ | $N \leq 2$ | L=Length   |
|  | $W > 0.5\text{mm}$ or $L > 15\text{mm}$          | NG         |            |

\* Visual inspection distance: 60cm, 90 degree (same for front/side/back)

| Front Appearance Allowance (Including Coating)            |   |            |                   |
|---|---|------------|-------------------|
| Defect description  | Defective Specifications                        | Allowance  | Remarks           |
| Dot Defect<br>(including particles, bubbles, pits...etc.) | $D \leq 0.7\text{mm}$                           | Ignored    | D=Diameter        |
|   | $0.7 < D \leq 1.5\text{mm}$                     | $N \leq 3$ | N=Quantity        |
|   | $D > 1.5\text{mm}$                              | $N \leq 0$ |                   |
| Linear Defect<br>(including scratches, fluff, particles)  | $W \leq 0.2\text{mm}, L \leq 15\text{mm}$       | Ignored    | W=Width, L=Length |
|   | $0.2 < W \leq 0.7\text{mm}, L \leq 15\text{mm}$ | $N \leq 1$ |                   |
|   | $W > 0.7\text{mm}$ or $L > 15\text{mm}$         | NG         |                   |

| Side / Back Appearance Allowance (Including Coating)      |   |            |                   |
|---|---|------------|-------------------|
| Defect description  | Defective Specifications                        | Allowance  | Remarks           |
| Dot Defect<br>(including particles, bubbles, pits...etc.) | $D \leq 1.5\text{mm}$                           | Ignored    | D=Diameter        |
|   | $1.5 < D \leq 3\text{mm}$                       | $N \leq 8$ | N=Quantity        |
|   | $D > 3\text{mm}$                                | $N \leq 2$ |                   |
| Linear Defect<br>(including scratches, fluff, particles)  | $W \leq 0.8\text{mm}, L \leq 15\text{mm}$       | Ignored    | W=Width, L=Length |
|   | $0.8 < W \leq 1.5\text{mm}, L \leq 15\text{mm}$ | $N \leq 5$ |                   |
|   | $W > 1.5\text{mm}$ or $L > 15\text{mm}$         | NG         |                   |



Display Area  
(Red Area)



Front Appearance (Red Area)



Back Appearance