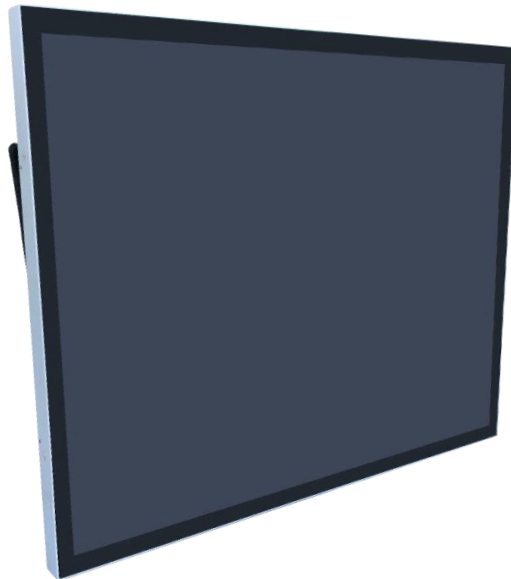


# Product Specifications

<b>Customer</b>	
<b>Model</b>	<b>NTAP190-1 V500</b>
<b>Name</b>	<b>NTAP190<u>XXSXX</u>-J8A72F8-<u>XXXX</u>-500</b>

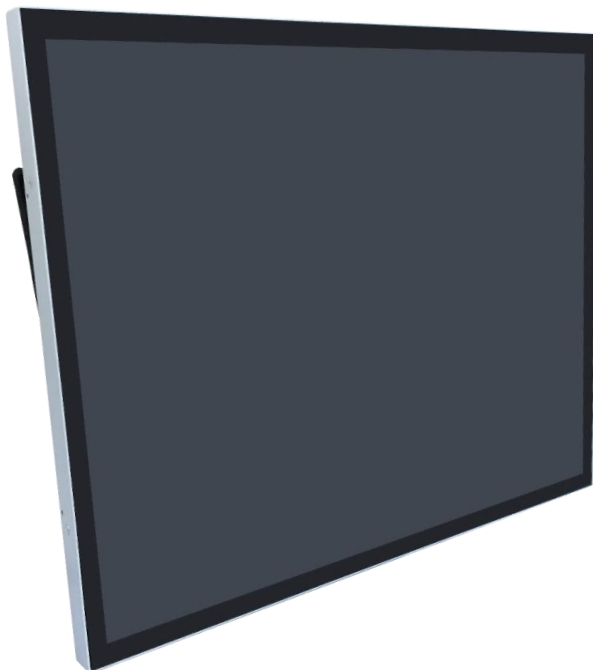
\* X = A~Z, 0~9 (Depends on Options.)



Records of Revision			
Vision	Modifying	Old Description	New Description
v2012.1	Preliminary Specification		
v2012.2	Add the Panel Mount Kits Option		
v2012.3	Add Stylus Pen Option		
<b>v2012.4</b>	<b>New trademark released</b>		

## Features

- ★ 19 inch, 1280x1024 Resolution
- ★ Rock Chip ARM Cortex A17 RK3288 Quad-Core 1.8GHz CPU
- ★ On Board DDR3-1333 2G RAM (Max. upgraded to 4G)
- ★ On Board 8G Flash ROM (Max. upgraded to 32G)
- ★ Micro SD Card Slot x1 (Max. to 64G)
- ★ Android 9.0
- ★ Narrow Bezel, True Flat Projected Capacitive Touch Screen
- ★ 7H Hardness Tempered Cover Glass
- ★ 10 points Multi-touch, Supports NEXTECH Dedicated Stylus
- ★ Metal Cabinet with Diverse Combine Options
- ★ Made in Taiwan, 3 Years Warranty
- ★ Optional High Brightness 1500nits, for Outdoor Environment
- ★ Optional AG Coating/Antibacterial/Privacy Filter Surface Treatment



Desktop Stand



Wall Mounting



Open-frame Bracket



Panel Mount

## System Specifications

CPU	Rock Chip ARM Cortex A17 RK3288 Quad-Core 1.8GHz
Memory	DDR3-1333 2G
Storage	8G Flash ROM (Max. to 32G)
GPU Chip	Mali T764 GPU
Sound Chip	ES8316 2 Channel HD Audio
Physical Network	Realtek RTL8211E-CB Gbe (RJ45)
Wireless Network	Realtek RTL8723BS 802.11b/g/n 2.4G WIFI and Blue Tooth v4.0
Hardware Monitoring	RJ45 10/100 Mbps, WIFI 802.11b/g/n
OS	Android 9.0

## Display Specifications

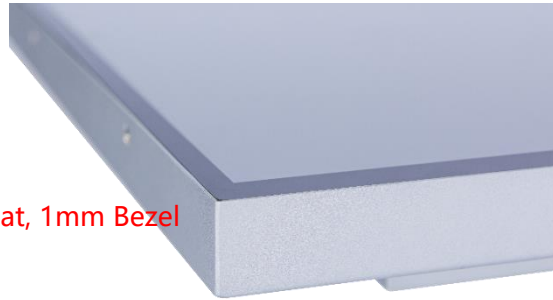
Screen Diagonal	482.6mm (19.0 inch)	Display Mode	TN Mode, Normally White
Display Area	376.3x301.1	Backlight Unit	LED (white LED)
Resolution	1280x1024	Viewing Angle (L/R, U/D)	170°/160°
Contrast Ratio	1000:1	Response Time	5 msec.
Display Ratio	4:3	Backlight Lifetime	>30,000 Hours
Support Colors	16.7M Colors	Operating Temp.	0~50°C
Pixel Pitch	294x294 um	Storage Temp.	-20~60°C

## Display Options

Brightness			
	Brightness	Environment	Model Name
Standard	250nits	General (Indoor)	NTAP190 <u>N</u> X <u>S</u> X <u>X</u> -J8A72F8- <u>X</u> <u>X</u> <u>X</u> <u>X</u> -500
Option 1	1000nits	Outdoor Environment	NTAP190 <u>A</u> X <u>S</u> X <u>X</u> -J8A72F8- <u>X</u> <u>X</u> <u>F</u> <u>X</u> -500
Option 2	1500nits	Sunlight Readable	NTAP190 <u>F</u> X <u>S</u> X <u>X</u> -J8A72F8- <u>X</u> <u>X</u> <u>F</u> <u>X</u> -500

## Touch Options

Projected Capacitive			
Model Name	NTAP190X <u>PSXX</u> -J8A72F8- <u>XXXX</u> -500		
Touch Technology	Projected Capacitive	Thickness of Cover Lens	1.8±0.2mm
Allowed Touch Points	10 points	Hardness of Cover Lens	7H
Transparency	≥87%	IK Ratings	IK07
Accuracy	99.00%		

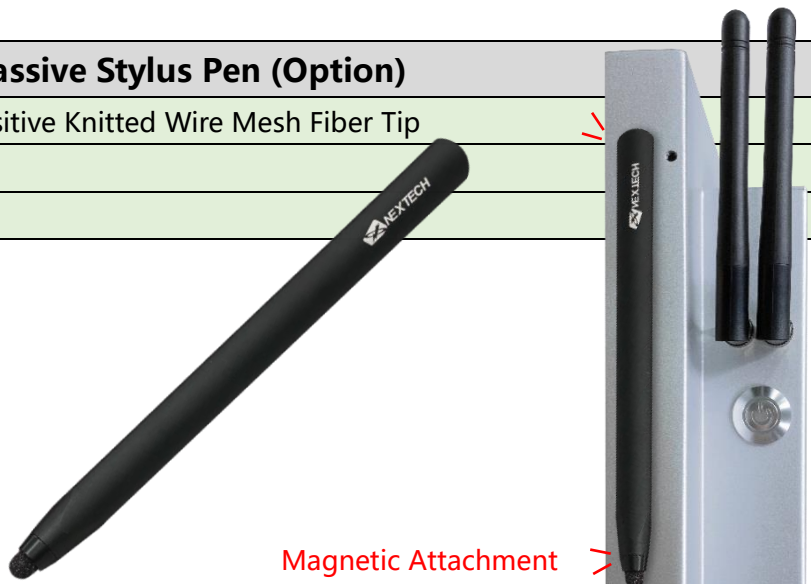


\* True Flat, 1mm Bezel

Non-Touch	
Model Name	NTAP190X <u>0SXX</u> -J8A72F8- <u>XXXX</u> -500

Surface Treatment		
	Description	Model Name
<b>Standard</b>	<b>(none)</b>	<b>NTAP190X<u>XS00</u>-J8A72F8-<u>XXXX</u>-500</b>
Option 1	Anti-Glare Coating	NTAP190X <u>SGG</u> -J8A72F8- <u>XXXX</u> -500
Option 2	Antibacterial (AB Film)	NTAP190X <u>SAB</u> -J8A72F8- <u>XXXX</u> -500
Option 3	Anti-Spy (AS Film)	NTAP190X <u>SF</u> -J8A72F8- <u>XXXX</u> -500

Passive Stylus Pen (Option)	
Technology	Passive High Sensitive Knitted Wire Mesh Fiber Tip
Size of tip	6mm
Magnetic Attachment	Yes



Magnetic Attachment

## System Options

Material of Cabinet		
	Description	Model Name
<b>Standard</b>	<b>SECC</b>	<b>NTAP190XXSXX-J8A72F8-SXXX-500</b>
Option 1	Stainless Steel	NTAP190XXSXX-J8A72F8-LXXX-500
Option 2	Aluminum	NTAP190XXSXX-J8A72F8-AXXX-500

Color of Cabinet		
	Description	Model Name
<b>Standard</b>	<b>Silver</b>	<b>NTAP190XXSXX-J8A72F8-XSXX-500</b>
Option 1	White	NTAP190XXSXX-J8A72F8-XWXX-500
Option 2	Black	NTAP190XXSXX-J8A72F8-XXBXX-500
Options	Other Color	NTAP190XXSXX-J8A72F8-XXX-500

\* X = A~Z, 0~9 (Depends on Color)

Cooling Fan		
	Description	Model Name
<b>Standard</b>	<b>7 Blades/4000r.p.m/28.3dB</b>	<b>NTAP190XXSXX-J8A72F8-XXFX-500</b>
Option	Fanless	NTAP190XXSXX-J8A72F8-XX0X-500

Power Input		
	Description	Model Name
<b>Standard</b>	<b>12VDC-in, with AC/DC Adapter</b>	<b>NTAP190XXSXX-J8A72F8-XXX2-500</b>
Option	100~240VAC, C14 AC Power Socket	NTAP190XXSXX-J8A72F8-XXXA-500

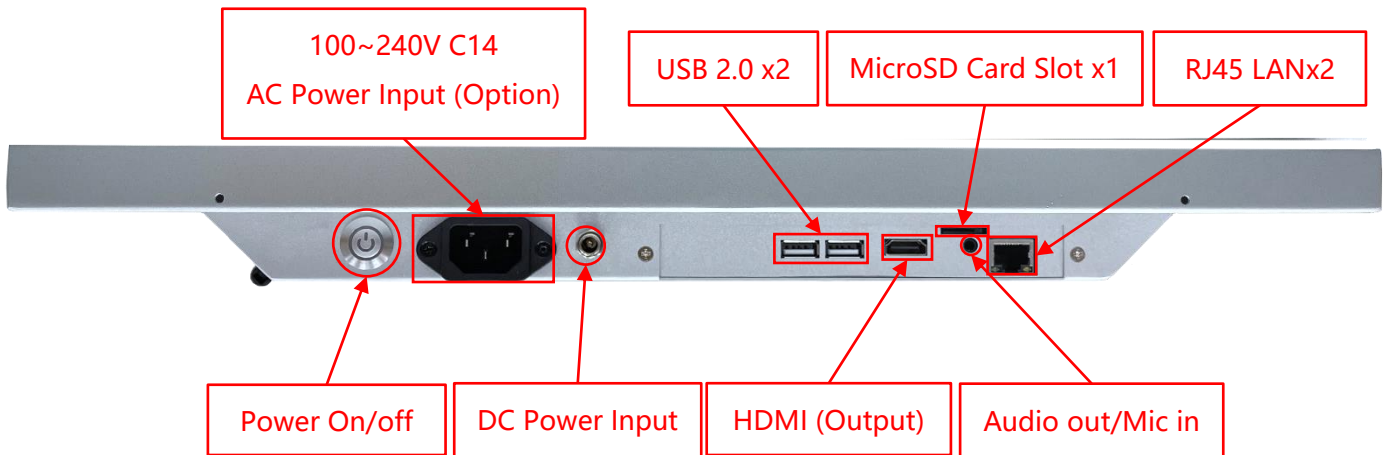


DC-in

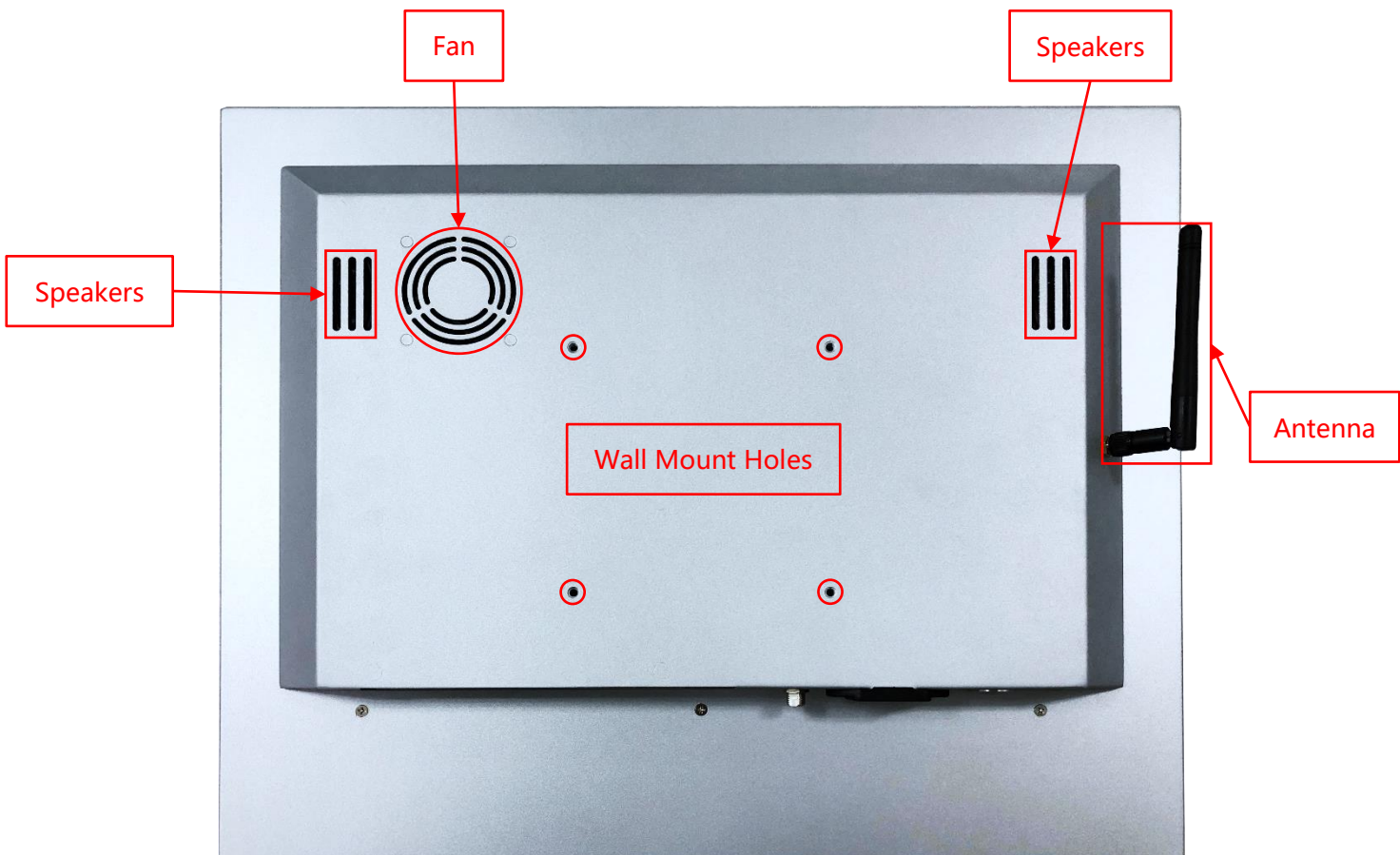


AC-in

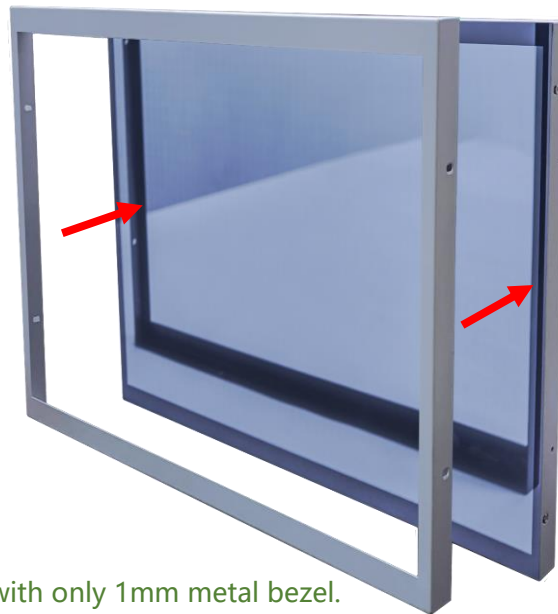
## Input /Output System



Input / Output	Connectors	Input / Output	Connectors
HDMI (Output)	1	USB 2.0	2
Audio Output /Mic Input (3.5mm)	1	MicroSD Card Slot	1
DC Power Input	1	LAN (RJ45)	1
AC Power Input	Option	Wi-Fi/Bluetooth & Antenna	1
Speakers	2W x2		



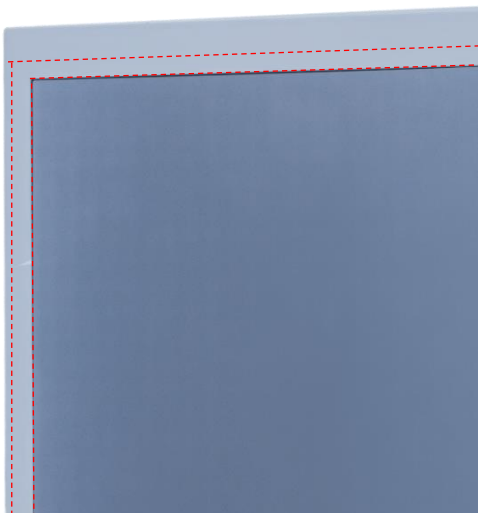
## Front Cover (Option)



The standard **NTAP190** is true flat surface, with only 1mm metal bezel.  
To protect the corners of the touch screen, the **Front Cover** can be added.

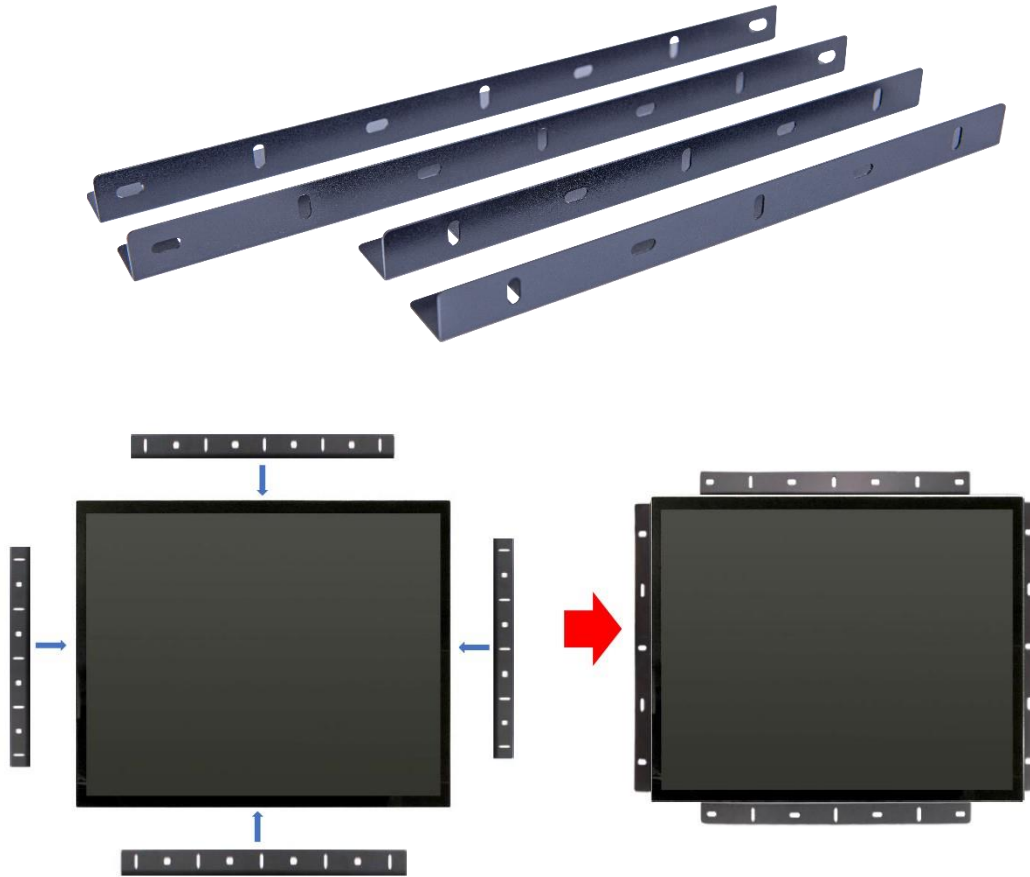


The watertight gasket can be added between the **Front Cover** and **NTAP190**.  
It complies **IP65** on front.

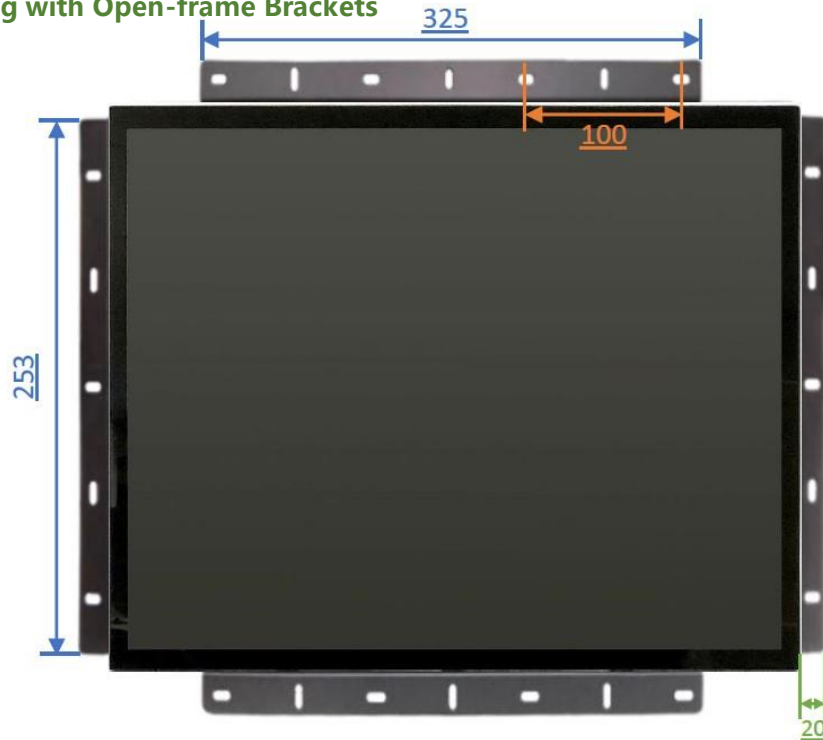




## Open-frame Brackets (Option)

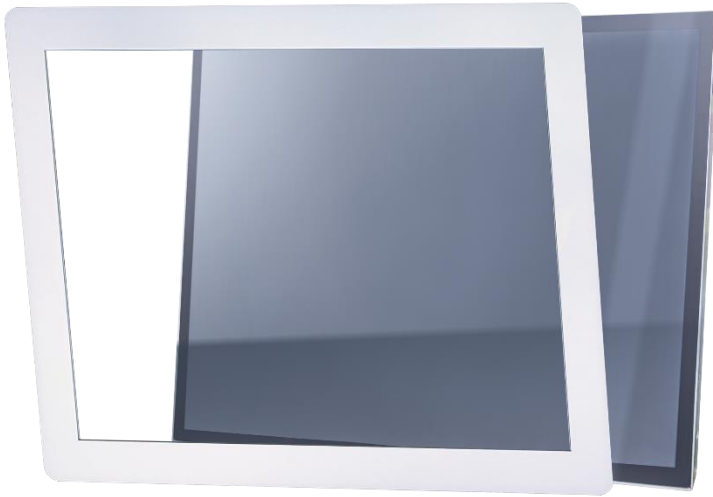


### Dimension for Installing with Open-frame Brackets

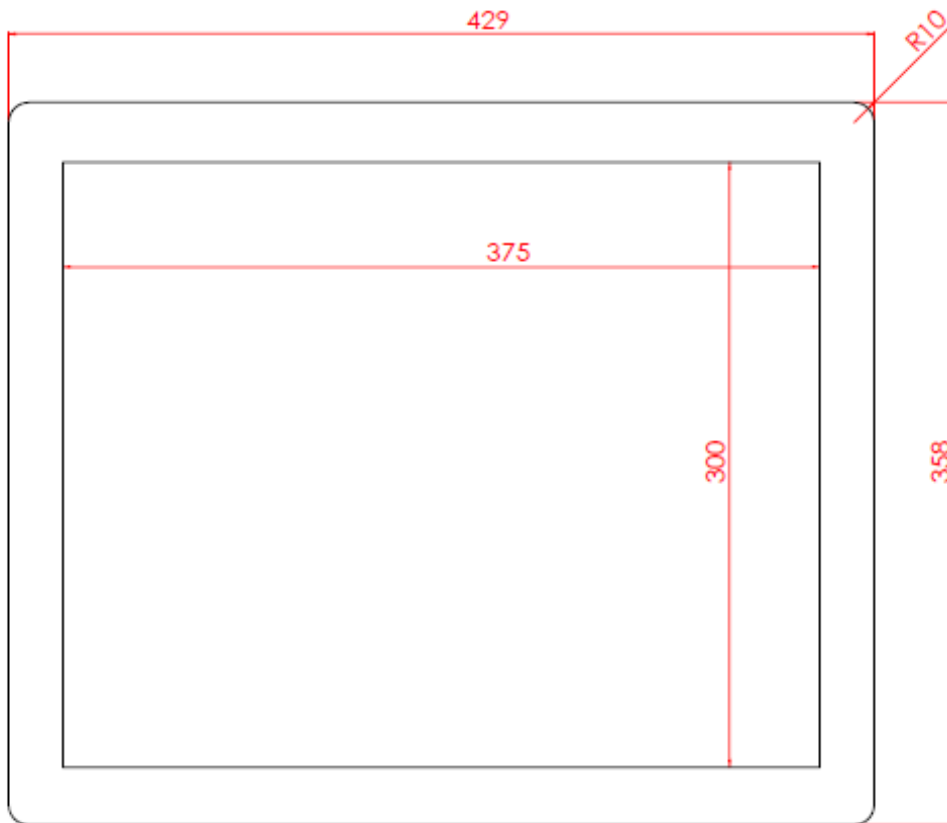
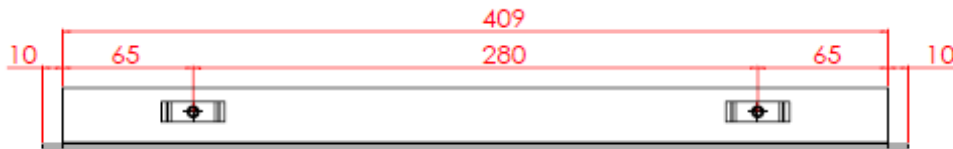


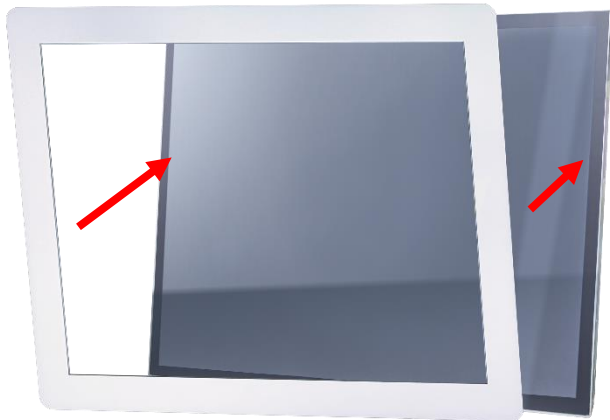


### Panel Mount Kits (Option)

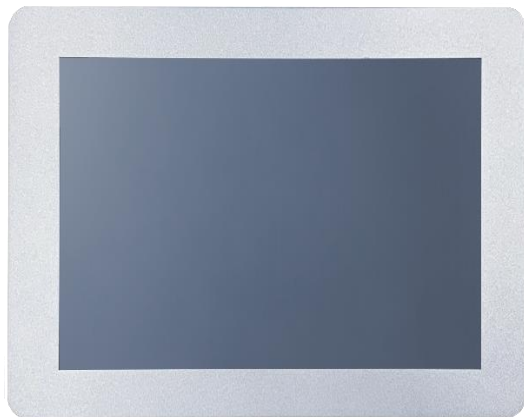
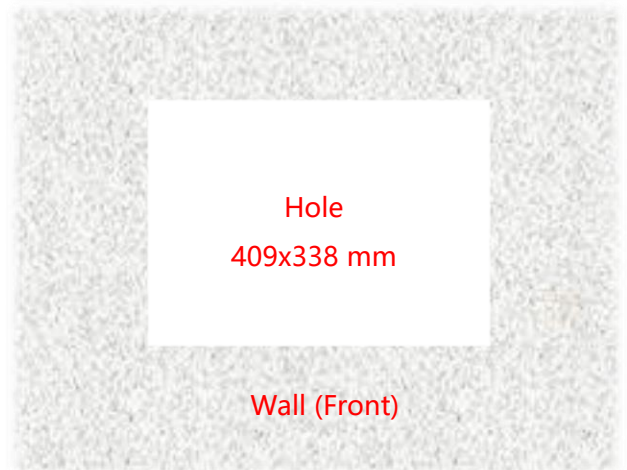


### Dimension for Installing with Panel Mount Kit

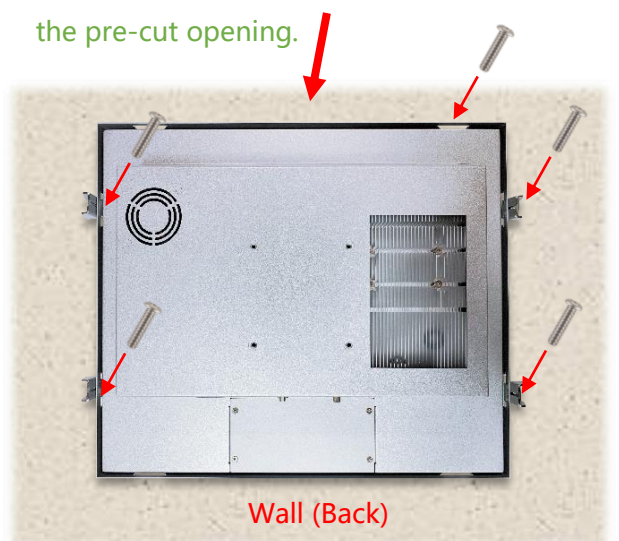




Step 1: Assemble the front module with the screen body. (This step is pre-assembled at the factory.)



Step 2: Insert the screen from the front into the pre-cut opening.



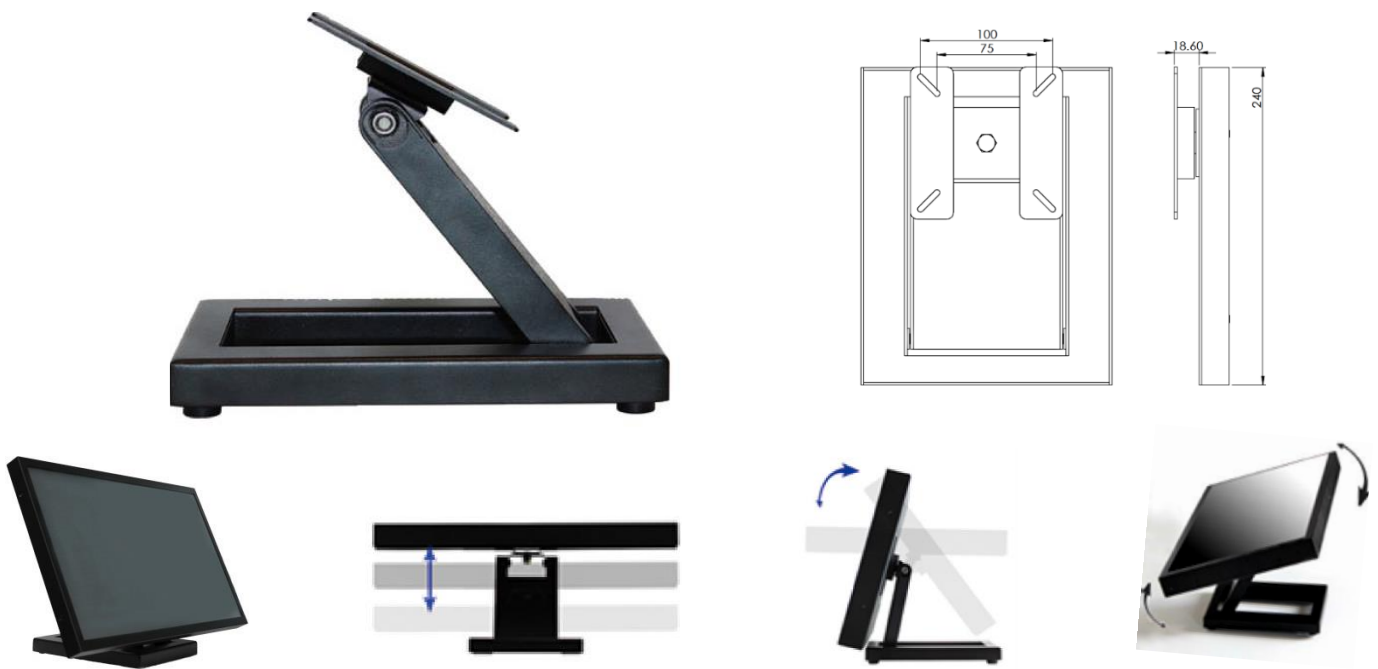
Step 3: Attach the clips from the back and secure with screws. (Up to 10 clips can be installed as needed or per positional limitations.)

### Desktop Stand (Option)

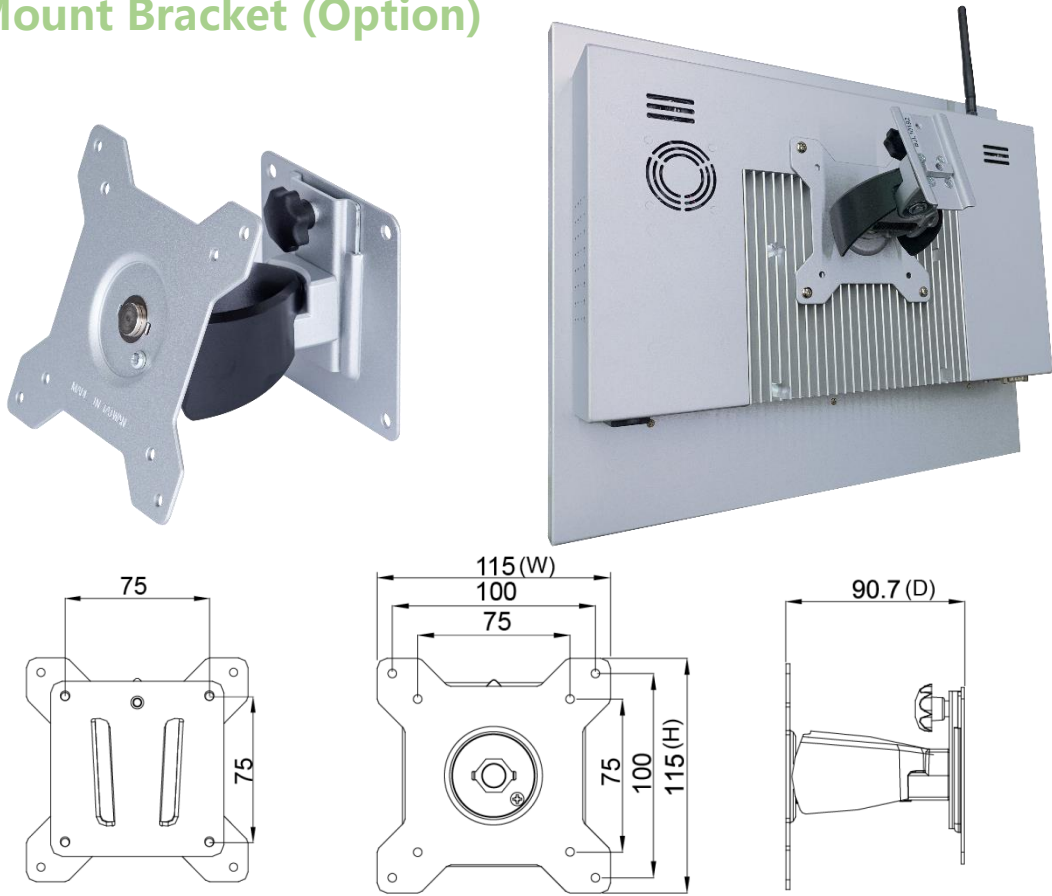
Item	B Stand	Part No.	DST-0B002/DST-1B002
Mounting Pattern	100x100 / 75x75 mm	Dimension (WxHxD)	203x275x227 mm
Material	Steel/Plastic/Aluminum	Net Weight	1.8 KG
Tilt (Hinge)	-2° ~ +180°	Support Max. Weight	15 KG



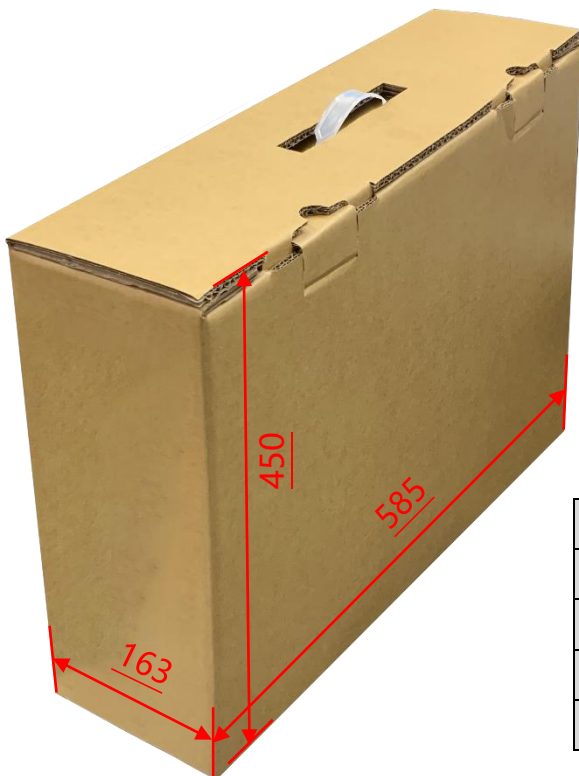
Item	Z Stand	Part No.	DST-0BZ01/DST-1BZ01
Mounting Pattern	100x100 / 75x75 mm	Dimension (WxHxD)	190x240x41.6
Material	SECC	Net Weight	2.6 KG
Tilt (Hinge)	±360°	Support Max. Weight	15 KG



**Wall Mount Bracket (Option)**



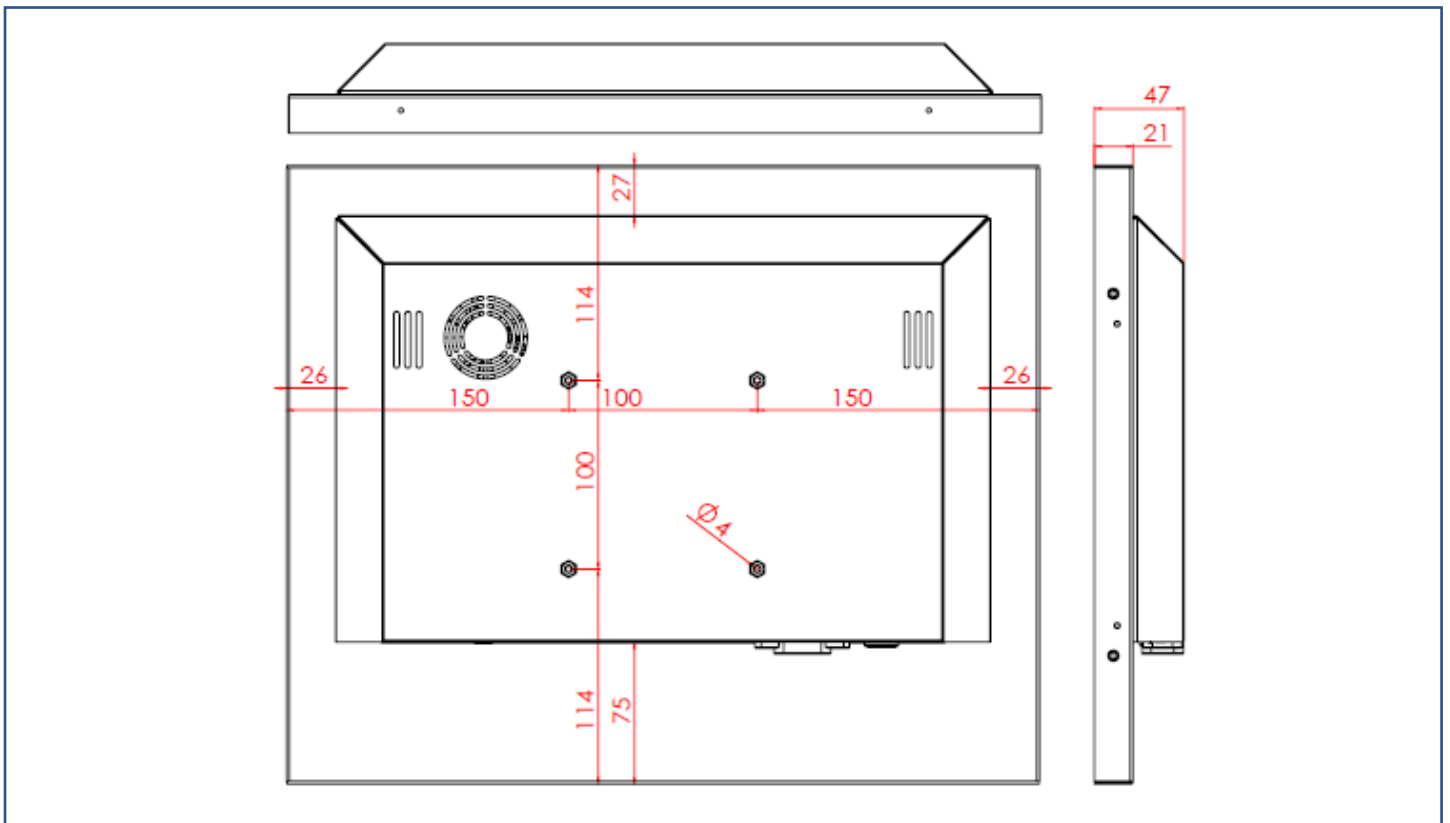
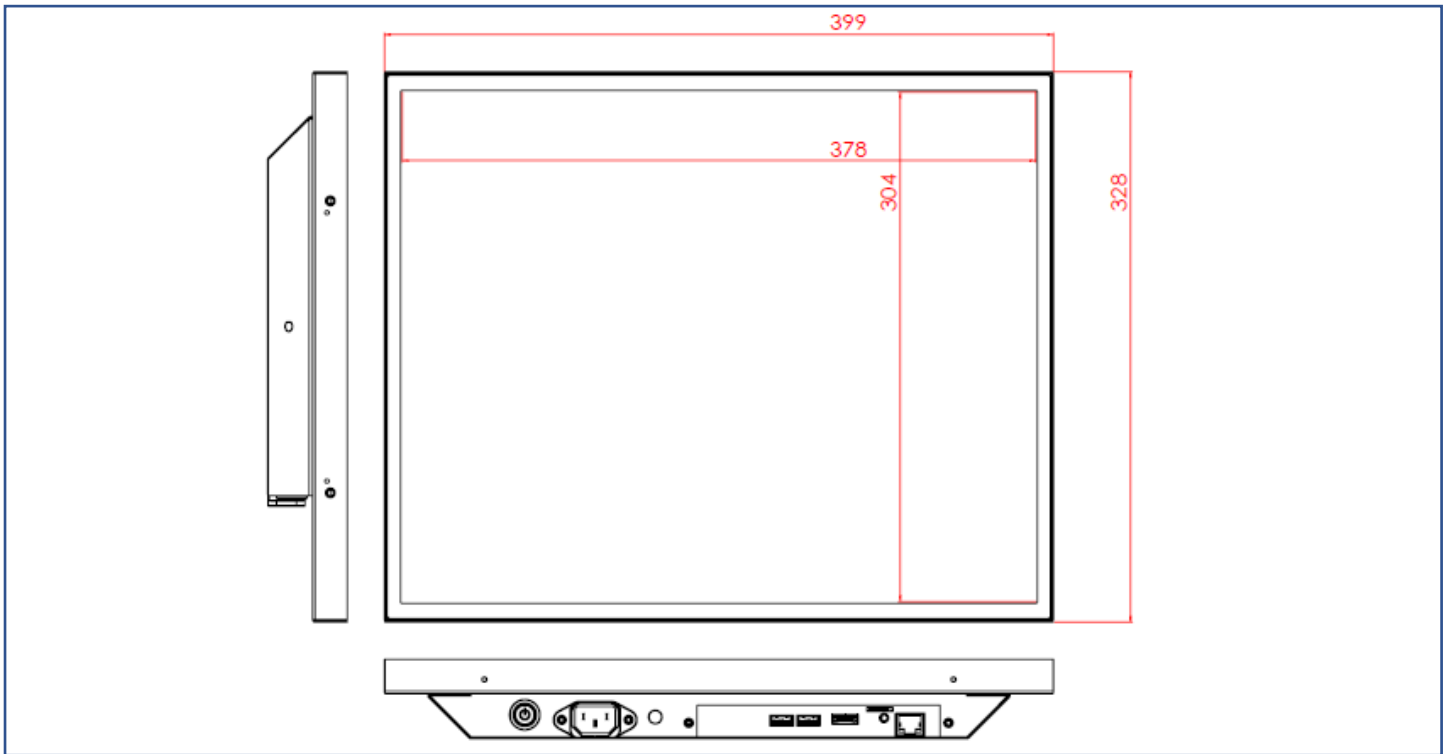
**Packing Information**



Unit Carton Size	<b>585x163x450 mm</b>
Unit N. Weight	<b>≤4.5 KG</b>
Unit G. Weight	<b>≤5.1 KG</b>
Units per Pallet	<b>36 units</b>
Pallet Size	<b>120x100x147 CM</b>

## Physical Specifications

Dimension	<b>399x328x47(±2)mm (W/O Antenna)</b>	Net Weight	<b>≤4.5 KG</b>
VESA Mounting	<b>100x100 mm</b>	Gross Weight	<b>≤5.1 KG</b>



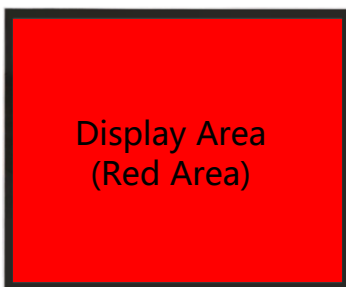
## Cosmetic Inspection Standard

Display Area Allowance			
Defect description	Defective Specifications	Allowance	Remarks
Dot Defect (including dark dot, particles, bubbles, pits, dust, foreign matter)	$D \leq 0.2\text{mm}$	Ignored	D=Diameter
	$0.2 < D \leq 0.7\text{mm}$	$N \leq 5$	N=Quantity
	$0.7 < D \leq 1\text{mm}$	$N \leq 3$	
	$D > 1\text{mm}$	$N \leq 0$	
Linear Defect (including scratches, fluff, particles)	$W \leq 0.15\text{mm}$	Ignored	W=Width
	$0.15 < W \leq 0.5\text{mm}, L \leq 15\text{mm}$	$N \leq 2$	L=Length
	$W > 0.5\text{mm}$ or $L > 15\text{mm}$	NG	

\* Visual inspection distance: 60cm, 90 degree (same for front/side/back)

Front Appearance Allowance (Including Coating)			
Defect description	Defective Specifications	Allowance	Remarks
Dot Defect (including particles, bubbles, pits...etc.)	$D \leq 0.7\text{mm}$	Ignored	D=Diameter
	$0.7 < D \leq 1.5\text{mm}$	$N \leq 3$	N=Quantity
	$D > 1.5\text{mm}$	$N \leq 0$	
Linear Defect (including scratches, fluff, particles)	$W \leq 0.2\text{mm}, L \leq 15\text{mm}$	Ignored	W=Width, L=Length
	$0.2 < W \leq 0.7\text{mm}, L \leq 15\text{mm}$	$N \leq 1$	
	$W > 0.7\text{mm}$ or $L > 15\text{mm}$	NG	

Side / Back Appearance Allowance (Including Coating)			
Defect description	Defective Specifications	Allowance	Remarks
Dot Defect (including particles, bubbles, pits...etc.)	$D \leq 1.5\text{mm}$	Ignored	D=Diameter
	$1.5 < D \leq 3\text{mm}$	$N \leq 8$	N=Quantity
	$D > 3\text{mm}$	$N \leq 2$	
Linear Defect (including scratches, fluff, particles)	$W \leq 0.8\text{mm}, L \leq 15\text{mm}$	Ignored	W=Width, L=Length
	$0.8 < W \leq 1.5\text{mm}, L \leq 15\text{mm}$	$N \leq 5$	
	$W > 1.5\text{mm}$ or $L > 15\text{mm}$	NG	



Display Area  
(Red Area)



Front Appearance (Red Area)



Back Appearance